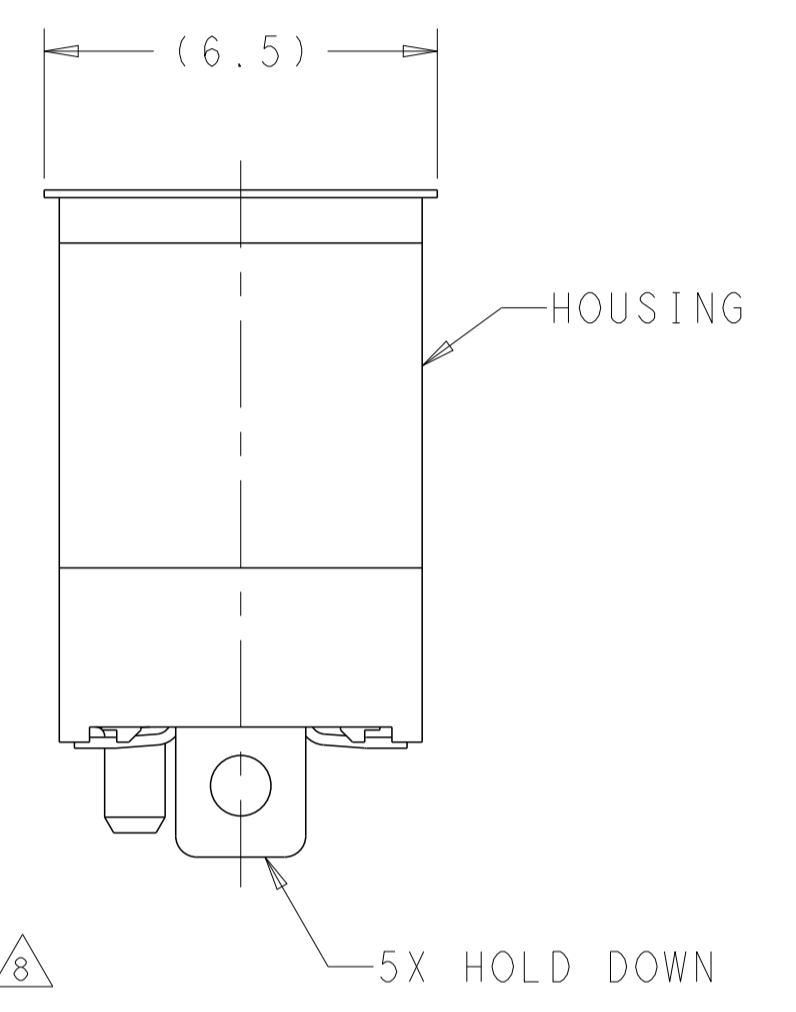
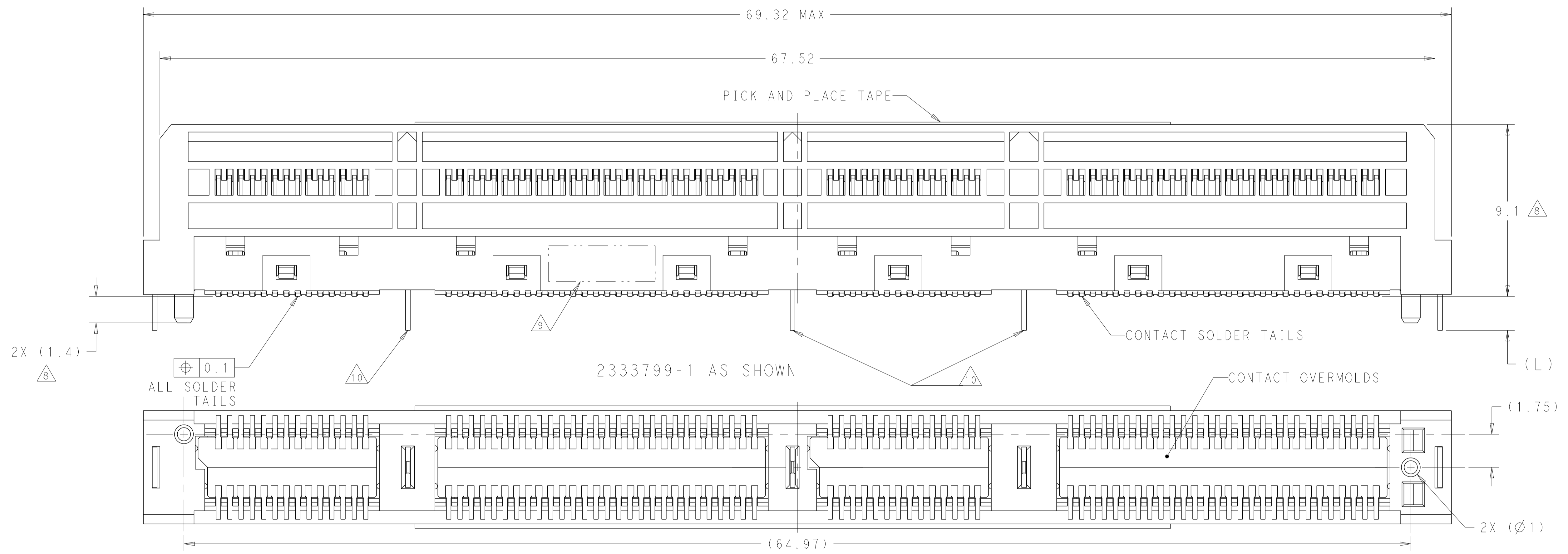
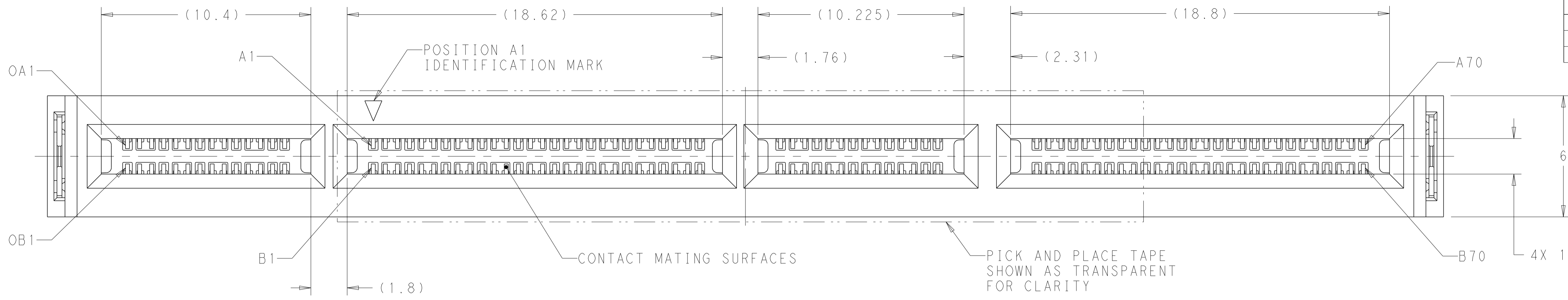


REVISIONS				
P.	LTN.	DESCRIPTION	DATE	APPV.
B1		REVISED PER ECN-22-158426	10JUN2022	TM DZ
B2		REVISED PER ECN-23-207305	10APR2023	CC DZ
B3		REVISED PER ECN-23-213603	19MAY2023	JG DZ
B4		REVISED AS PER ECN-24-258425	28MAR2024	TR JM



24	6.5	1.8	POCKET TAPE	0.76 µm Au	YES	5	200	1-2333799-5
-	6.5	1.8	HARD TRAY	0.76 µm Au	YES	5	200	3-2333799-3
24	6.5	1.2	POCKET TAPE	0.76 µm Au	YES	5	200	1-2333799-4
24	6.5	1.2	POCKET TAPE	0.76 µm Au	NO	5	200	1-2333799-3
16	6.5	1.8	POCKET TAPE	0.76 µm Au	YES	5	200	1-2333799-2
24	5	1.8	POCKET TAPE	0.76 µm Au	YES	5	200	1-2333799-1
24	6.5	1.8	POCKET TAPE	0.76 µm Au	YES	5	200	1-2333799-0
24	6.5	1.2	POCKET TAPE	0.76 µm Au	YES	2	200	2333799-9
24	6.5	1.2	POCKET TAPE	0.76 µm Au	NO	2	200	2333799-8
24	6.5	1.8	POCKET TAPE	0.76 µm Au	NO	5	200	2333799-7
-	6.5	1.8	HARD TRAY	0.76 µm Au	YES	2	200	2333799-6
-	6.5	1.8	HARD TRAY	0.38 µm Au	YES	2	100	2333799-5
-	6.5	1.8	HARD TRAY	FLASH Au/Pd Ni	YES	2	50	2333799-4
-	6.5	1.8	HARD TRAY	0.76 µm Au	YES	5	200	2333799-3
-	6.5	1.8	HARD TRAY	0.38 µm Au	YES	5	100	2333799-2
-	6.5	1.8	HARD TRAY	FLASH Au/Pd Ni	YES	5	50	2333799-1
POCKET TAPE PITCH	DIM A	(L)	PACKAGING	PLATING	PICK AND PLACE TAPE	NUMBER OF HOLD DOWNS	MATING CYCLES	PART NUMBER

- 1 HOUSING AND CONTACT OVERMOLDS - LCP, BLACK, UL94V-0 RATED. CONTACTS AND HOLD DOWNS - COPPER ALLOY. PICK AND PLACE TAPE - POLYIMIDE FILM.
- 2 CONTACTS - GOLD PLATE ON MATING SURFACES, TIN PLATE ON SOLDER TAILS. HOLD DOWNS - TIN PLATE.
- 3 DATUMS AND BASIC DIMENSIONS ESTABLISHED BY CUSTOMER.
- 4 DESIGNED FOR A 1.5 MIN THICK HOST PC BOARD.
- 5 SEE MSA SPECIFICATION FOR ADDITIONAL PADDLE CARD LAYOUTS COMPATIBLE WITH THIS RECEPTACLE AND FOR OPTIONAL SPLIT CONTACT PAD LAYOUTS FOR THE PADDLE CARD. SPECIFICATION PINOUT MAY ALSO DESIGNATE PAD SEQUENCE DIFFERENT FROM ILLUSTRATION.
- 6 POSITIONS DESIGNATED AS "SIGNAL" ARE REQUIRED LOCATIONS FOR HIGH SPEED DIFFERENTIAL PAIR SIGNALING. THESE LOCATIONS MAY ALSO BE USED FOR SUPPORTING SIDEBAND SIGNALS OR OTHER UTILITY PURPOSES. POSITIONS DESIGNATED AS "GROUND" ARE REQUIRED WHEN SUPPORTING HIGH SPEED DIFFERENTIAL SIGNALS. THESE LOCATIONS MAY ALSO BE USED FOR SIDEBAND SIGNALS OR OTHER UTILITY PURPOSES.

- 7 COMPONENT AND TRACE KEEP OUT AREA. EACH EDGE 0.15 MIN FROM EDGE OF HOLE.
- 8 DIMENSION APPLIES FROM CONTACT TAILS.
- 9 DATE CODE MARKED IN APPROXIMATE AREA SHOWN.
- 10 ADDITIONAL HOLD DOWNS FOR 2333799-1 THRU 2333799-3, AND 2333799-7 ONLY.
- 11 HARD TRAY PACKAGED FOR PICK AND PLACE SURFACE MOUNT PROCESSING, SEE FIGURE 1.
- 12 TAPE AND REEL PACKAGED FOR PICK AND PLACE SURFACE MOUNT PROCESSING, SEE FIGURE 2. POCKET TAPE WIDTH = 88.
- 13 MATES WITH BOARDS DESIGNED TO THE SFF-TA-1002 SPECIFICATION.
- 14 TO PHI PLANT

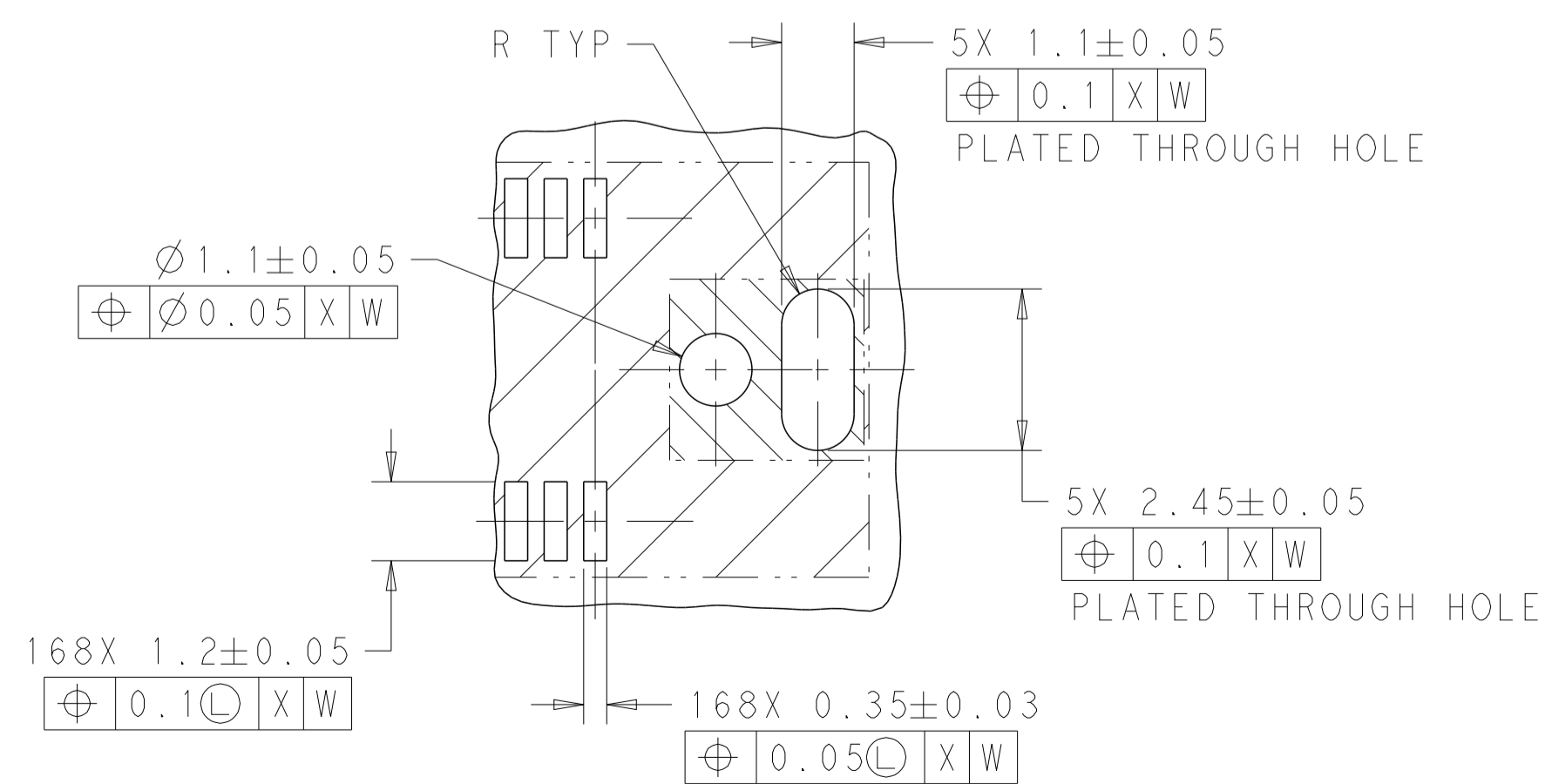
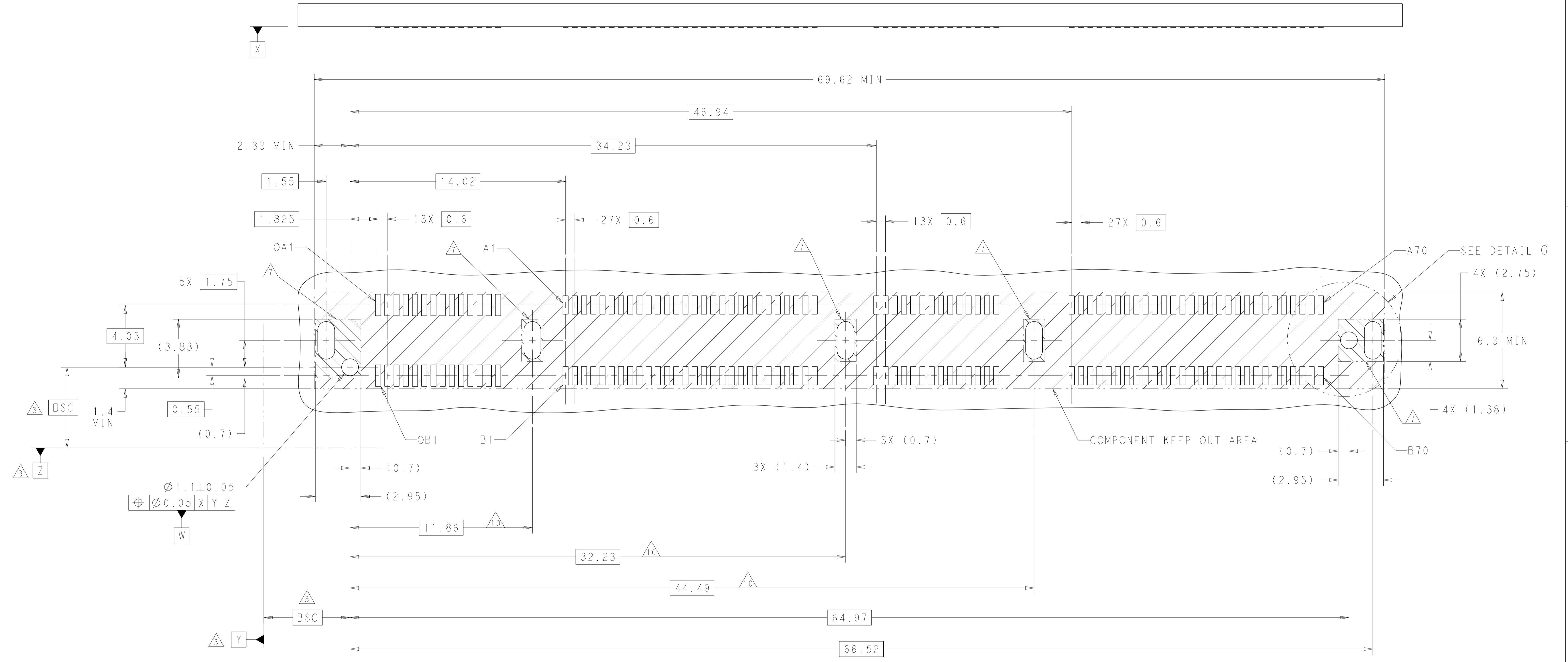
THIS DRAWING IS A CONTROLLED DOCUMENT.

DATE: 21MAR2022
 CHK: TARUN MARI
 APPV: DAVID ZHANG
 PRODUCT SPEC: 108-130021
 APPLICATION SPEC: 114-130008

TE Connectivity
 RECEPTACLE ASSEMBLY, VERTICAL, 168 POSITION, SLIVER 2.0

SIZE: A1
 CAGE CODE: 100779
 DRAWING NO: 2333799
 SCALE: 8:1
 SHEET: 1 OF 5
 REV: B4

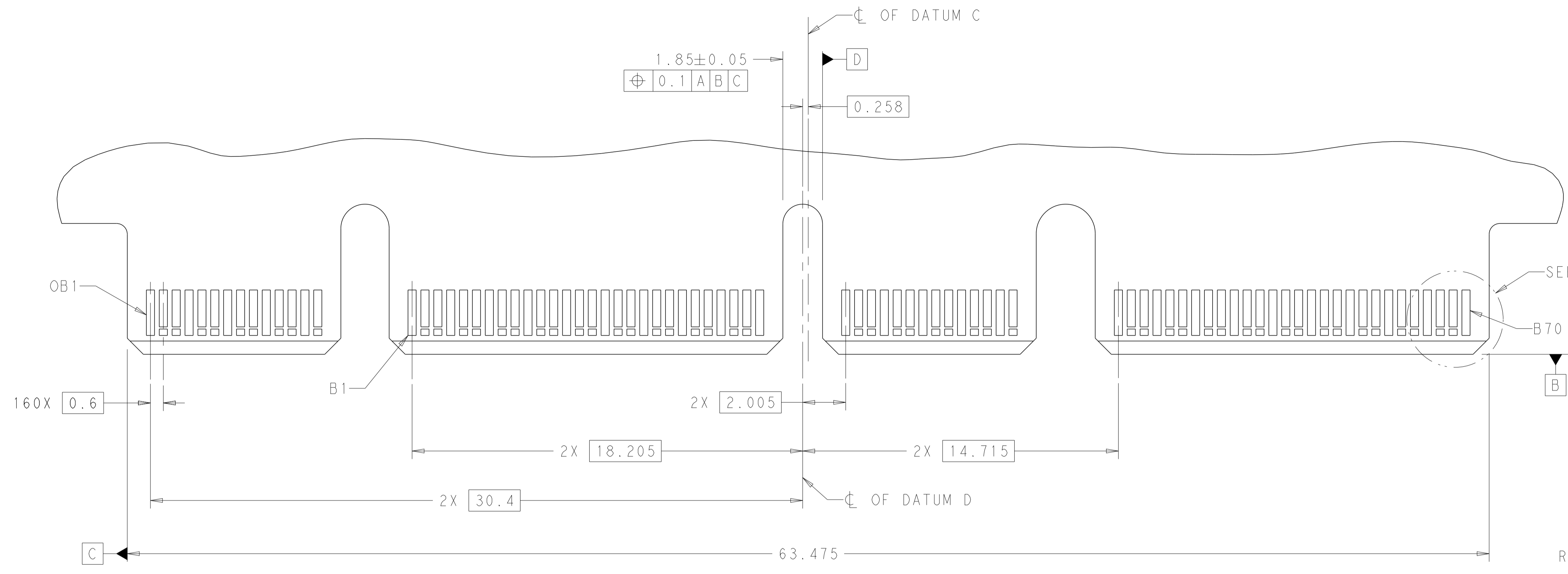
REVISIONS				
P.	LTN.	DESCRIPTION	DATE	APVD.
-	-	SEE SHEET 1	-	-



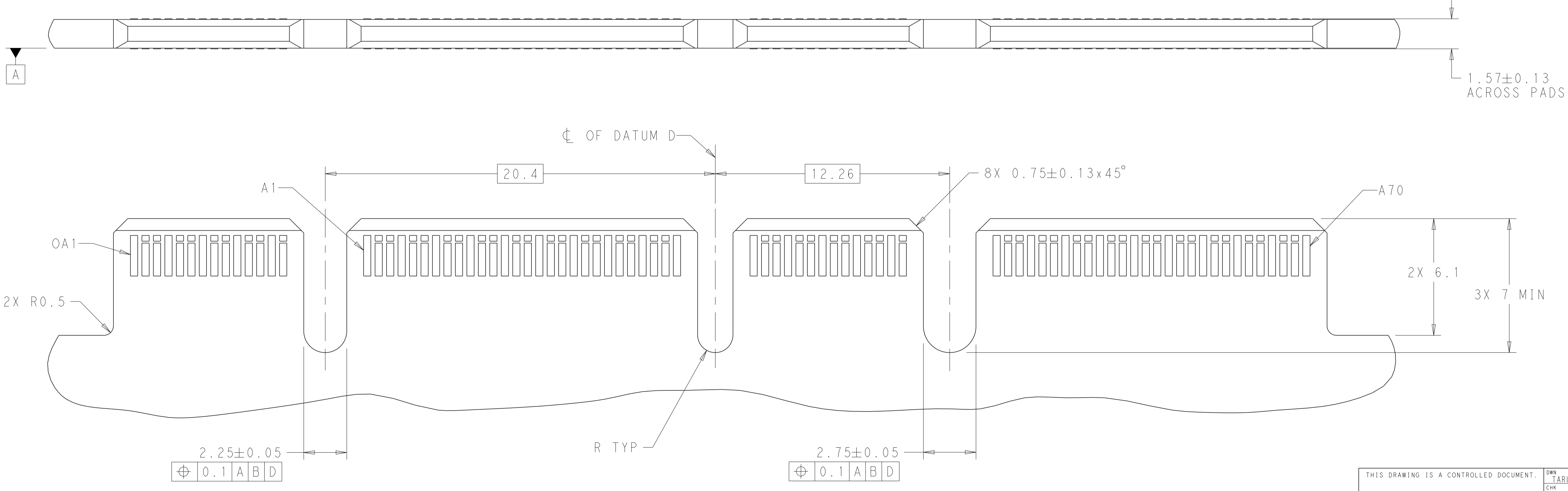
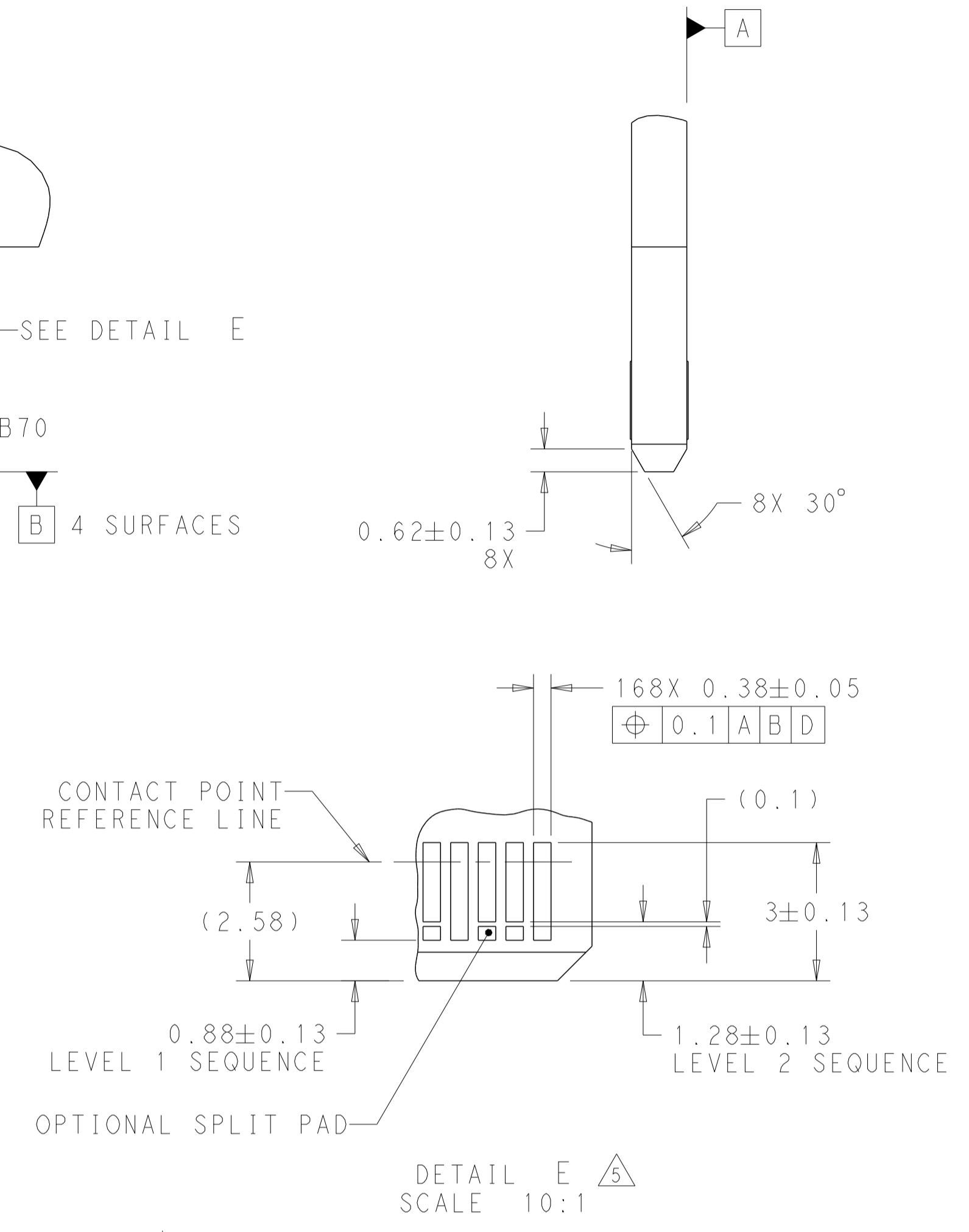
RECOMMENDED PCB LAYOUT AND KEEP OUT AREA

THIS DRAWING IS A CONTROLLED DOCUMENT.		DWN: TARUN MARDI 21MAR2022 CHK: DAVID ZHANG 21MAR2022 APVD: DAVID ZHANG 21MAR2022	TE Connectivity
DIMENSIONS: mm 	TOLERANCES UNLESS OTHERWISE SPECIFIED: 0 PLC ±0.1 1 PLC ±0.1 2 PLC ±0.1 3 PLC ±0.1 4 PLC ±0.1 ANGLES ±5° FINISH	NAME: RECEPTACLE ASSEMBLY, VERTICAL, 168 POSITION, SLIVER 2.0 PRODUCT SPEC: 108-130021 APPLICATION SPEC: 114-130008 WEIGHT: -	
MATERIAL: 1	FINISH: 2	CUSTOMER DRAWING	RESTRICTED TO: - SCALE: 5:1 SHEET 2 OF 5 REV: B4

REVISIONS				
P	LTN	DESCRIPTION	DATE	APVD
-	-	SEE SHEET 1	-	-



RECOMMENDED PCB OUTLINE DIMENSIONS.
 TOLERANCE VALUES ARE CRITICAL. PLEASE BE SURE TO DESIGNATE
 TOLERANCES TO PCB SUPPLIER TO ENSURE OPTIMIZED FUNCTIONALITY.



THIS DRAWING IS A CONTROLLED DOCUMENT.		DWN: TARUN MARDI 21MAR2022	TE Connectivity
DIMENSIONS: mm		CHK: DAVID ZHANG 21MAR2022	
TOLERANCES UNLESS OTHERWISE SPECIFIED:		APVD: DAVID ZHANG 21MAR2022	NAME: RECEPTACLE ASSEMBLY, VERTICAL, 168 POSITION, SLIVER 2.0
0 PLC ±0.1		PRODUCT SPEC: 108-130021	
1 PLC ±0.1		APPLICATION SPEC: 114-130008	SIZE: A1 CAGE CODE: 00779 DRAWING NO: C=2333799
2 PLC ±0.1		WEIGHT: -	
3 PLC ±0.1		CUSTOMER DRAWING	RESTRICTED TO: -
4 PLC ±0.1		SCALE: 5:1	SHEET: 3 OF 5
ANGLES ±°		REV: B4	
FINISH			

REVISIONS				
P. LTH	DESCRIPTION	DATE	OWN	APVD
-	SEE SHEET 1	-	-	-

CONNECTOR CONTACT IDENTIFICATION $\triangle 5$ $\triangle 6$

CONTACT NUMBER	SIDE A	SIDE B
1	GROUND	GROUND
2	SIGNAL	SIGNAL
3	SIGNAL	SIGNAL
4	GROUND	GROUND
5	SIGNAL	SIGNAL
6	SIGNAL	SIGNAL
7	GROUND	GROUND
8	SIGNAL	SIGNAL
9	SIGNAL	SIGNAL
10	GROUND	GROUND
11	SIGNAL	SIGNAL
12	SIGNAL	SIGNAL
13	GROUND	GROUND
14	SIGNAL	SIGNAL
15	SIGNAL	SIGNAL
16	GROUND	GROUND
17	SIGNAL	SIGNAL
18	SIGNAL	SIGNAL
19	GROUND	GROUND
20	SIGNAL	SIGNAL
21	SIGNAL	SIGNAL
22	GROUND	GROUND
23	SIGNAL	SIGNAL
24	SIGNAL	SIGNAL
25	GROUND	GROUND
26	SIGNAL	SIGNAL
27	SIGNAL	SIGNAL
28	GROUND	GROUND
29	GROUND	GROUND
30	SIGNAL	SIGNAL
31	SIGNAL	SIGNAL
32	GROUND	GROUND
33	SIGNAL	SIGNAL
34	SIGNAL	SIGNAL
35	GROUND	GROUND

CONTACT NUMBER	SIDE A	SIDE B
36	SIGNAL	SIGNAL
37	SIGNAL	SIGNAL
38	GROUND	GROUND
39	SIGNAL	SIGNAL
40	SIGNAL	SIGNAL
41	GROUND	GROUND
42	GROUND	GROUND
43	GROUND	GROUND
44	SIGNAL	SIGNAL
45	SIGNAL	SIGNAL
46	GROUND	GROUND
47	SIGNAL	SIGNAL
48	SIGNAL	SIGNAL
49	GROUND	GROUND
50	SIGNAL	SIGNAL
51	SIGNAL	SIGNAL
52	GROUND	GROUND
53	SIGNAL	SIGNAL
54	SIGNAL	SIGNAL
55	GROUND	GROUND
56	SIGNAL	SIGNAL
57	SIGNAL	SIGNAL
58	GROUND	GROUND
59	SIGNAL	SIGNAL
60	SIGNAL	SIGNAL
61	GROUND	GROUND
62	SIGNAL	SIGNAL
63	SIGNAL	SIGNAL
64	GROUND	GROUND
65	SIGNAL	SIGNAL
66	SIGNAL	SIGNAL
67	GROUND	GROUND
68	SIGNAL	SIGNAL
69	SIGNAL	SIGNAL
70	GROUND	GROUND

CONTACT NUMBER	SIDE OA	SIDE OB
1	GROUND	GROUND
2	SIGNAL	SIGNAL
3	SIGNAL	SIGNAL
4	GROUND	GROUND
5	SIGNAL	SIGNAL
6	SIGNAL	SIGNAL
7	GROUND	GROUND
8	SIGNAL	SIGNAL
9	SIGNAL	SIGNAL
10	GROUND	GROUND
11	SIGNAL	SIGNAL
12	SIGNAL	SIGNAL
13	GROUND	GROUND
14	GROUND	GROUND

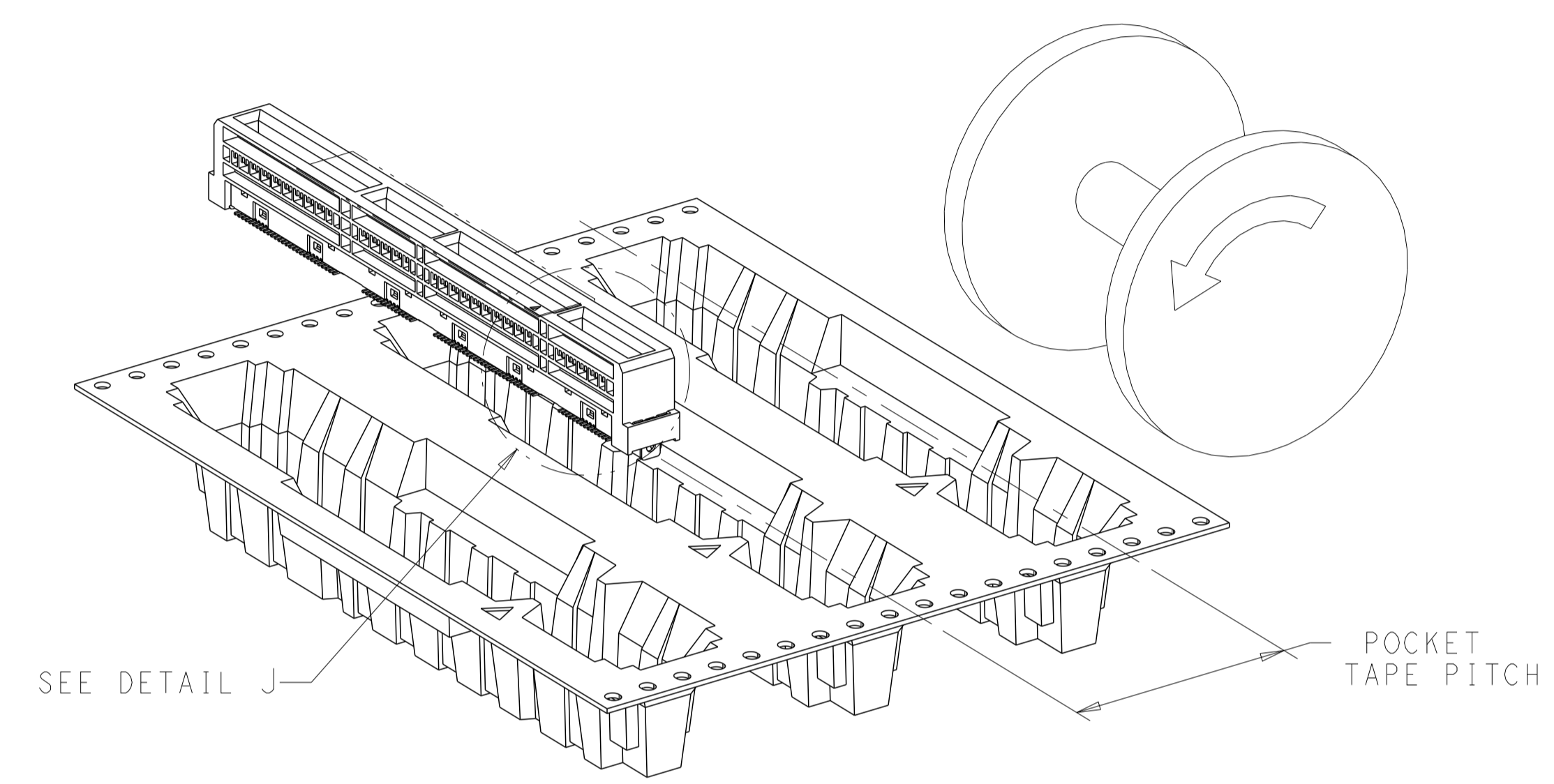
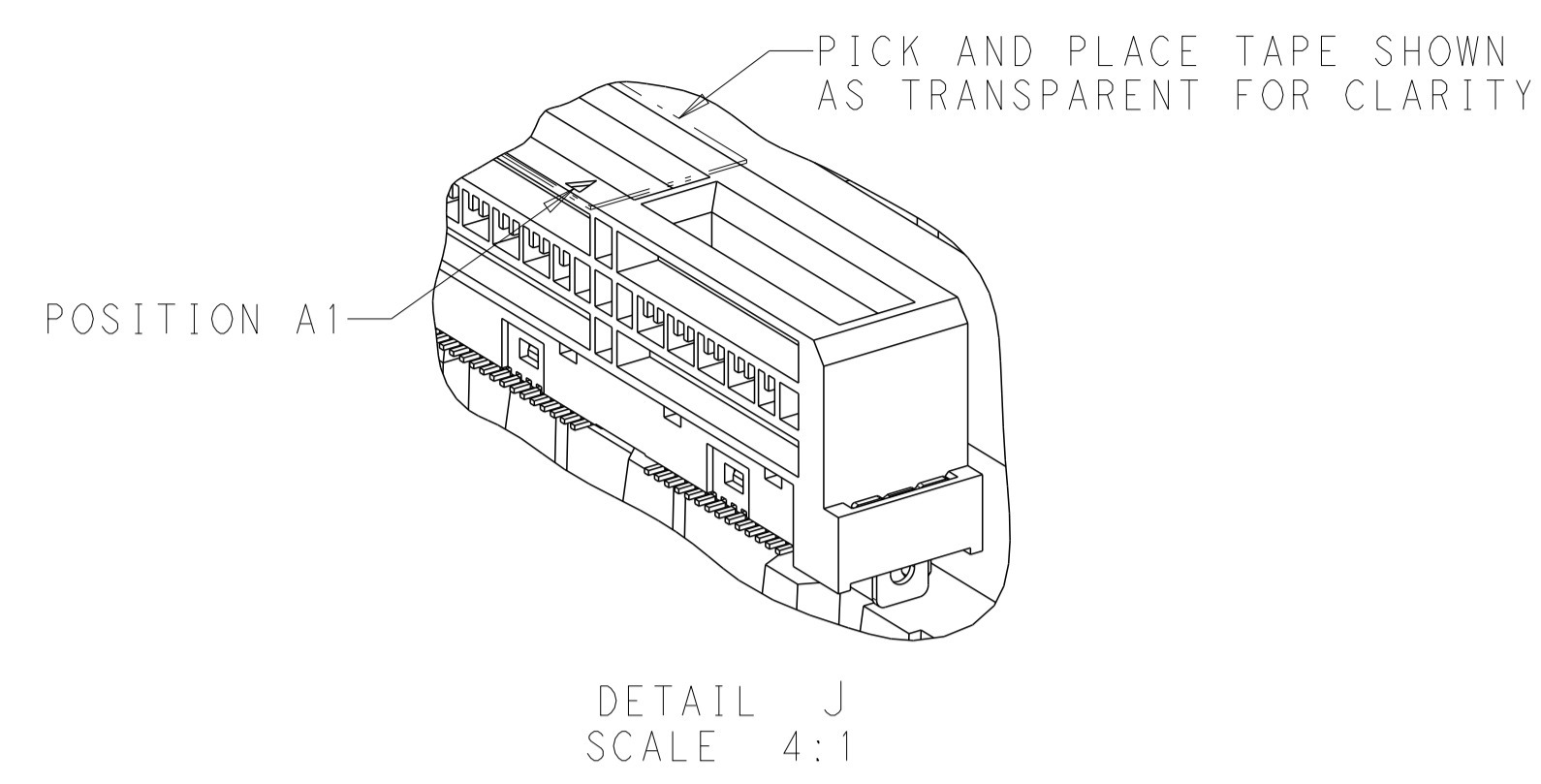


FIGURE 2 $\triangle 12$
 DIRECTION OFF TOP OF REEL FOR USER UNREELING
 APPLIES TO 2333799-7 THRU 1-2333799-0, 1-2333799-1, 1-2333799-3, 1-2333799-4
 SCALE 2:1

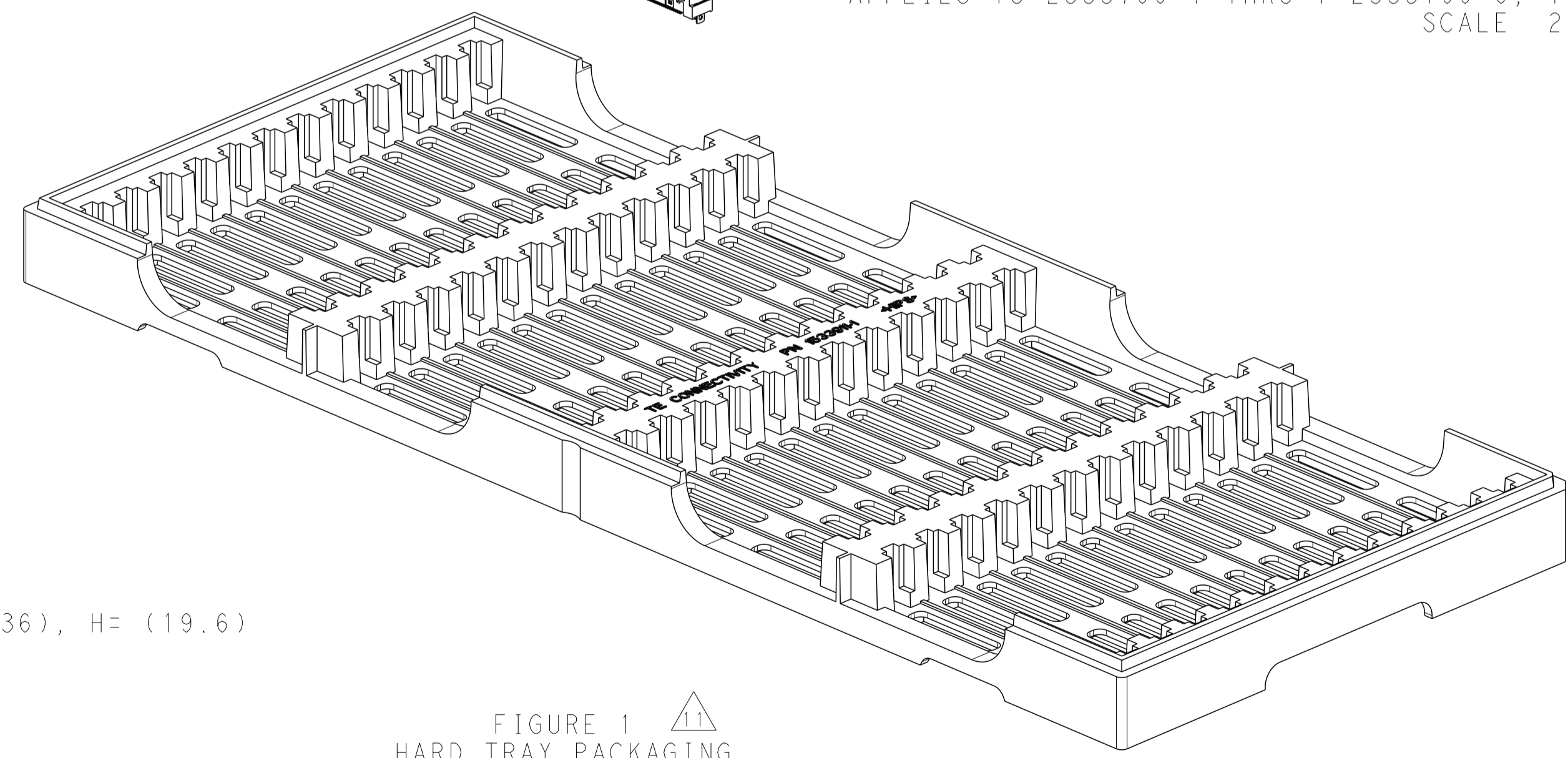
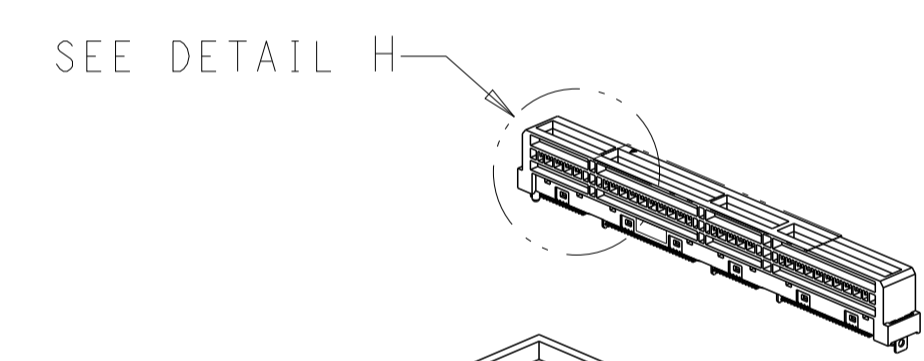
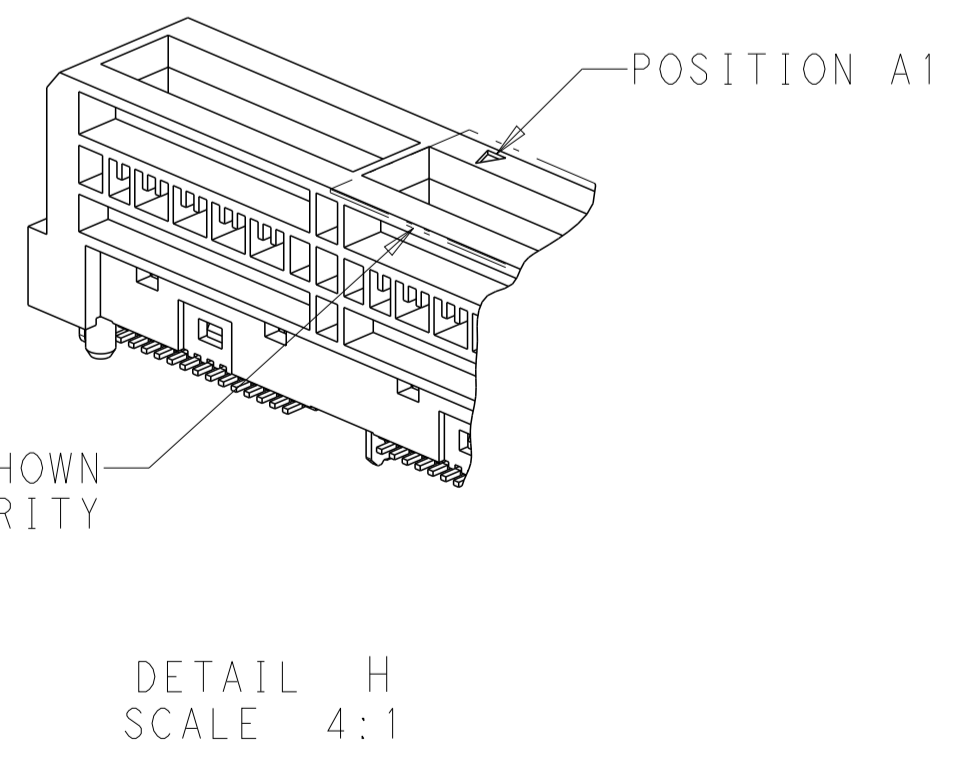


FIGURE 1 $\triangle 11$
 HARD TRAY PACKAGING
 APPLIES TO 2333799-1 THRU 2333799-6 AND 3-2333799-3
 SCALE 1:1



- HARD TRAY PACKAGING-
- DIMENSIONS:
 TRAY: L= (330), W= (136), H= (19.6)
 - QUANTITY:
 48 PIECES PER TRAY.

THIS DRAWING IS A CONTROLLED DOCUMENT.		OWN TARUN MARR 21MAR2022	TE Connectivity
DIMENSIONS:		CHK DAVID ZHANG 21MAR2022	
mm	0 PLC ±0.1	APVD DAVID ZHANG 21MAR2022	NAME RECEPTACLE ASSEMBLY, VERTICAL, 168 POSITION, SLIVER 2.0
	1 PLC ±0.1	PRODUCT SPEC	SIZE CAGE CODE DRAWING NO RESTRICTED TO
	2 PLC ±0.1	APPLICATION SPEC	A100779C=2333799
	3 PLC ±0.1	114-130008	WEIGHT
	4 PLC ±0.1	114-130008	CUSTOMER DRAWING
	ANGLES ±°	SCALE 8:1	SHEET 4 OF 5
	FINISH ±5°	REV B4	

REVISIONS				
P.	LTN.	DESCRIPTION	DATE	APVD.
-	-	SEE SHEET 1	-	-

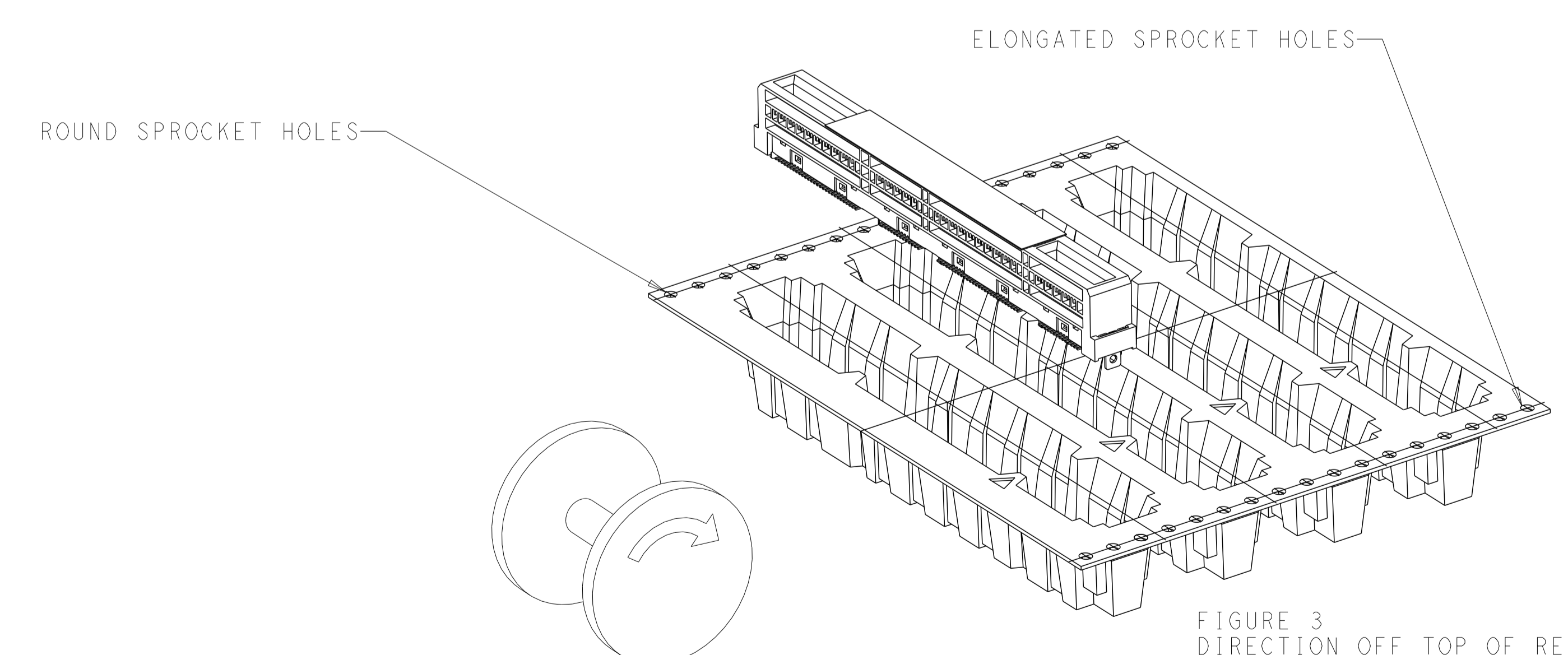
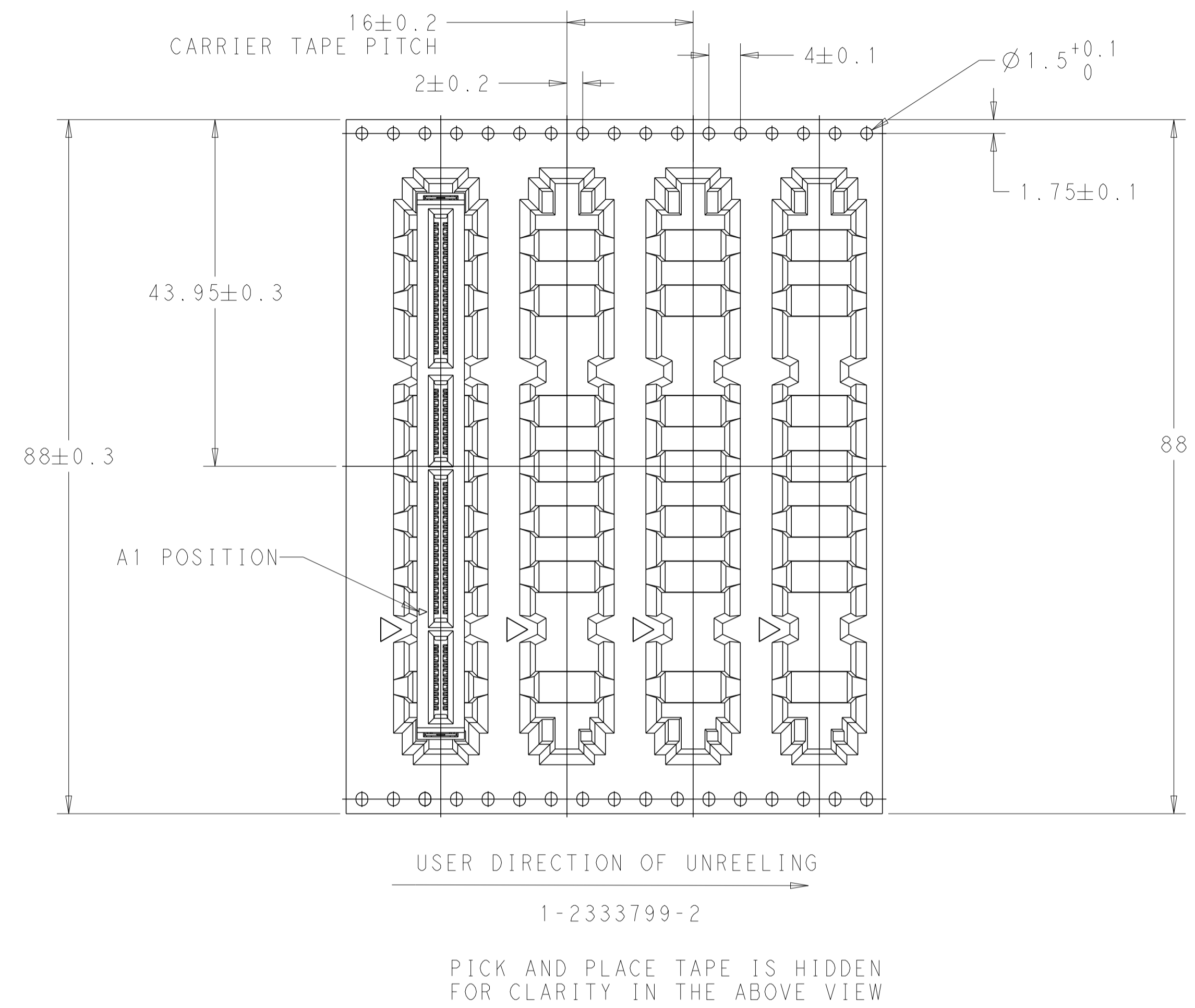


FIGURE 3
 DIRECTION OFF TOP OF REEL
 FOR USER UNREELING
 APPLIES TO 1-2333799-2

THIS DRAWING IS A CONTROLLED DOCUMENT.		OWN TARUN MARRI 21MAR2022	TE Connectivity	
DIMENSIONS:		CHK DAVID ZHANG 21MAR2022		
mm	TOLERANCES UNLESS OTHERWISE SPECIFIED:	APVD DAVID ZHANG 21MAR2022	NAME RECEPTACLE ASSEMBLY, VERTICAL, 168 POSITION, SLIVER 2.0	
∅	0 PLC ±0.1	PRODUCT SPEC	SIZE CAGE CODE DRAWING NO RESTRICTED TO	
	1 PLC ±0.1	108-130021	A100779C=2333799	
	2 PLC ±0.1	APPLICATION SPEC	SCALE 8:1 SHEET 5 OF 5 REV B4	
	3 PLC ±	114-130008	CUSTOMER DRAWING	
	4 PLC ±	WEIGHT		
	ANGLES ±°			
MATERIAL	FINISH			