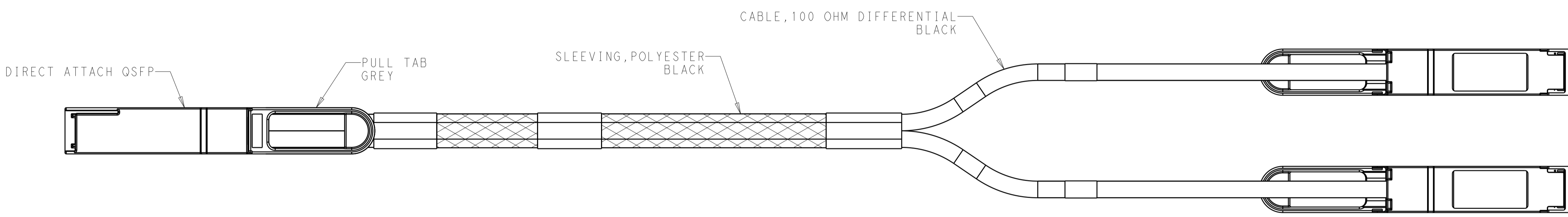
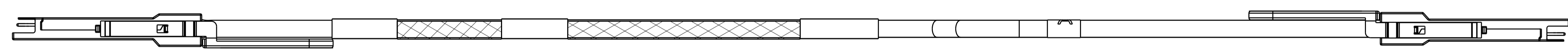
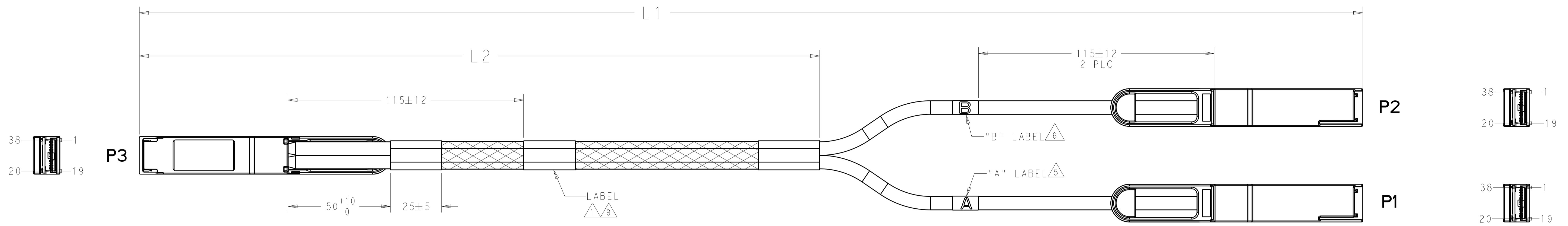
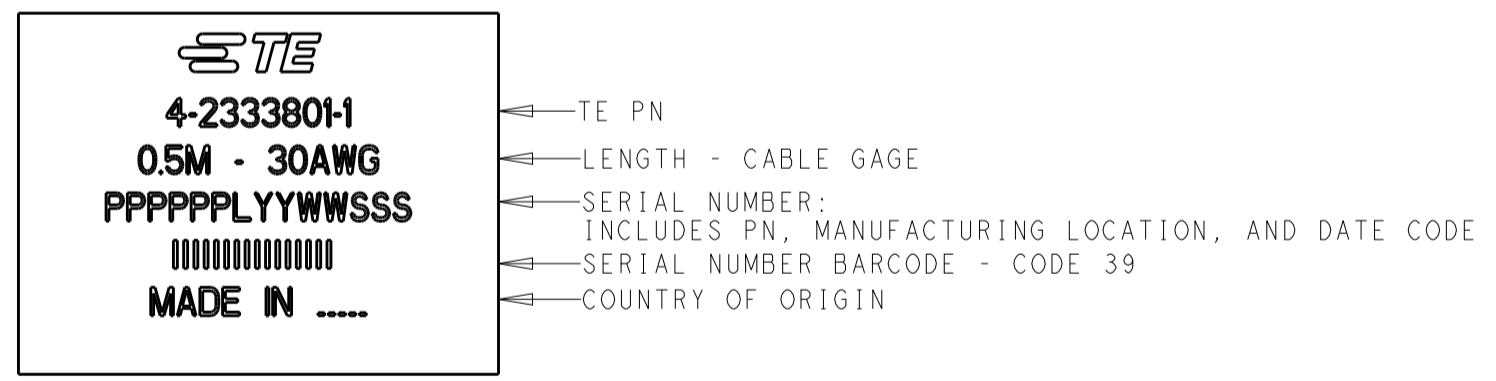
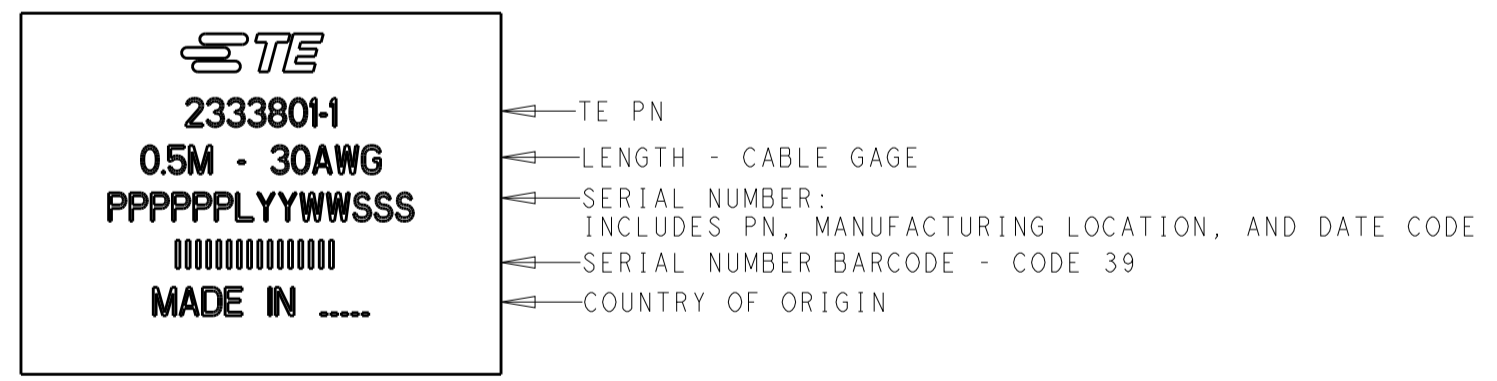


REVISIONS				
P	LTR	DESCRIPTION	DATE	APPR
A		PER ECO-18-020143	31DEC2018	MY GF
B		REVISED PER ECO-20-004723	03APR2020	REH GF



△ LABEL INFORMATION FOR 25 GIG PNS (-1 THRU -6): -1 SHOWN.

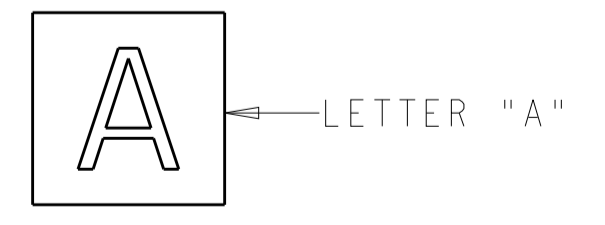
△ LABEL INFORMATION FOR 56 GIG PNS (-41 THRU -44): -41 SHOWN.



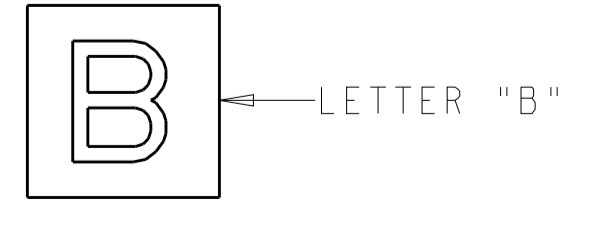
- SEE SHEET 2 FOR WIRING SCHEMATIC.
- PRODUCT AND PROCESSING MUST MEET THE REQUIREMENTS OF TE SPECIFICATION TEC-138-702.
- CABLE ASSEMBLY TO BE TESTED FOR OPENS, SHORTS AND PROPER EEPROM PROGRAMMING.

△ NO SLEEVING REQUIRED FOR 0.5M LENGTH(2333801-1 AND 4-2333801-1).

△ LABEL INFORMATION:



△ LABEL INFORMATION:



- TEST IN ACCORDANCE WITH IEEE802.3bj.
- DASH NUMBER 41 THRU 44 CONFORM TO 56G, PAM-4 IEEE802.3CD PERFORMANCE REQUIREMENTS.

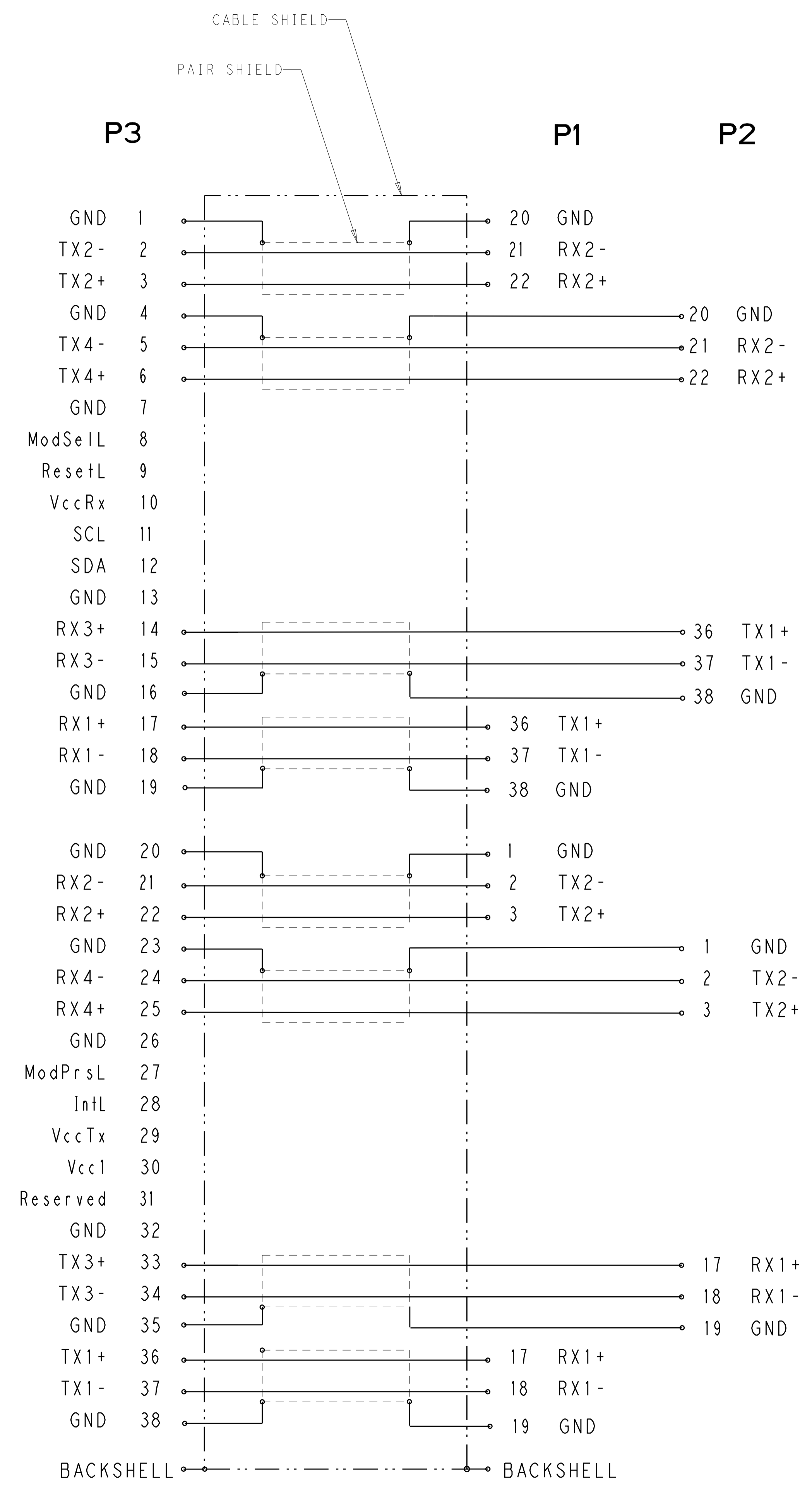
STANDARD	GAGE	"L2" mm	"L1" mm	PART NO
△8	30	1000±25	2000 +80/-0	4-2333801-4
	30	500±25	1500 +50/-0	4-2333801-3
	30	500±25	1000 +50/-0	4-2333801-2
	30	250±25	500 +50/-0	4-2333801-1
△7	30	1000±25	3000 +80/-0	2333801-6
	30	1000±25	2500 +80/-0	2333801-5
	30	1000±25	2000 +80/-0	2333801-4
	30	500±25	1500 +50/-0	2333801-3
	30	500±25	1000 +50/-0	2333801-2
	30	250±25	500 +50/-0	2333801-1

THIS DRAWING IS A CONTROLLED DOCUMENT.

DIMENSIONS:	TOLERANCES UNLESS OTHERWISE SPECIFIED:	OWN: YI 05MAY2018	CHK: G. FRANKLIN 05MAY2018	APPR: G. FRANKLIN 05MAY2018	NAME: CABLE ASSEMBLY, QSFP TO (2) QSFP 25GIG, 30AWG
mm	0 PLC ±				SIZE: A
	1 PLC ±				CAGE CODE: 00779
	2 PLC ±				DRAWING NO: 2333801
	3 PLC ±				RESTRICTED TO: B
	4 PLC ±				
	ANGLES ±				
MATERIAL:	FINISH:	WEIGHT:	CUSTOMER DRAWING:	SCALE: 5:1	SHEET 1 OF 2

TE Connectivity

REVISIONS				
P	LTN	DESCRIPTION	DATE	APVD
-	-	SEE SHEET 1	-	-



### WIRING PATTERN

THIS DRAWING IS A CONTROLLED DOCUMENT.		DWN M. YI	05MAY2018	TE Connectivity
DIMENSIONS:		CHK G. FRANKLIN	05MAY2018	
TOLERANCES UNLESS OTHERWISE SPECIFIED:		APVD G. FRANKLIN	05MAY2018	NAME CABLE ASSEMBLY, QSFP TO (2) QSFP
mm		PRODUCT SPEC		25GIG, 30AWG
0 PLC ±		APPLICATION SPEC		SIZE CAGE CODE DRAWING NO
1 PLC ±		WEIGHT		A100779C=2333801
2 PLC ±		CUSTOMER DRAWING		RESTRICTED TO
3 PLC ±		SCALE 5:1		SHEET 2 OF 2
4 PLC ±		REV B		
ANGLES ±				
FINISH				