

THIS DRAWING IS UNPUBLISHED.

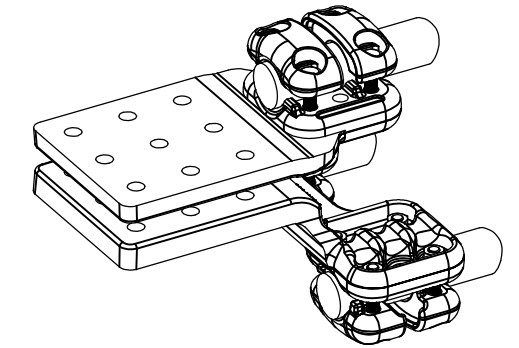
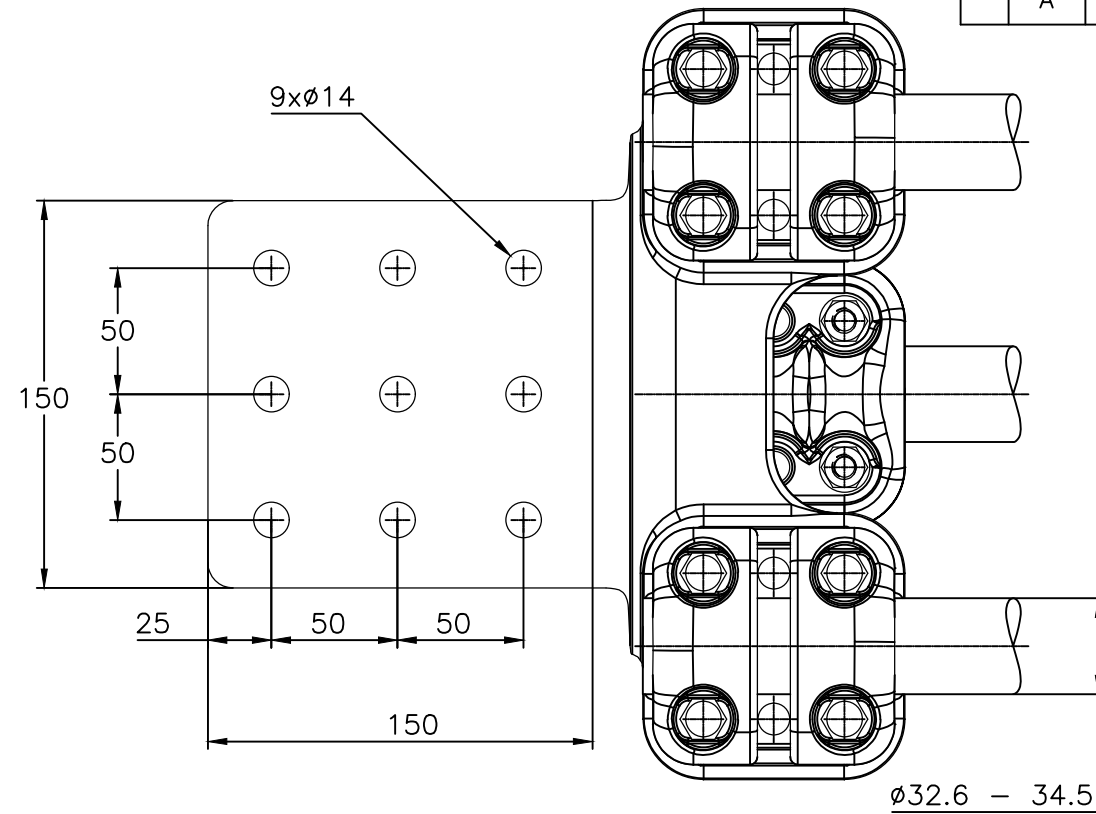
RELEASED FOR PUBLICATION

ALL RIGHTS RESERVED.

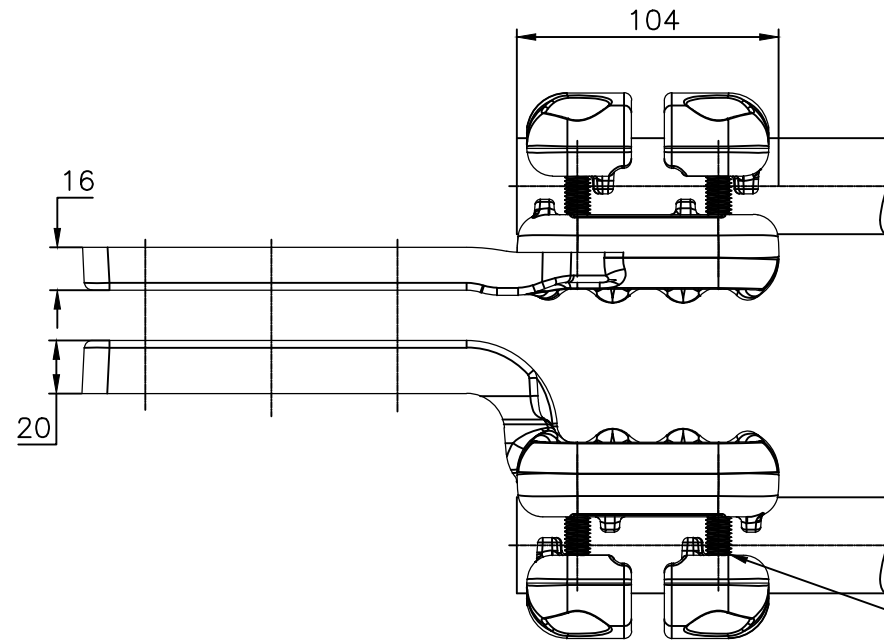
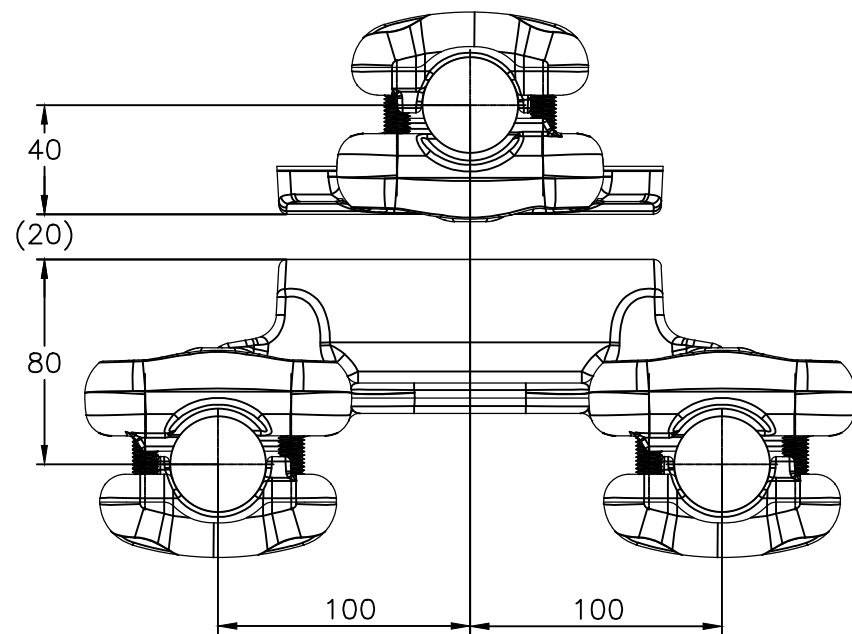
© COPYRIGHT - By -

REVISIONS

P	LTR	DESCRIPTION	DATE	DWN	APVD
	A	CREATION	04-MAY-18	MT	-




No scale
Sans échelle



M10 Bolts stainless steel A2: 37Nm
Boulons M10 acier inoxydable A2: 37Nm

ITEM:.....

THIS DRAWING IS A CONTROLLED DOCUMENT.		DWN TALPIN	04-MAY-18	 TE Connectivity													
DIMENSIONS: mm		CHK	-														
TOLERANCES UNLESS OTHERWISE SPECIFIED:		APVD	-	NAME STRAIGHT CONNECTOR FOR TRIPLE CONDUCTORS TO FLAT PALM RACCORD DROIT POUR FAISCEAU TRIPLE SUR PLAGE													
<table border="0"> <tr><td>0 PLC</td><td>± -</td></tr> <tr><td>1 PLC</td><td>± -</td></tr> <tr><td>2 PLC</td><td>± -</td></tr> <tr><td>3 PLC</td><td>± -</td></tr> <tr><td>4 PLC</td><td>± -</td></tr> <tr><td>ANGLES</td><td>± -</td></tr> </table>		0 PLC	± -	1 PLC	± -	2 PLC	± -	3 PLC	± -	4 PLC	± -	ANGLES	± -	PRODUCT SPEC 108-69096-001		5 PD 82 M M345 E100 150 C482	
0 PLC	± -																
1 PLC	± -																
2 PLC	± -																
3 PLC	± -																
4 PLC	± -																
ANGLES	± -																
MATERIAL		APPROX.WEIGHT 6.1 kg		SIZE A3	CAGE CODE 00779												
FINISH		CUSTOMER DRAWING		DRAWING NO C=2334192	RESTRICTED TO												
		SCALE 1:3		SHEET 1 OF 1	REV A												