

THIS DRAWING IS UNPUBLISHED.

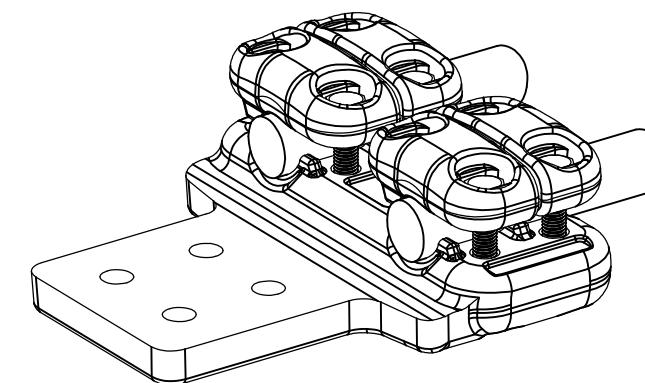
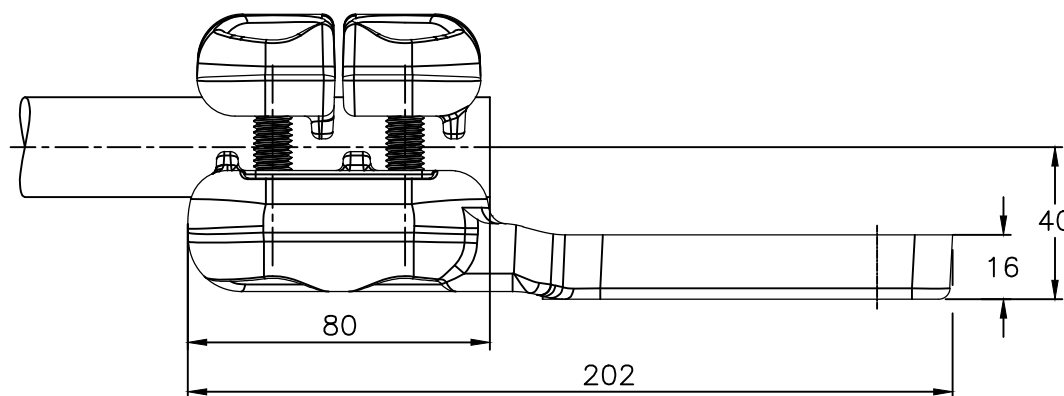
RELEASED FOR PUBLICATION

REVISIONS

© COPYRIGHT - By -

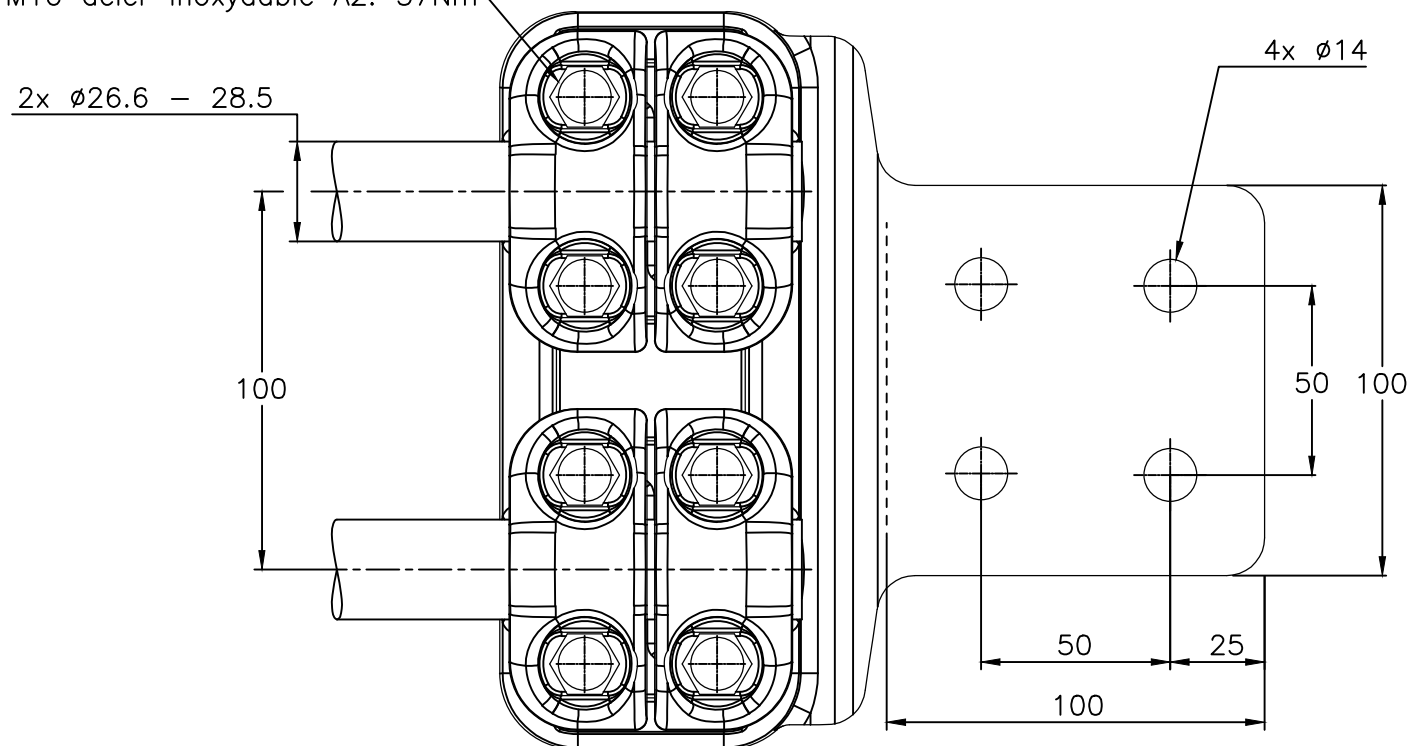
ALL RIGHTS RESERVED.


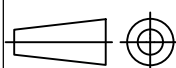
| P | LTR | DESCRIPTION | DATE | DWN | APVD |
|---|-----|-------------|-----------|-----|------|
| | A | CREATION | 24-APR-18 | BH | - |



No scale
Sans échelle

M10 Bolts stainless steel A2: 37Nm
Boulons M10 acier inoxydable A2: 37Nm



| | | | | | |
|---|--|------------------|---------------|--|--|
| THIS DRAWING IS A CONTROLLED DOCUMENT. | | DWN | 24-Apr-18 | |  TE Connectivity |
| | | CHK | - | | |
| | | APVD | - | | |
| | | PRODUCT SPEC | - | | |
| DIMENSIONS: | TOLERANCES UNLESS OTHERWISE SPECIFIED: | APVD | - | | NAME |
| mm | | APVD | - | | 5 PD 82 F S285 E100 100 C34 |
|  | 0 PLC ± - | PRODUCT SPEC | 108-69096-001 | | SIZE |
| | 1 PLC ± - | APPLICATION SPEC | - | | CAGE CODE |
| | 2 PLC ± - | | - | | DRAWING NO |
| | 3 PLC ± - | | - | | RESTRICTED TO |
| | 4 PLC ± - | | - | | A300779 |
| | ANGLES ± - | | - | | ©=2334263 |
| MATERIAL | FINISH | APPROX.WEIGHT | 2.3 kg | | SCALE |
| - | - | CUSTOMER DRAWING | 1:2 | | SHEET |
| | | | 1 OF 1 | | REV |
| | | | A | | |

ITEM:.....