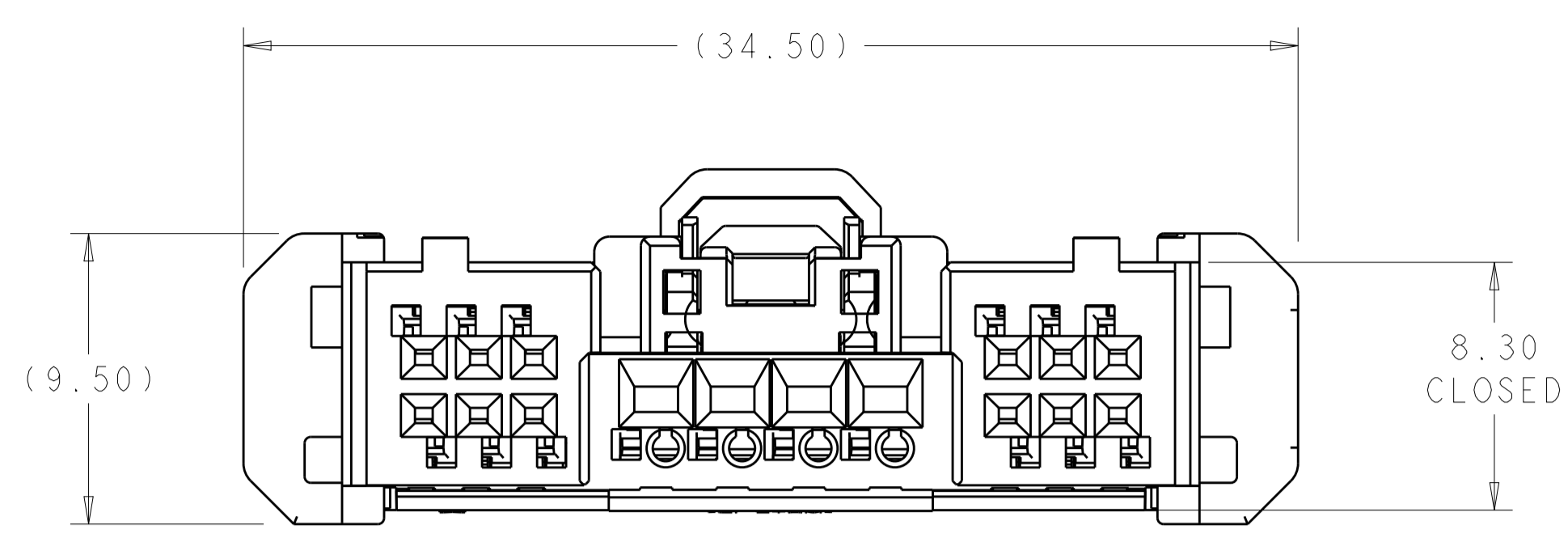


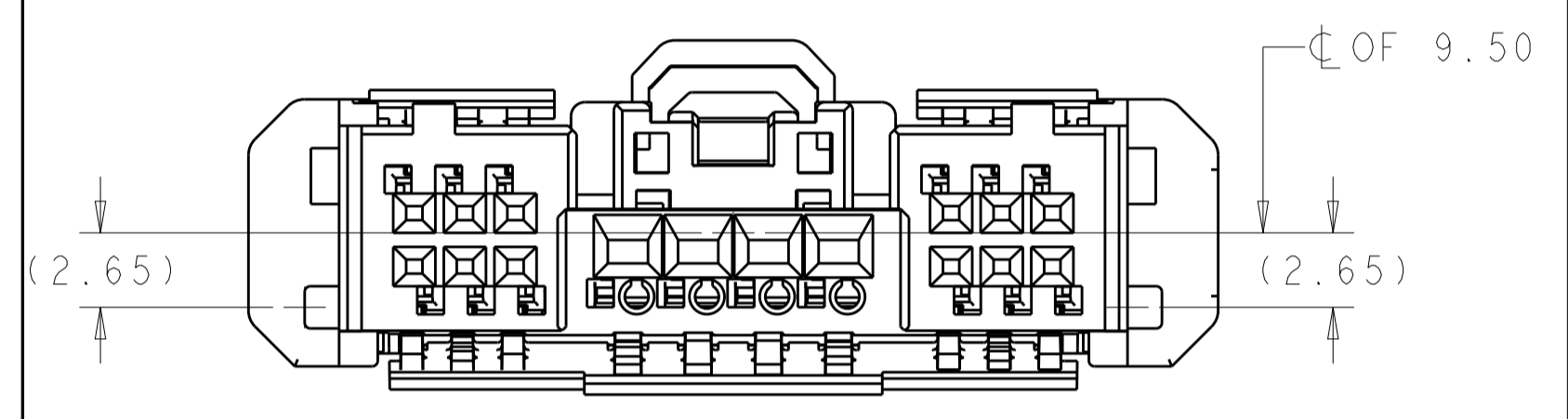
REVISIONS				
P.	LTN	DESCRIPTION	DATE	DMN APVD
A		RELEASED	11MAY2018	HM CJ
A1		REV PER ECO-18-014112	10SEP2018	STK CJ
A2		REV PER ECO-19-015720	29OCT2019	CJ CJ



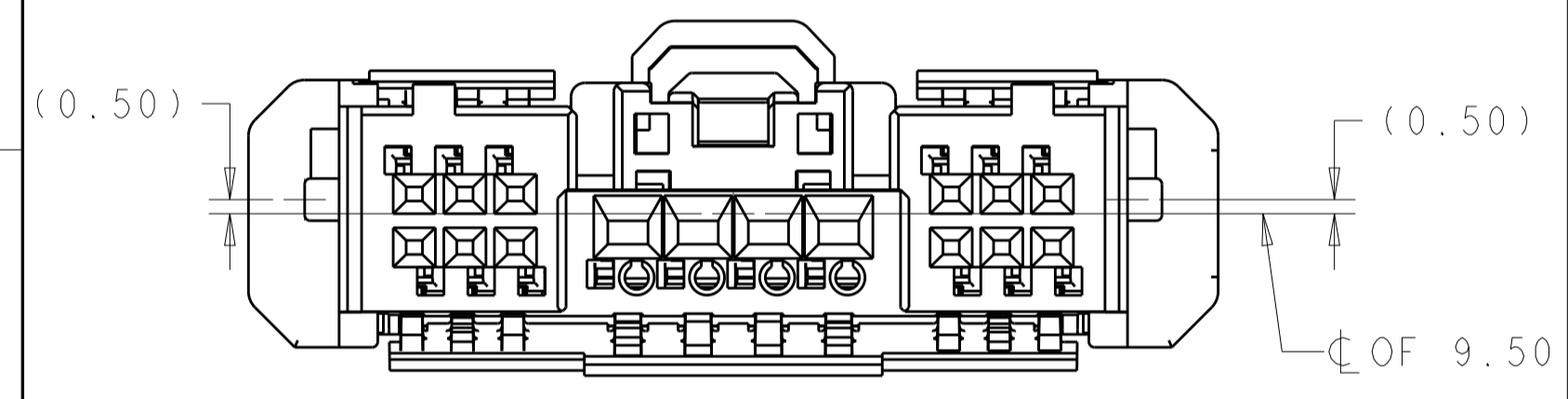
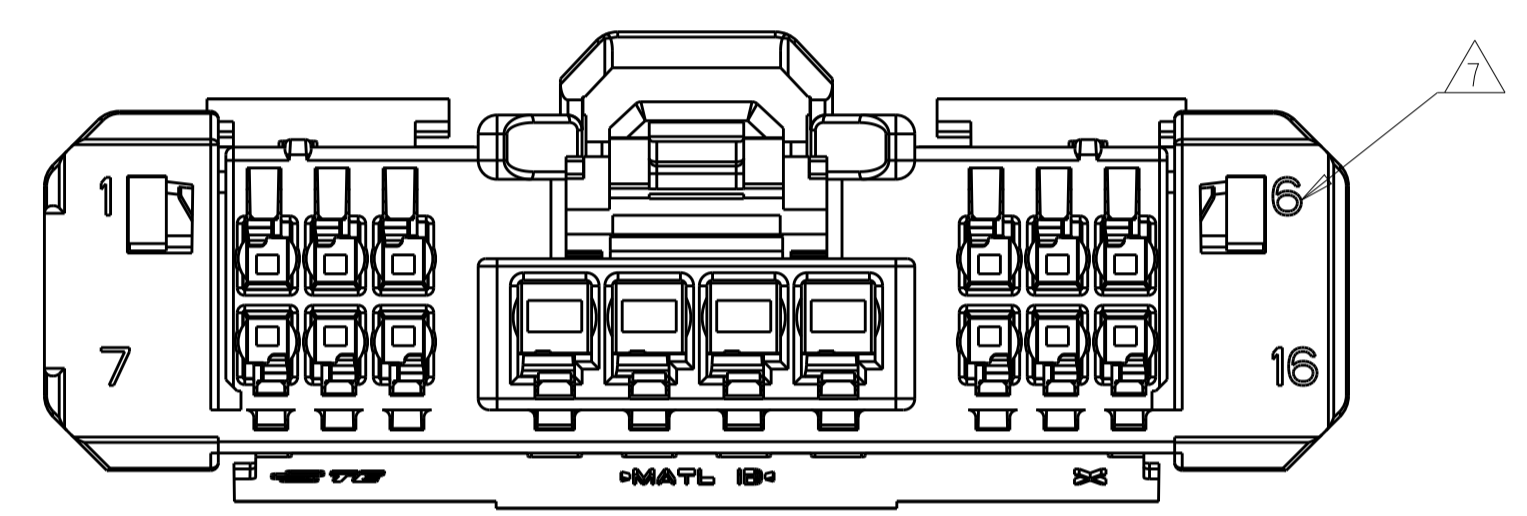
REF VIEW
ISL SHOWN CLOSED
SCALE 5:1

- ⚠ MATERIAL: PLUG HOUSING - PBT, 15% GLASS FILLED - COLOR; SEE TABLE CPA - PBT, 15% GLASS FILLED - COLOR; RED
- ⚠ CPA SHOWN IN PRE-STAGED, AS SHIPPED POSITION
- 3. THIS CONNECTOR INTENDED FOR USCAR-2, REV 5, TEMP CLASS 2, VIBRATION CLASS 1.
- 4. CONNECTOR COMPLIES WITH USCAR-25, REV 1, CLASS 2
- 5. CONTACT TE CONNECTIVITY FOR FEMALE TERMINAL PART NUMBERS
- 6. WIRE DRESS IS SOLD SEPERATELY
- ⚠ CIRCUIT ID IN APPROXIMATE LOCATION AS SHOWN
- 8. TERMINAL INFORMATION SHOWN BELOW:

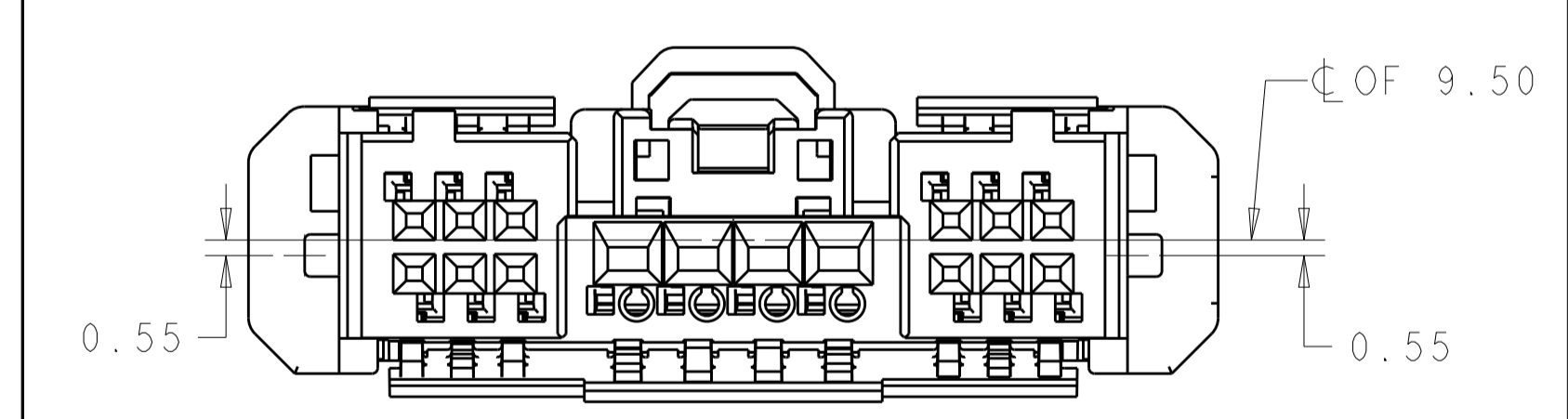
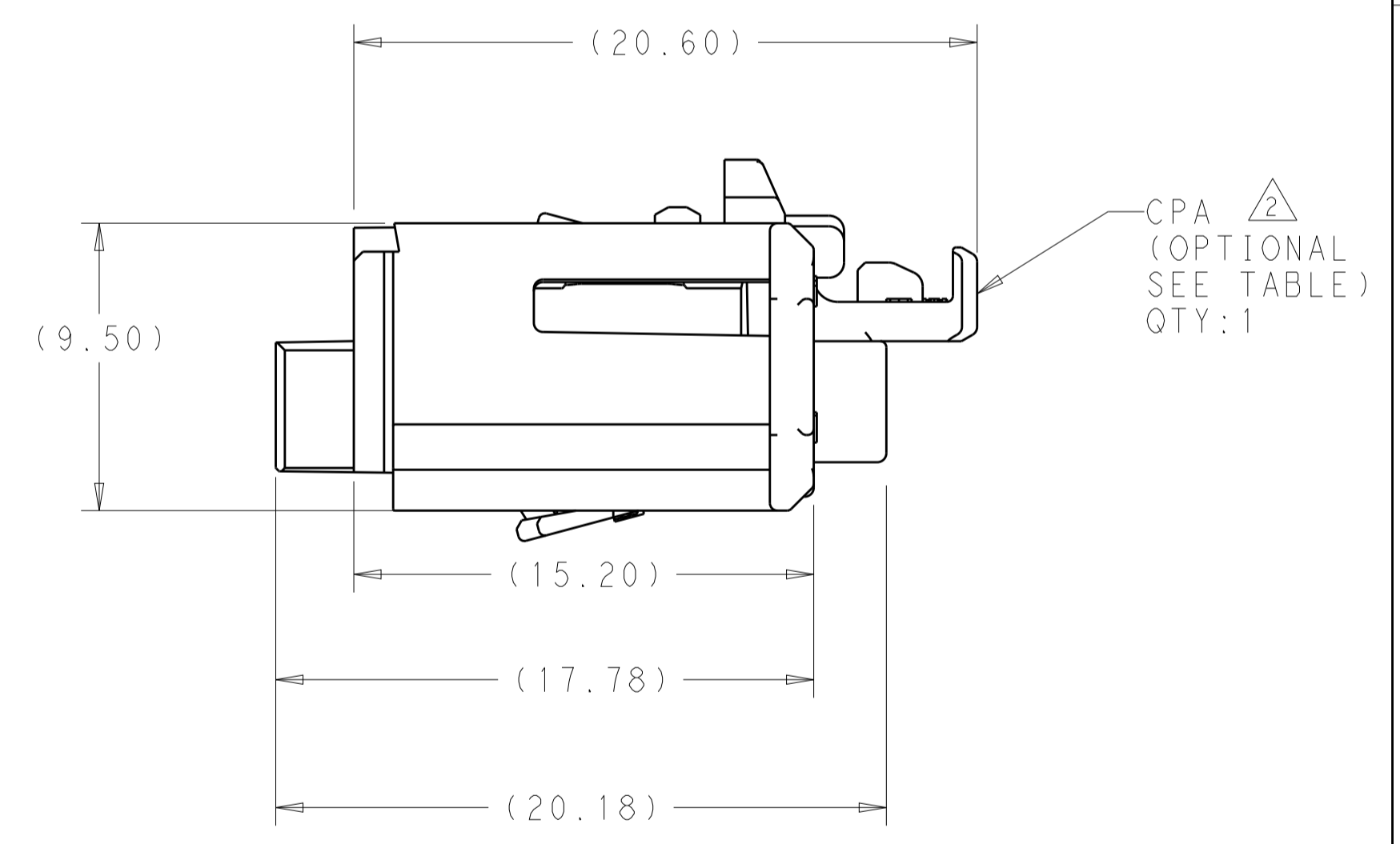
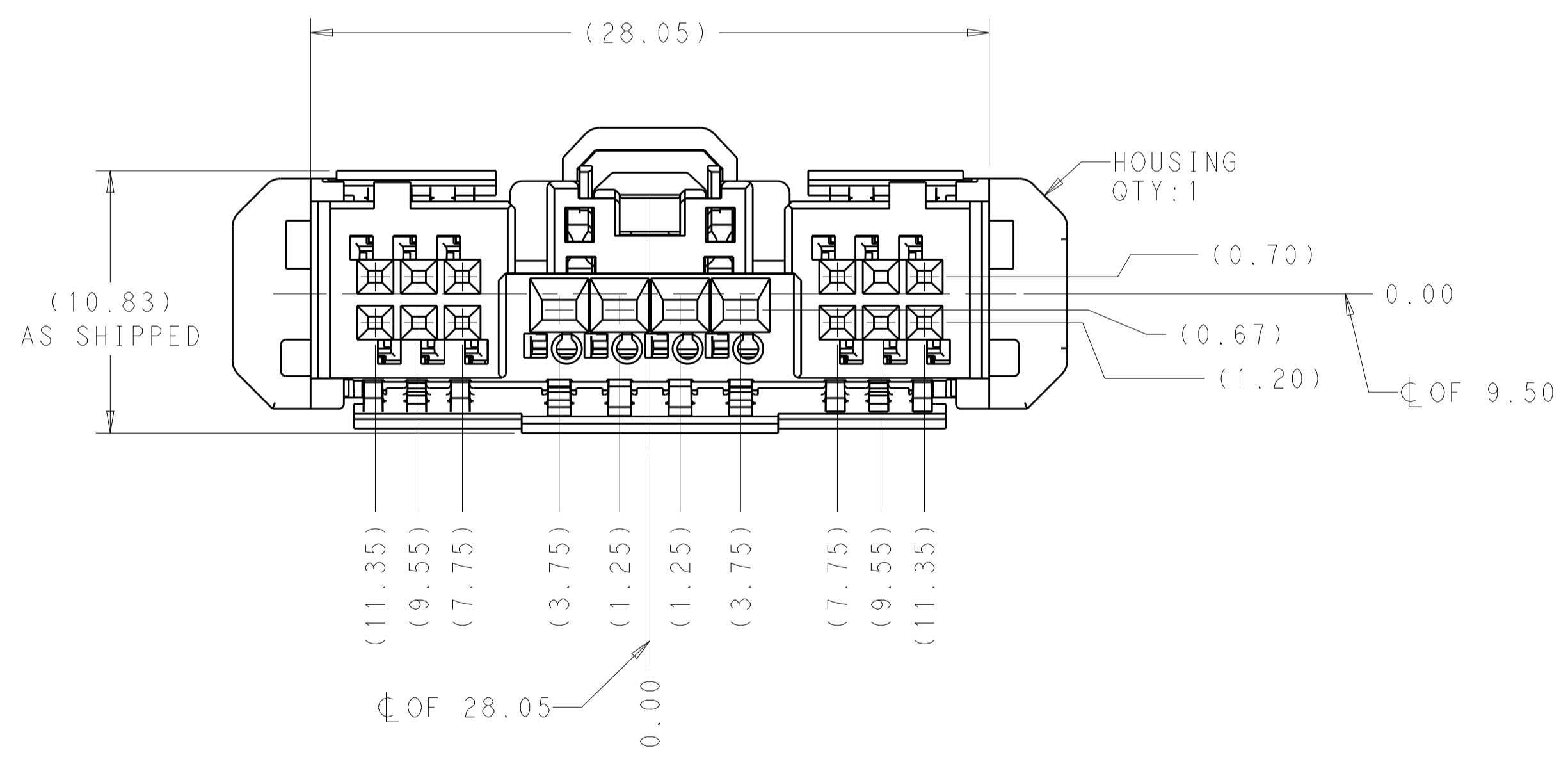
CAVITY NUMBERS	TERMINAL P/N
1-6 7-9 14-16	2098583-2 (0.35mm)
10-13	1670144-1 (0.5-0.75mm) 1534594-1 (0.25-0.35mm)



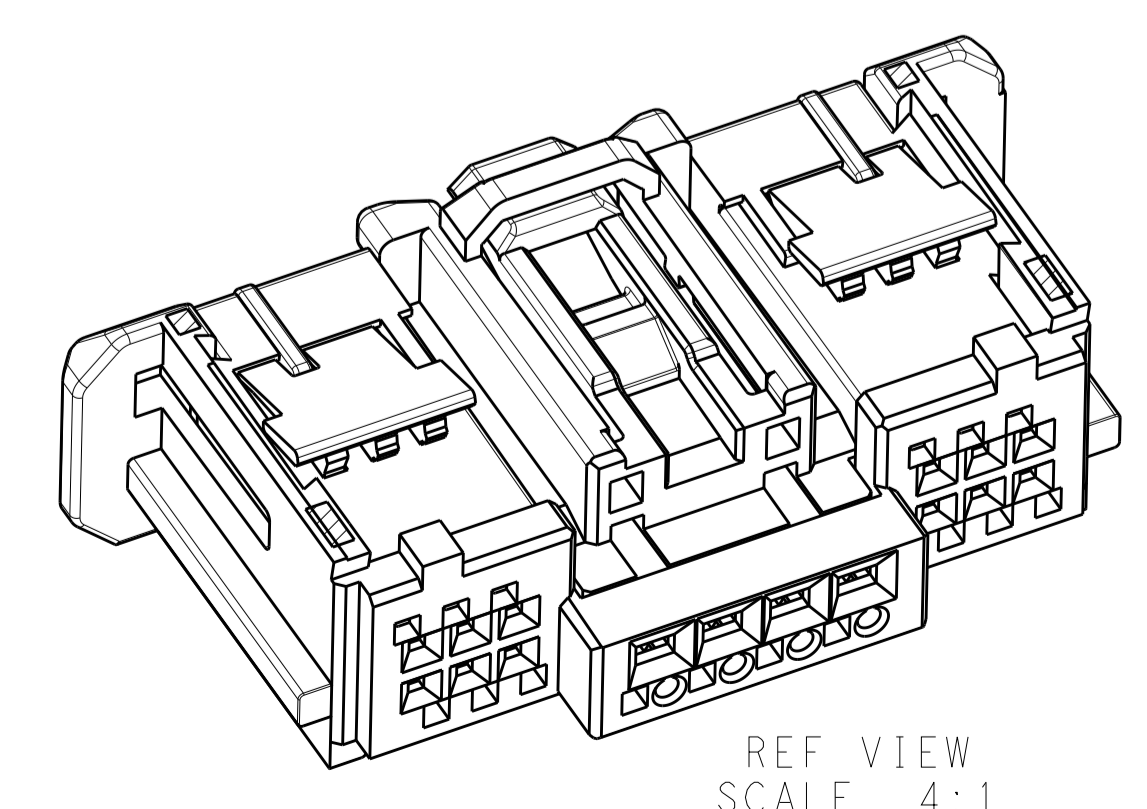
KEY CODE A
SCALE 4:1



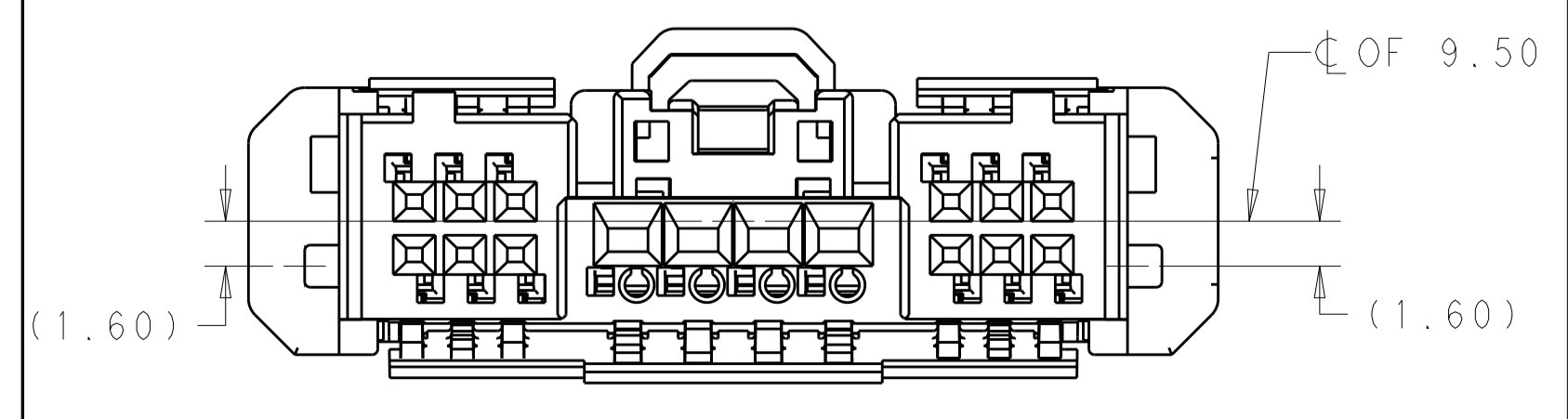
KEY CODE B
SCALE 4:1



KEY CODE C
SCALE 4:1



REF VIEW
SCALE 4:1



KEY CODE D
SCALE 4:1

3.16 g	BLUE	YES	KEY CODE D	2334712-8
3.16 g	GRAY	YES	KEY CODE C	2334712-7
3.16 g	IVORY	YES	KEY CODE B	2334712-6
3.16 g	BLACK	YES	KEY CODE A	2334712-5
3.06 g	BLUE	NO	KEY CODE D	2334712-4
3.06 g	GRAY	NO	KEY CODE C	2334712-3
3.06 g	IVORY	NO	KEY CODE B	2334712-2
3.06 g	BLACK	NO	KEY CODE A	2334712-1
WEIGHT	HOUSING COLOR	CPA	HOUSING	PART NUMBER

THIS DRAWING IS A CONTROLLED DOCUMENT. DIMENSIONS: mm. TOLERANCES UNLESS OTHERWISE SPECIFIED: 0 PLC ±0.15, 1 PLC ±0.15, 2 PLC ±0.15, 3 PLC ±0.15, 4 PLC ±0.001, 5 PLCS ±0.001. MATERIAL: PBT. FINISH: -.

DMN: V. UMARJI 12APR2018
 CHK: D. SZCZESNY 13APR2018
 APVD: D. SZCZESNY 13APR2018

NAME: PLUG ASSY, 16 POSN HYBRID, 2 ROW, 1.8 CENTERLINE, GEN 50 (12) MCON (4)
 PRODUCT SPEC: -
 APPLICATION SPEC: -

SIZE: - CAGE CODE: - DRAWING NO: A100779 ©=2334712
 WEIGHT: -
 CUSTOMER DRAWING: -

TE Connectivity
 SCALE: 4:1 SHEET 1 OF 1 REV A2