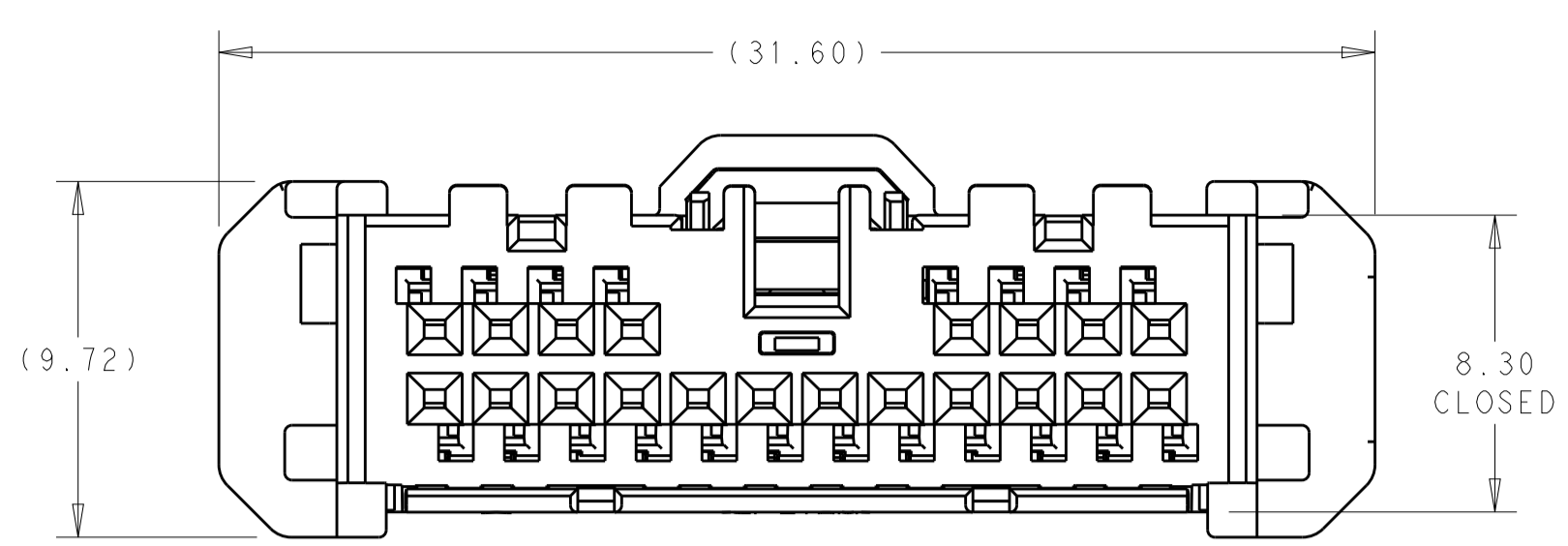
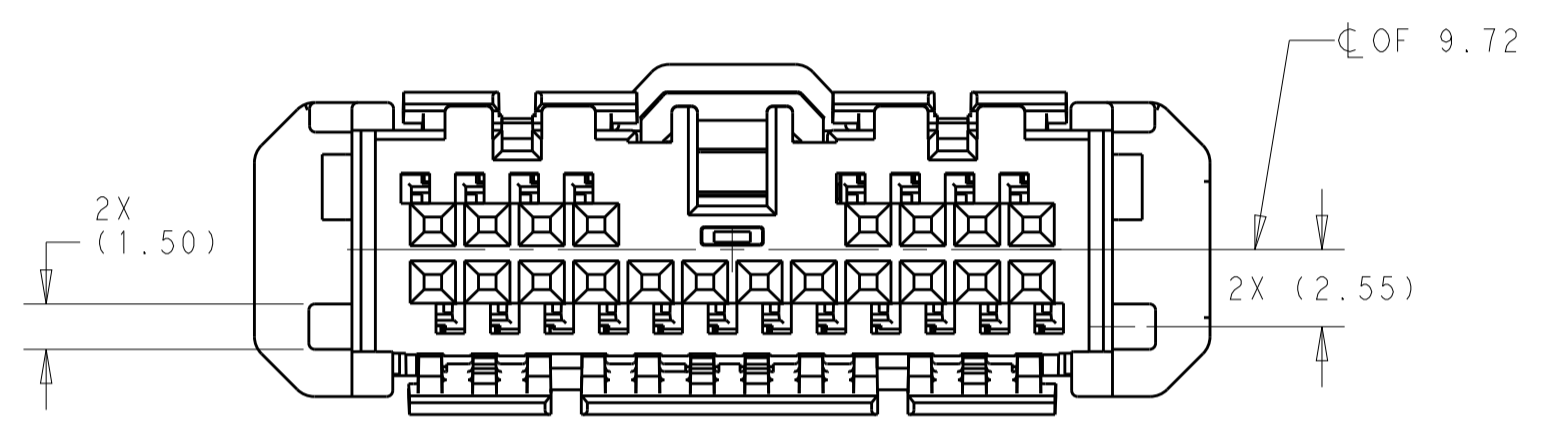


REVISIONS				
P.	LTN	DESCRIPTION	DATE	DMN APVD
A		RELEASED	17MAY2018	HM CJ
A1		REV PER ECO-18-014112	02MAY2019	CJ CJ
A2		REV PER ECO-19-015720	29OCT2019	CJ CJ

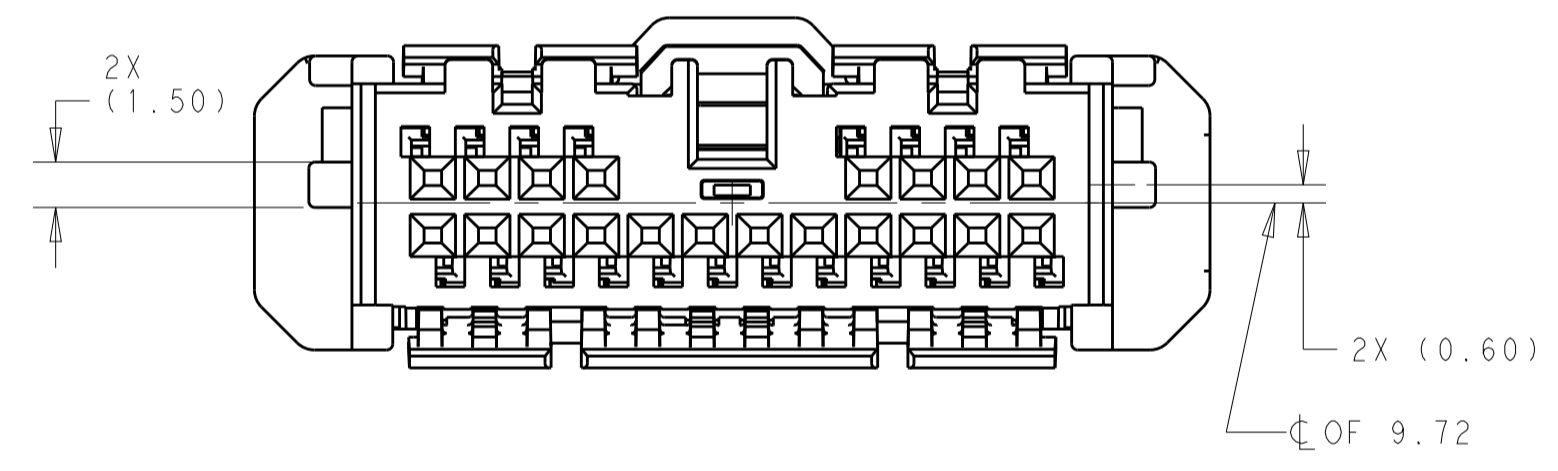


REF VIEW
ISL SHOWN CLOSED
SCALE 5:1

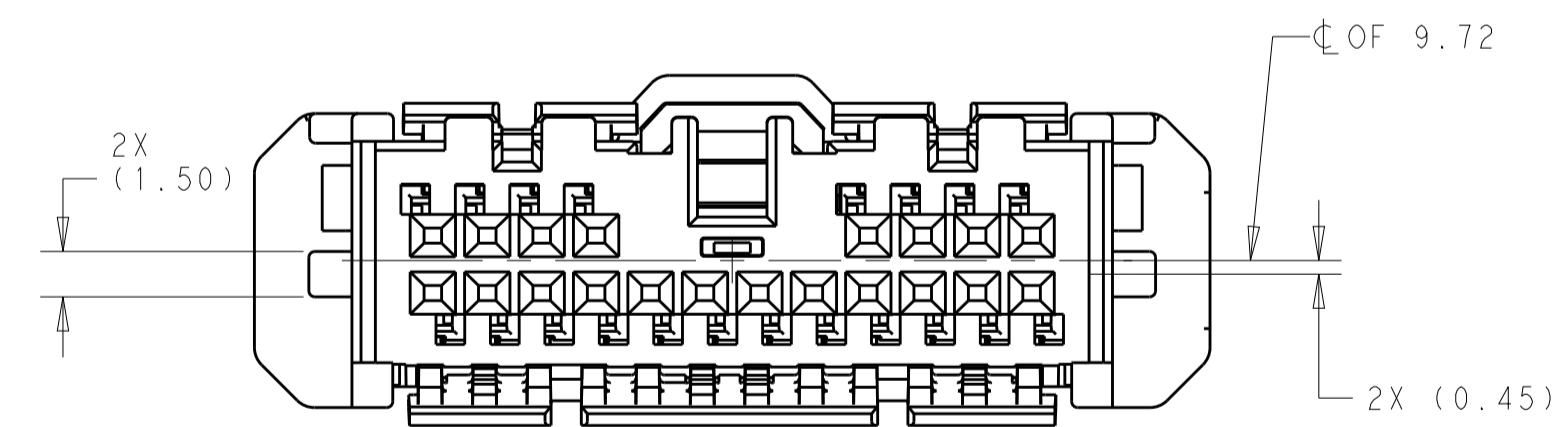
- △ MATERIAL: PLUG HOUSING - PBT, 15% GLASS FILLED - COLOR; SEE CHART
CPA - PBT, 15% GLASS FILLED - COLOR; RED
- △ CPA SHOWN IN PRE-STAGED, AS SHIPPED POSITION
- 3. THIS CONNECTOR INTENDED FOR USCAR-2, REV 5, TEMP CLASS 2, VIBRATION CLASS 1.
- 4. CONNECTOR COMPLIES WITH USCAR-25, REV 1, CLASS 2
- 5. CONTACT TE CONNECTIVITY FOR FEMALE TERMINAL PART NUMBER
- 6. WIRE DRESS IS SOLD SEPARATELY
- 7. USE TERMINAL PN 2098583-X



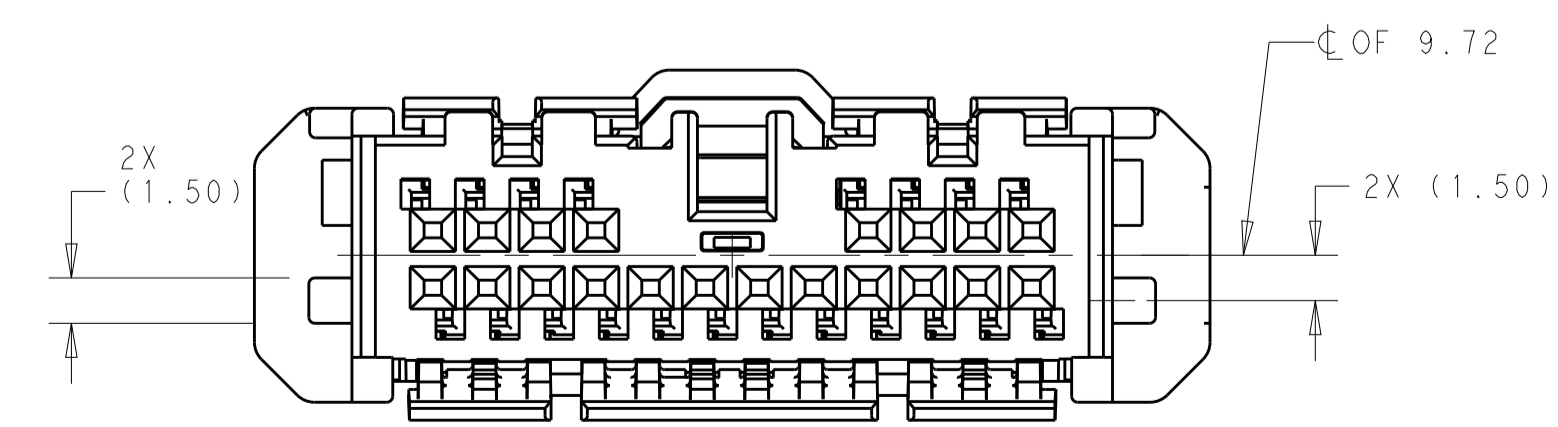
KEY CODE A
SCALE 4:1



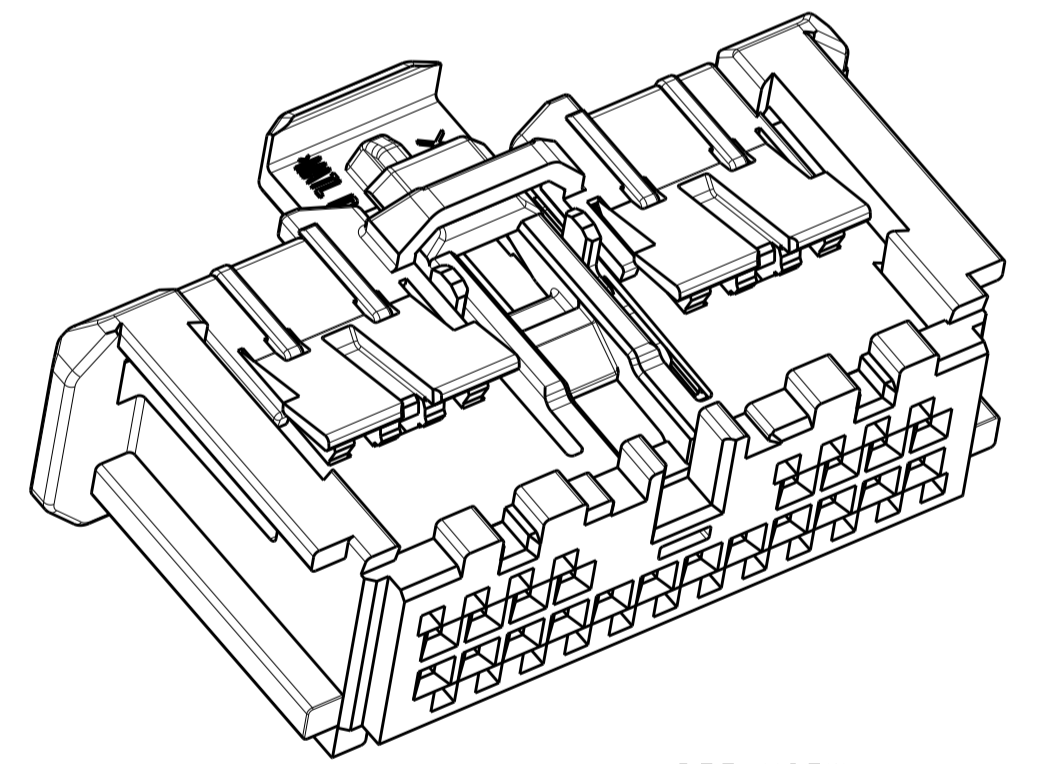
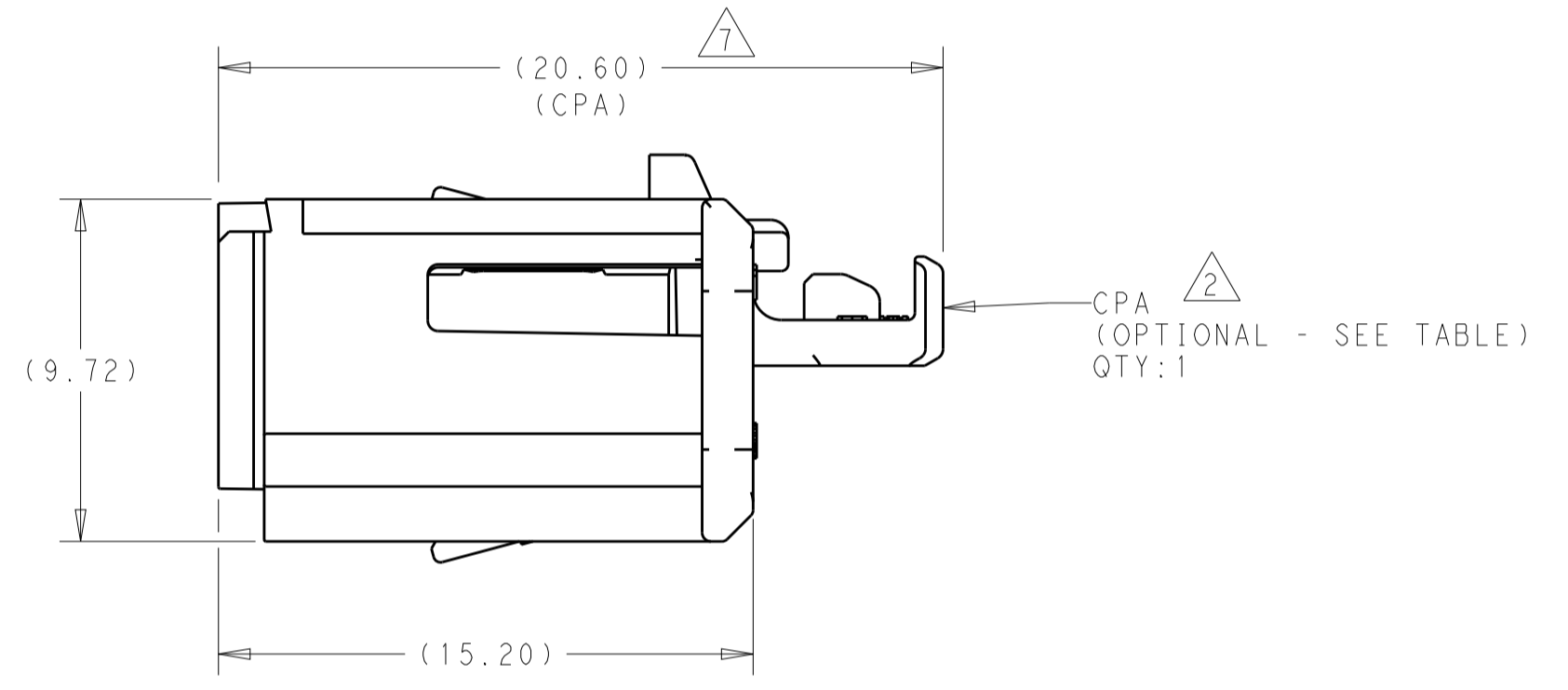
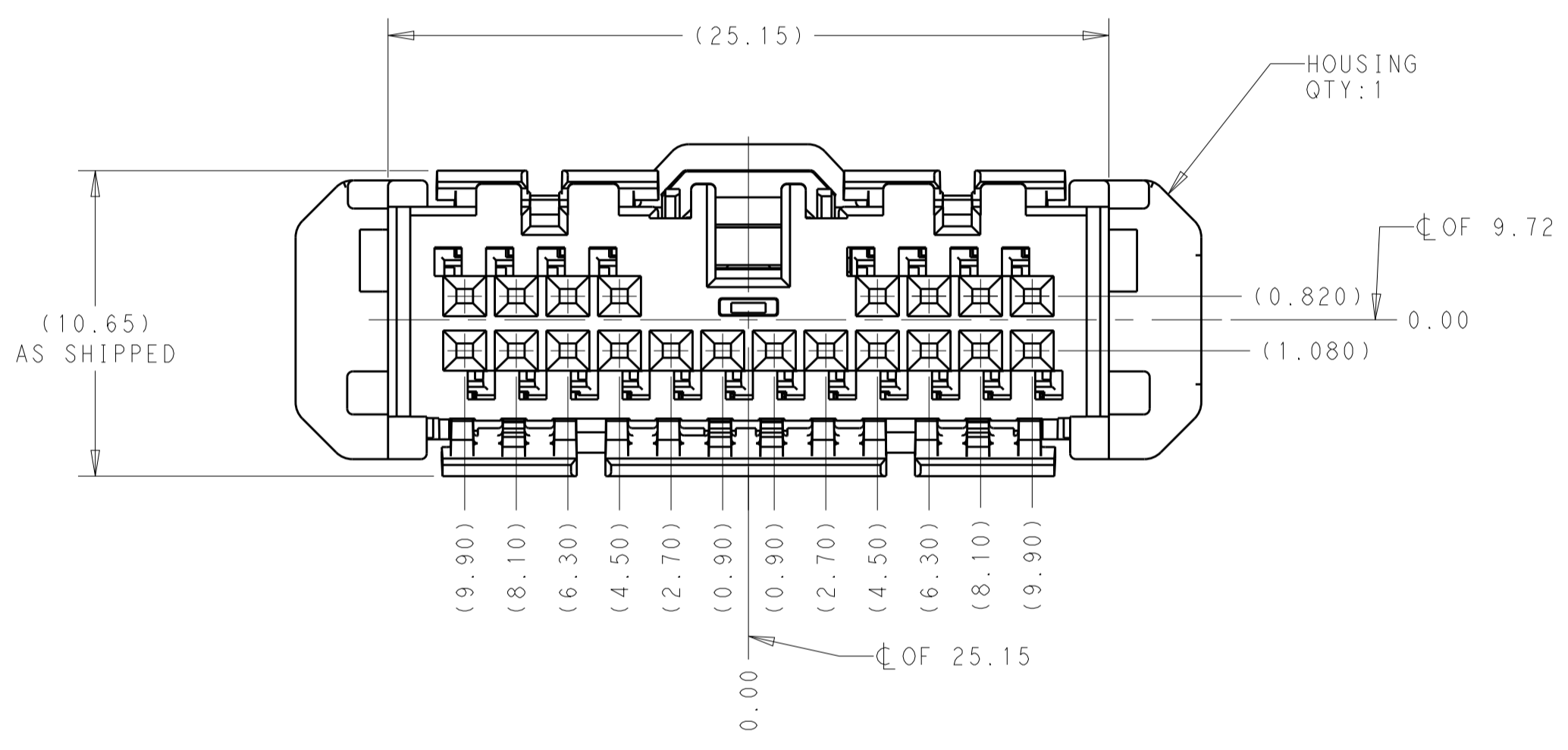
KEY CODE B
SCALE 4:1



KEY CODE C
SCALE 4:1



KEY CODE D
SCALE 4:1



REF VIEW
SCALE 4:1

2.85 g	YES	BLUE	KEY CODE D	2334713-8
2.85 g	YES	GRAY	KEY CODE C	2334713-7
2.85 g	YES	IVORY	KEY CODE B	2334713-6
2.85 g	YES	BLACK	KEY CODE A	2334713-5
2.75 g	NO	BLUE	KEY CODE D	2334713-4
2.75 g	NO	GRAY	KEY CODE C	2334713-3
2.75 g	NO	IVORY	KEY CODE B	2334713-2
2.75 g	NO	BLACK	KEY CODE A	2334713-1
WEIGHT	CPA	COLOR	HOUSING	PART NUMBER

THIS DRAWING IS A CONTROLLED DOCUMENT. DWN: V. UMARJI 12APR2018
 CHK: D. SZCZESNY 13APR2018
 APVD: D. SZCZESNY 13APR2018

TE Connectivity

PLUG ASSEMBLY, 20 POSN, 1.80 CENTERLINE, UNSEALED, GENERATION 50

NAME: PLUG ASSEMBLY, 20 POSN, 1.80 CENTERLINE, UNSEALED, GENERATION 50

SIZE: A1 CAGE CODE: DRAWING NO: C=2334713 RESTRICTED TO: -

WEIGHT: SEE TABLE A1 SCALE: 5:1 SHEET: 1 OF 1 REV: A2

CUSTOMER DRAWING