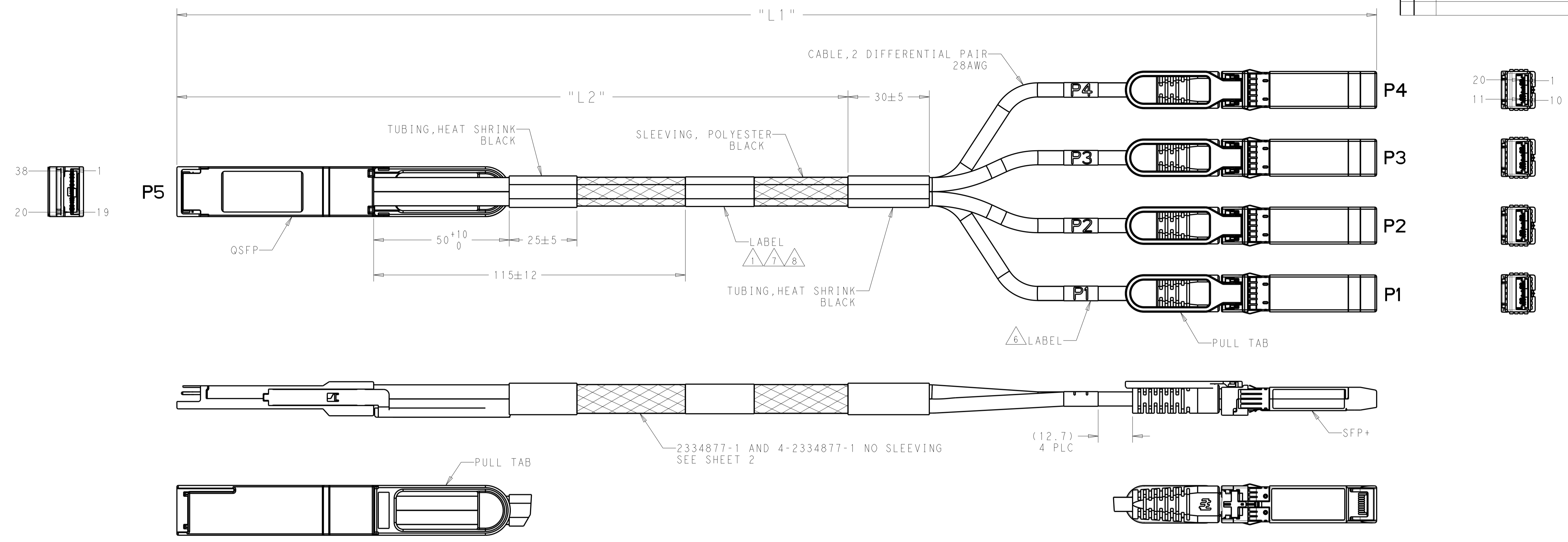


REVISIONS				
P	LTN	DESCRIPTION	DATE	APVD
A		PER ECO-18-020143	31DEC2018	MY GF
B		REVISED PER ECO-20-004723	02APR2020	REH GF
C		REVISED PER ECO-21-005382	30APR2021	KK AK



△ LABEL INFORMATION FOR 25 GIG PMS (-1 THRU -8): -1 SHOWN

TE PN	2334877-1
LENGTH - CABLE GAGE	0.5M - 28AWG
SERIAL NUMBER: INCLUDES PN, MANUFACTURING LOCATION, AND DATE CODE	PPPPPLYWSSS
SERIAL NUMBER BARCODE - CODE 39	
COUNTRY OF ORIGIN	MADE IN .....

- 2. SEE SHEET 2 FOR WIRING SCHEMATIC.
- 3. PRODUCT AND PROCESSING MUST MEET THE REQUIREMENTS OF TE SPECIFICATION TEC-138-702.
- 4. CABLE ASSEMBLY TO BE TESTED FOR OPENS, SHORTS AND PROPER EEPROM PROGRAM.

△ TEST IN ACCORDANCE WITH IEEE802.3bj.

△ LABEL INFORMATION: P1 SHOWN

	← APPROPRIATE "P" NUMBER
--	--------------------------

△ SEE SHEET 2 FOR 2334877-1 AND 4-2334877-1 LABEL PLACEMENT.

△ LABEL INFORMATION FOR 56 GIG PMS (-41 THRU -45): -41 SHOWN

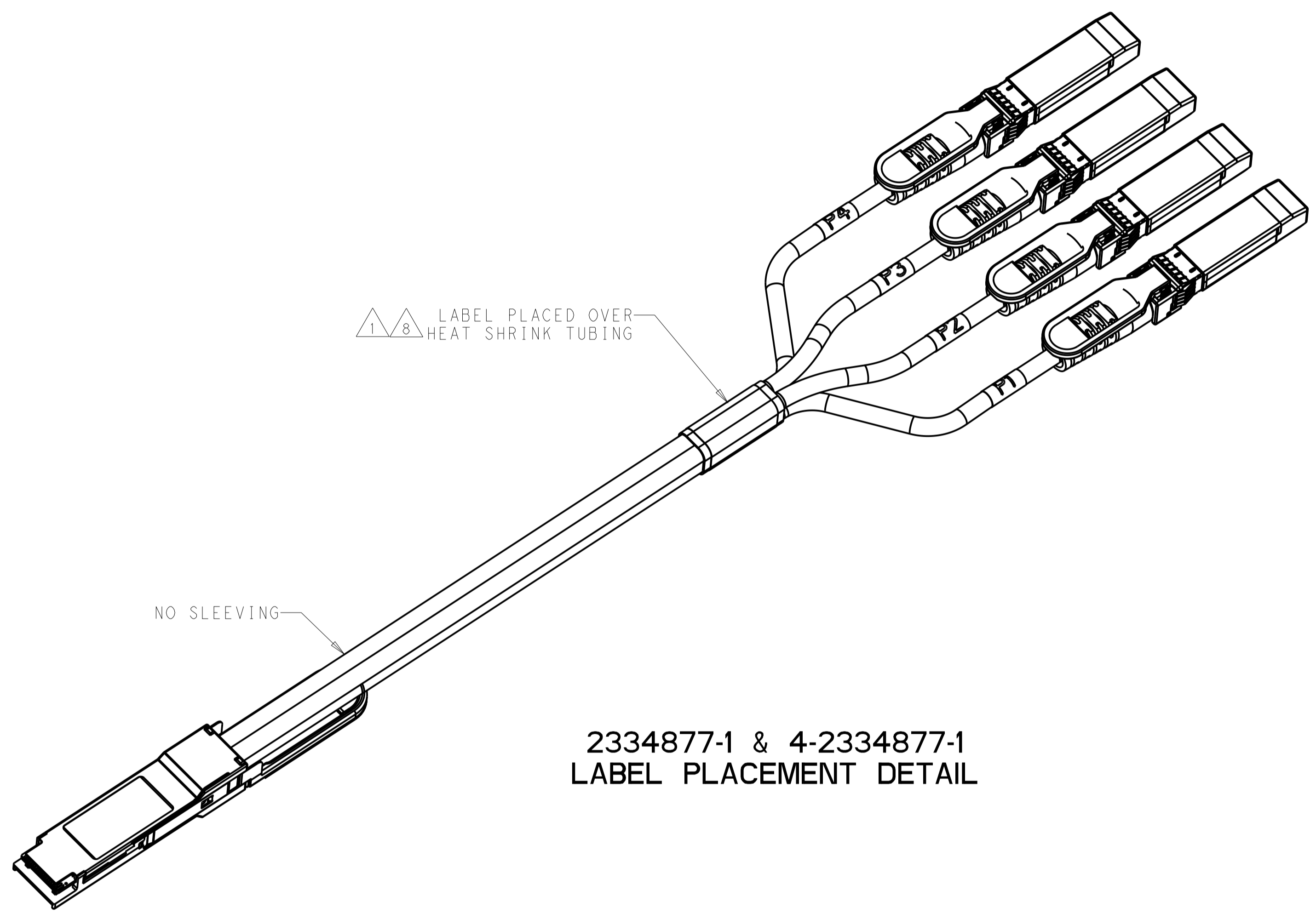
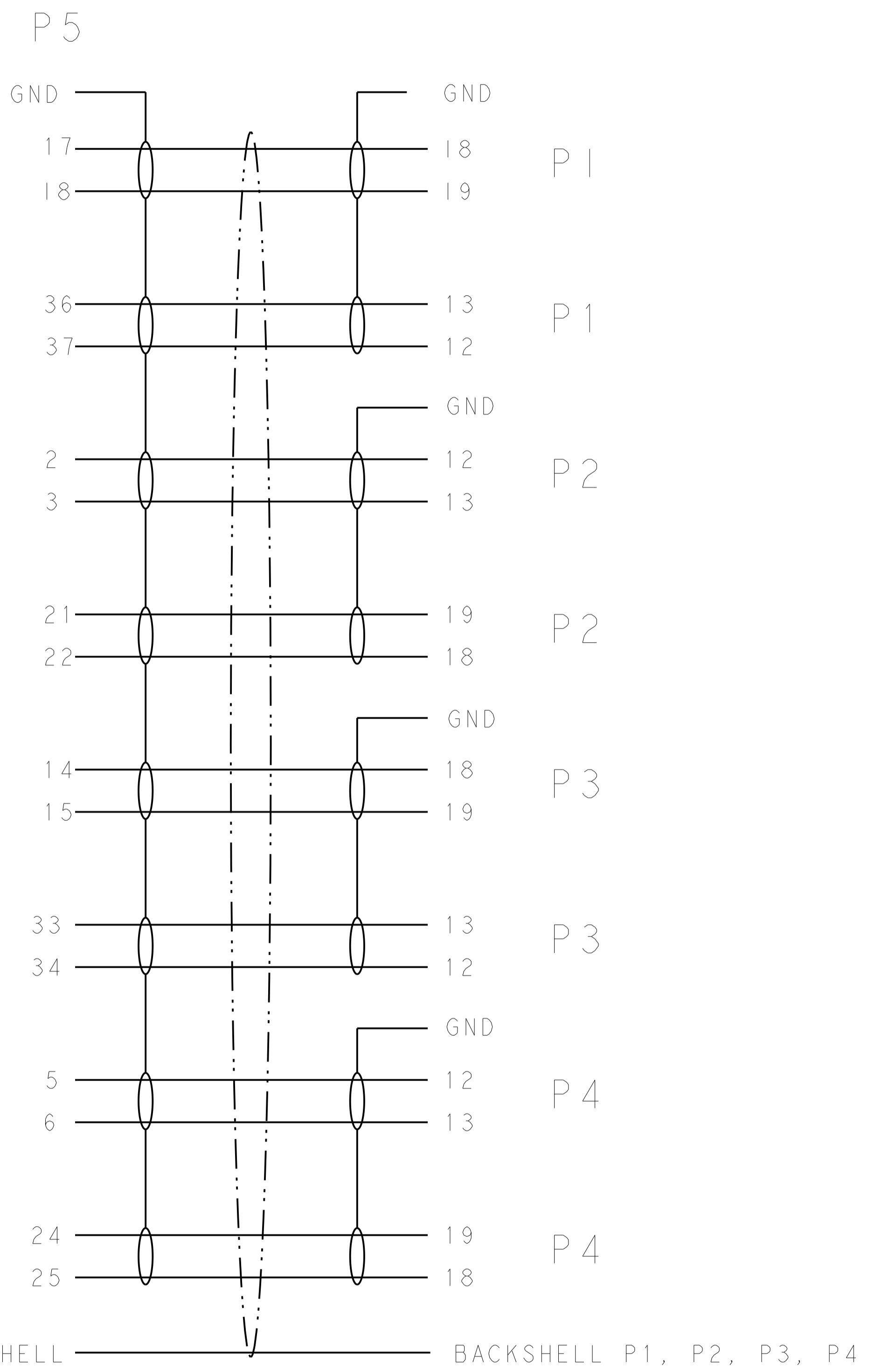
TE PN	4-2334877-1
LENGTH - CABLE GAGE	0.5M - 28AWG
SERIAL NUMBER: INCLUDES PN, MANUFACTURING LOCATION, AND DATE CODE	PPPPPLYWSSS
SERIAL NUMBER BARCODE - CODE 39	
COUNTRY OF ORIGIN	MADE IN .....

△ DASH NUMBER 41 THRU 45 CONFORM TO 56G, PAM-4 IEEE802.3CD PERFORMANCE REQUIREMENTS.

GAGE	STANDARD	SIZE		PART NO
		"L2"	"L1"	
△9	28	1000 ±25	2500 +80/-0	4-2334877-5
	28	700 ±25	2000 +80/-0	4-2334877-4
	28	500 ±25	1500 +50/-0	4-2334877-3
	28	330 ±25	1000 +50/-0	4-2334877-2
	28	120 ±12	500 +50/-0	4-2334877-1
△5	28	2000 ±25	4000 +80/-0	2334877-8
	28	2000 ±25	3500 +80/-0	2334877-7
	28	1000 ±25	3000 +80/-0	2334877-6
	28	1000 ±25	2500 +80/-0	2334877-5
	28	700 ±25	2000 +80/-0	2334877-4
	28	500 ±25	1500 +50/-0	2334877-3
	28	330 ±25	1000 +50/-0	2334877-2
	28	120 ±12	500 +50/-0	2334877-1

THIS DRAWING IS A CONTROLLED DOCUMENT.		OWN: Y1 02MAY2018		TE Connectivity
DIMENSIONS: mm		CHK: G. FRANKLIN 02MAY2018		NAME: CABLE ASSEMBLY, QSFP28 TO (4) SFP+ 28AWG
TOLERANCES UNLESS OTHERWISE SPECIFIED:		APVD: G. FRANKLIN 02MAY2018	PRODUCT SPEC: -	
MATERIAL: -		FINISH: -	APPLICATION SPEC: -	
WEIGHT: -		SIZE: CAGE CODE: DRAWING NO: A100779C=2332877		
CUSTOMER DRAWING		SCALE: 5:4 SHEET 1 OF 2 REV C		

REVISIONS				
P	LTN	DESCRIPTION	DATE	APVD
-	-	SEE SHEET 1	-	-



2334877-1 & 4-2334877-1  
LABEL PLACEMENT DETAIL

THIS DRAWING IS A CONTROLLED DOCUMENT.		OWN: Y1 02MAY2018	
DIMENSIONS: mm		CHK: G. FRANKLIN 02MAY2018	
TOLERANCES UNLESS OTHERWISE SPECIFIED:		APVD: G. FRANKLIN 02MAY2018	NAME: CABLE ASSEMBLY, QSFP28 TO (4) SFP+ 28AWG
0 PLC ±	1 PLC ±	PRODUCT SPEC	SIZE: A
2 PLC ±	3 PLC ±	APPLICATION SPEC	CAGE CODE: 00779
4 PLC ±	ANGLES ±	WEIGHT	DRAWING NO: 2332877
MATERIAL	FINISH	CUSTOMER DRAWING	RESTRICTED TO
SCALE: 3:2			SHEET 2 OF 2
REV: C			