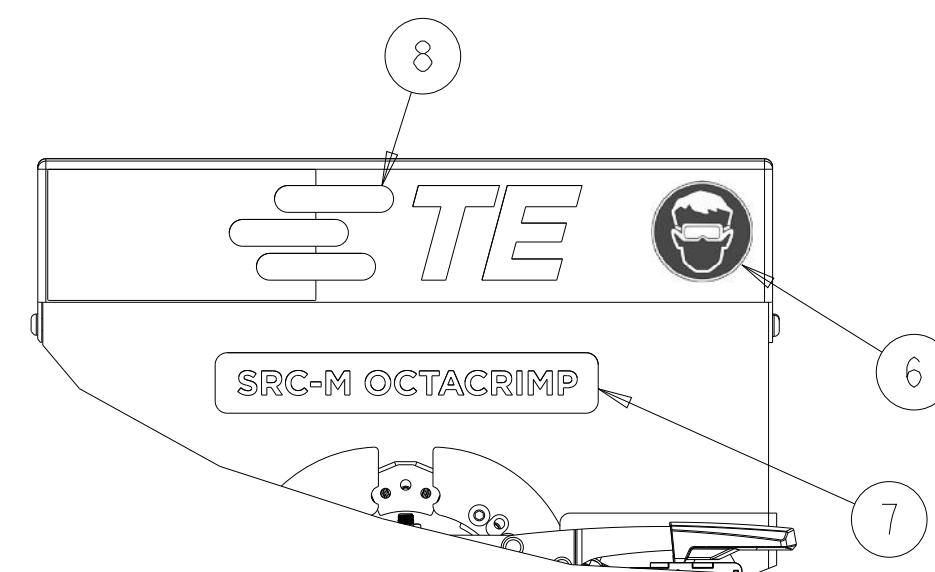


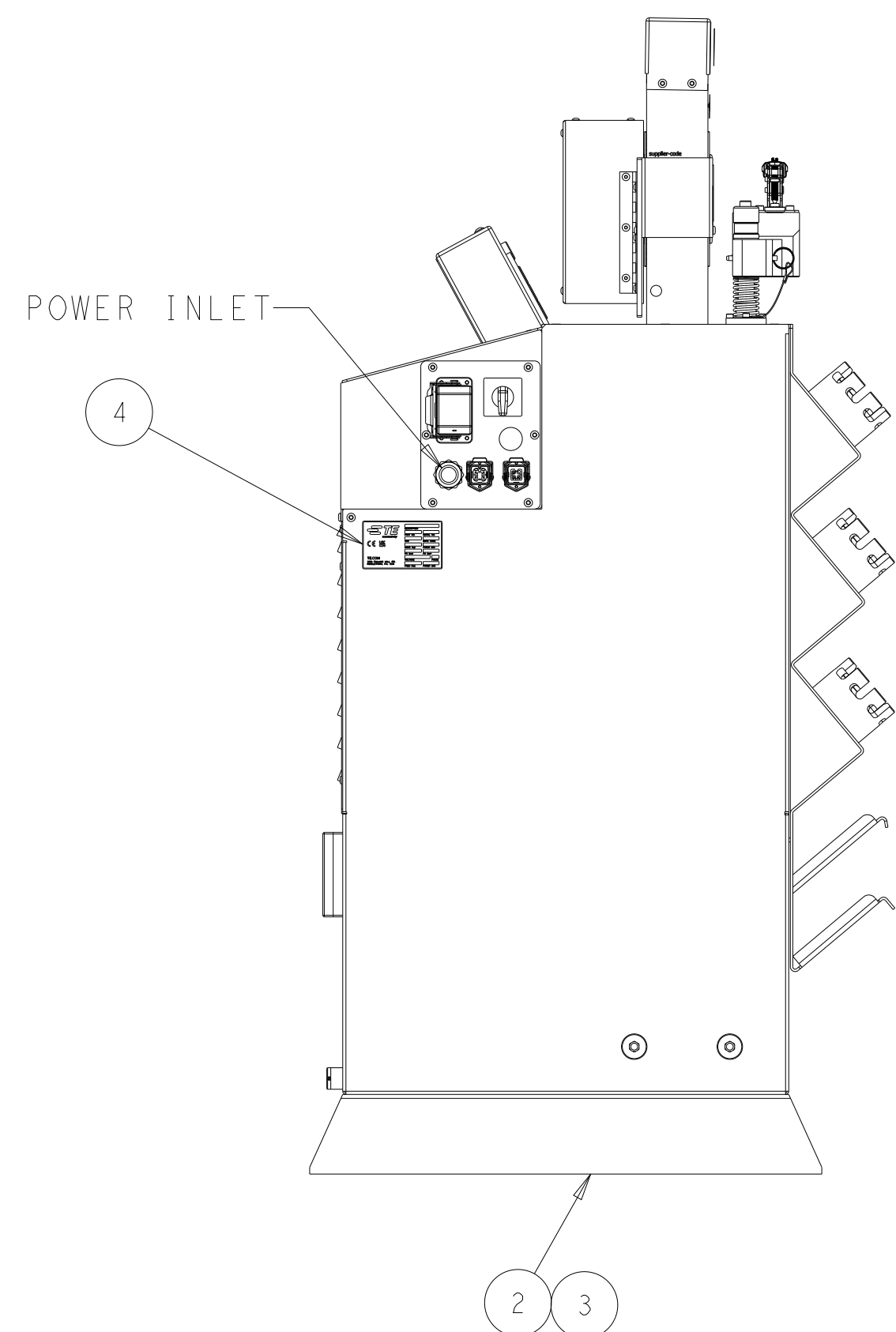
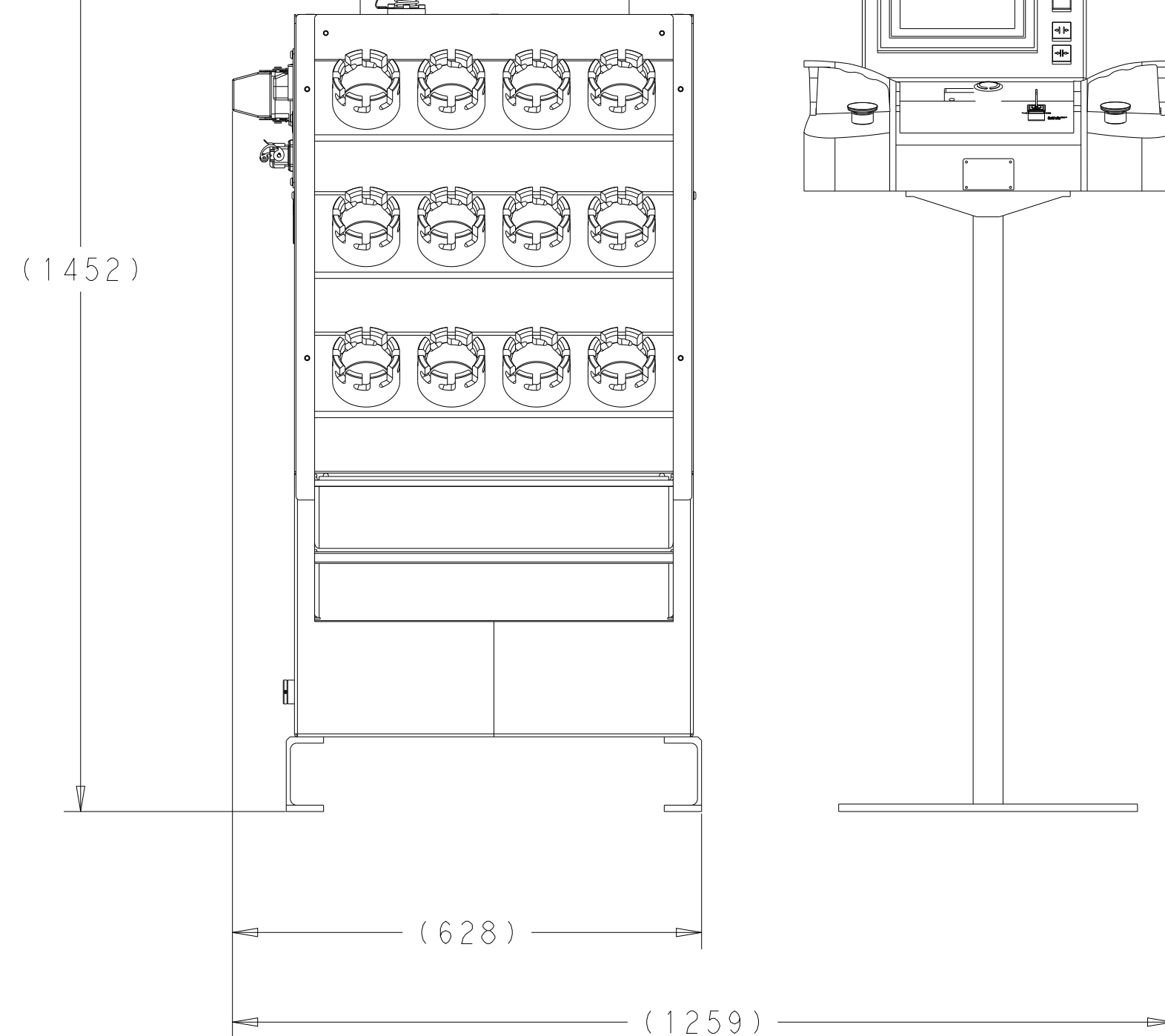
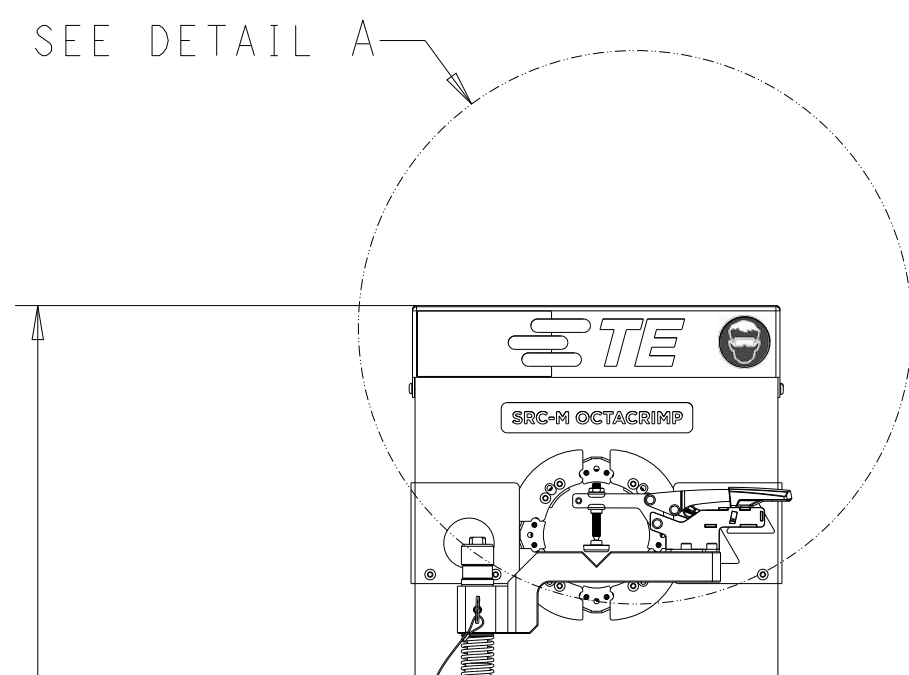
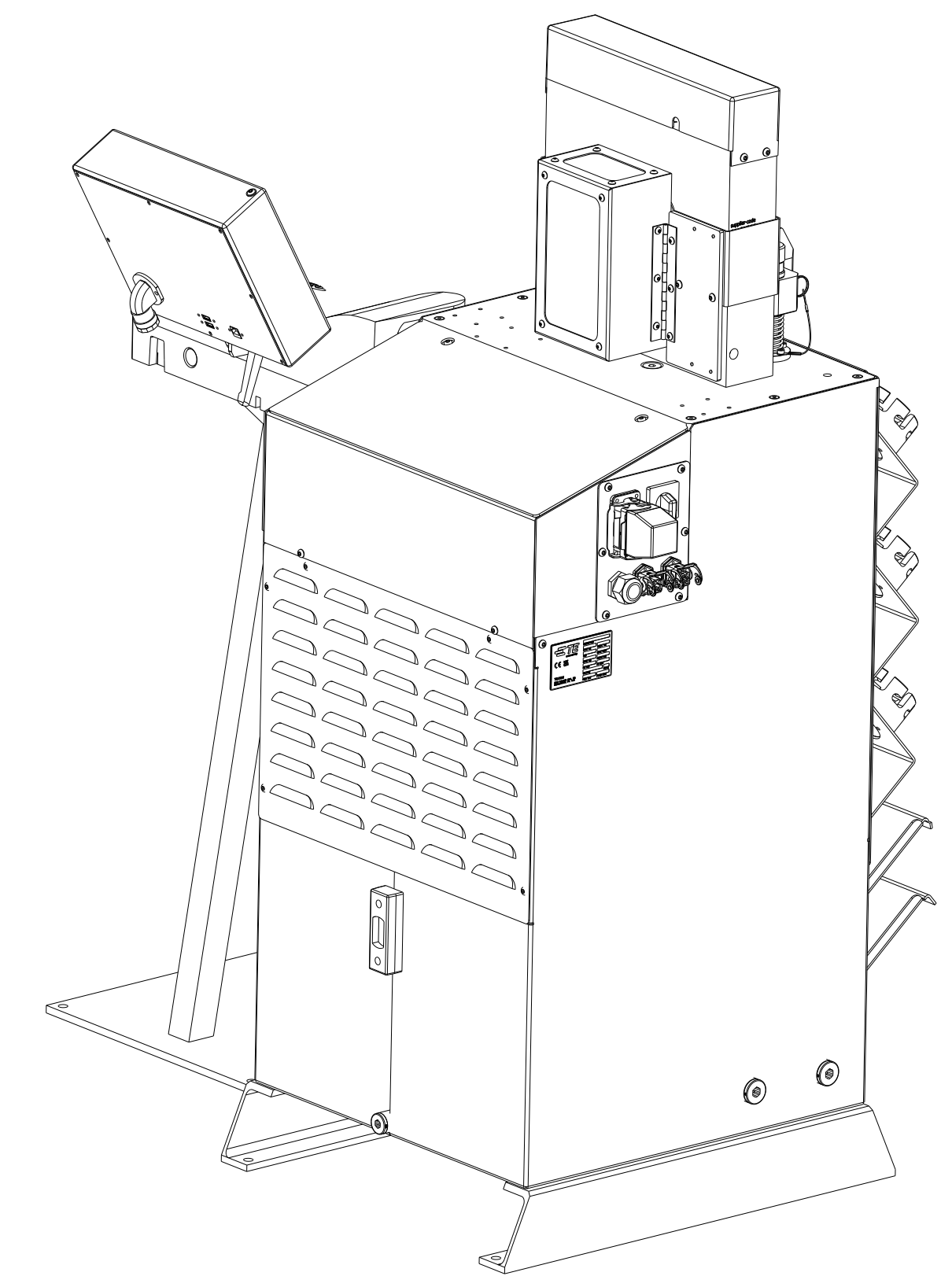
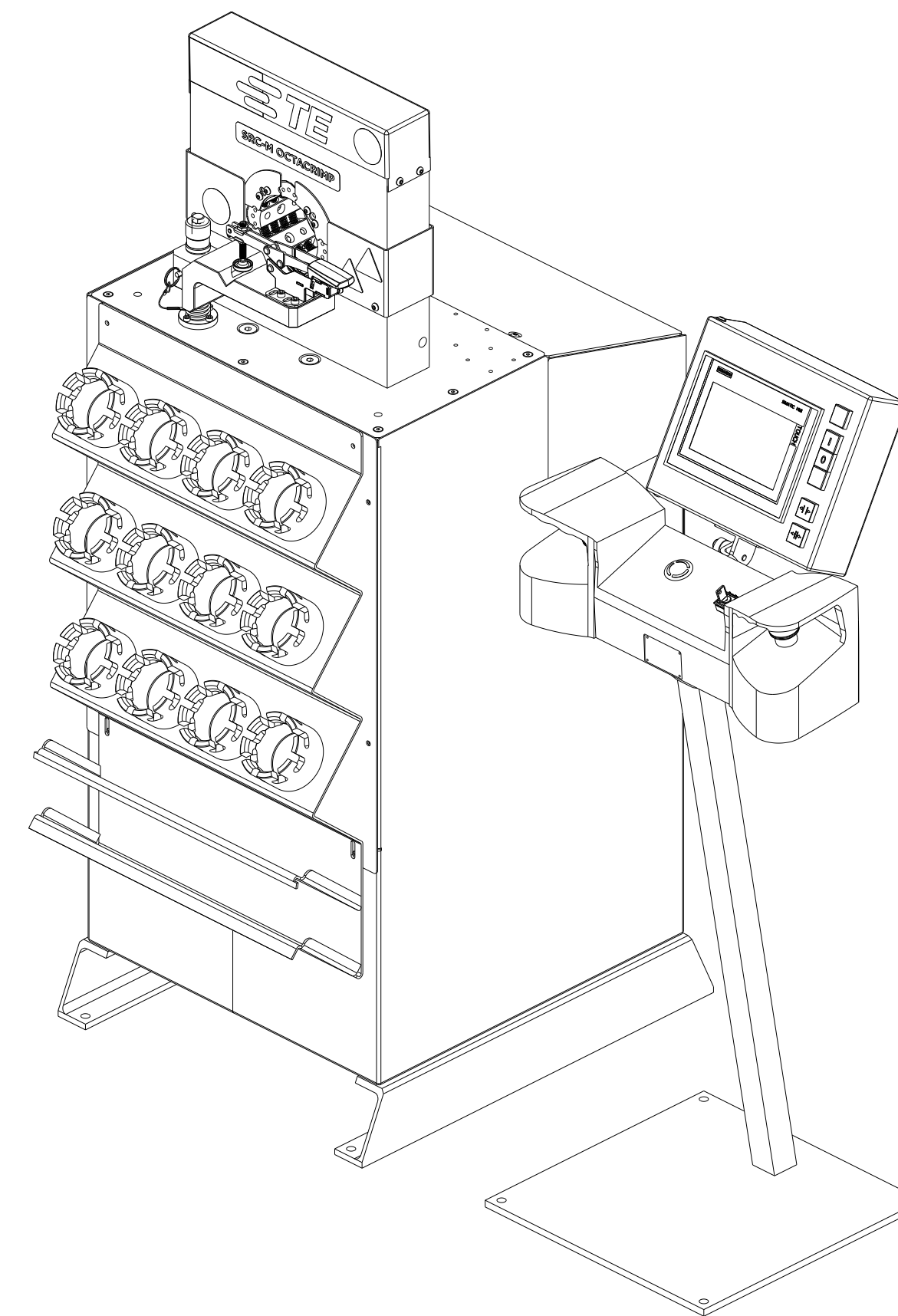
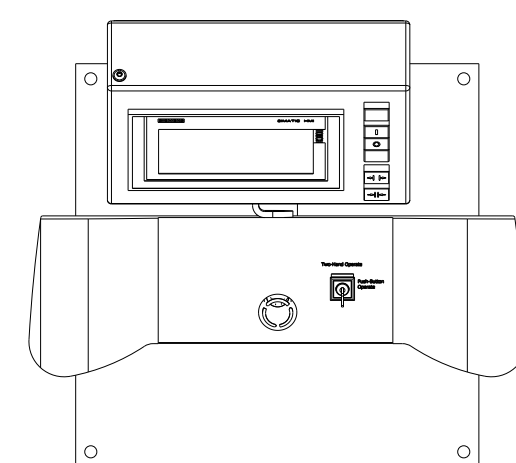
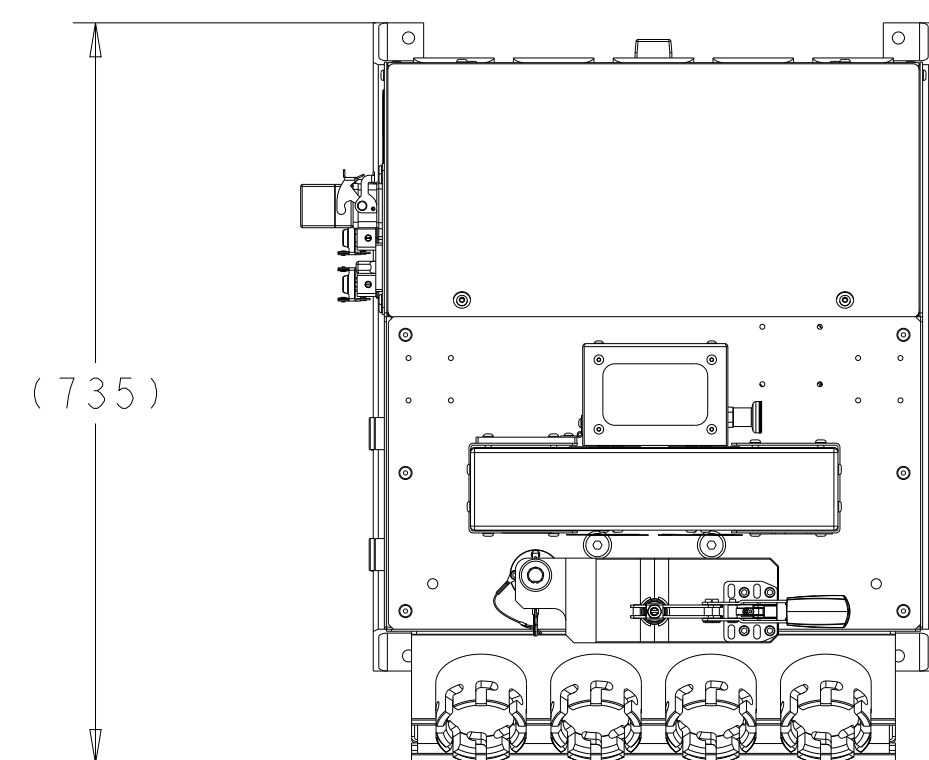
PART NUMBER	REV	FIRST USED	MACHINE STYLE
2335600-1	D	-	NON COM
2335600-2	D	-	WITH COM

REVISIONS				
P	LTN	DESCRIPTION	DATE	APVD
C		RELEASED	01NOV2023	DJG VA
D		ECR-24-211278	12JUN2024	GC DS



DETAIL A
SCALE 4:15

- 1. RECOMMENDED SPARE PARTS: NONE.
- 2. ITEM NOT SHOWN.
- 3. OPTIONAL CALIBRATION KIT.



2	REF	REF	-	2470234-1	FERRULE FITTING	14
2	REF	REF	-	2470233-1	DIE SET	13
2	REF	REF	-	2461011-1	DIE HOLDER	12
2	REF	REF	--	2461010-1	DIE REMOVAL TOOL	11
2	REF	REF	--	2461009-1	CALIBRATION GAGE SET	10
2	REF	REF	--	2461008-1	CALIBRATION MANDREL	9
1	1	-	-	2-2459209-7	LABEL, TE	8
1	1	-	-	2459198-1	LABEL, SRC	7
1	1	-	-	2458973-1	LABEL, SAFETY EYEWARE	6
1	1	-	-	2450340-1	DOCUMENTATION PACKAGE	5
1	1	-	-	2488416-1	NUMBER PLATE, IDENTIFICATION	4
1	-	-	-	2437265-1	KIT, COM II, SRC HM220	3
1	1	-	-	2448087-1	ACCESSORY KIT, RADIAL CRIMPING MACHINE	2
-2	-1	U/M		PART NO	DESCRIPTION	ITEM NO

THIS DRAWING IS A CONTROLLED DOCUMENT. DWN: M. MORRIS 15DEC2022
 CHK: T. BACKENSTOES 15DEC2022
 APVD: T. BACKENSTOES
 NAME: SRC-M OCTACRIMP MACHINE

TE Connectivity

SIZE: A | CAGE CODE: 00779 | DRAWING NO: 2335600 | RESTRICTED TO: -
 WEIGHT: - | SCALE: 2:15 | SHEET: 1 OF 1 | REV: D