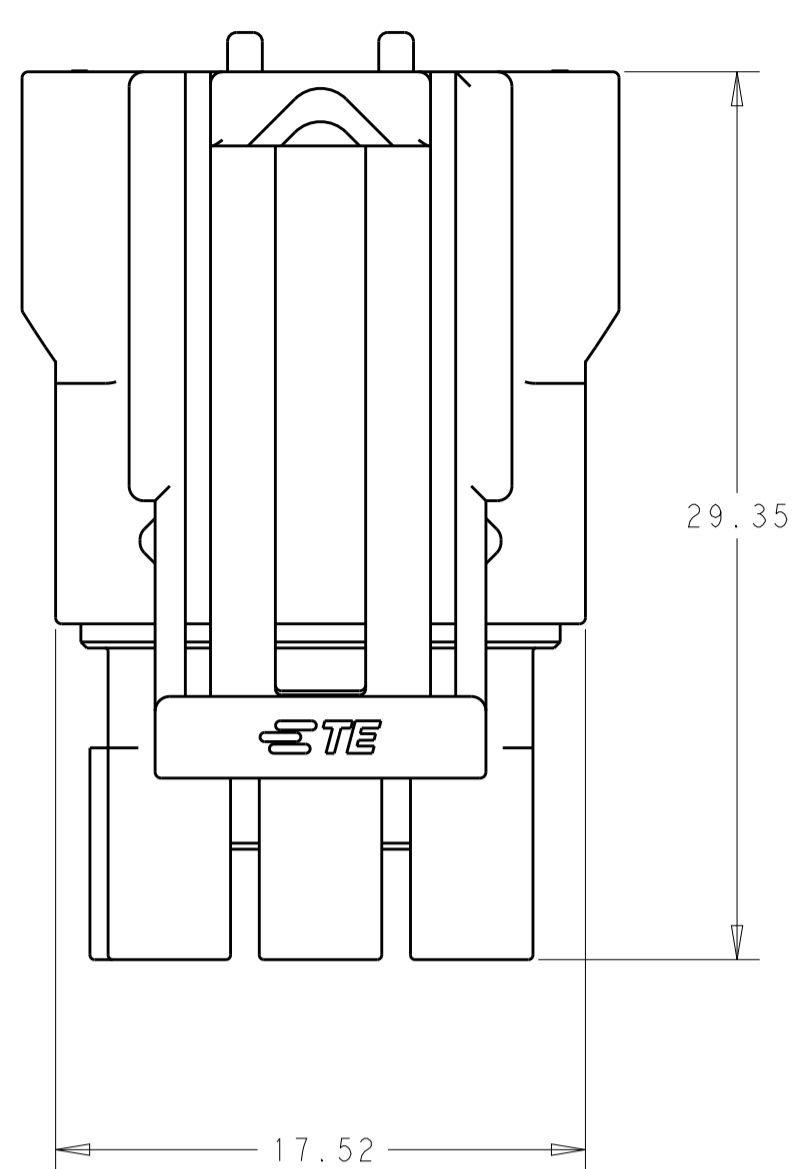
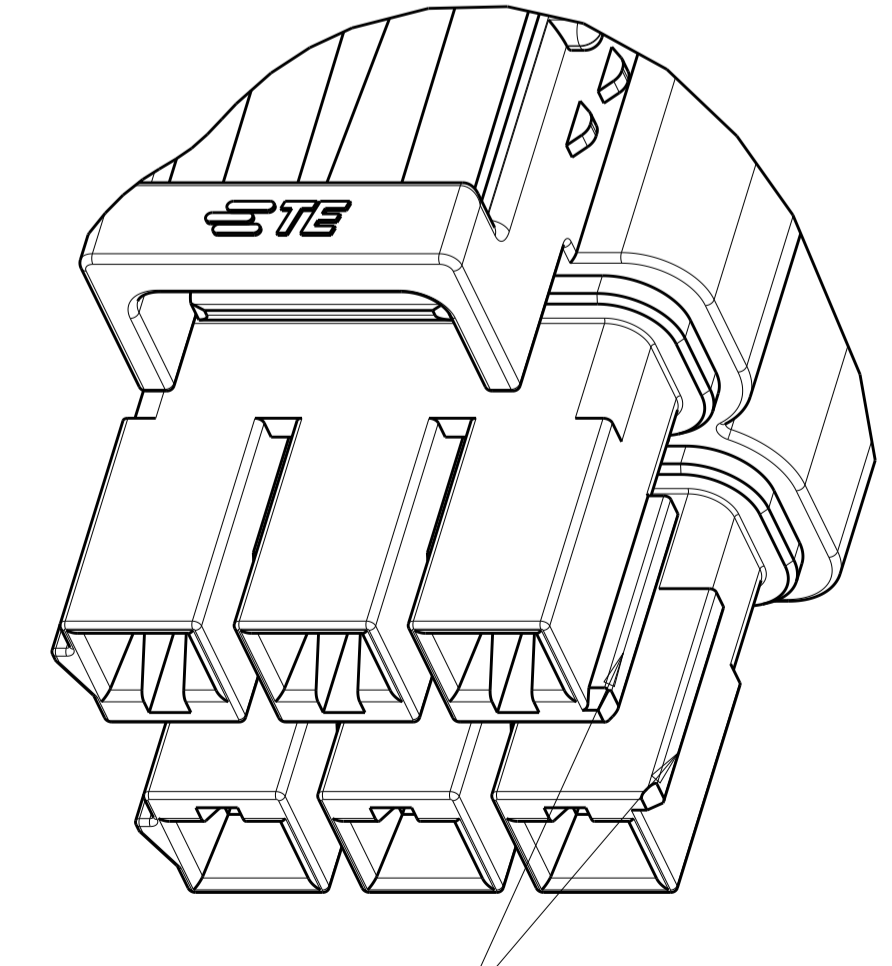
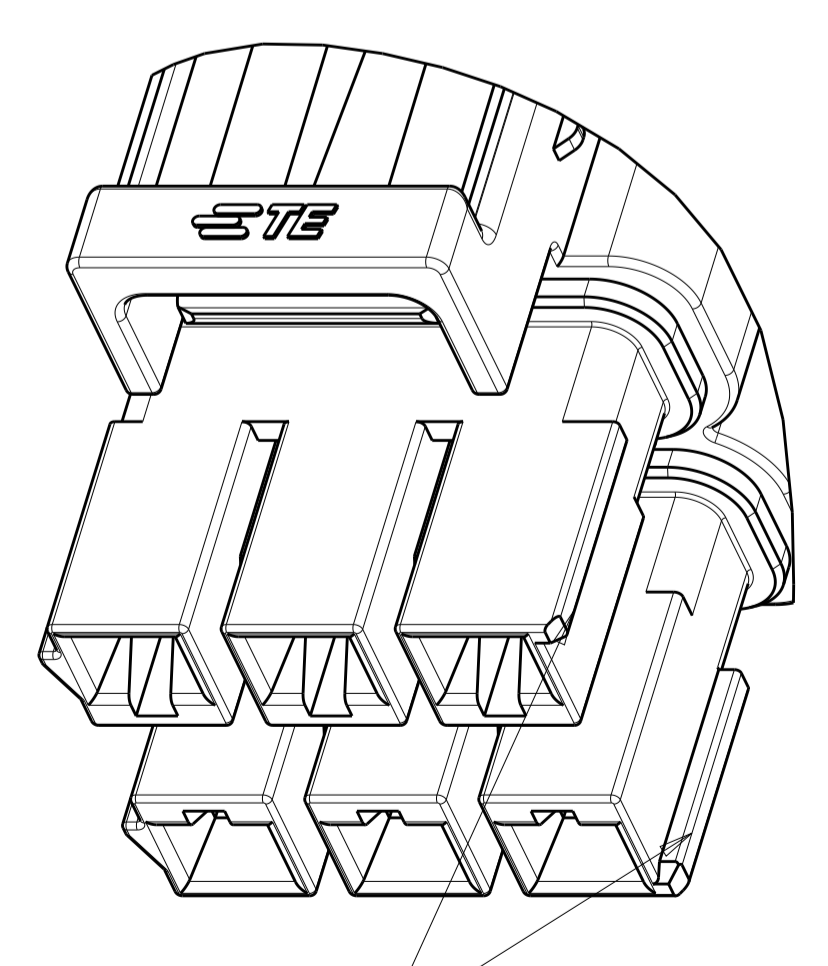
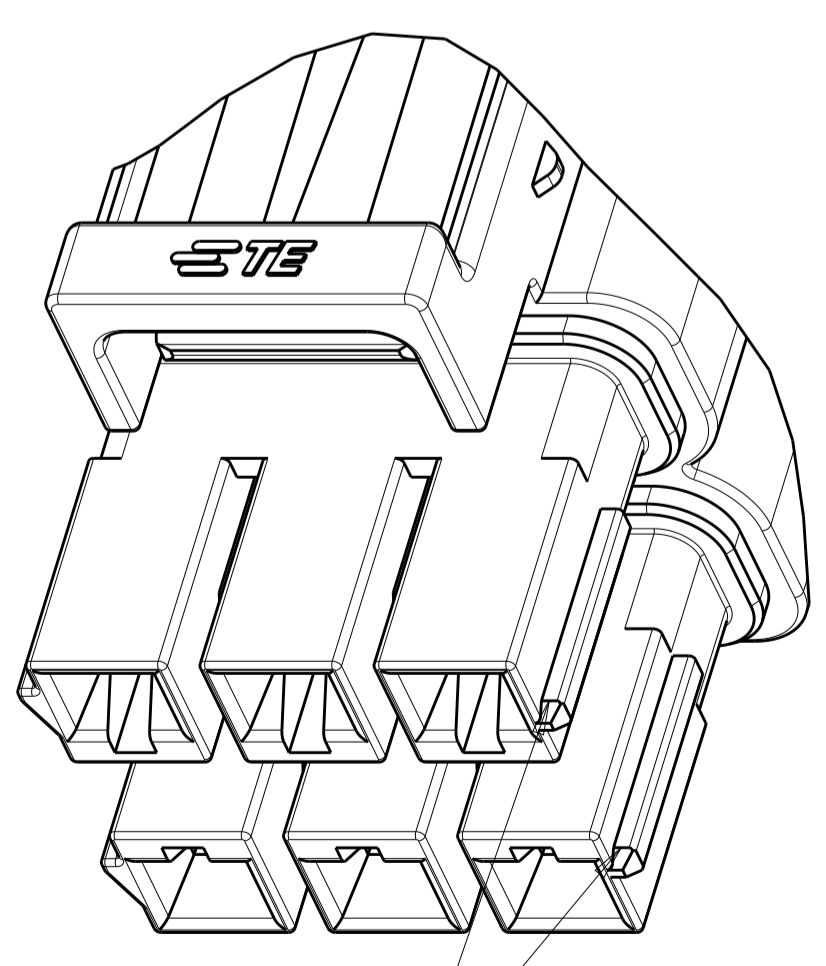
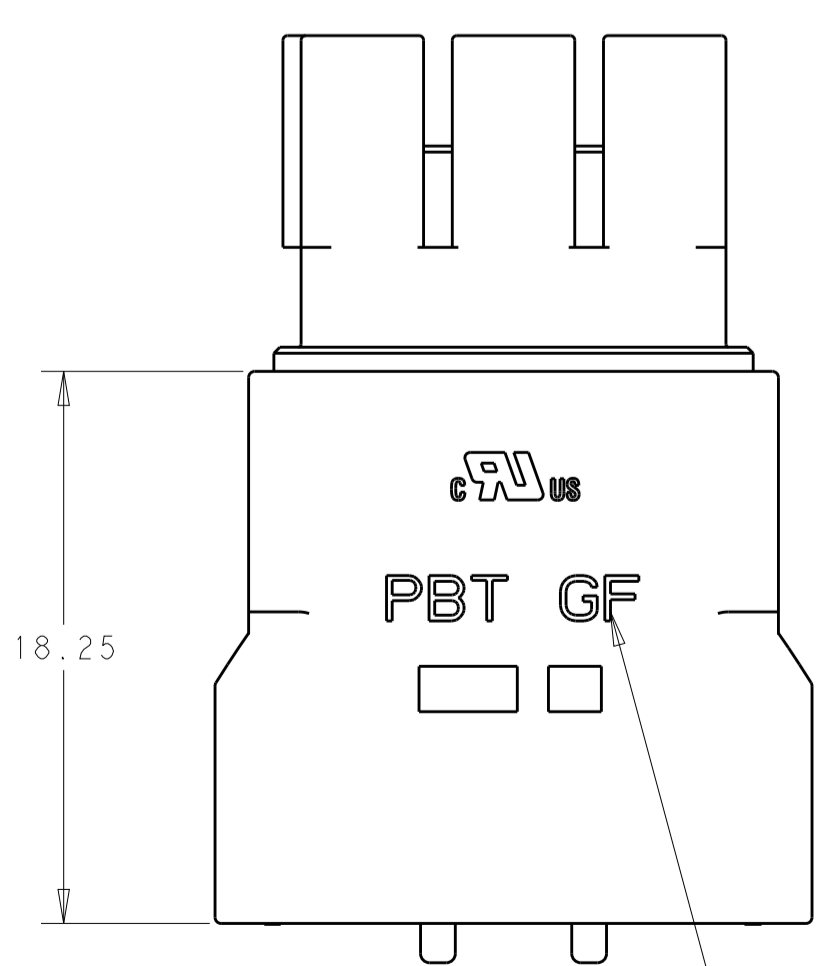
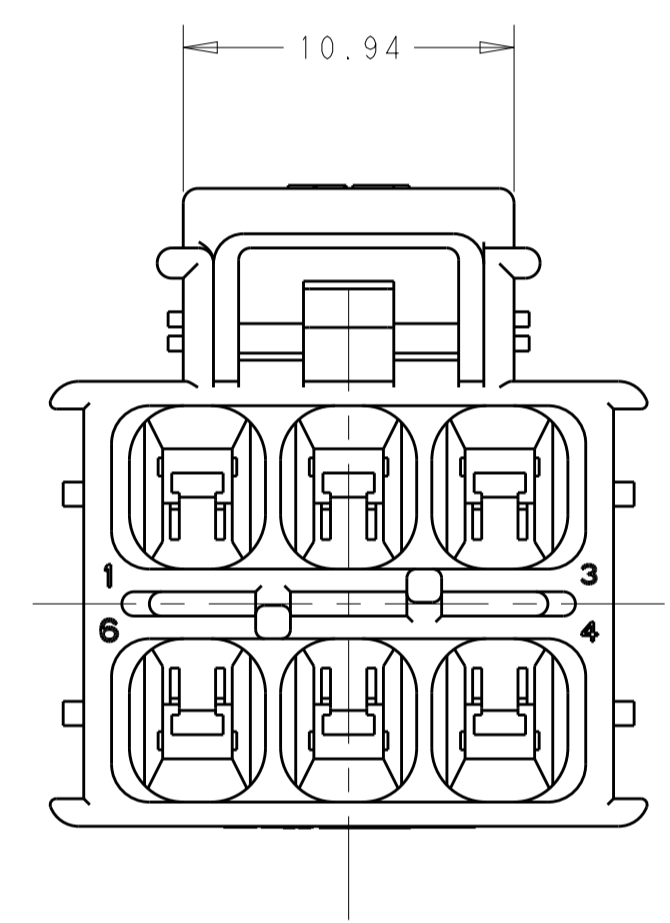
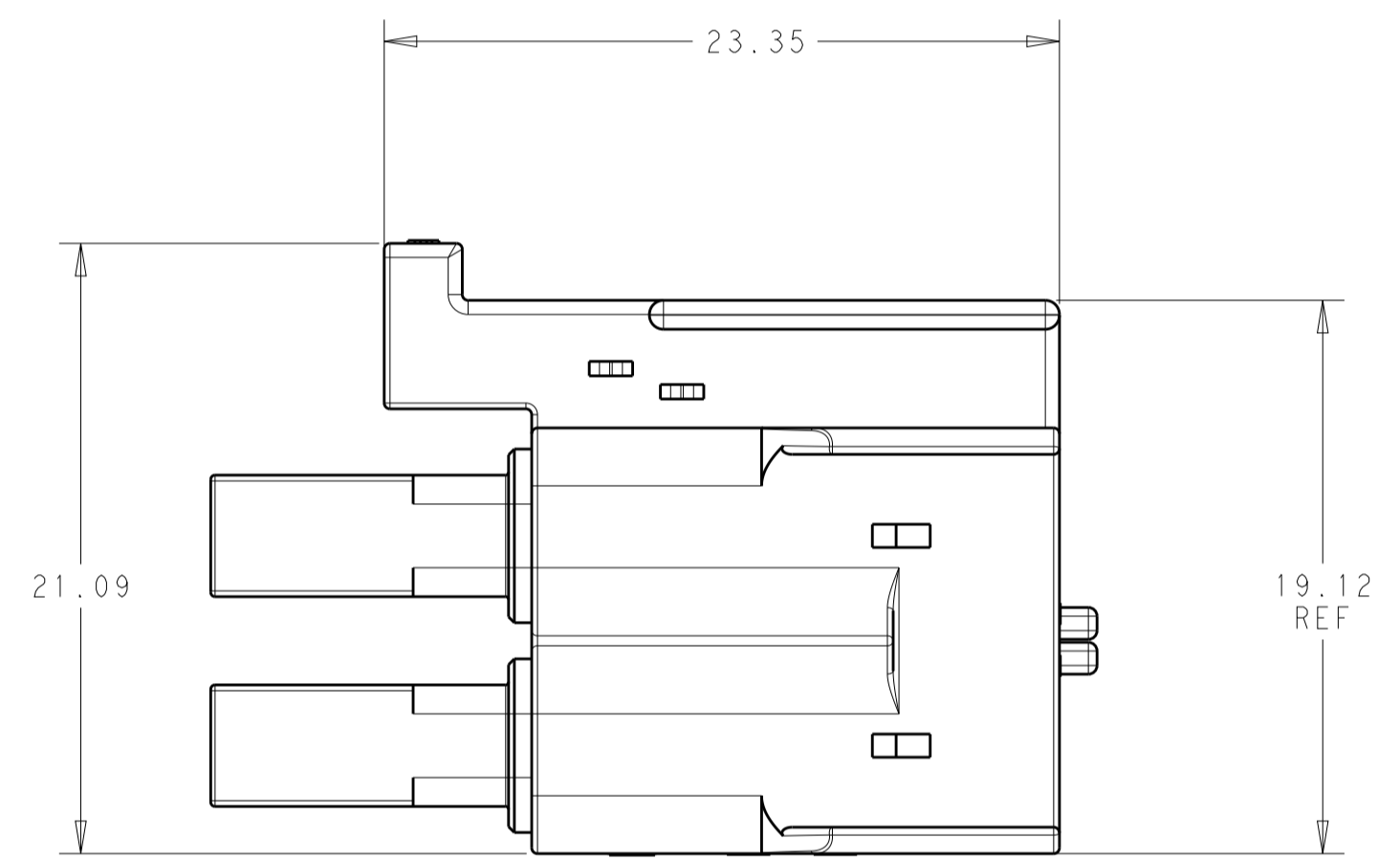
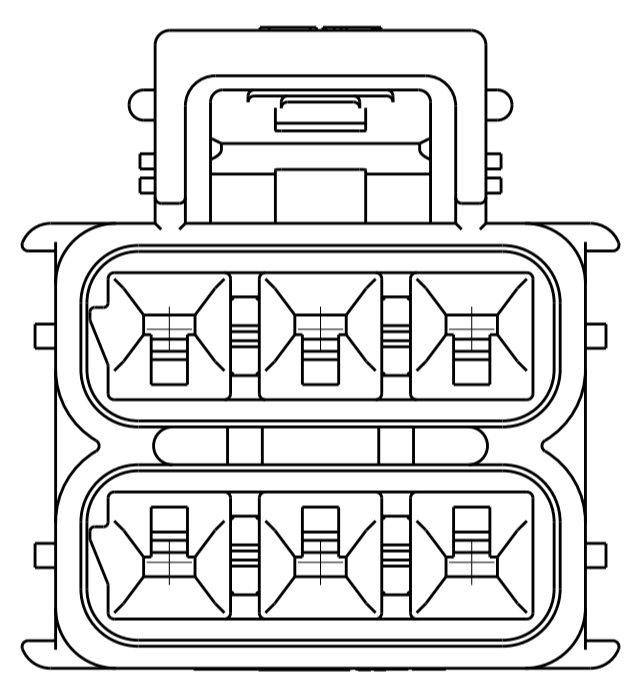


REVISIONS				
P.	LTM	DESCRIPTION	DATE	DWN APVD
D		REVISED PER ECO-19-014853	01OCT2019	BKW GJ
D1		REVISED PER ECO-20-002758	21FEB2020	BKW DS
D2		REVISED PER ECR-20-100211	07AUG2020	JP VS
E		REVISED PER ECR-20-100662	08DEC2020	PC DS



- 1 MATERIAL: PBT, GLASS FILLED
- 2 MATERIAL MARK: PBT GF
- 3. APPLICABLE CONTACT P/N:  
 2329913-\*/2329916-\*/2329912-\*/2329914-\*/2329915-\*/2329917-\*/  
 2337138-\*/2337137-\*
- 4. MATING CONNECTOR P/N  
 CAP HSG: \*2336231-\*/\*-2337219-  
 TPA: 2337218-6  
 INTERFACE SEAL: 2325347-3 (2 PER PLUG)  
 GANG SEAL: 2325349-3 (2 PER PLUG)
- 5. FLAMMABILITY RATING: UL94 V-0



COLOR	KEYING	POSITIONS	PART NUMBER
BROWN	KEY C	2*3	3-2336229-6
LIGHT GRAY	KEY B	2*3	2-2336229-6
NATURAL	KEY A	2*3	1-2336229-6

THIS DRAWING IS A CONTROLLED DOCUMENT.

DIMENSIONS:	TOLERANCES UNLESS OTHERWISE SPECIFIED:	DWN B. WEAVER 19JUN2018	TE Connectivity PLUG HOUSING, POWER VERSA-LOCK
mm	0 PLC ±	CHK S. FERNANDES 19JUN2018	
	1 PLC ±0.50	APVD C. YI 19JUN2018	
	2 PLC ±		
	3 PLC ±	PRODUCT SPEC	
	4 PLC ±	APPLICATION SPEC	
	ANGLES ±	SIZE CAGE CODE DRAWING NO	
	FINISH	RESTRICTED TO	
MATERIAL		WEIGHT	
		CUSTOMER DRAWING	

SCALE 4:1 SHEET 1 OF 1 REV E