

REVISIONS

P	LTR	DESCRIPTION	DATE	DWN	APVD
	A1	NEW RELEASE	20DEC2018	GCM	JDB

- ⚠ Material:
 COVER : Black PF2A5-151J, UL-94-V0
 HEADER : Black PF2A5-151J, UL-94-V0
 SOLDER PIN: CP WIRE
 SOLDER PIN PLATING: 4 μm (157 μinch) MIN. 100% TIN,
 8 μm (315 μinch) MIN. COPPER OVER ALL
- 2 THE PART IS RECOMMENDED FOR WAVE SOLDERING PROCESS
 SOLDERING: TEMPERATURE +260 ±5 °C, 10 ±1 s
- 3 OPERATING TEMPERATURE: T= -40 °C TO +85 °C
- 4 STORAGE TEMPERATURE: T= -40 °C TO +85 °C
- 5 MEET IEEE 802.3u REQUIREMENT
- ⚠ UNLESS OTHERWISE SPECIFIED, SEE TABLE FOR ALL DIMENSIONS TOLERANCES
- 7 PACKAGING: REEL (T+R) ACCORDING TO PACKAGING SPECIFICATION 107-18128

SUGGESTED PCB LAYOUT

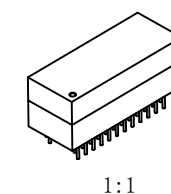
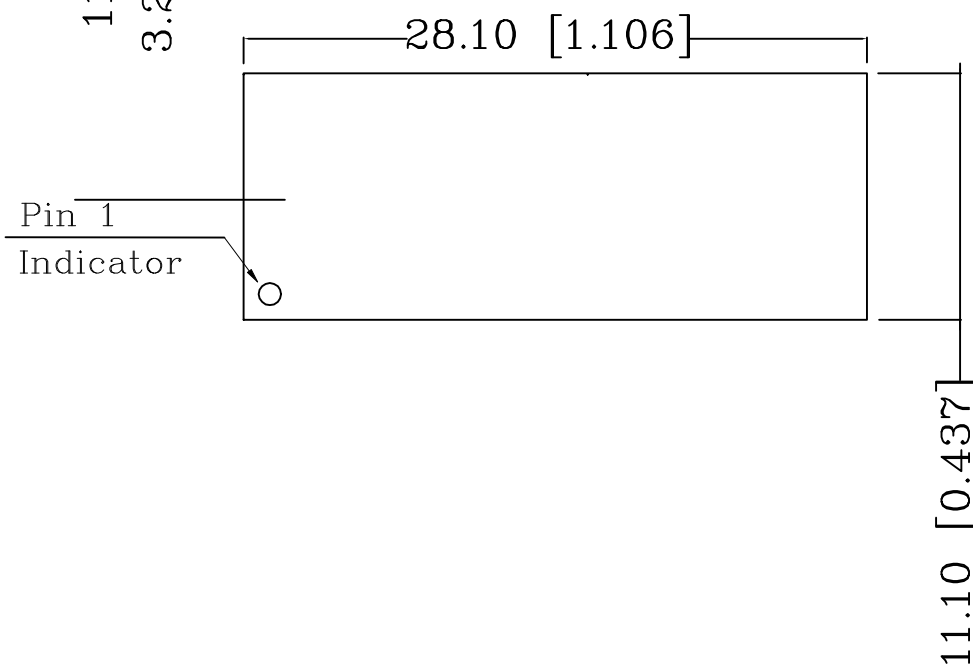
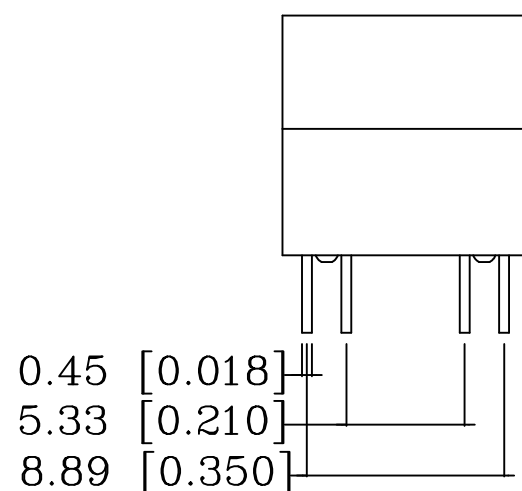
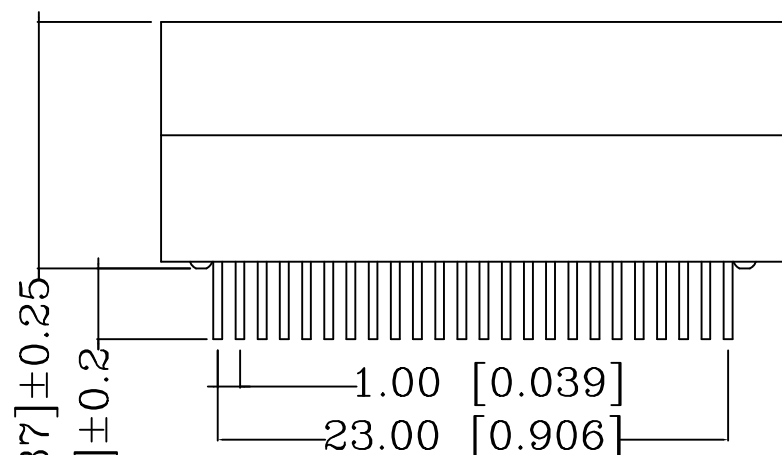
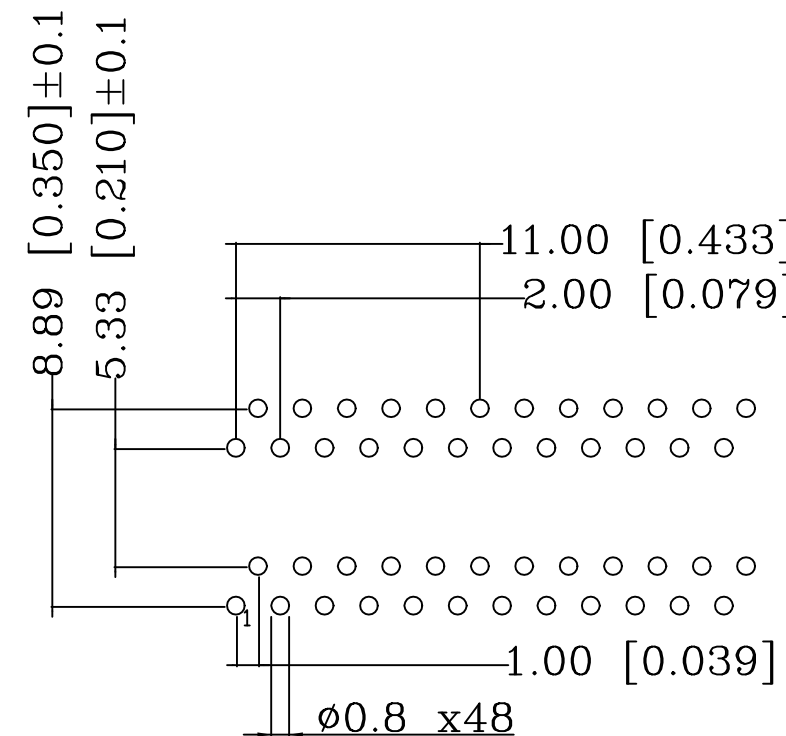


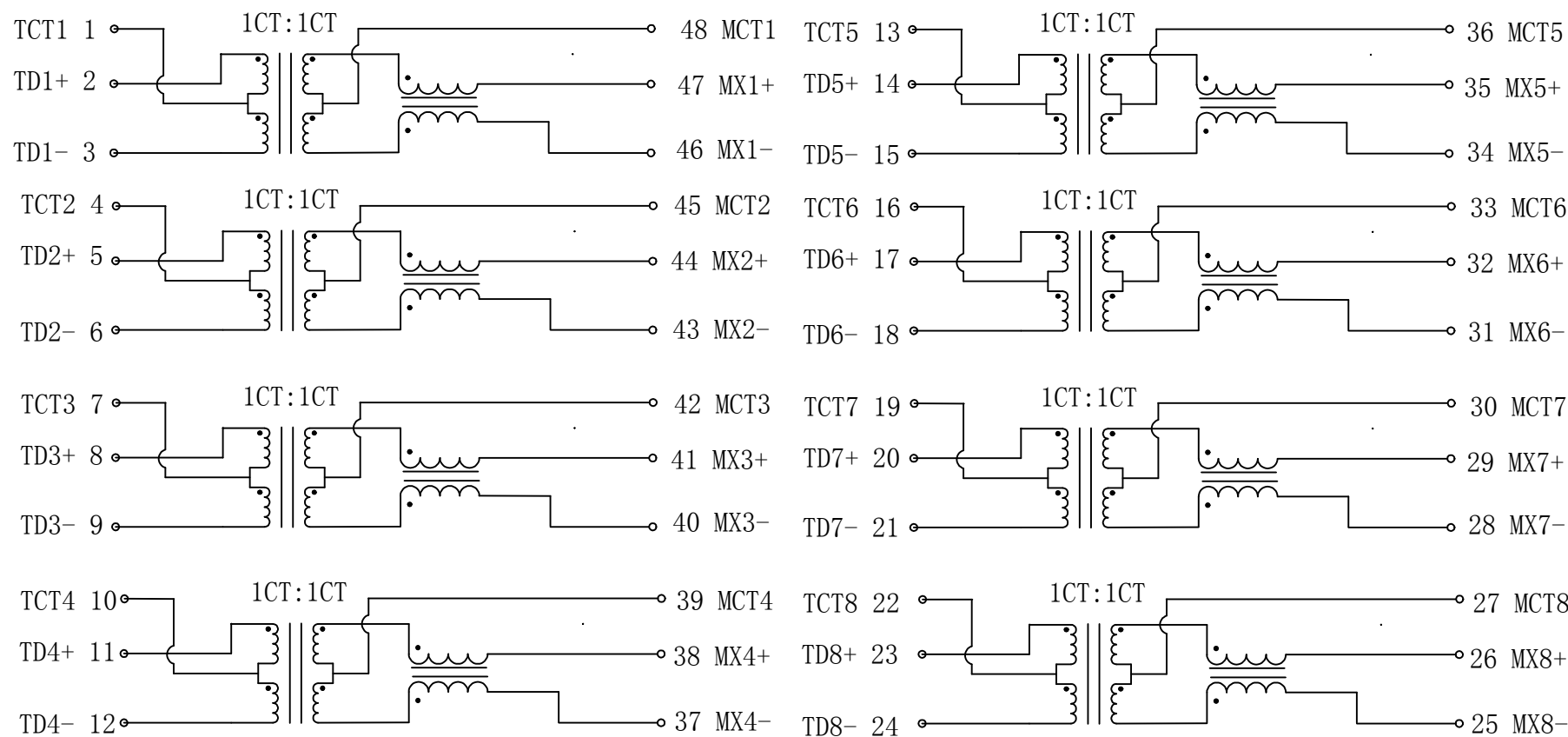
TABLE OF TOLERANCE (mm)	
RANGE	TOLERANCE
0-10	±0.15
>10-40	±0.25
>40-70	±0.30
>70	±0.40

THIS DRAWING IS A CONTROLLED DOCUMENT.		DWN GANESH C M 20DEC2018	TE TE Connectivity	
DIMENSIONS: mm [INCHES]		CHK A.C. NGOUMGANG 20DEC2018		
TOLERANCES UNLESS OTHERWISE SPECIFIED:		APVD J. DE BRUIJN 20DEC2018	NAME DISCR.ETH.MAG. 10/100 QUAD THT	
0 PLC ± -		PRODUCT SPEC 108-94693	SIZE A3	
1 PLC ± -		APPLICATION SPEC 114-94555	CAGE CODE 00779	DRAWING NO C=2337827-1
2 PLC ± -		WEIGHT	RESTRICTED TO -	
3 PLC ± -		CUSTOMER DRAWING	SCALE 4:1	SHEET 1 of 2
4 PLC ± -			REV A1	
ANGLES ± -				
MATERIAL				
FINISH				

REVISIONS

P	LTR	DESCRIPTION	DATE	DWN	APVD
-	-	SEE SHEET 1	-	-	-

CIRCUIT DIAGRAM



Electrical Specifications @ 25 °C (Unless other specified meet IEEE 802.3 Specification)		
Turn Ratio	1CT:1CT ±2%	
Inductance (OCL) @100kHz/0.1V with 8mA DC Bias	350 µH min.	
Insertion Loss	0.1-100MHz	-1 dB max.
	1-30MHz	-18 dB min.
Return Loss (Zout = 100 OHMS)	40MHz	-14.4 dB min.
	50MHz	-13.1 dB min.
	80MHz	-12 dB min.
Crosstalk	30MHz	-40 dB min.
	60MHz	-35 dB min.
	100MHz	-30 dB min.
DCMR	30MHz	-40 dB min.
	60MHz	-35 dB min.
	100MHz	-30 dB min.
Isolation Voltage (Input - Output)	1500 Vrms	



CONTROL CODE
DATE CODE
"0213"
YY-YEAR
WW-WEEK

THIS DRAWING IS A CONTROLLED DOCUMENT.		DWN GANESH C M 20DEC2018	TE Connectivity	
DIMENSIONS: mm [INCHES]		CHK A.C. NGOUMGANG 20DEC2018	NAME DISCR.ETH.MAG. 10/100 QUAD THT	
TOLERANCES UNLESS OTHERWISE SPECIFIED:		APVD J. DE BRUIJN 20DEC2018	PRODUCT SPEC 108-94693	
0 PLC ± -		APPLICATION SPEC 114-94555	SIZE A3	CAGE CODE 00779
1 PLC ± -		WEIGHT	DRAWING NO C=2337827-1	
2 PLC ± -		CUSTOMER DRAWING	RESTRICTED TO -	
3 PLC ± -		SCALE 4:1	SHEET 2 of 2	
4 PLC ± -		FINISH	REV A1	
ANGLES ± -				
MATERIAL				