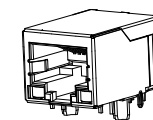
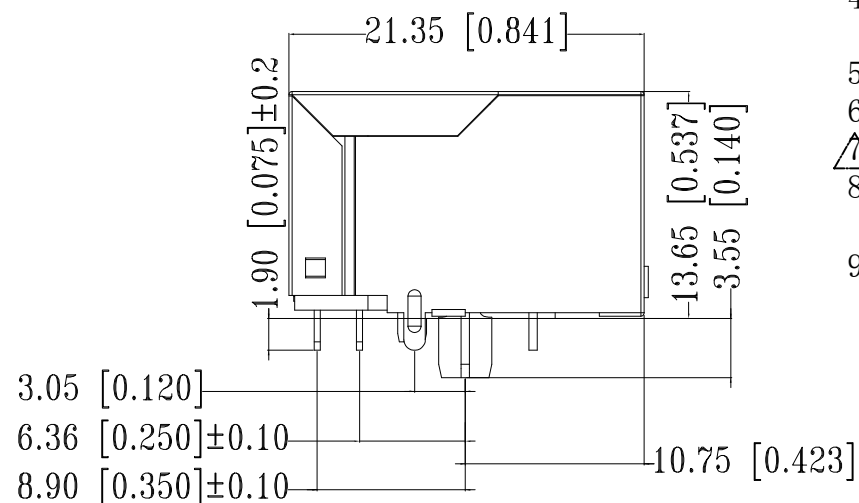
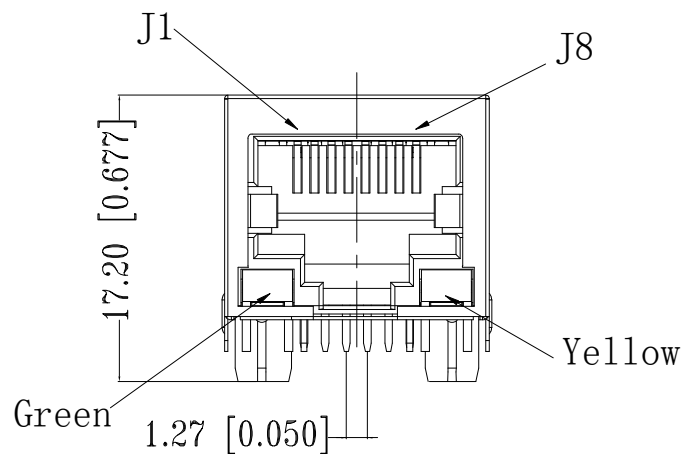
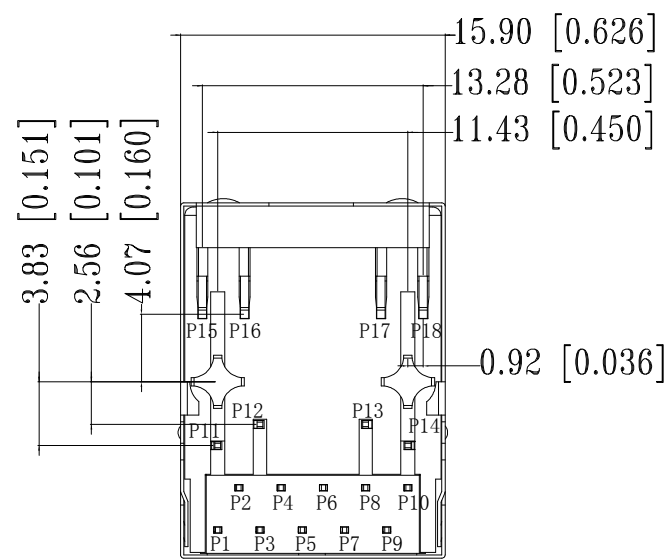


REVISIONS

| P | LTR | DESCRIPTION | DATE | DWN | APVD |
|---|-----|-------------|-----------|-----|------|
| A | | NEW RELEASE | 26NOV2018 | GCM | JDB |

- △ CONNECTOR MATERIAL:
 HOUSING: LCP BLACK UL94 V-0
 INSERT: LCP BLACK UL94 V-0
 SHIELD: BRASS
 SHIELD PLATING: NICKEL
 CONTACT: COPPER ALLOY
 CONTACT PLATING: SELECTIVE GOLD, MIN. 0.76µm (30µinch) IN CONTACT AREA
 OVER MIN. 1.27µm (50µinch) NICKEL
 SOLDER PIN PLATING: 3.05µm (120µinch) TIN OVER 1.27µm (50µinch) NICKEL
 OVER ALL
 SHIELDING PIN PLATING: NICKEL
- 2 PIN NOT ELECTRICALLY CONNECTED MAYBE OMITTED SEE ELECTRICAL CIRCUIT DIAGRAM FOR OMITTED PINS
- 3 RJ45 CAVITIES CONFORM TO FCC RULES AND REGULATION PART 68
- 4 THE PART IS RECOMMENDED FOR REFLOW SOLDERING PROCESS PEAK SOLDERING: TEMPERATURE MAX. +260° C, MAX. 10s
- 5 OPERATING TEMPERATURE: T= -40° C TO +85° C
- 6 STORAGE TEMPERATURE: T= -40° C TO +85° C
- △ UNLESS OTHERWISE SPECIFIED, SEE TABLE FOR ALL DIMENSIONS TOLERANCES
- 8 JACK CONFIGURATION: 1 x 1
 TAB DIRECTION: DOWN
- 9 PACKAGING: REEL (T+R) ACCORDING TO PACKAGING SPECIFICATION 107-18116



1:1

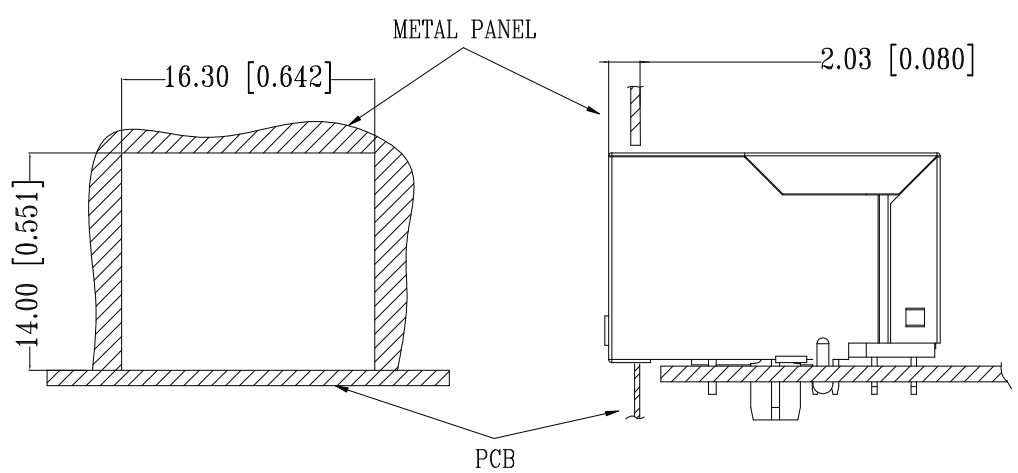
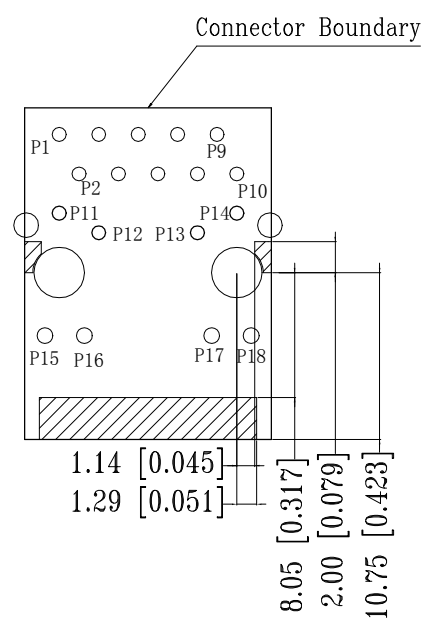
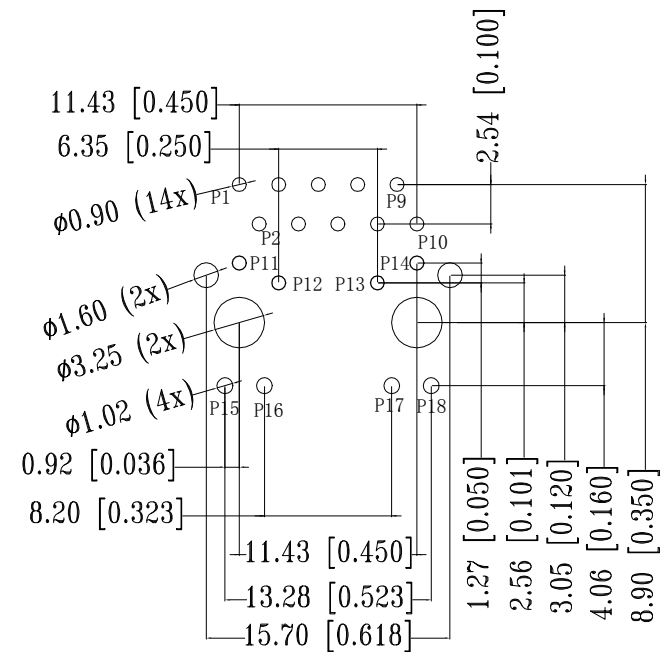
| TABLE OF TOLERANCE (mm) | |
|-------------------------|-----------|
| RANGE | TOLERANCE |
| 0-10 | ±0.15 |
| >10-40 | ±0.25 |
| >40-70 | ±0.30 |
| >70 | ±0.40 |

| | | | | | |
|---|--|------------------|--------------|---------------|--------------------------------|
| THIS DRAWING IS A CONTROLLED DOCUMENT. | | DWN | GANESH C M | | 26NOV2018 |
| DIMENSIONS: mm [INCHES] | | CHK | O. WIBORG | | 26NOV2018 |
| TOLERANCES UNLESS OTHERWISE SPECIFIED: | | APVD | J. DE BRUIJN | | 26NOV2018 |
| 0 PLC ± - 1 PLC ± - 2 PLC ± - 3 PLC ± - 4 PLC ± - ANGLES ± - | | PRODUCT SPEC | | NAME | RJ45 JACK MAG. POE 1Gb LED 1x1 |
| MATERIAL △ 1 FINISH △ 1 | | APPLICATION SPEC | | SIZE | A3 |
| | | WEIGHT | | CAGE CODE | 00779 |
| | | CUSTOMER DRAWING | | DRAWING NO | C=2337992-8 |
| | | SCALE | | RESTRICTED TO | - |
| | | SHEET | | 1 OF 3 | REV A |

REVISIONS

| P | LTR | DESCRIPTION | DATE | DWN | APVD |
|---|-----|-------------|------|-----|------|
| - | - | SEE SHEET 1 | - | - | - |

SUGGESTED PCB LAYOUT



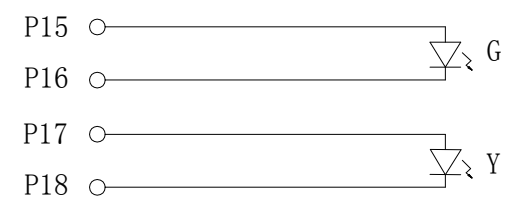
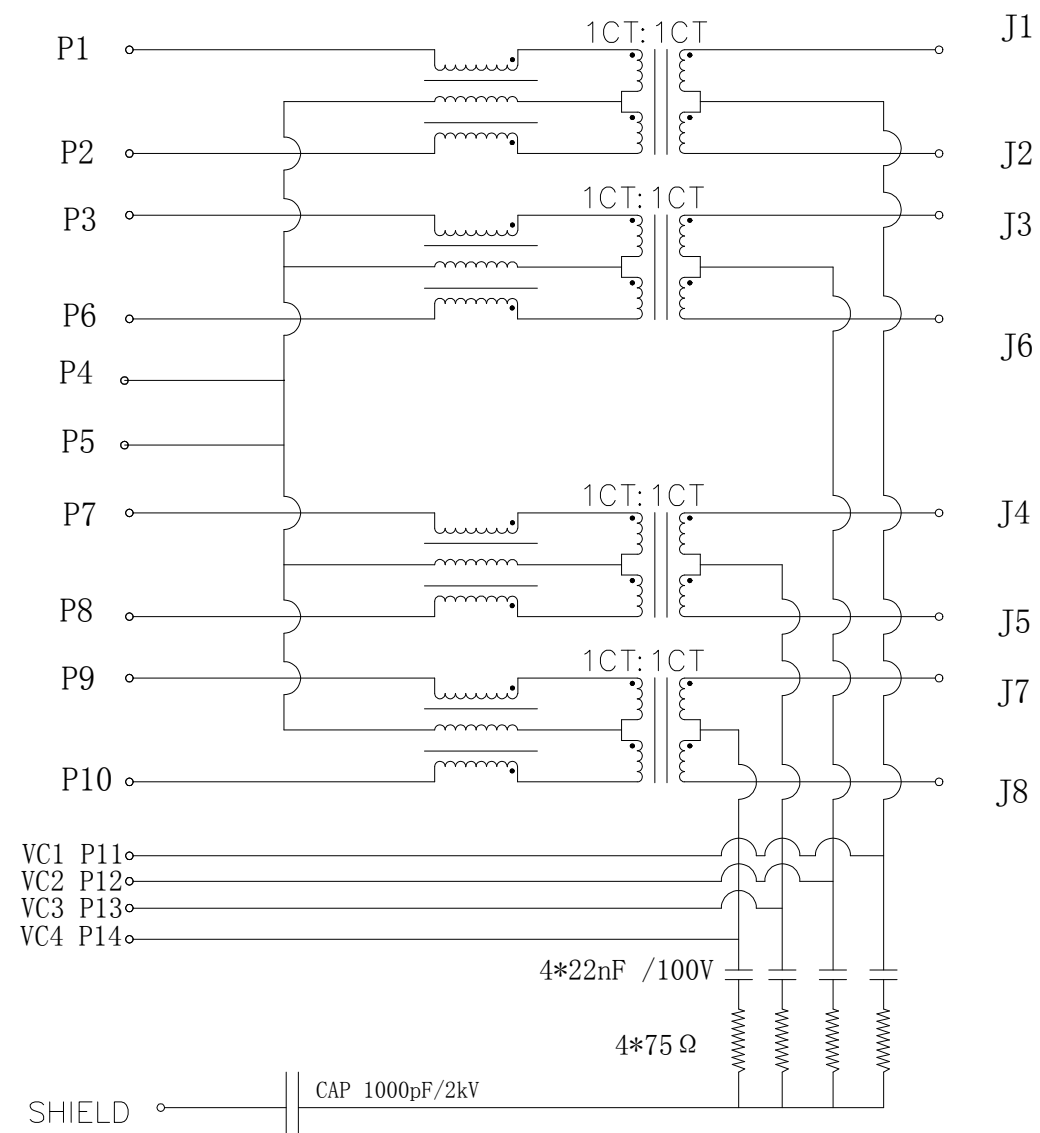
UNIT: mm / inch
TOLERANCES: ±0.10 / 0.004

| | | | | |
|--|--|-----------------------------------|--|--------------------|
| THIS DRAWING IS A CONTROLLED DOCUMENT. | | DWN GANESH C M 26NOV2018 | STE TE Connectivity | |
| | | CHK O. WIBORG 26NOV2018 | | |
| DIMENSIONS: mm [INCHES] | TOLERANCES UNLESS OTHERWISE SPECIFIED: | APVD J. DE BRUIJN 26NOV2018 | NAME RJ45 JACK MAG. POE 1Gb LED 1x1 | |
| | 0 PLC ± - | PRODUCT SPEC 108-94694 | - | |
| | 1 PLC ± - | APPLICATION SPEC 114-94556 | - | |
| MATERIAL | FINISH | WEIGHT | SIZE A3 | CAGE CODE 00779 |
| | | CUSTOMER DRAWING | DRAWING NO C=2337992-8 | RESTRICTED TO - |
| | | | SCALE 3:1 | SHEET 2 OF 3 |
| | | | REV A | |

REVISIONS

| P | LTR | DESCRIPTION | DATE | DWN | APVD |
|---|-----|-------------|------|-----|------|
| - | - | SEE SHEET 1 | - | - | - |

ELECTRICAL CIRCUIT DIAGRAM



| Pin | Green | Yellow | |
|-----|-------|--------|---|
| P15 | + | P17 | + |
| P16 | - | P18 | - |

- 1.0 Turn Ratio @100kHz: (P1~P2):(J1~J2) = 1:1±2%
(P3~P6):(J3~J6) = 1:1±2%
(P7~P8):(J4~J5) = 1:1±2%
(P9~P10):(J7~J8) = 1:1±2%
- 2.0 Primary Inductance: 350µH MIN. @100kHz,0.1V 8mA DC BIAS
120µH MIN. @100kHz,0.1V 18mA DC BIAS
- 3.0 DC Resistance: 1.2 OHMS MAX.
- 4.0 Insertion Loss: 1-100MHz -1.0dB MAX.
100-125MHz -1.2dB MAX.
- 5.0 Return Loss: 1-40MHz -16dB MIN.
40-60MHz -12dB MIN.
60-80MHz -10dB MIN.
80-100MHz -8dB MIN.
- 6.0 CROSS TALK: 1-100MHz -27.1dB MIN.
- 7.0 COMMON TO COMMON MODE ATTENUATION: 1-100MHz -30dB MIN.
- 8.0 Isolation: PHY Side to Line Side: 2250VDC
- 9.0 DC CURRENT/VOLTAGE RATING-PSE PINS: 720mA MAX. @57VDC (CONTINUOUS)

2337992-8
WWYY-xxxx

STE

FCC

CONTROL CODE
DATE CODE
"0213"

YY-YEAR
WW-WEEK

| | | | | |
|---|--|-----------------------------------|--|--------------------|
| THIS DRAWING IS A CONTROLLED DOCUMENT. | | DWN GANESH C M 26NOV2018 | STE TE Connectivity | |
| DIMENSIONS: mm [INCHES] | | CHK O. WIBORG 26NOV2018 | | |
| TOLERANCES UNLESS OTHERWISE SPECIFIED: 0 PLC ± - 1 PLC ± - 2 PLC ± - 3 PLC ± - 4 PLC ± - ANGLES ± - | | APVD J. DE BRUIJN 26NOV2018 | NAME RJ45 JACK MAG. POE 1Gb LED 1x1 | |
| MATERIAL 1 | | FINISH 1 | PRODUCT SPEC 108-94694 | RESTRICTED TO - |
| | | APPLICATION SPEC 114-94556 | SIZE A3 | CAGE CODE 00779 |
| | | WEIGHT | DRAWING NO C=2337992-8 | REV A |
| CUSTOMER DRAWING | | | SCALE 3:1 | SHEET 3 OF 3 |