

THIS DRAWING IS UNPUBLISHED.

RELEASED FOR PUBLICATION

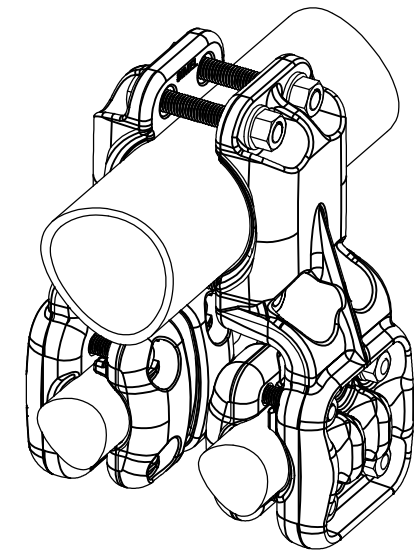
-- --

ALL RIGHTS RESERVED.

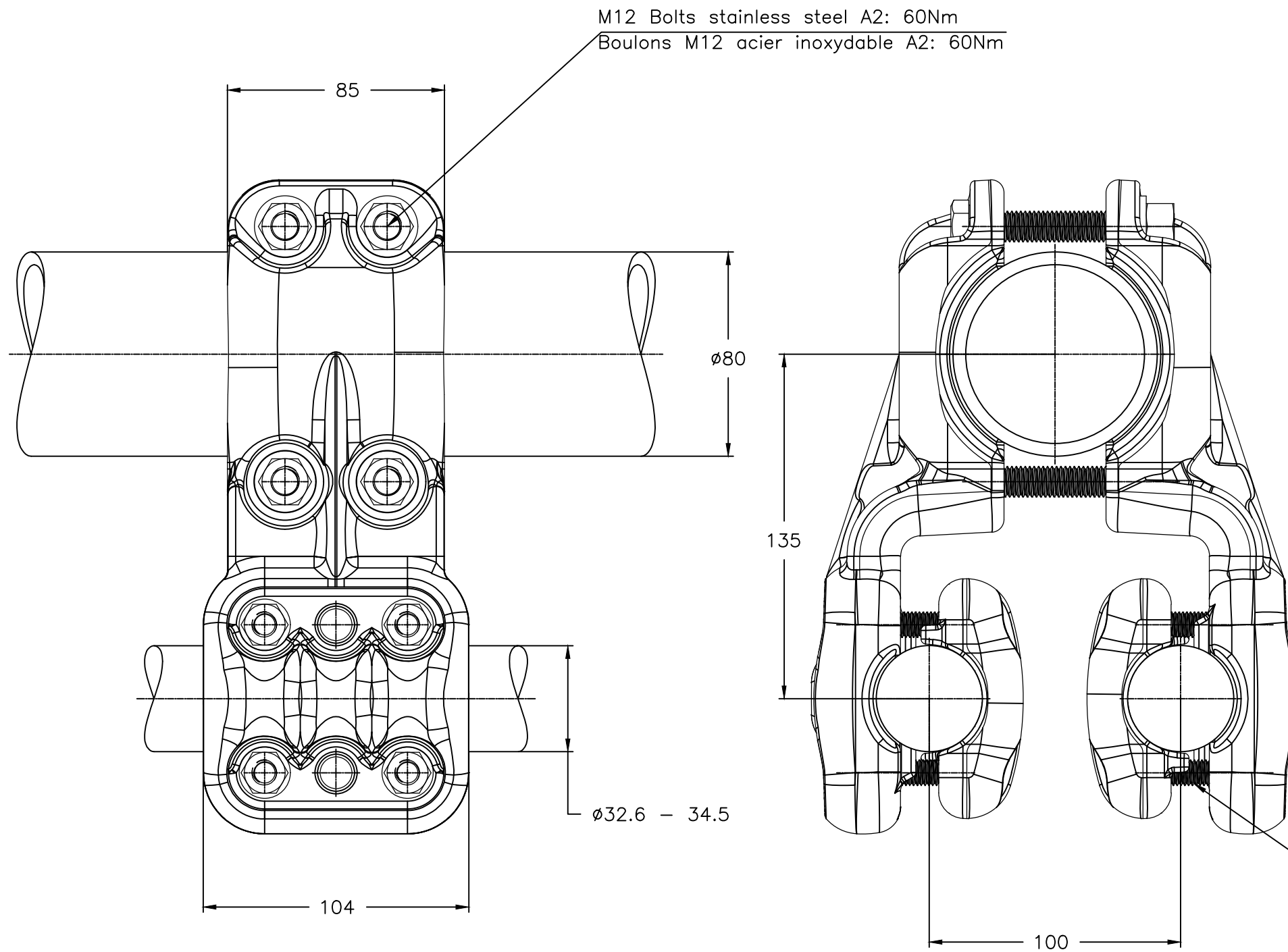
© COPYRIGHT - By -

REVISIONS

P	LTR	DESCRIPTION	DATE	DWN	APVD
A	CREATION		13-JUNE-18	MT	-



No scale
Sans échelle



ITEM:.....

THIS DRAWING IS A CONTROLLED DOCUMENT.		DWN TALPIN	13-JUNE-18	TE Connectivity NAME STRAIGHT CONNECTOR FOR TUBE TO TWIN CONDUCTORS RACCORD DROIT POUR TUBE VERS FAISCEAU DOUBLE 5 MJ 82 A T80 M345 E100	
DIMENSIONS: mm		CHK	-		
TOLERANCES UNLESS OTHERWISE SPECIFIED:		APVD	-		
0 PLC ± - 1 PLC ± - 2 PLC ± - 3 PLC ± - 4 PLC ± - ANGLES ± -		PRODUCT SPEC	108-69096-001		
MATERIAL		APPROX.WEIGHT 4 kg		SIZE	A3
FINISH		CUSTOMER DRAWING		CAGE CODE	00779
				DRAWING NO	C=2338126
				RESTRICTED TO	-
				SCALE	1:2
				SHEET	1 OF 1
				REV	A