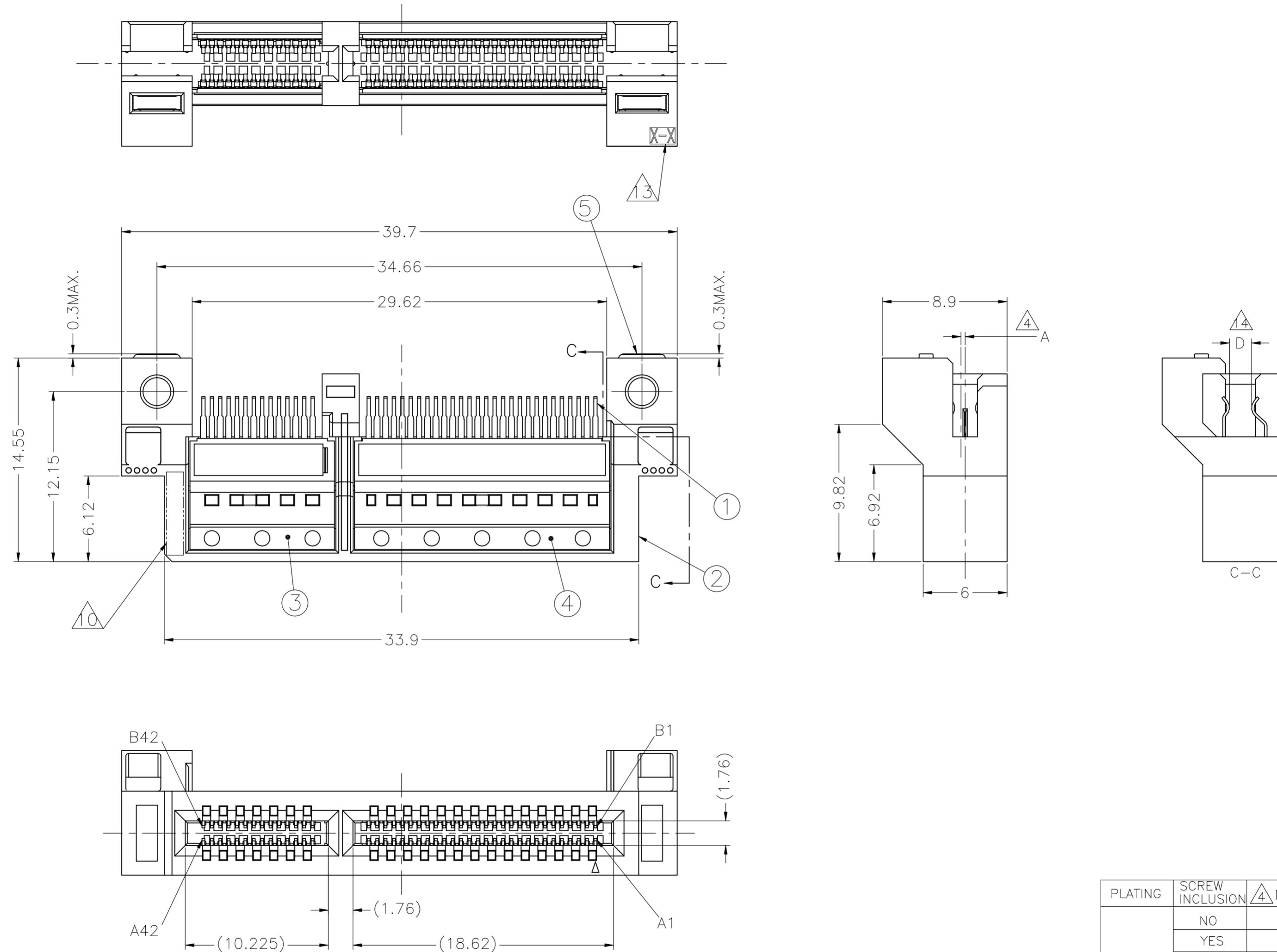


REVISIONS					
P	LTR	DESCRIPTION	DATE	DWN	APVD
F2		ECR-24-209935	28MAY2024	AD	HL



AS SHOWN : -1,-3, 2--1, 2--3, 4--1, 4--3



2	M2 SCREW	
2	M2 NUT PLATE	⑤
2	COVER HOUSING 28P	④
2	COVER HOUSING 14P	③
1	HOUSING	②
84	CONTACT	①
QTY	NAME	ITEM No.

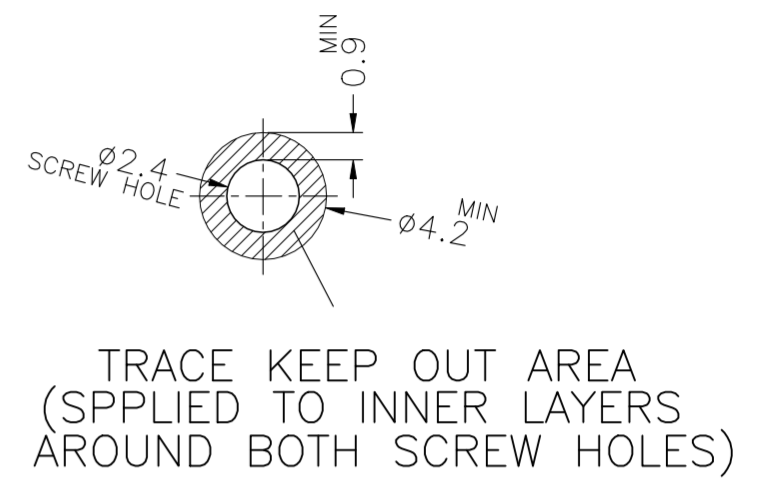
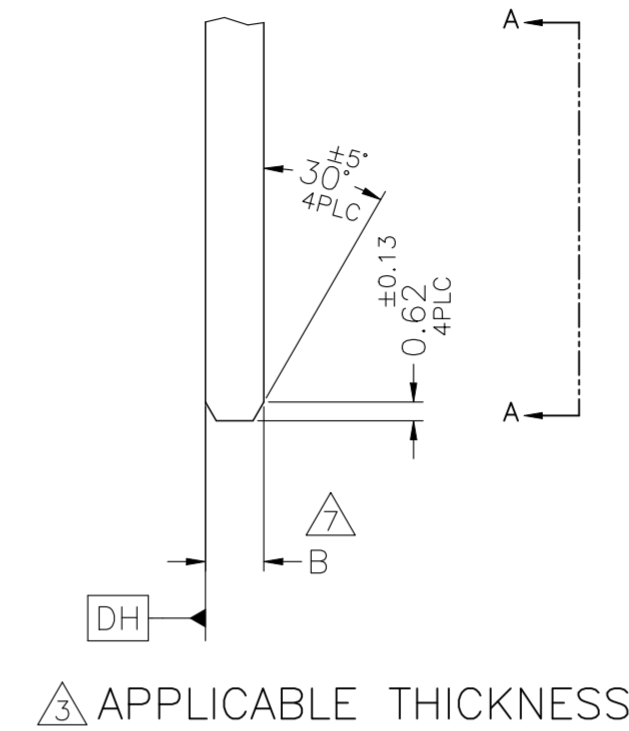
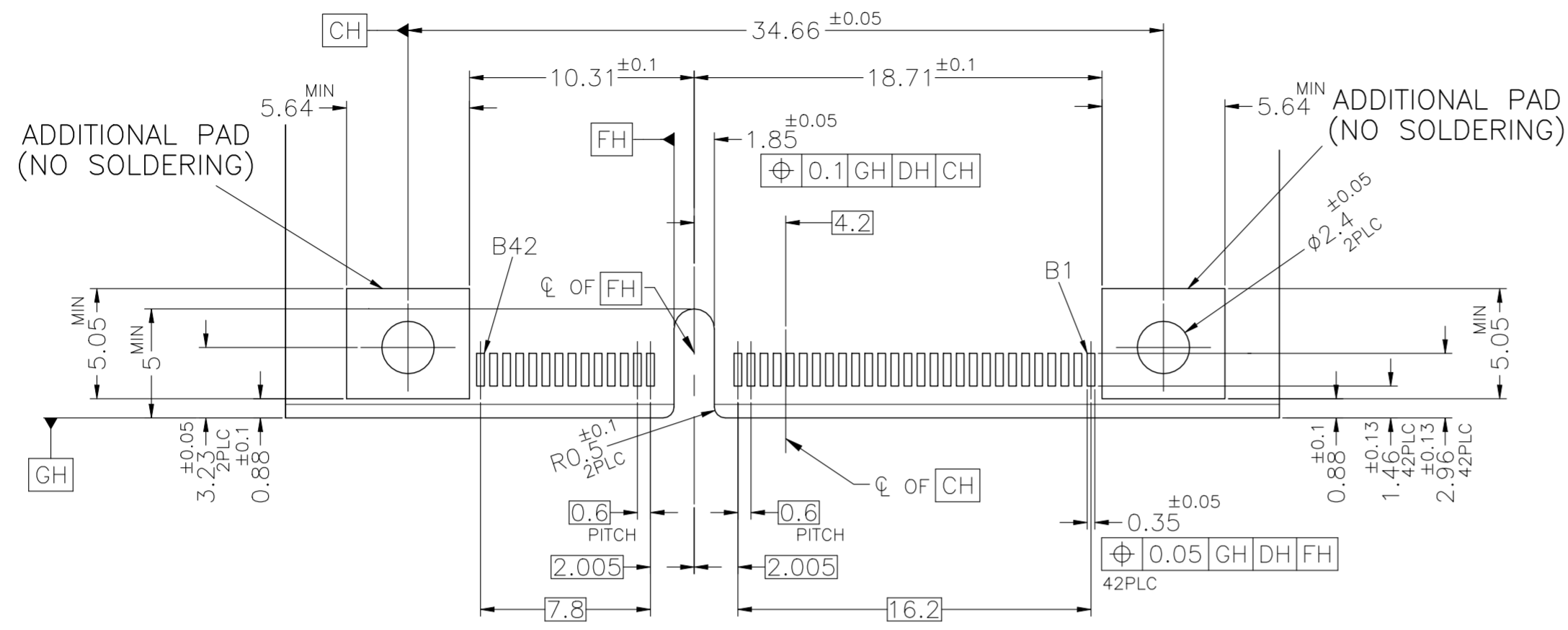
THIS DRAWING IS A CONTROLLED DOCUMENT.

DIMENSIONS:	TOLERANCES UNLESS OTHERWISE SPECIFIED:
mm	±0.3
	<ul style="list-style-type: none"> 6 PLG ± 1 PLG ± 2 PLG ± 3 PLG ± 4 PLG ± ANGLES ±
MATERIAL	FINISH
①	②

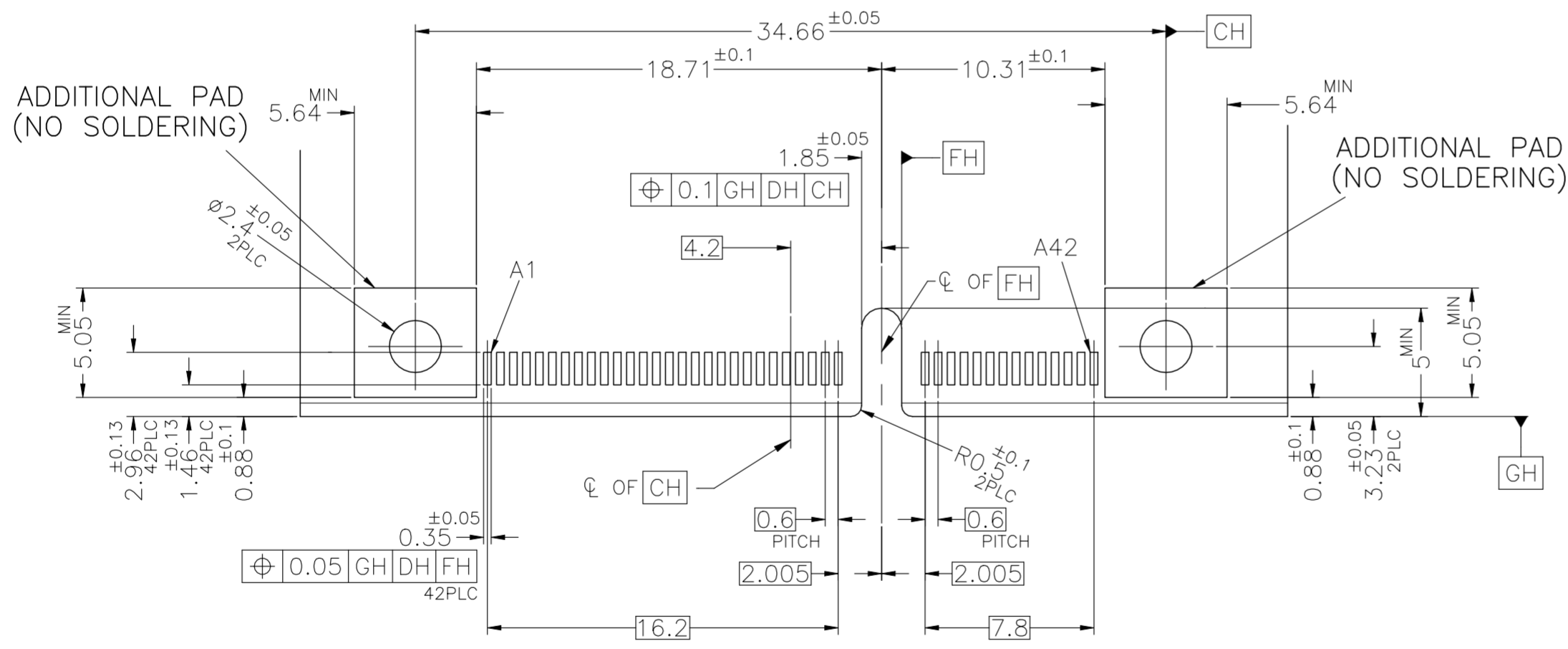
DWN	M.TANAKA	30JUL2018	 TE Connectivity Ltd.
CHK	J.TSUJI	30JUL2018	
APVD	K.KOBAYASHI	30JUL2018	
PRODUCT SPEC	108-140197		
APPLICATION SPEC	114-78033		NAME
WEIGHT	0		SIZE
CUSTOMER DRAWING	A2	CAGE CODE	00779
SCALE	4:1	DRAWING NO	C=2340326
SHEET	1 of 4	RESTRICTED TO	
REV	F2		

REVISIONS

P	LTR	DESCRIPTION	DATE	DWN	APVD
-	-	SEE SHEET 1	-	-	-



REFERENCE HOST BOARD LAYOUT



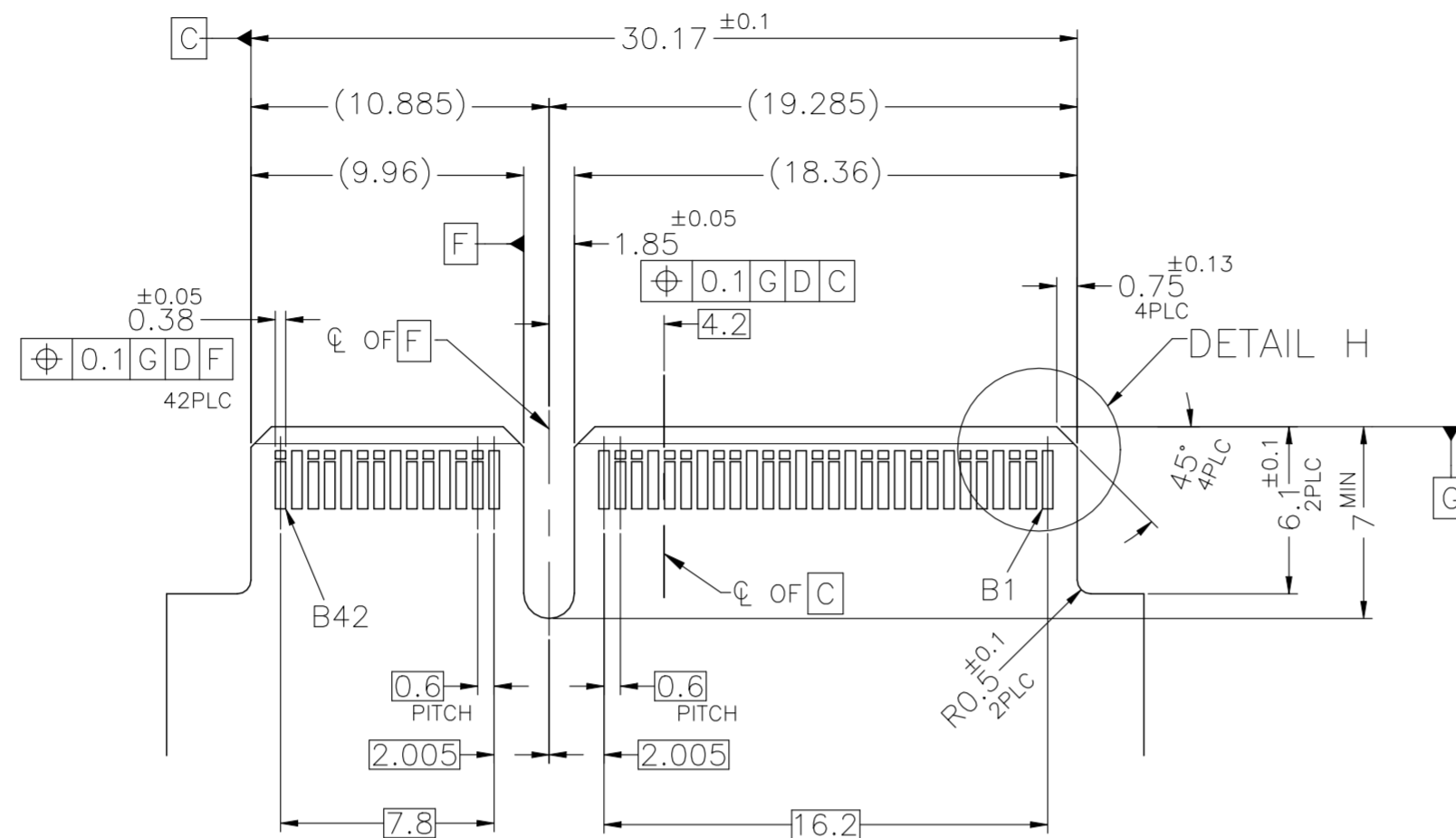
VIEW A-A

THIS DRAWING IS A CONTROLLED DOCUMENT.		DWN	TE Connectivity Ltd.	
DIMENSIONS: mm		CHK	84 POSITION SLIVER 2.0 STRADDLE MOUNT	
TOLERANCES UNLESS OTHERWISE SPECIFIED: ±0.3		APVD	NAME	
<ul style="list-style-type: none"> Ø PLG ± 1 PLG ± 2 PLG ± 3 PLG ± 4 PLG ± ANGLES ± FINISH ± 		PRODUCT SPEC	SIZE CAGE CODE DRAWING NO	
MATERIAL		APPLICATION SPEC	A2 00779 C=2340326	
		WEIGHT	RESTRICTED TO	
		CUSTOMER DRAWING	SCALE 4:1 SHEET 2 OF 4 REV F2	

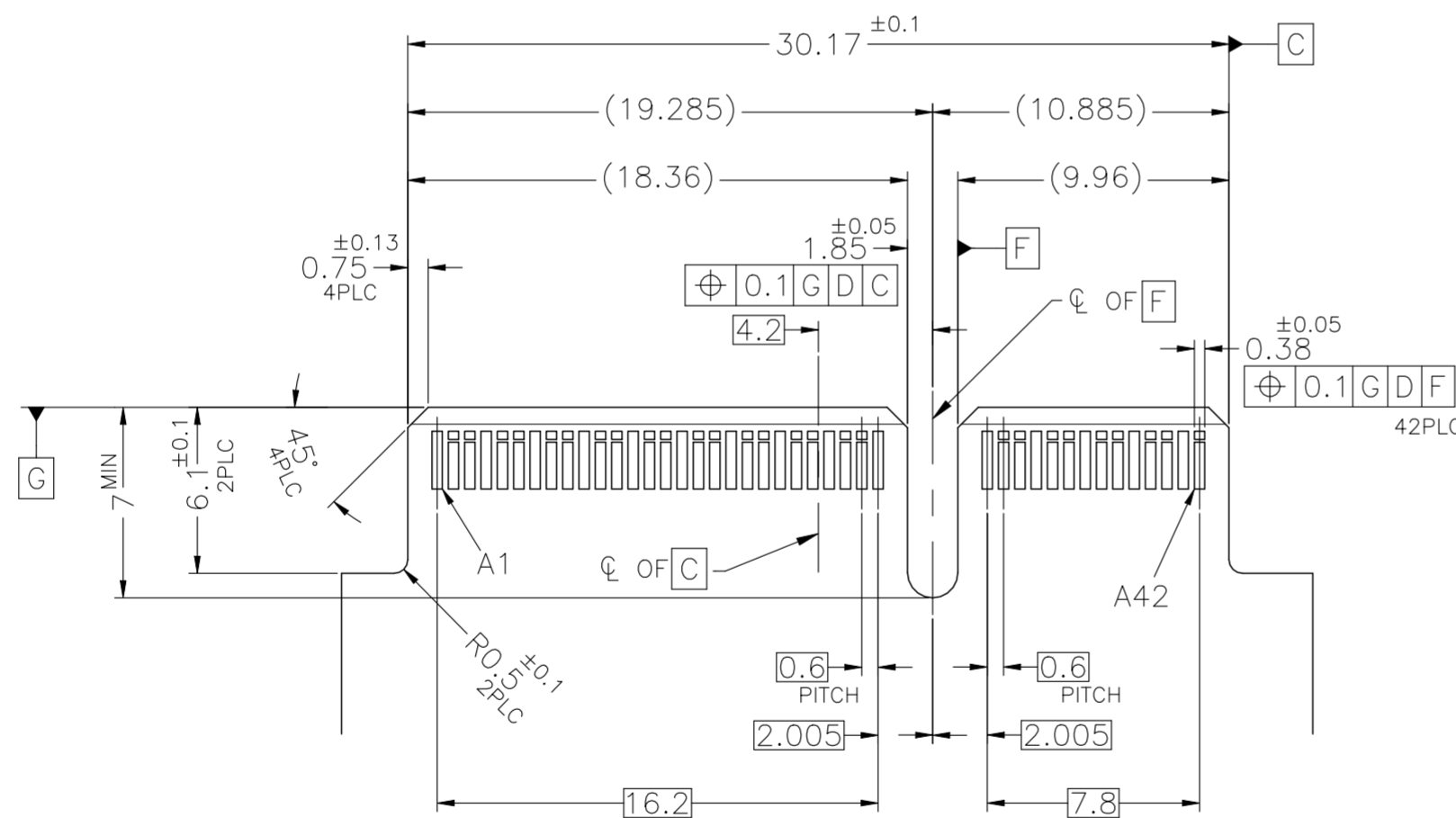
REVISIONS					
P	LTR	DESCRIPTION	DATE	DWN	APVD
-	-	SEE SHEET 1	-	-	-

NOTE

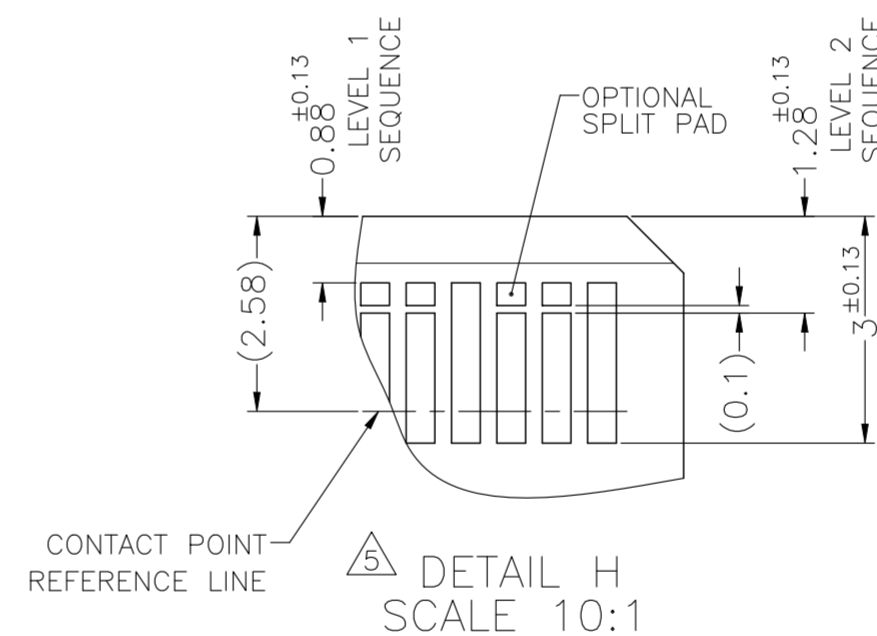
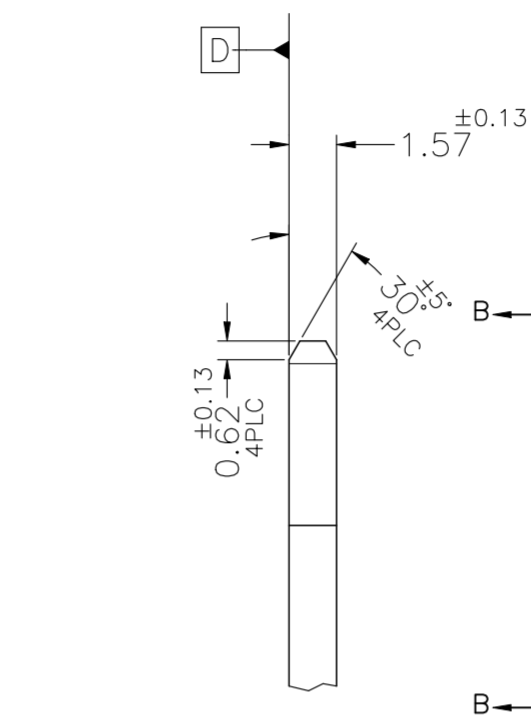
- 1 HOUSING AND COVER: LCP, UL94-V0, BLACK.
CONTACTS: COPPER ALLOY.
- 2 GOLD PLATED ON CONTACT AREA.
TIN PLATE ON SOLDER TAIL AREA.
- 3 APPLICABLE HOST BOARD THICKNESS
- 4 OFFSET AMOUNT BETWEEN AIC BOARD AND
HOST BOARD CENTER LINE.
- 5 SEE MSA SPECIFICATION FOR ADDITIONAL PADDLE
CARD LAYOUTS COMPATIBLE WITH THIS RECEPTACLE
AND FOR OPTIONAL SPLIT CONTACT PAD LAYOUTS
FOR THE PADDLE CARD. SPECIFICATION PINOUT
MAY ALSO DESIGNATE PAD SEQUENCE DIFFERENT
FROM ILLUSTRATION.
- 6 POSITIONS DESIGNATED AS "SIGNAL" ARE
RECOMMENDED LOCATIONS FOR HIGH SPEED
DIFFERENTIAL PAIR SIGNALING. THESE LOCATIONS
MAY ALSO BE USED FOR SUPPORTING SIDEBAND
SIGNALS OR OTHER UTILITY PURPOSES. POSITIONS
DESIGNATED AS "GROUND" ARE REQUIRED WHEN
SUPPORTING HIGH SPEED DIFFERENTIAL SIGNALS.
THESE LOCATIONS MAY ALSO BE USED FOR SIDEBAND
SIGNALS OR OTHER UTILITY PURPOSES.
- 7 CONTROLLED ACROSS PADS.
- 8 THIS LAYOUT IS ADOPTED IN SFF-TA-1002
- 9 SCREW IS ENCLOSED BY SEPARATE PACKING.
SCREW SIZE: M2
SCREW LENGTH(REF): 6
HEAD SIZE(REF): $\phi 3.5$, 1.3HEIGHT
- 10 DATE CODE MARKING.
- 11 CONNECTOR MUST BE FIXED ON PCB BY SCREW
AFTER SOLDERING.
- 12 ALL CHAMFERED EDGES AND EDGE OF PADS
SHALL BE FREE OF BURRS.
- 13 HOUSING ID MARK
- 14 CONTACT TO CONTACT GAP



8 REFERENCE AIC BOARD LAYOUT



VIEW B-B



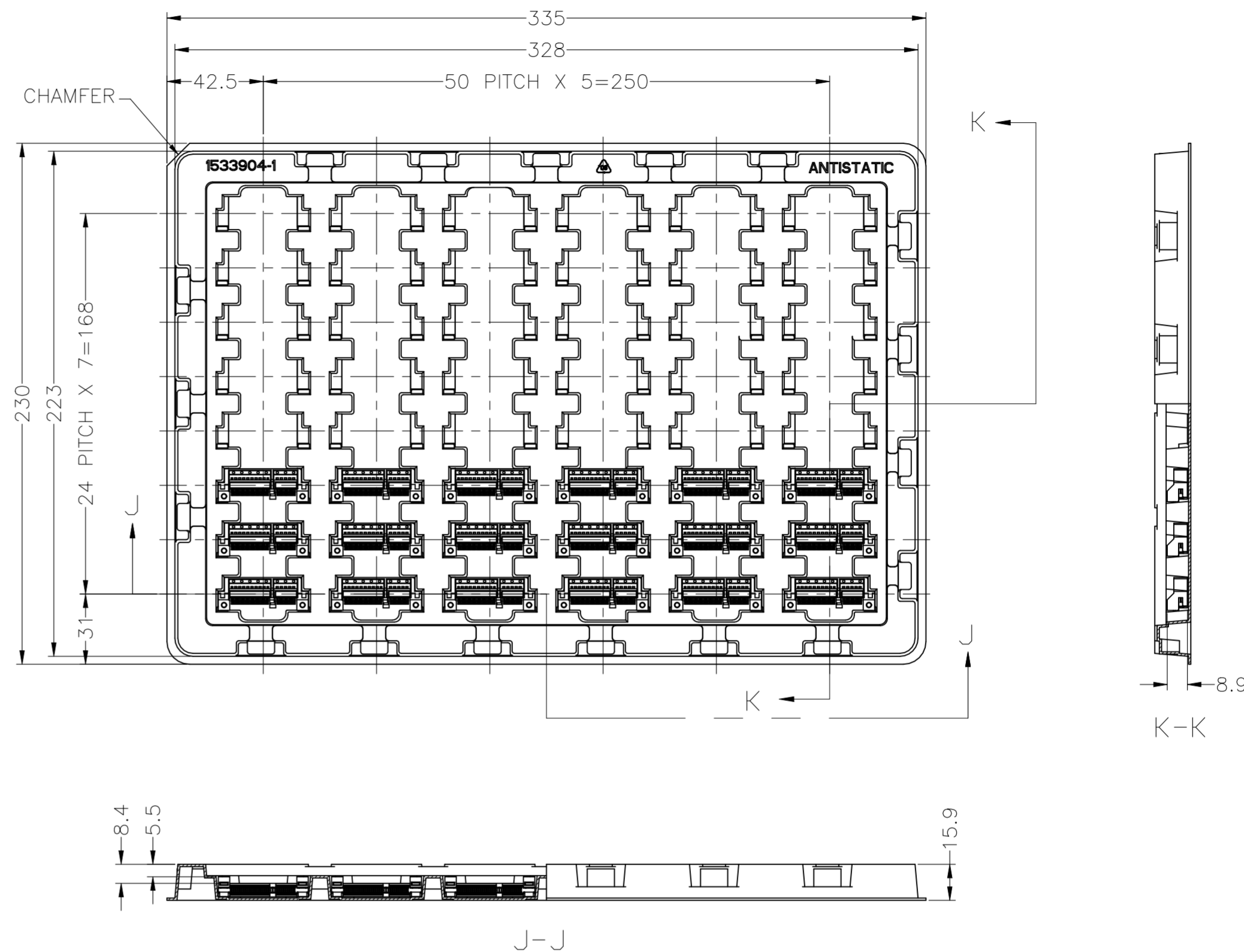
THIS DRAWING IS A CONTROLLED DOCUMENT.		DWN	TE Connectivity Ltd.		
DIMENSIONS: mm		CHK	84 POSITION SLIVER 2.0 STRADDLE MOUNT		
TOLERANCES UNLESS OTHERWISE SPECIFIED: ±0.3		APVD	NAME	SIZE	CAGE CODE
6 PLC ±		PRODUCT SPEC		A2	00779
1 PLC ±		APPLICATION SPEC		DRAWING NO	C=2340326
2 PLC ±				RESTRICTED TO	
3 PLC ±				SCALE	4:1
4 PLC ±				SHEET	3 OF 4
ANGLES ±				REV	F2
FINISH		WEIGHT	CUSTOMER DRAWING		

REVISIONS					
P	LTR	DESCRIPTION	DATE	DWN	APVD
-	-	SEE SHEET 1	-	-	-

CONNECTOR CONTACT IDENTIFICATION


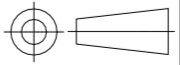
CONTACT NUMBER	SIDE A	SIDE B
1	GROUND	GROUND
2	SIGNAL	SIGNAL
3	SIGNAL	SIGNAL
4	GROUND	GROUND
5	SIGNAL	SIGNAL
6	SIGNAL	SIGNAL
7	GROUND	GROUND
8	SIGNAL	SIGNAL
9	SIGNAL	SIGNAL
10	GROUND	GROUND
11	SIGNAL	SIGNAL
12	SIGNAL	SIGNAL
13	GROUND	GROUND
14	SIGNAL	SIGNAL
15	SIGNAL	SIGNAL
16	GROUND	GROUND
17	SIGNAL	SIGNAL
18	SIGNAL	SIGNAL
19	GROUND	GROUND
20	SIGNAL	SIGNAL
21	SIGNAL	SIGNAL
22	GROUND	GROUND
23	SIGNAL	SIGNAL
24	SIGNAL	SIGNAL
25	GROUND	GROUND
26	SIGNAL	SIGNAL
27	SIGNAL	SIGNAL
28	GROUND	GROUND

CONTACT NUMBER	SIDE A	SIDE B
29	GROUND	GROUND
30	SIGNAL	SIGNAL
31	SIGNAL	SIGNAL
32	GROUND	GROUND
33	SIGNAL	SIGNAL
34	SIGNAL	SIGNAL
35	GROUND	GROUND
36	SIGNAL	SIGNAL
37	SIGNAL	SIGNAL
38	GROUND	GROUND
39	SIGNAL	SIGNAL
40	SIGNAL	SIGNAL
41	GROUND	GROUND
42	GROUND	GROUND



SOFT TRAY PACKAGING: -1,-3, 2--1, 2--3, 4--1, 4--3

1. MATERIAL: HIPS, COLOR: NATURAL
2. QTY. : 8 X 6 = 48 POCKETS PER TRAY
3. TOLERANCES ON TRAY DIMENSIONS ARE REFERENCE

THIS DRAWING IS A CONTROLLED DOCUMENT.		DWN	-	 TE Connectivity Ltd.
DIMENSIONS: mm		CHK	-	
		APVD	-	
TOLERANCES UNLESS OTHERWISE SPECIFIED:		NAME		84 POSITION
0 PLG ± 1 PLG ± 2 PLG ± 3 PLG ± 4 PLG ± ANGLES ± FINISH		PRODUCT SPEC		SLIVER 2.0 STRADDLE MOUNT
MATERIAL		APPLICATION SPEC		SIZE A2
		WEIGHT		CAGE CODE 00779
		CUSTOMER DRAWING		DRAWING NO C-2340326
		SCALE NTS		RESTRICTED TO
		SHEET 4 OF 4		REV F2