

THIS DRAWING IS UNPUBLISHED.

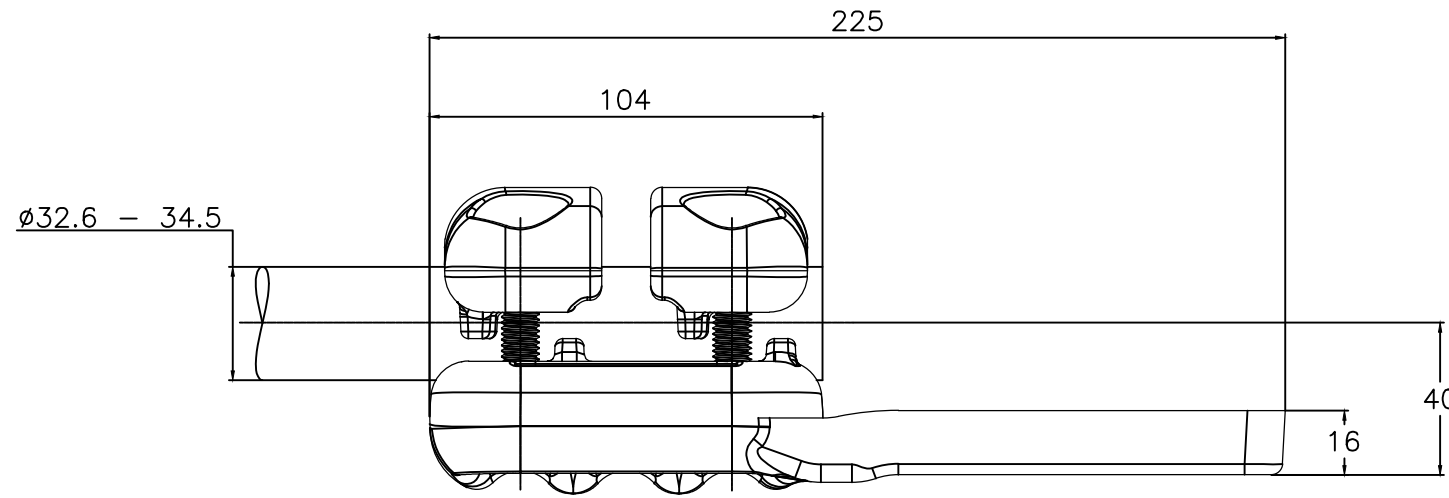
RELEASED FOR PUBLICATION

ALL RIGHTS RESERVED.

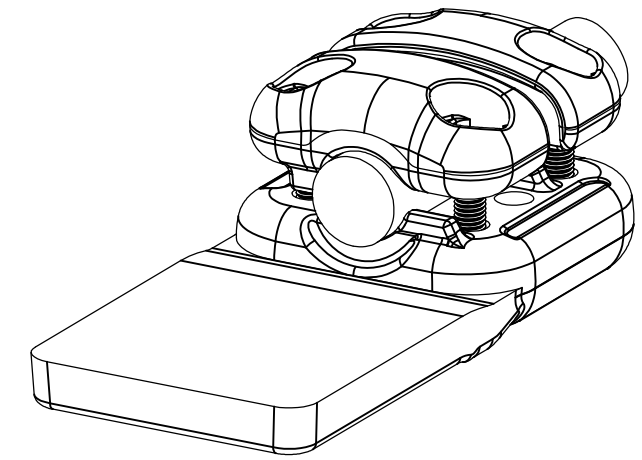
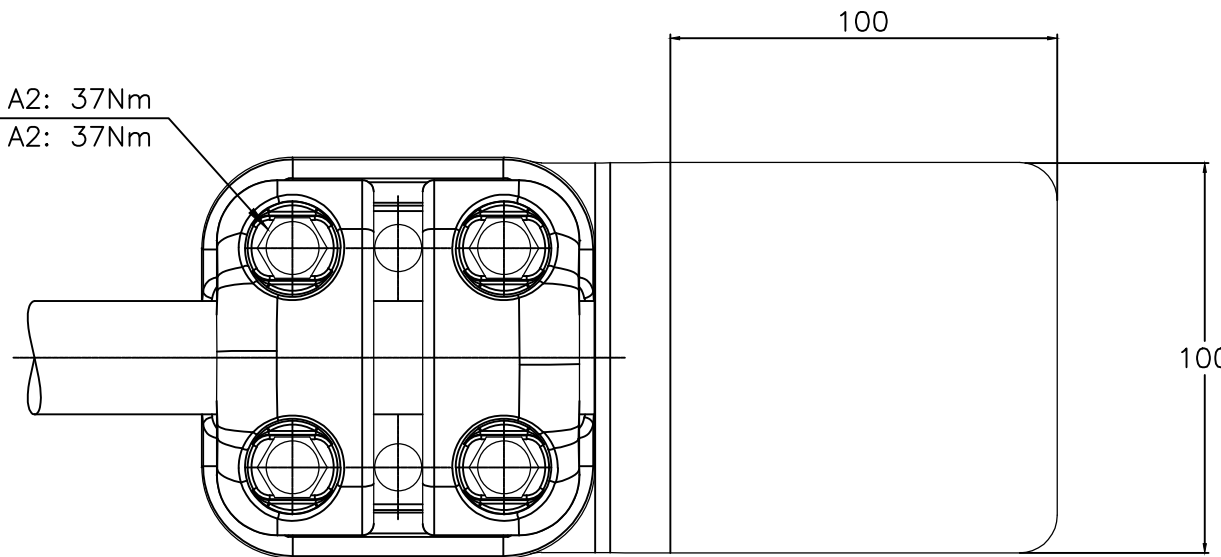
© COPYRIGHT - By -

REVISIONS

P	LTR	DESCRIPTION	DATE	DWN	APVD
	A	CREATION	01-AUG-18	GL	-



M10 Bolts stainless steel A2: 37Nm
 Boulons M10 acier inoxydable A2: 37Nm



No scale - sans echelle

THIS DRAWING IS A CONTROLLED DOCUMENT.

DWN LAFORGE 01-AUG-18

CHK -

APVD -

PRODUCT SPEC

108-69096-001

APPLICATION SPEC

-

APPROX.WEIGHT 1.5 kg

CUSTOMER DRAWING



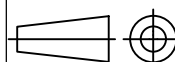
NAME Pad connector for single conductor
 Connecteur à plage pour faisceau simple
 5 PD 82 M345 100

SIZE A3 CAGE CODE - DRAWING NO ©=2340369 RESTRICTED TO -

SCALE 1/2 SHEET 1 OF 1 REV A

DIMENSIONS: mm

TOLERANCES UNLESS OTHERWISE SPECIFIED:



0 PLC	± -
1 PLC	± -
2 PLC	± -
3 PLC	± -
4 PLC	± -
ANGLES	± -

MATERIAL -

FINISH -

ITEM:.....