

THIS DRAWING IS UNPUBLISHED.

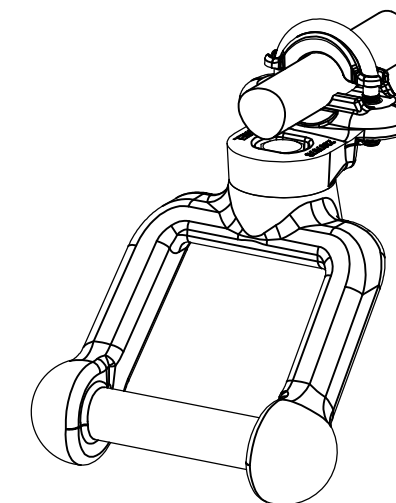
RELEASED FOR PUBLICATION

ALL RIGHTS RESERVED.

© COPYRIGHT - By -

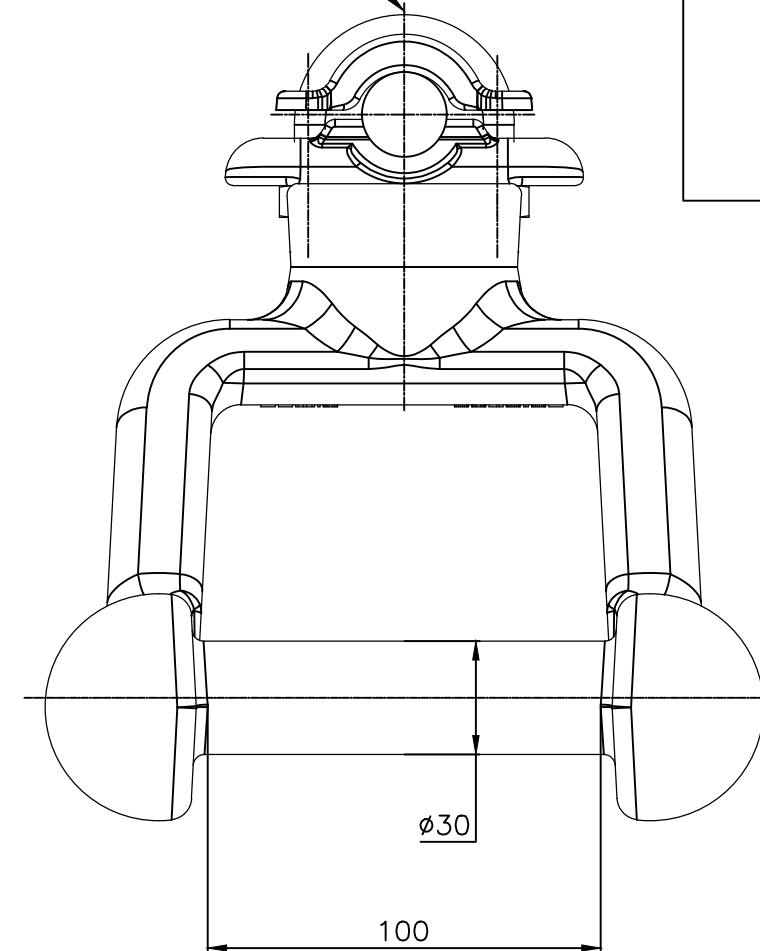
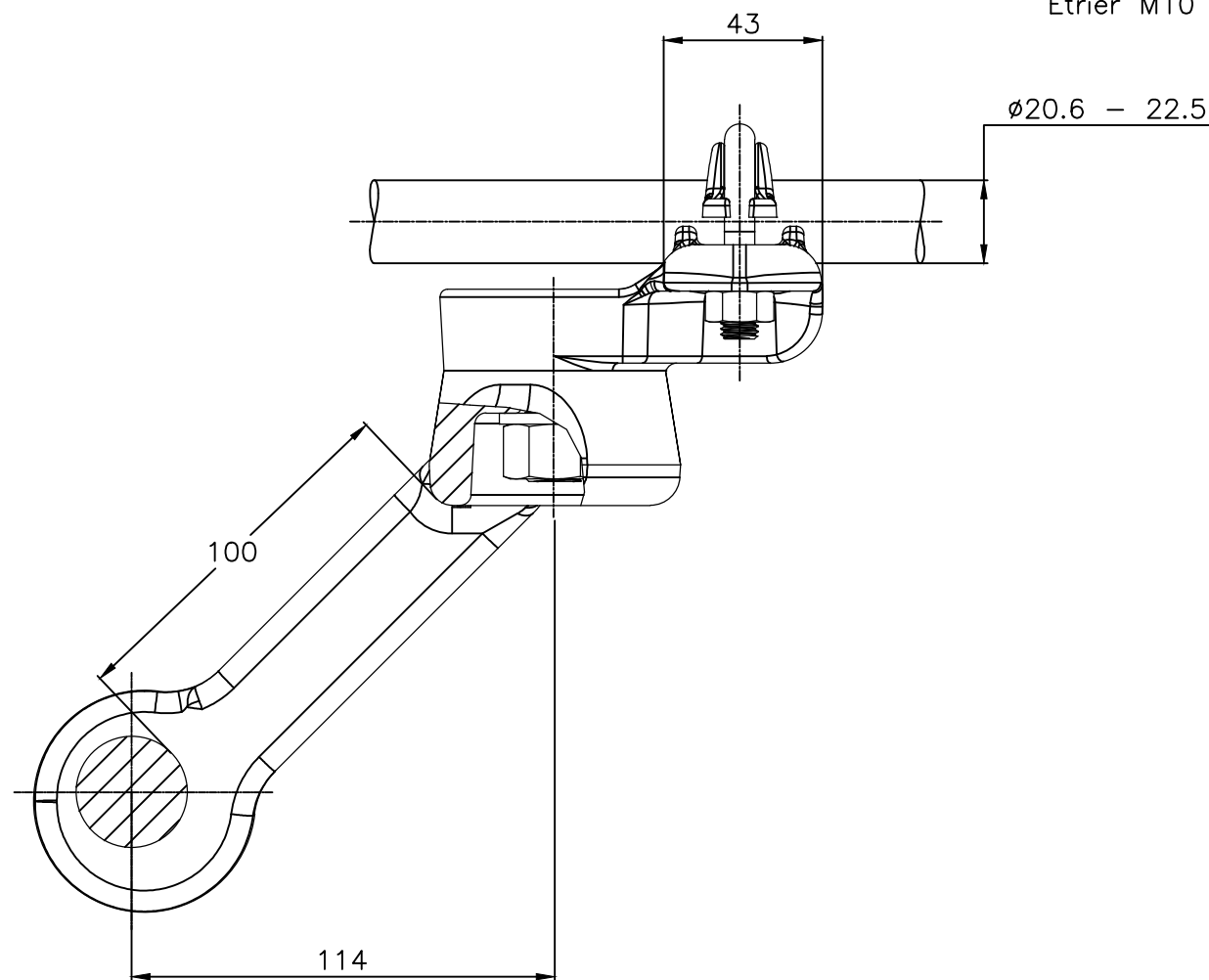
REVISIONS

P	LTR	DESCRIPTION	DATE	DWN	APVD
	A	CREATION	09-AUG-18	BH	-


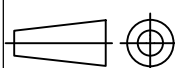


No scale - sans echelle

M10 U-Bolts stainless steel A4: 37Nm
 Etrier M10 acier inoxydable A4: 37Nm



ITEM:.....

THIS DRAWING IS A CONTROLLED DOCUMENT.		DWN	09-AUG-18		 TE Connectivity
		CHK	-		
		APVD	-		
		PRODUCT SPEC	-		
DIMENSIONS:	TOLERANCES UNLESS OTHERWISE SPECIFIED:	NAME		Earthing stirrup	
mm		APPLICATION SPEC		Prise MALT	
	0 PLC ± -	108-69096-001		5 CAMALT 84 S225	
	1 PLC ± -	APPROX.WEIGHT		SIZE	CAGE CODE
	2 PLC ± -	1.7 kg		A3	-
	3 PLC ± -	CUSTOMER DRAWING		DRAWING NO	
	4 PLC ± -	SCALE		C=2340970	
	ANGLES ± -	1:2		RESTRICTED TO	
MATERIAL	FINISH	SHEET		1 OF 1	
-	-	REV		A	