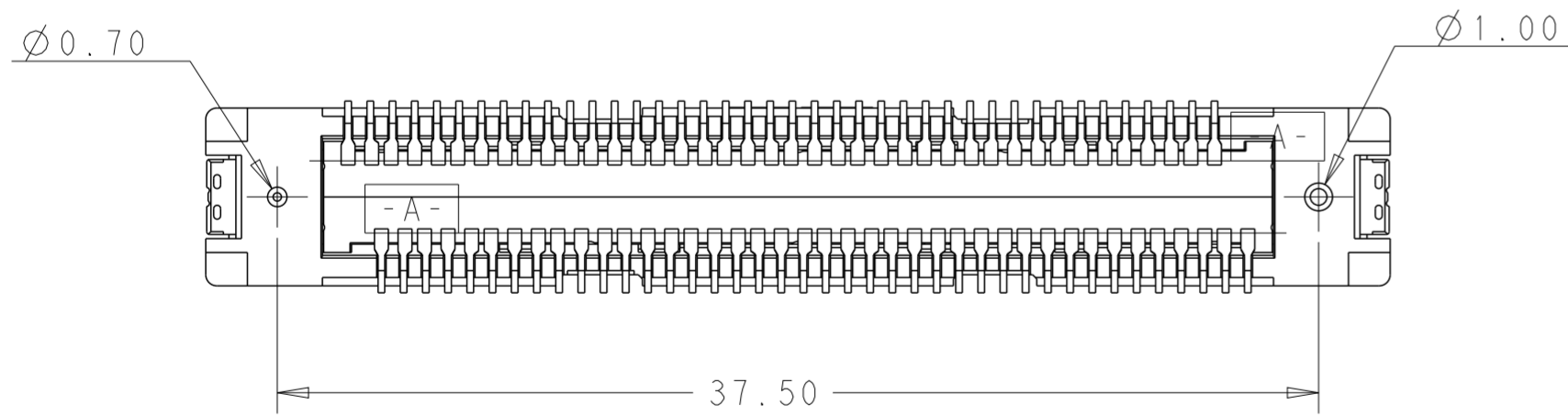
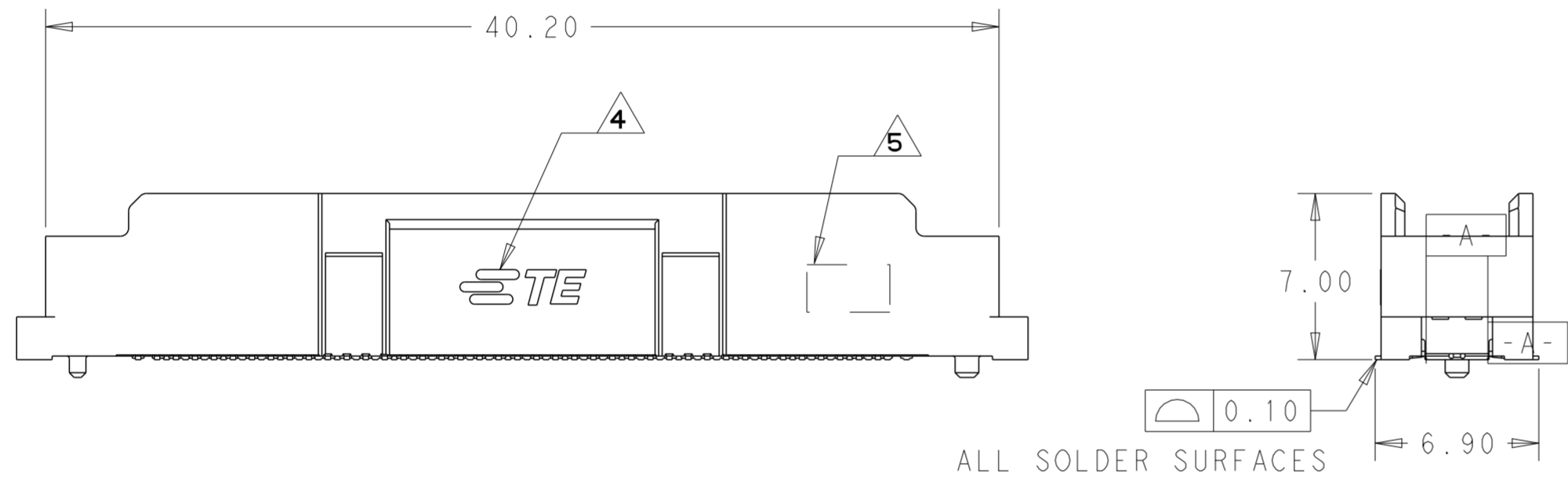
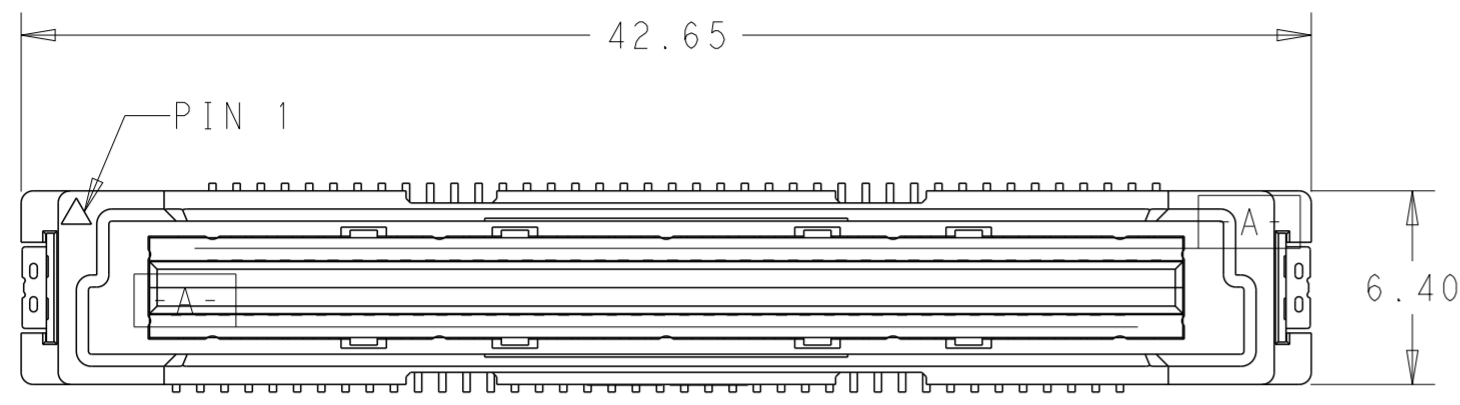


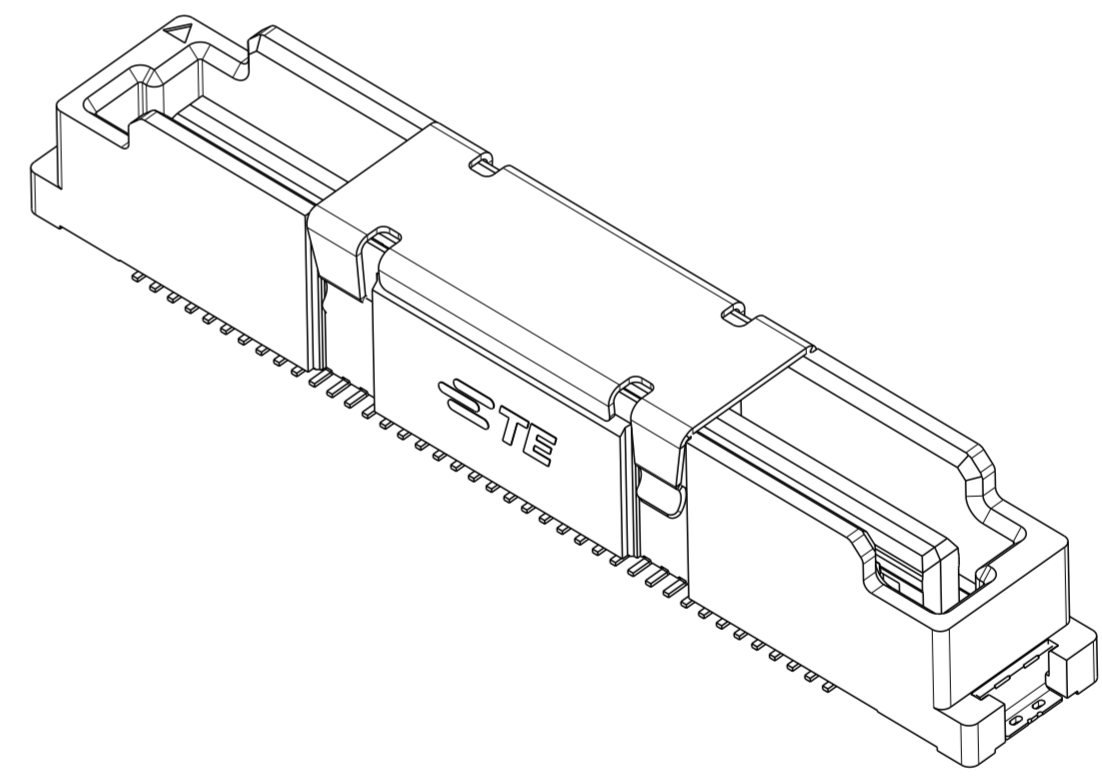
THIS DRAWING IS UNPUBLISHED. RELEASED FOR PUBLICATION 20
 © COPYRIGHT 20 BY - ALL RIGHTS RESERVED.

REVISIONS					
P	LTR	DESCRIPTION	DATE	DWN	APVD
5		CHANGE RECESS OF HOUSING, T/R CONFIRM	07DEC2018	A.L	H.L
6		ADD PAGE 3 OF PACKAGE INFO	01FEB2019	A.L	H.L
7		REMOVE Preliminary mark	13JUN2019	A.L	H.L
A		REVISE TO A	26NOV2019	AL	HL



NOTES:

- 1 MATERIAL:
HOUSING AND CONTACT OVERMOLD: LCP, BLACK.
METAL COVER: STAINLESS STEEL.
CONTACTS: COPPER ALLOY.
- 2 FINISH:
UNDERPLATE: 1.27um MIN. NICKEL ALL OVER.
ENGAGEMENT AREA: AU PLATED
SOLDERING AREA: 1.0um MIN. MATTE TIN
- 3. DESIGNED FOR A 1.00 MIN THICK PC BOARD.
- 4 TE CONNECTIVITY LOGO MARKED IN APPROXIMATE AREA SHOWN.
- 5 PART NUMBER AND DATE CODE MARKED IN APPROXIMATE AREA SHOWN.
- 6. PACKAGE: TAPE & REEL, 300PCS CONNECTORS PER REEL



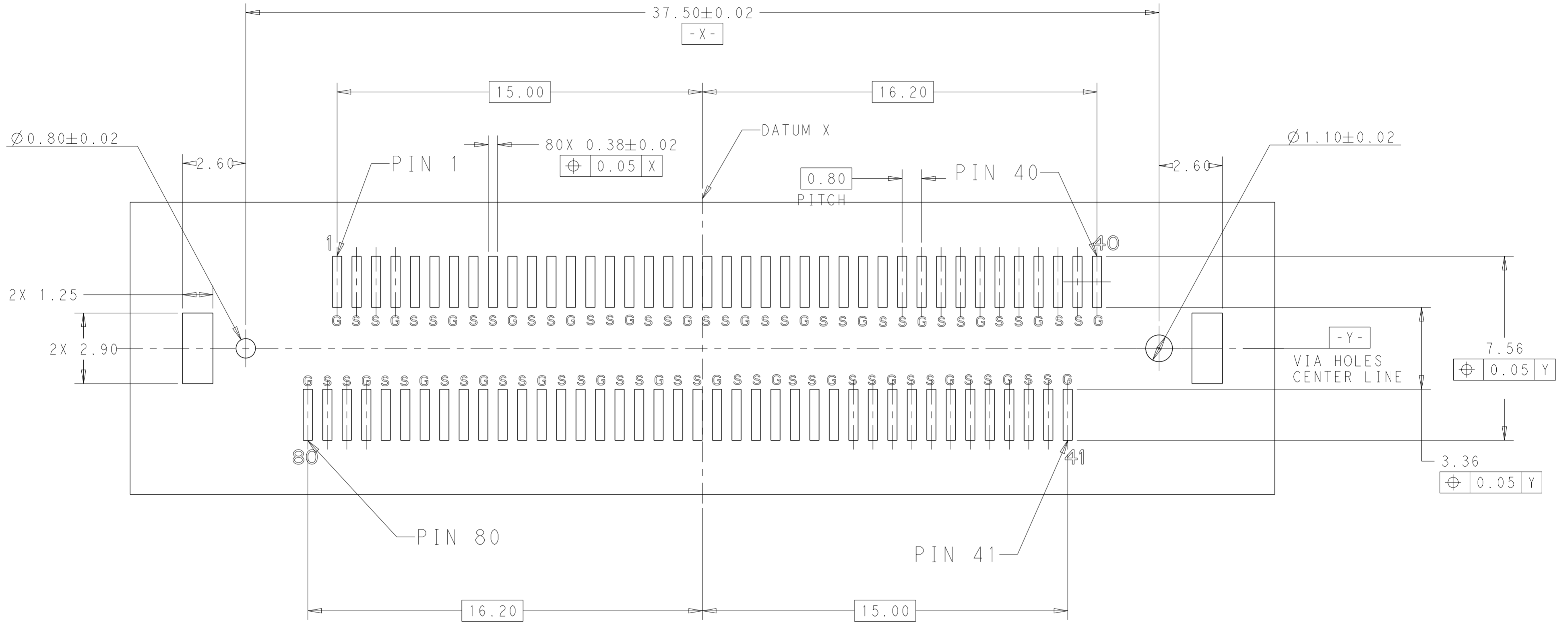
SCALE 4:1
80PINS 7H PLUG CONNECTOR WITH COVER

15u" Au TYPE	2341305-1
DESCRIPTION	P/N

THIS DRAWING IS A CONTROLLED DOCUMENT.		DWN	ART. LIN	27AUG2018	STE TE Connectivity														
		CHK	HOPE LU	07DEC2018															
		APVD	HOPE LU	07DEC2018															
		PRODUCT SPEC	108-115138-1																
DIMENSIONS: mm		TOLERANCES UNLESS OTHERWISE SPECIFIED:		NAME															
<table border="1"> <tr><td>0 PLC</td><td>±</td></tr> <tr><td>1 PLC</td><td>±0.2</td></tr> <tr><td>2 PLC</td><td>±0.15</td></tr> <tr><td>3 PLC</td><td>±0.050</td></tr> <tr><td>4 PLC</td><td>±0.0050</td></tr> <tr><td>ANGLES</td><td>±2°</td></tr> <tr><td>FINISH</td><td>-</td></tr> </table>		0 PLC	±	1 PLC	±0.2	2 PLC	±0.15	3 PLC	±0.050	4 PLC	±0.0050	ANGLES	±2°	FINISH	-	APPLICATION SPEC		80POS FH+ BTB PLUG CONNECTOR	
		0 PLC	±																
		1 PLC	±0.2																
		2 PLC	±0.15																
3 PLC	±0.050																		
4 PLC	±0.0050																		
ANGLES	±2°																		
FINISH	-																		
MATERIAL		WEIGHT		SIZE															
1 -		-		CAGE CODE															
		CUSTOMER DRAWING		A200779															
		SCALE		DRAWING NO															
		5:1		114-115019															
		SHEET		RESTRICTED TO															
		1 OF 3		A															
		REV																	
		A																	

THIS DRAWING IS UNPUBLISHED. RELEASED FOR PUBLICATION 20
 © COPYRIGHT 20 BY - ALL RIGHTS RESERVED.

REVISIONS				
P	LTR	DESCRIPTION	DATE	APVD
-	-	SEE SHEET 1	-	-



SCALE 8:1

RECOMMENDED PCB LAYOUT FOR 80PINS

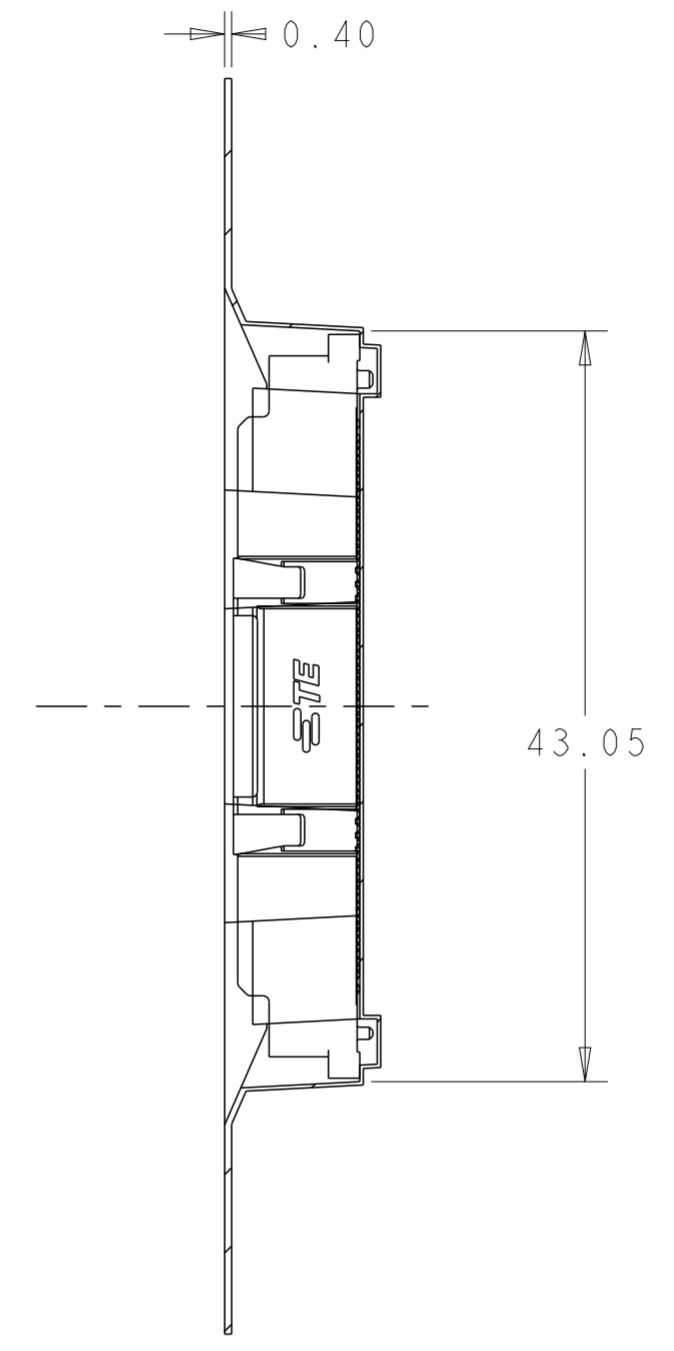
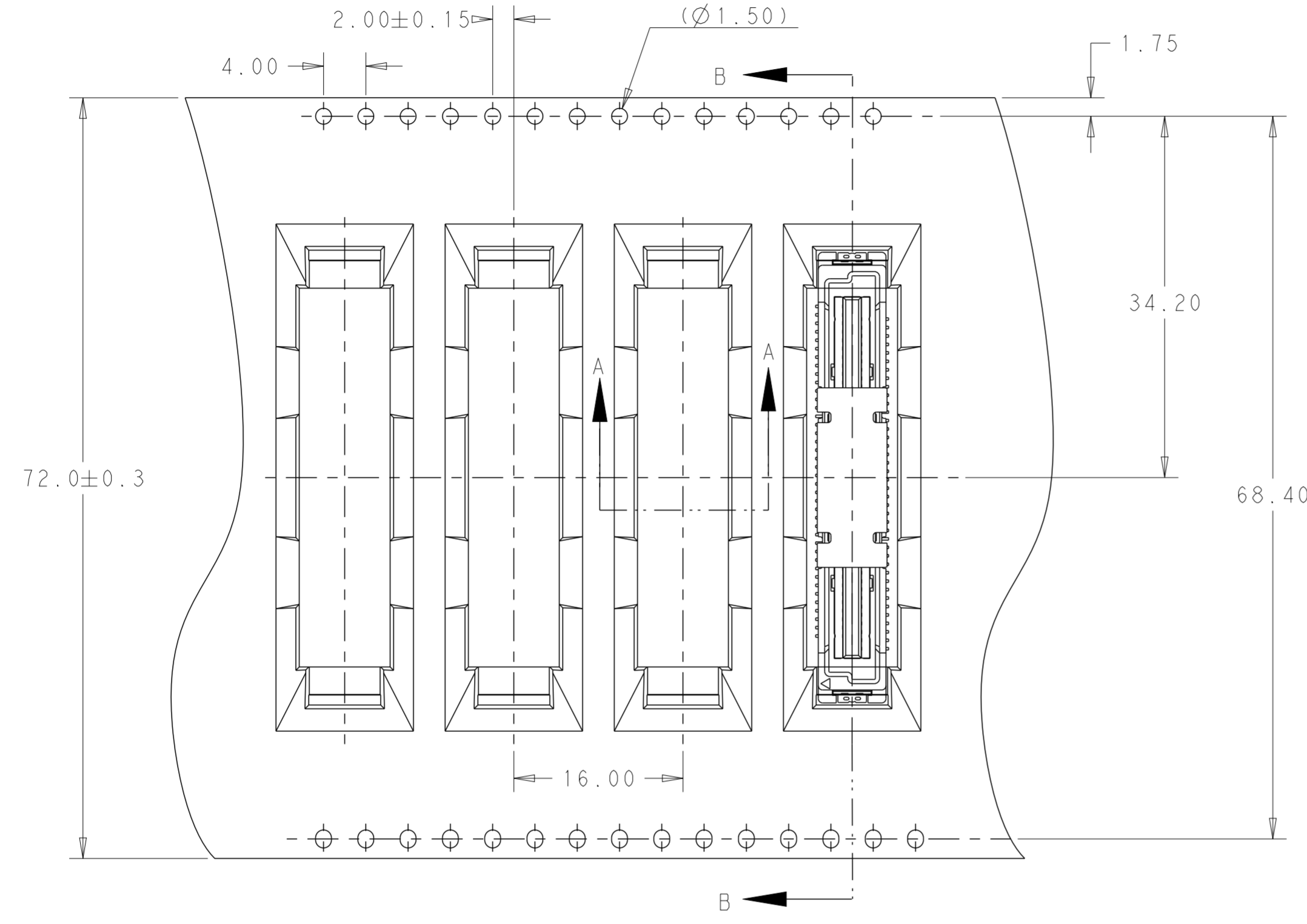
S: SIGNAL
 G: GROUND

THIS DRAWING IS A CONTROLLED DOCUMENT.		DWN ART.LIN 27AUG2018	STE TE Connectivity	
DIMENSIONS: mm		CHK HOPE LU 07DEC2018		
TOLERANCES UNLESS OTHERWISE SPECIFIED:		APVD HOPE LU 07DEC2018	NAME 80POS FH+ BTB PLUG CONNECTOR	
0 PLC ± 1 PLC ±0.2 2 PLC ±0.15 3 PLC ±0.050 4 PLC ±0.0050 ANGLES ±2°		PRODUCT SPEC 108-115138-1	VERTICAL TYPE, 7H, HIGH SPEED	
MATERIAL -		APPLICATION SPEC 114-115019	SIZE A2	CAGE CODE 00779
FINISH -		WEIGHT -	DRAWING NO C-2341305	RESTRICTED TO
		CUSTOMER DRAWING	SCALE 5:1	SHEET 2 OF 3
				REV A

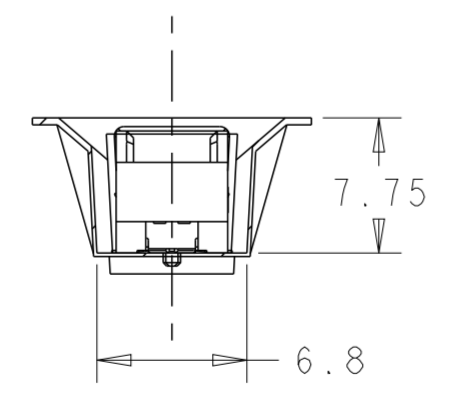
THIS DRAWING IS UNPUBLISHED. RELEASED FOR PUBLICATION 20
 © COPYRIGHT 20 BY - ALL RIGHTS RESERVED.

REVISIONS				
P	LTR	DESCRIPTION	DATE	APVD
-	-	SEE SHEET 1	-	-

USER DIRECTION OF UNREELING →



SECTION B-B



SECTION A-A

330DIA-100DIA(HUB)-77.5W(72.5W INSIDE)	PLASTIC	300+80 POCKETS MIN
SIZE(REF.)	FLANGE MATERIAL	QUANTITY PER REEL
REEL		

THIS DRAWING IS A CONTROLLED DOCUMENT.		DWN ART.LIN 27AUG2018	STE TE Connectivity
DIMENSIONS: mm		CHK HOPE LU 07DEC2018	
TOLERANCES UNLESS OTHERWISE SPECIFIED:		APVD HOPE LU 07DEC2018	NAME 80POS FH+ BTB PLUG CONNECTOR VERTICAL TYPE,7H,HIGH SPEED
0 PLC ±		PRODUCT SPEC 108-115138-1	
1 PLC ±0.2		APPLICATION SPEC 114-115019	SIZE A200779
2 PLC ±0.15		WEIGHT -	
3 PLC ±0.050		CUSTOMER DRAWING	SCALE 5:1
4 PLC ±0.0050		RESTRICTED TO	SHEET 3 OF 3
ANGLES ±2°			REV A
FINISH			