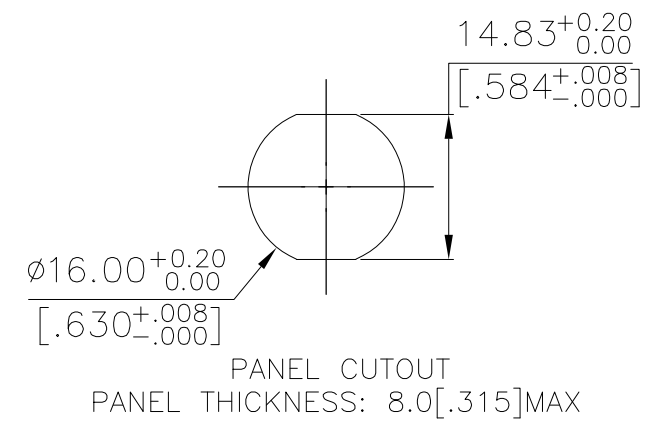
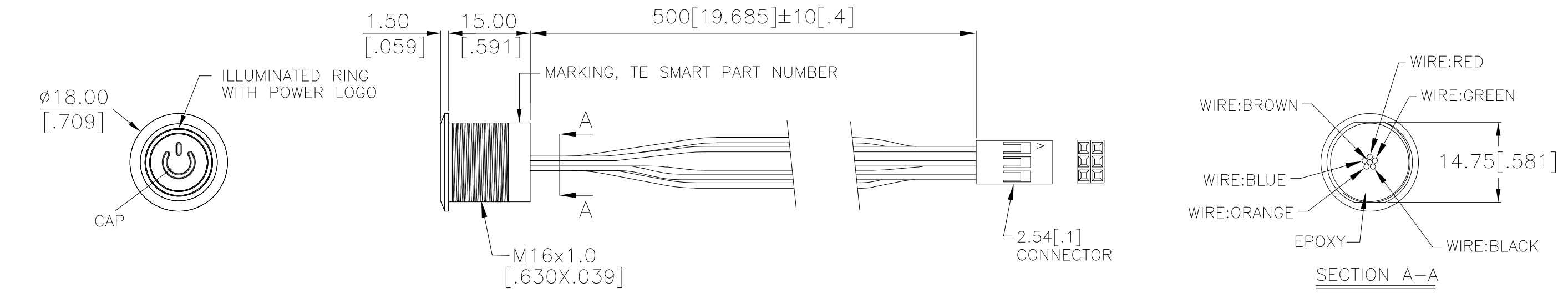
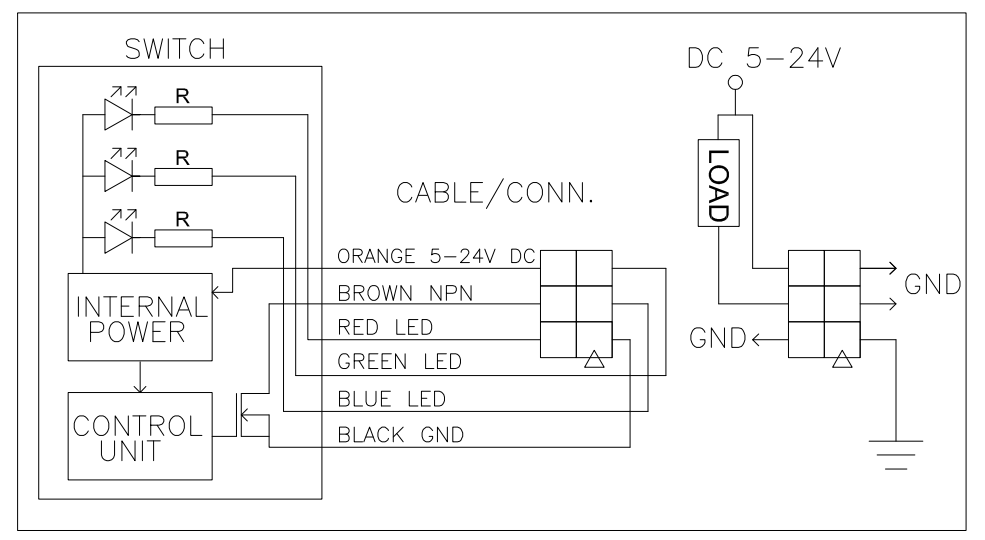
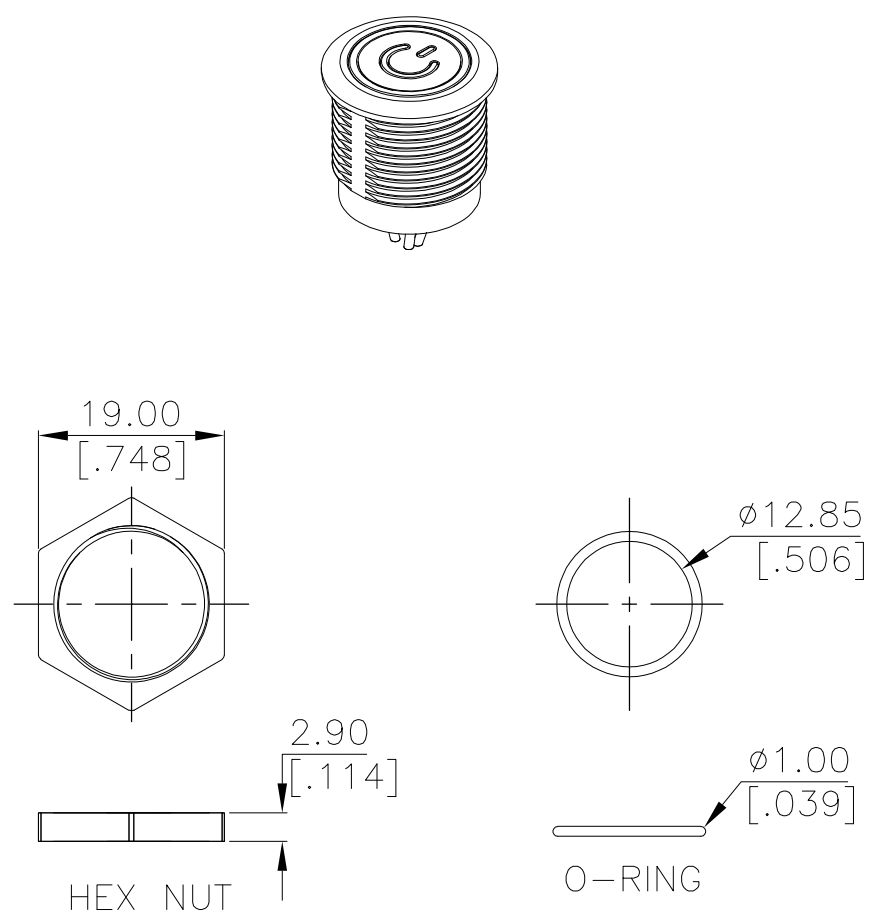


THIS DRAWING IS UNPUBLISHED. RELEASED FOR PUBLICATION
 © COPYRIGHT - TE Connectivity Ltd. ALL RIGHTS RESERVED.

REVISIONS					
P	LTR	DESCRIPTION	DATE	DWN	APVD
3		DRAWING UPDATED	19DEC2018	RSM	AS



INDICATOR			
SWITCH	LED		
	RED	GREEN	BLUE
OFF	CUSTOMER DEFINED		
ON	CUSTOMER DEFINED		



APPLICATION DIAGRAM

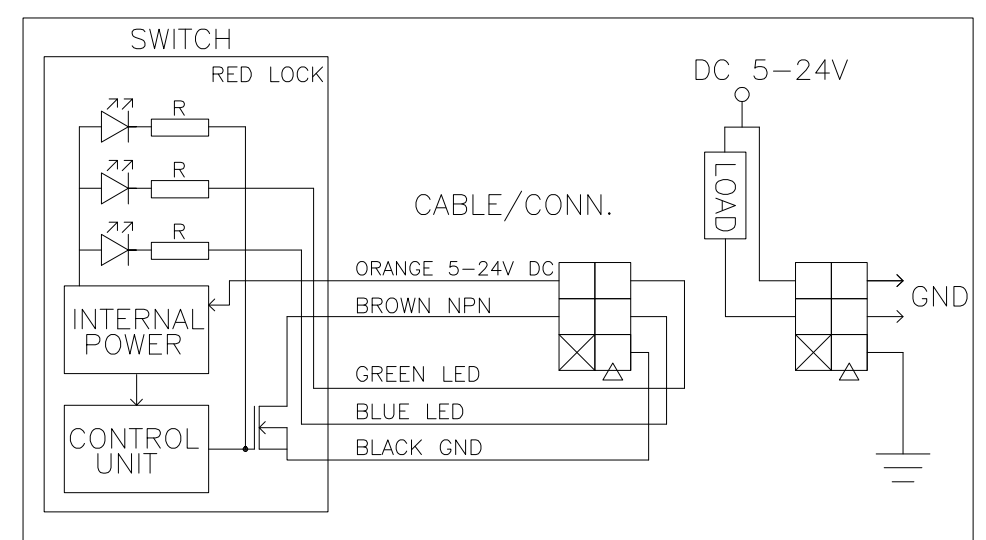
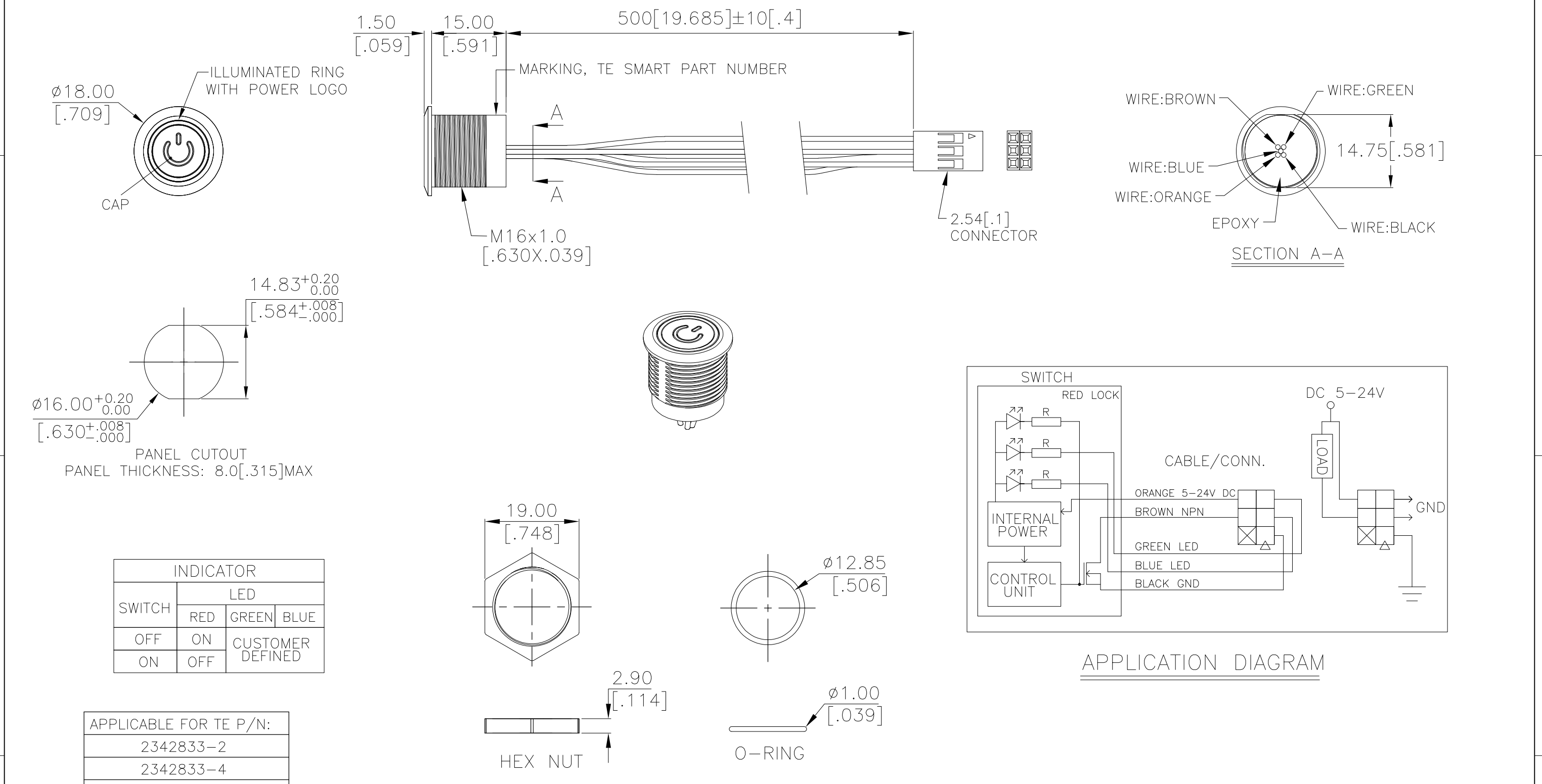
APPLICABLE FOR TE P/N:
2342833-1
2342833-3
2342833-5
2342833-7
2342833-8
2342833-9

PRELIMINARY

THIS DRAWING IS A CONTROLLED DOCUMENT.		DWN GANESH C M 29SEP2018	TE Connectivity Ltd.															
DIMENSIONS: mm [INCHES]		CHK ALEXANDER SHARPE 29SEP2018																
TOLERANCES UNLESS OTHERWISE SPECIFIED:		APVD ALEXANDER SHARPE 29SEP2018	NAME SWITCH,AV,CAPACITIVE,16mm,FL BTN, ILLUM RING W/POWER LOGO,LED, LEADED W/2x3 REC															
<table border="0"> <tr><td>0 PLC</td><td>± -</td></tr> <tr><td>1 PLC</td><td>± 0.4[.016]</td></tr> <tr><td>2 PLC</td><td>± 0.25[.010]</td></tr> <tr><td>3 PLC</td><td>± -</td></tr> <tr><td>4 PLC</td><td>± -</td></tr> <tr><td>ANGLES</td><td>± -</td></tr> </table>		0 PLC	± -	1 PLC	± 0.4[.016]	2 PLC	± 0.25[.010]	3 PLC	± -	4 PLC	± -	ANGLES	± -	PRODUCT SPEC -	SIZE A3	CAGE CODE 00779	DRAWING NO 2342833	RESTRICTED TO -
0 PLC	± -																	
1 PLC	± 0.4[.016]																	
2 PLC	± 0.25[.010]																	
3 PLC	± -																	
4 PLC	± -																	
ANGLES	± -																	
MATERIAL -		FINISH -	CUSTOMER DRAWING		SCALE NTS	SHEET 1 of 3	REV 3											

THIS DRAWING IS UNPUBLISHED. RELEASED FOR PUBLICATION
 © COPYRIGHT - TE Connectivity Ltd. ALL RIGHTS RESERVED.

P	LTR	DESCRIPTION	DATE	DWN	APVD
-	-	SEE SHEET 1	-	-	-



INDICATOR			
SWITCH	LED		
	RED	GREEN	BLUE
OFF	ON	CUSTOMER DEFINED	
ON	OFF	CUSTOMER DEFINED	

APPLICABLE FOR TE P/N:
2342833-2
2342833-4
2342833-6

PRELIMINARY

THIS DRAWING IS A CONTROLLED DOCUMENT.		DWN GANESH C M 29SEP2018	TE Connectivity Ltd.															
DIMENSIONS: mm [INCHES]		CHK ALEXANDER SHARPE 29SEP2018																
TOLERANCES UNLESS OTHERWISE SPECIFIED:		APVD ALEXANDER SHARPE 29SEP2018	NAME SWITCH,AV,CAPACITIVE,16mm,FL BTN, ILLUM RING W/POWER LOGO,LED, LEADED W/2x3 REC															
<table border="0"> <tr> <td>0 PLC</td> <td>± -</td> </tr> <tr> <td>1 PLC</td> <td>± 0.4[.016]</td> </tr> <tr> <td>2 PLC</td> <td>± 0.25[.010]</td> </tr> <tr> <td>3 PLC</td> <td>± -</td> </tr> <tr> <td>4 PLC</td> <td>± -</td> </tr> <tr> <td>ANGLES</td> <td>± -</td> </tr> </table>		0 PLC	± -	1 PLC	± 0.4[.016]	2 PLC	± 0.25[.010]	3 PLC	± -	4 PLC	± -	ANGLES	± -	PRODUCT SPEC -	SIZE A3	CAGE CODE 00779	DRAWING NO C-2342833	RESTRICTED TO -
0 PLC	± -																	
1 PLC	± 0.4[.016]																	
2 PLC	± 0.25[.010]																	
3 PLC	± -																	
4 PLC	± -																	
ANGLES	± -																	
MATERIAL -		FINISH -	WEIGHT		SCALE NTS	SHEET 2 of 3	REV 3											
CUSTOMER DRAWING																		


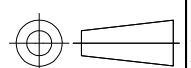
THIS DRAWING IS UNPUBLISHED. RELEASED FOR PUBLICATION
 © COPYRIGHT - TE Connectivity Ltd. ALL RIGHTS RESERVED.

REVISIONS					
P	LTR	DESCRIPTION	DATE	DWN	APVD
	-	SEE SHEET 1	-	-	-

NOTES:

- SPECIFICATIONS:
 - OPERATING LIFE: 50 MILLION CYCLES MIN.
 - ACTUATION FORCE: TOUCH, ZERO FORCE
 - RATING: 5-24 VDC@1A MAX.
 - CONTACT RESISTANCE: 1Ω MAX.
 - CURRENT DRAW WITHOUT ILLUMINATION: 2mA MAXIMUM
 - CURRENT DRAW WITH ILLUMINATION: 10mA MAXIMUM
 - OUTPUT MODE: NPN TRANSISTOR
 - OPERATING TEMPERATURE: -20° TO 65°C [-4° TO 149°F]
 - STORAGE TEMPERATURE: -40° TO 85°C [-40° TO 185°F]
 - INGRESS PROTECTION: IP68, PANEL SIDE
 - MOUNTING TORQUE: 2.5Nm MAXIMUM
- MATERIAL:
 - SEALING: SILICONE, EPOXY
 - O-RING: SILICONE
 - HEX NUT: NICKEL PLATED BRASS
 - WIRE: UL3385, UL10368 OR EQUIVALENT
 - BUSHING: SEE TABLE
 - CAP: SEE TABLE
- PACKAGING: SWITCH ASSEMBLIES ARE INDIVIDUALLY BUNDLED WITH ESD PROTECTION. HARDWARE IS NOT ASSEMBLED TO THE SWITCH.
- COMPLIANCE: THE CURRENT STATEMENT OF COMPLIANCE IS AVAILABLE AT TE.COM.
- HARDWARE IS SHIPPED UNASSEMBLED.

PC; STAINLESS STEEL	STAINLESS STEEL 316	RGB	MOMENTARY	AVC16MS16FE1DT5B04	2342833-9
PC; STAINLESS STEEL	STAINLESS STEEL 304	RGB	MOMENTARY	AVC16MS04FE1DT5B04	2342833-8
PC; ALUMINUM	ALUMINUM	RGB	MOMENTARY	AVC16MAIOFE1DT5B04	2342833-7
PC; STAINLESS STEEL	STAINLESS STEEL 316	RED LOCK	LOCKING	AVC16LS16FE13T5B04	2342833-6
PC; STAINLESS STEEL	STAINLESS STEEL 316	RGB	LOCKING	AVC16LS16FE1DT5B04	2342833-5
PC; STAINLESS STEEL	STAINLESS STEEL 304	RED LOCK	LOCKING	AVC16LS04FE13T5B04	2342833-4
PC; STAINLESS STEEL	STAINLESS STEEL 304	RGB	LOCKING	AVC16LS04FE1DT5B04	2342833-3
PC; ALUMINUM	ALUMINUM	RED LOCK	LOCKING	AVC16LAIOFE13T5B04	2342833-2
PC; ALUMINUM	ALUMINUM	RGB	LOCKING	AVC16LAIOFE1DT5B04	2342833-1
CAP MATERIAL	BUSHING MATERIAL	LED COLOR	CONTACT CONFIGURATION	TE SMART PART NUMBER	PART NUMBER

THIS DRAWING IS A CONTROLLED DOCUMENT.		DWN GANESH C M 29SEP2018	 TE Connectivity Ltd.		
DIMENSIONS: mm [INCHES]		CHK ALEXANDER SHARPE 29SEP2018			
		APVD ALEXANDER SHARPE 29SEP2018	NAME SWITCH,AV,CAPACITIVE,16mm,FL BTN, ILLUM RING W/POWER LOGO,LED, LEADED W/2x3 REC		
TOLERANCES UNLESS OTHERWISE SPECIFIED: 0 PLC ± - 1 PLC ± 0.4[.016] 2 PLC ± 0.25[.010] 3 PLC ± - 4 PLC ± - ANGLES ± -		PRODUCT SPEC -	APPLICATION SPEC -		
MATERIAL -	FINISH -	WEIGHT	SIZE A3	CAGE CODE 00779	DRAWING NO C-2342833
CUSTOMER DRAWING			SCALE NTS	SHEET 3 OF 3	REV 3

PRELIMINARY