

THIS DRAWING IS UNPUBLISHED.

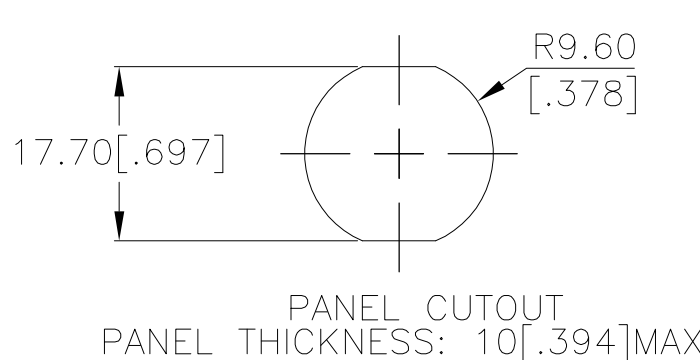
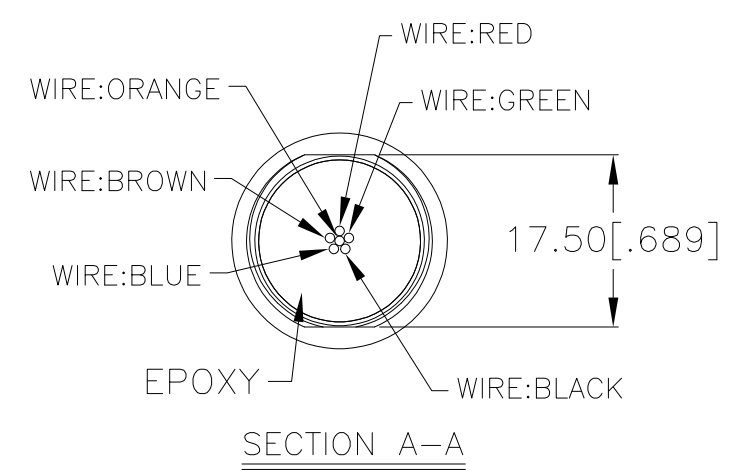
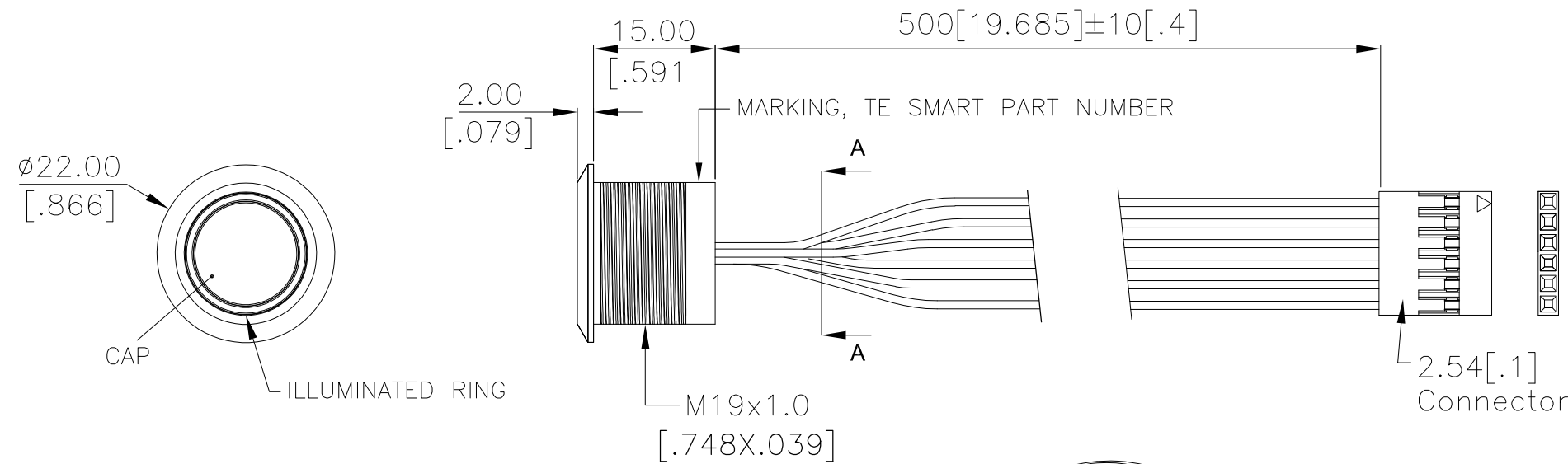
RELEASED FOR PUBLICATION

ALL RIGHTS RESERVED.

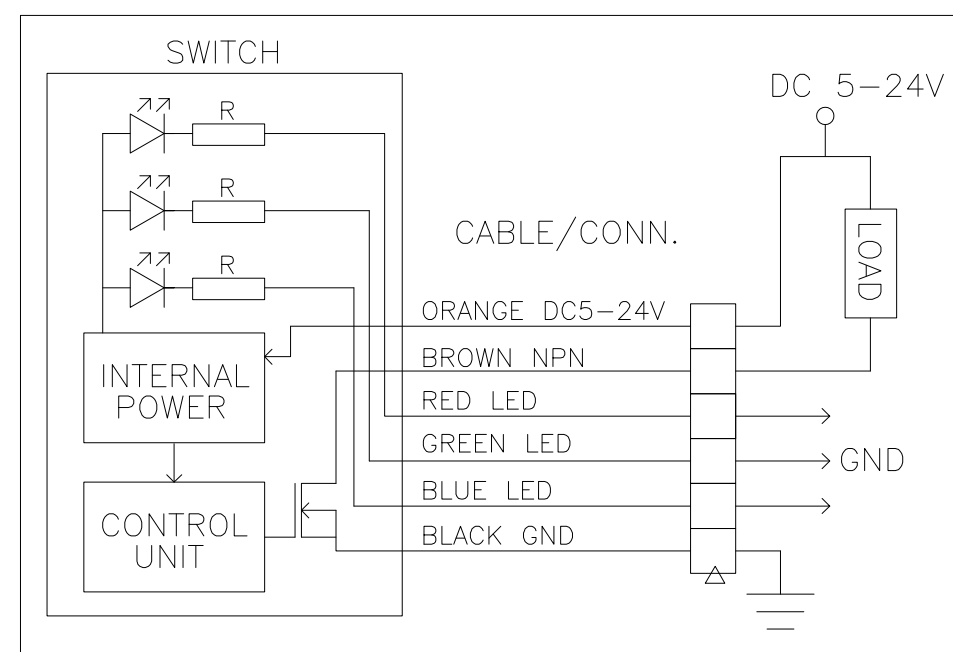
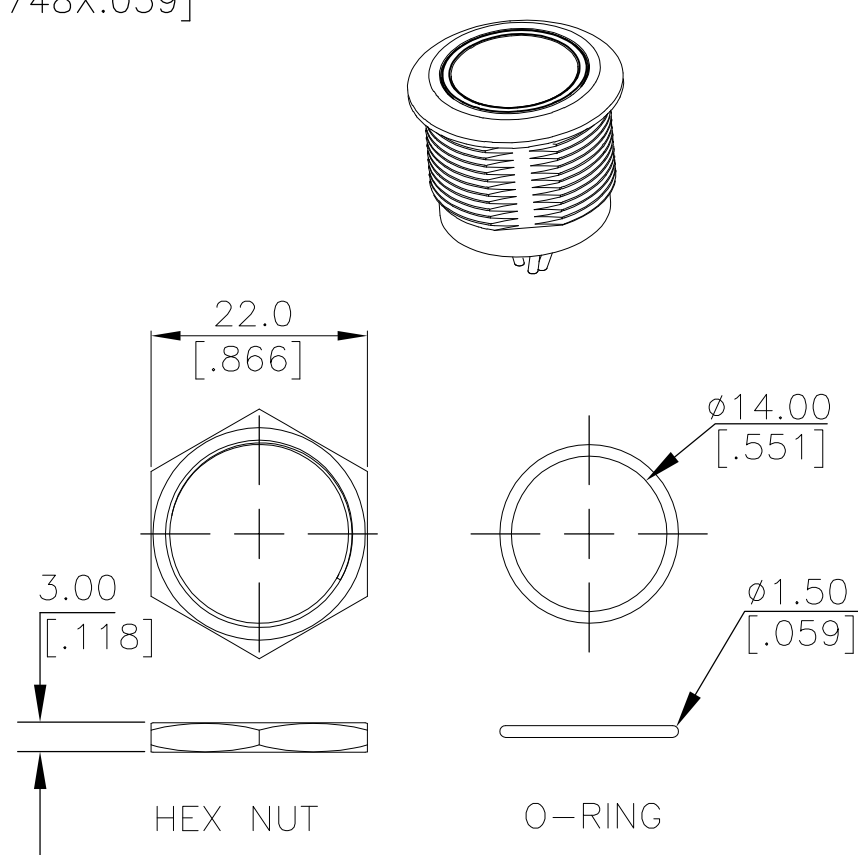
© COPYRIGHT - TE Connectivity Ltd.

REVISIONS

P	LTR	DESCRIPTION	DATE	DWN	APVD
3		DRAWING UPDATEDD	19DEC2018	RSM	AS



INDICATOR			
SWITCH	LED		
	RED	GREEN	BLUE
OFF	CUSTOMER DEFINED		
ON	CUSTOMER DEFINED		



APPLICABLE FOR TE P/N:

2342834-1
2342834-3
2342834-5
2342834-7
2342834-8
2342834-9

THIS DRAWING IS A CONTROLLED DOCUMENT.

DIMENSIONS:	TOLERANCES UNLESS OTHERWISE SPECIFIED:
mm [INCHES]	
0 PLC	± -
1 PLC	± 0.4[.016]
2 PLC	± 0.25[.010]
3 PLC	± -
4 PLC	± -
ANGLES	± -
FINISH	

DWN	GANESH C M	29SEP2018
CHK	ALEXANDER SHARPE	29SEP2018
APVD	ALEXANDER SHARPE	29SEP2018
PRODUCT SPEC		
APPLICATION SPEC		
WEIGHT		



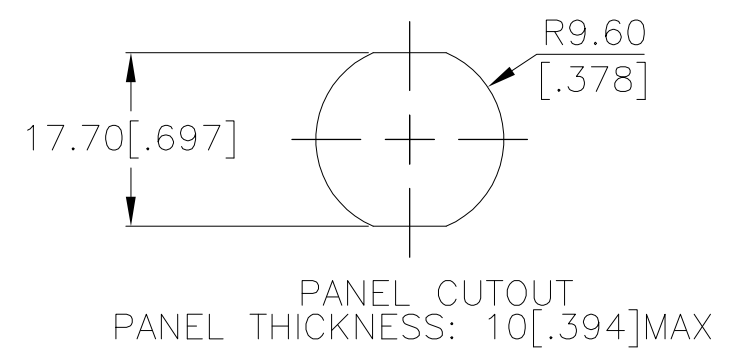
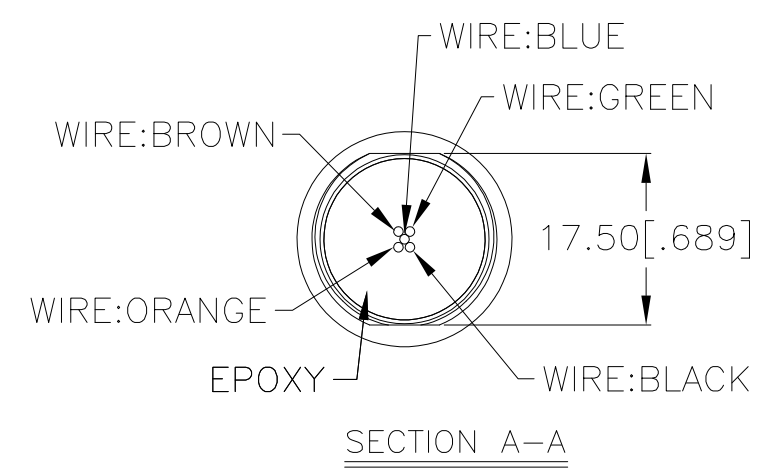
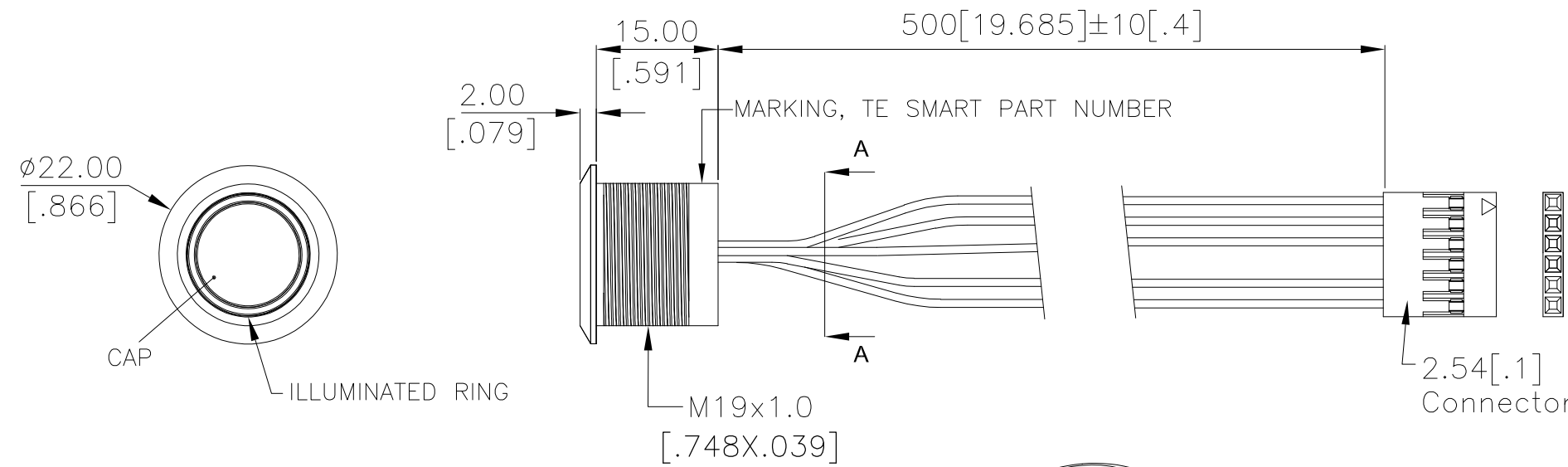
SWITCH,AV,CAPACITIVE,19mm,FL BTN, ILLUM RING,LED,LEADED W/ 1x6 REC

PRELIMINARY

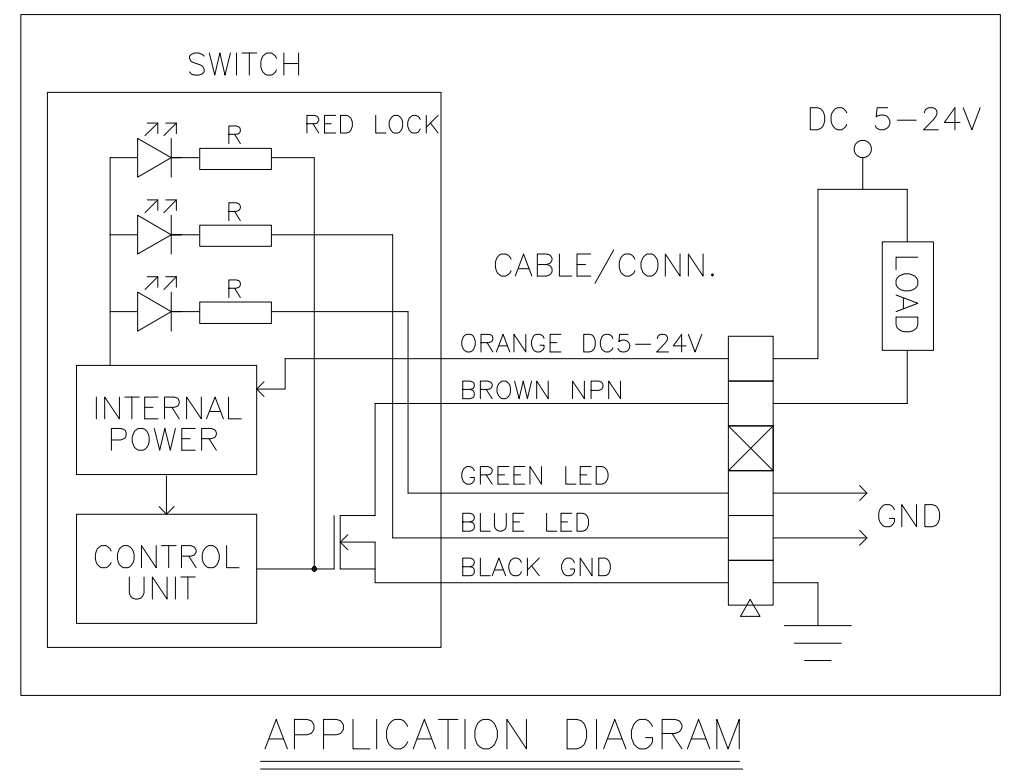
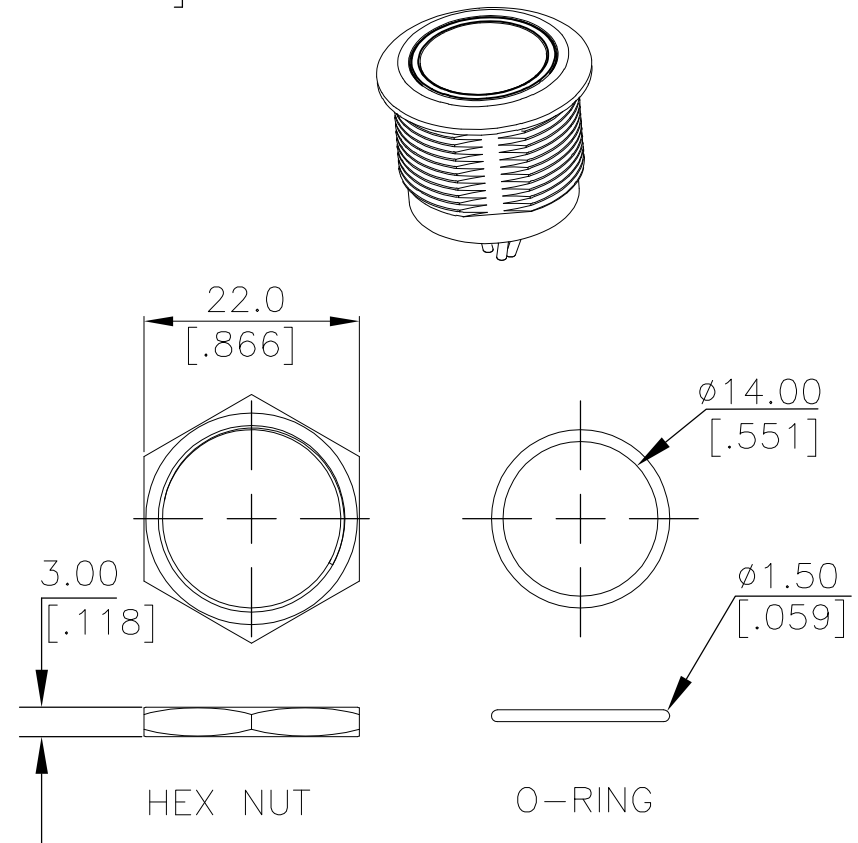
SIZE	CAGE CODE	DRAWING NO	RESTRICTED TO
A3	00779	C=2342834	-
CUSTOMER DRAWING		SCALE	SHEET
		NTS	1 OF 3
		REV	3

THIS DRAWING IS UNPUBLISHED. RELEASED FOR PUBLICATION
 © COPYRIGHT - TE Connectivity Ltd. ALL RIGHTS RESERVED.

REVISIONS					
P	LTR	DESCRIPTION	DATE	DWN	APVD
-	-	SEE SHEET 1	-	-	-



INDICATOR			
SWITCH	LED		
	RED	GREEN	BLUE
OFF	ON	CUSTOMER DEFINED	
ON	OFF	CUSTOMER DEFINED	



APPLICABLE FOR TE P/N:
2342834-2
2342834-4
2342834-6

THIS DRAWING IS A CONTROLLED DOCUMENT.		DWN GANESH C M 29SEP2018	TE Connectivity Ltd.			
DIMENSIONS: mm [INCHES]		CHK ALEXANDER SHARPE 29SEP2018				
TOLERANCES UNLESS OTHERWISE SPECIFIED: 0 PLC ± - 1 PLC ± 0.4[.016] 2 PLC ± 0.25[.010] 3 PLC ± - 4 PLC ± - ANGLES ± -		APVD ALEXANDER SHARPE 29SEP2018	NAME SWITCH,AV,CAPACITIVE,19mm,FL BTN, ILLUM RING,LED,LEADED W/ 1x6 REC			
MATERIAL		PRODUCT SPEC	SIZE	CAGE CODE	DRAWING NO	RESTRICTED TO
FINISH		APPLICATION SPEC	A3	00779	C-2342834	-
CUSTOMER DRAWING			SCALE	SHEET	REV	
			NTS	2 of 3	3	

PRELIMINARY

THIS DRAWING IS UNPUBLISHED.

RELEASED FOR PUBLICATION

REVISIONS

© COPYRIGHT - TE Connectivity Ltd.

ALL RIGHTS RESERVED.

P	LTR	DESCRIPTION	DATE	DWN	APVD
-	-	SEE SHEET 1	-	-	-

NOTES:

1. SPECIFICATIONS:

1. OPERATING LIFE: 50 MILLION CYCLES MIN.
2. ACTUATION FORCE: TOUCH, ZERO FORCE
3. RATING: 5-24 VDC@1A MAX.
4. CONTACT RESISTANCE: 1Ω MAX.
5. CURRENT DRAW WITHOUT ILLUMINATION: 2mA MAXIMUM
6. CURRENT DRAW WITH ILLUMINATION: 10mA MAXIMUM
7. OUTPUT MODE: NPN TRANSISTOR
8. OPERATING TEMPERATURE: -20° TO 65°C [-4° TO 149°F]
9. STORAGE TEMPERATURE: -40° TO 85°C [-40° TO 185°F]
10. INGRESS PROTECTION: IP68, PANEL SIDE
11. MOUNTING TORQUE: 2.5Nm MAXIMUM

2. MATERIAL:

1. SEALING: SILICONE, EPOXY
2. O-RING: SILICONE
3. HEX NUT: NICKEL PLATED BRASS
4. WIRE: UL3385, UL10368 OR EQUIVALENT
5. BUSHING: SEE TABLE
6. CAP: SEE TABLE

3. PACKAGING:

SWITCH ASSEMBLIES ARE INDIVIDUALLY BUNDLED WITH ESD PROTECTION. HARDWARE IS NOT ASSEMBLED TO THE SWITCH.

4. COMPLIANCE:

THE CURRENT STATEMENT OF COMPLIANCE IS AVAILABLE AT TE.COM.

5. HARDWARE IS SHIPPED UNASSEMBLED.

PC; STAINLESS STEEL	STAINLESS STEEL 316	RGB	MOMENTARY	AVC19MS16FE0DT5A04	2342834-9
PC; STAINLESS STEEL	STAINLESS STEEL 304	RGB	MOMENTARY	AVC19MS04FE0DT5A04	2342834-8
PC; ALUMINUM	ALUMINUM	RGB	MOMENTARY	AVC19MAIOFE0DT5A04	2342834-7
PC; STAINLESS STEEL	STAINLESS STEEL 316	RED LOCK	LOCKING	AVC19LS16FE03T5A04	2342834-6
PC; STAINLESS STEEL	STAINLESS STEEL 316	RGB	LOCKING	AVC19LS16FE0DT5A04	2342834-5
PC; STAINLESS STEEL	STAINLESS STEEL 304	RED LOCK	LOCKING	AVC19LS04FE03T5A04	2342834-4
PC; STAINLESS STEEL	STAINLESS STEEL 304	RGB	LOCKING	AVC19LS04FE0DT5A04	2342834-3
PC; ALUMINUM	ALUMINUM	RED LOCK	LOCKING	AVC19LAIOFE03T5A04	2342834-2
PC; ALUMINUM	ALUMINUM	RGB	LOCKING	AVC19LAIOFE0DT5A04	2342834-1
CAP MATERIAL	BUSHING MATERIAL	LED COLOR	CONTACT CONFIGURATION	TE SMART PART NUMBER	PART NUMBER

THIS DRAWING IS A CONTROLLED DOCUMENT.

DWN 29SEP2018 GANESH C M

CHK 29SEP2018 ALEXANDER SHARPE

APVD 29SEP2018 ALEXANDER SHARPE

PRODUCT SPEC

APPLICATION SPEC

WEIGHT

CUSTOMER DRAWING



NAME SWITCH,AV,CAPACITIVE,19mm,FL BTN, ILLUM RING,LED,LEADED W/ 1x6 REC

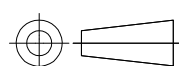
SIZE CAGE CODE DRAWING NO RESTRICTED TO

A3 00779 C-2342834

SCALE NTS SHEET 3 OF 3 REV 3

DIMENSIONS: mm [INCHES]

TOLERANCES UNLESS OTHERWISE SPECIFIED:



- 0 PLC ± -
- 1 PLC ± 0.4[.016]
- 2 PLC ± 0.25[.010]
- 3 PLC ± -
- 4 PLC ± -
- ANGLES ± -
- FINISH

PRELIMINARY