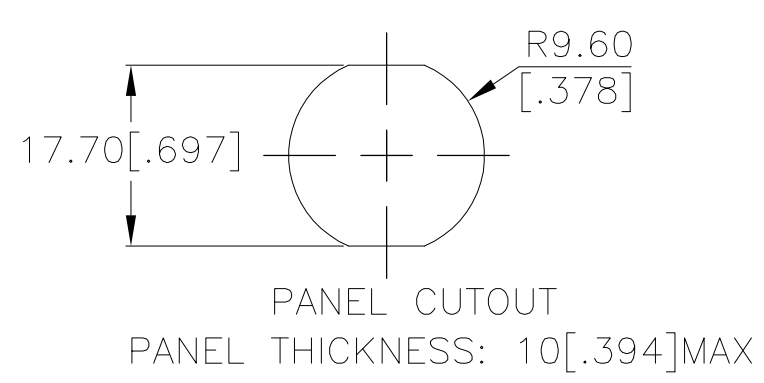
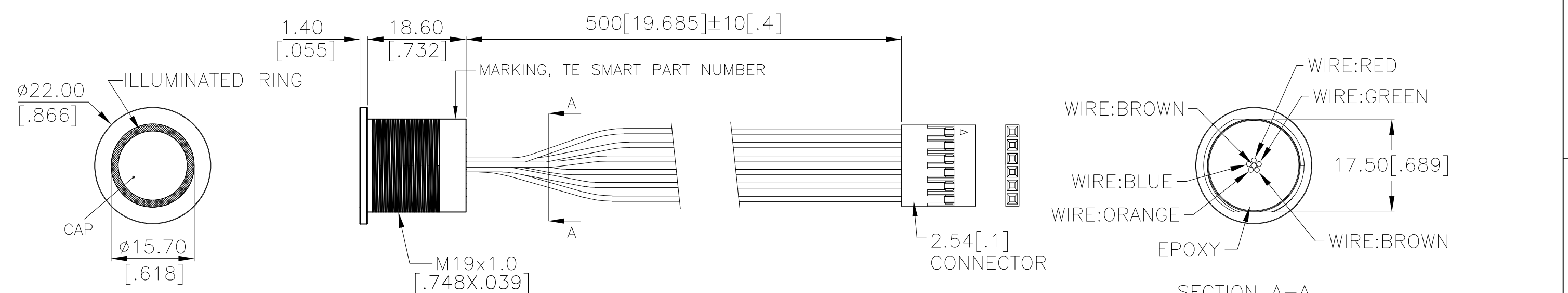
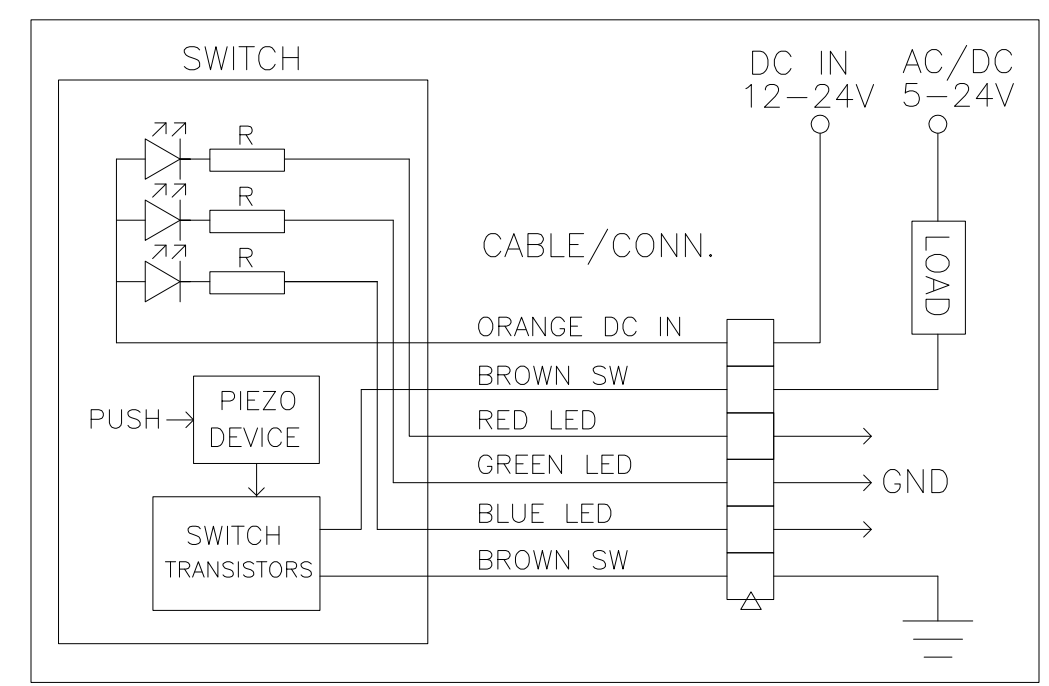
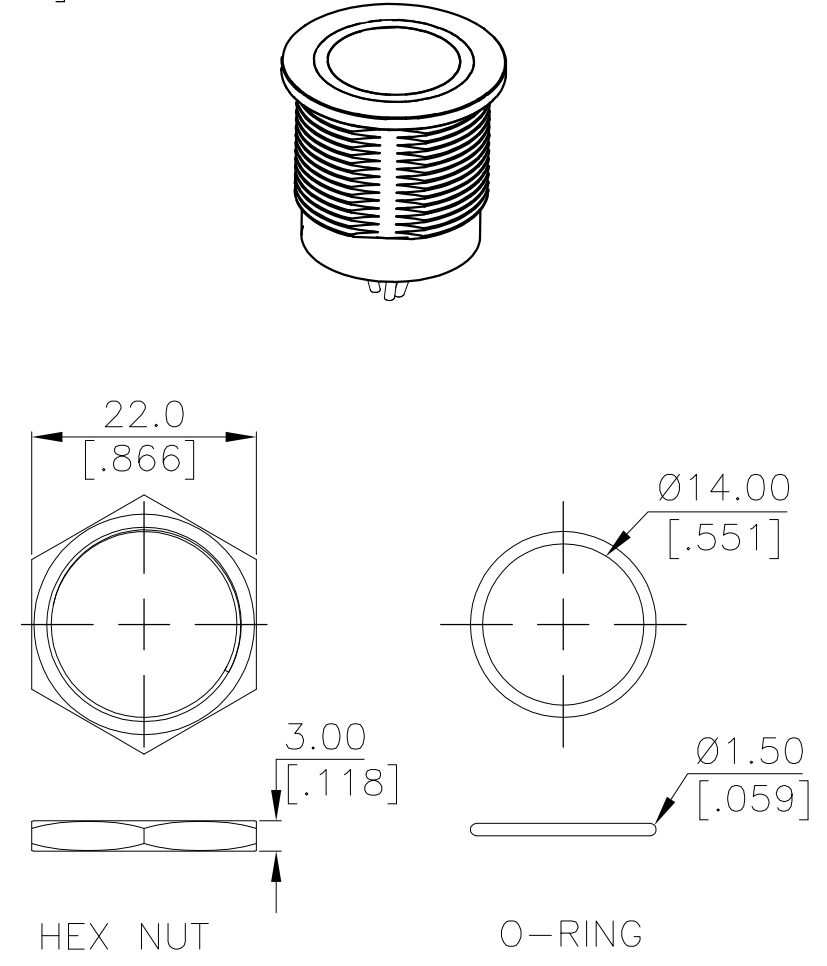


THIS DRAWING IS UNPUBLISHED. RELEASED FOR PUBLICATION  
 © COPYRIGHT - TE Connectivity Ltd. ALL RIGHTS RESERVED.

REVISIONS					
P	LTR	DESCRIPTION	DATE	DWN	APVD
3		DRAWING UPDATED	20DEC2018	RSM	AS



INDICATOR			
SWITCH	LED		
	RED	GREEN	BLUE
OFF	CUSTOMER DEFINED		
ON	CUSTOMER DEFINED		



APPLICATION DIAGRAM

**PRELIMINARY**

THIS DRAWING IS A CONTROLLED DOCUMENT.		DWN GANESH C M 29SEP2018	TE Connectivity Ltd.		
DIMENSIONS: mm [INCHES]		CHK ALEXANDER SHARPE 29SEP2018			
TOLERANCES UNLESS OTHERWISE SPECIFIED:		APVD ALEXANDER SHARPE 29SEP2018	NAME SWITCH,AV,PIEZO,19mm,FL BTN, ILLUM RING,LED,LEADED W/ 1x6 REC		
0 PLC ± - 1 PLC ± 0.4[.016] 2 PLC ± 0.25[.010] 3 PLC ± - 4 PLC ± - ANGLES ± -		PRODUCT SPEC -	SIZE A3	CAGE CODE 00779	DRAWING NO C-2342839
MATERIAL -		FINISH -	WEIGHT	RESTRICTED TO -	
CUSTOMER DRAWING			SCALE NTS	SHEET 1 OF 2	REV 3

THIS DRAWING IS UNPUBLISHED. RELEASED FOR PUBLICATION  
 © COPYRIGHT - TE Connectivity Ltd. ALL RIGHTS RESERVED.

REVISIONS					
P	LTR	DESCRIPTION	DATE	DWN	APVD
-	-	SEE SHEET 1	-	-	-

NOTES:

1. SPECIFICATIONS:

- OPERATING LIFE: 50 MILLION CYCLES MIN.
- ACTUATION FORCE: 2 N - 5 N [0.45 LBF - 1.12 LBF]
- RATING: 5-24 VDC@1A MAX., 5-24 VAC@1A MAX.
- CONTACT RESISTANCE: 1Ω MAX.
- LED: 12-24 VDC
- TYPE: MOMENTARY PULSE, 200mS MIN.
- OUTPUT MODE: TRANSISTOR
- OPERATING TEMPERATURE: -20° TO 65°C [-4° TO 149°F]
- STORAGE TEMPERATURE: -40° TO 85°C [-40° TO 185°F]
- INGRESS PROTECTION: IP68, PANEL SIDE
- MOUNTING TORQUE: 2.5Nm MAXIMUM

2. MATERIAL:

- SEALING: SILICONE, EPOXY
- O-RING: SILICONE
- HEX NUT: NICKEL PLATED BRASS
- WIRE: UL3385, UL10368 OR EQUIVALENT
- BUSHING: SEE TABLE
- CAP: SEE TABLE

3. PACKAGING:


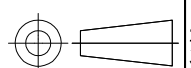
SWITCH ASSEMBLIES ARE INDIVIDUALLY BUNDLED WITH ESD PROTECTION.  
 HARDWARE IS NOT ASSEMBLED TO THE SWITCH.

4. COMPLIANCE:

THE CURRENT STATEMENT OF COMPLIANCE IS AVAILABLE AT TE.COM.

5. HARDWARE IS SHIPPED UNASSEMBLED.

PC; STAINLESS STEEL	STAINLESS STEEL 316	RGB	MOMENTARY	AVP19MS16FE0DT5A04	2342839-4
PC; STAINLESS STEEL	STAINLESS STEEL 304	RGB	MOMENTARY	AVP19MS04FE0DT5A04	2342839-3
PC; ALUMINUM, BLACK ANODIZED	ALUMINUM, BLACK ANODIZED	RGB	MOMENTARY	AVP19MAIBFE0DT5A04	2342839-2
PC; ALUMINUM	ALUMINUM	RGB	MOMENTARY	AVP19MAIOFE0DT5A04	2342839-1
CAP MATERIAL	BUSHING MATERIAL	LED COLOR	CONTACT CONFIGURATION	TE SMART PART NUMBER	PART NUMBER

THIS DRAWING IS A CONTROLLED DOCUMENT.		DWN GANESH C M 29SEP2018	 TE Connectivity Ltd.		
DIMENSIONS: mm [INCHES]		CHK ALEXANDER SHARPE 29SEP2018			
		APVD ALEXANDER SHARPE 29SEP2018	NAME SWITCH,AV,PIEZO,19mm,FL BTN, ILLUM RING,LED,LEADED W/ 1x6 REC		
TOLERANCES UNLESS OTHERWISE SPECIFIED:		PRODUCT SPEC	APPLICATION SPEC		
0 PLC ± - 1 PLC ± 0.4[.016] 2 PLC ± 0.25[.010] 3 PLC ± - 4 PLC ± - ANGLES ± -		WEIGHT	SIZE A3	CAGE CODE 00779	DRAWING NO C-2342839
MATERIAL -		FINISH -	RESTRICTED TO -		
<div style="border: 2px solid black; padding: 5px; font-size: 24px; font-weight: bold; display: inline-block;">PRELIMINARY</div>		CUSTOMER DRAWING			SCALE NTS
		SHEET 2 OF 2			REV 3