

THIS DRAWING IS UNPUBLISHED.

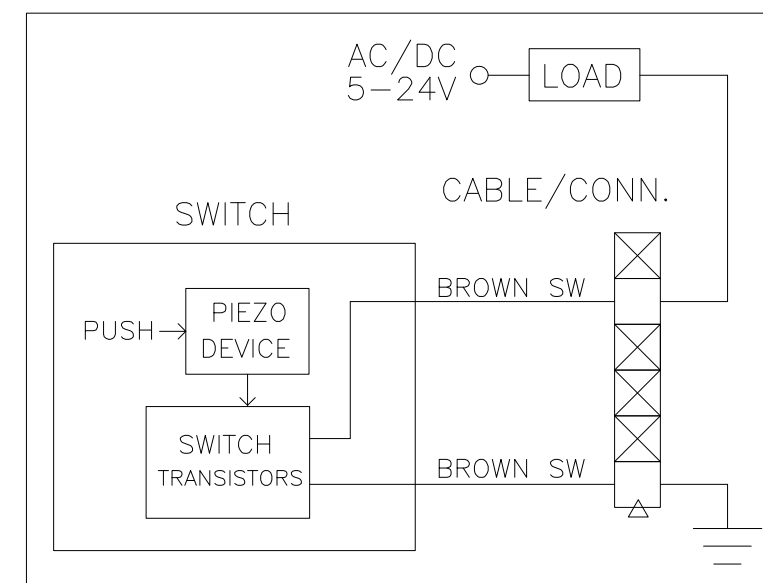
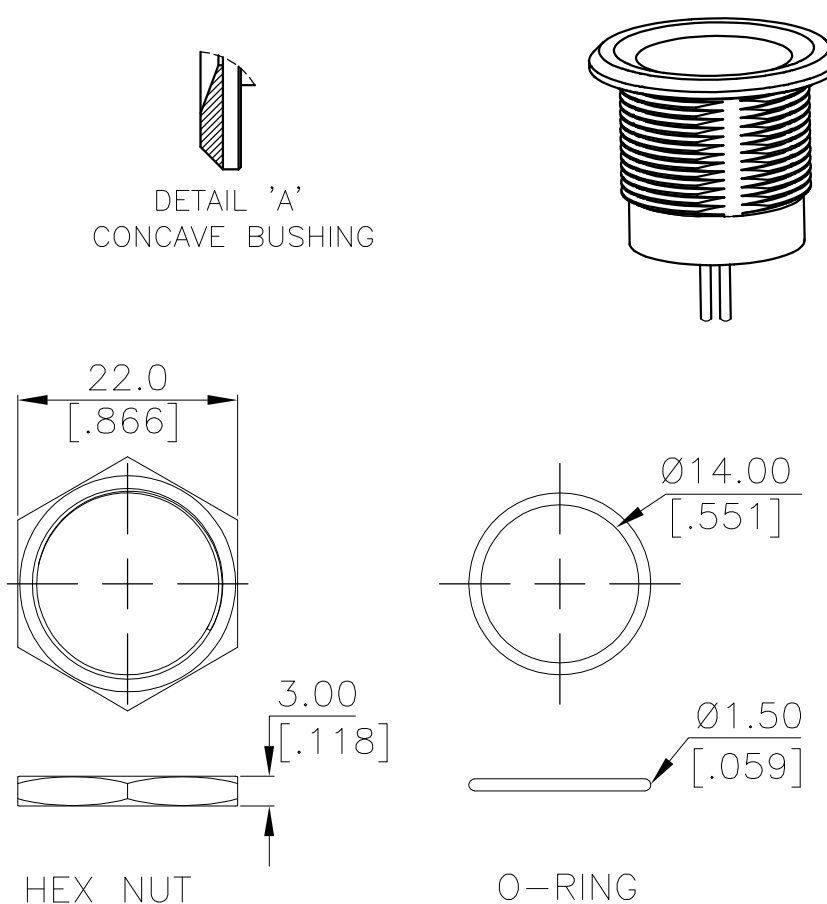
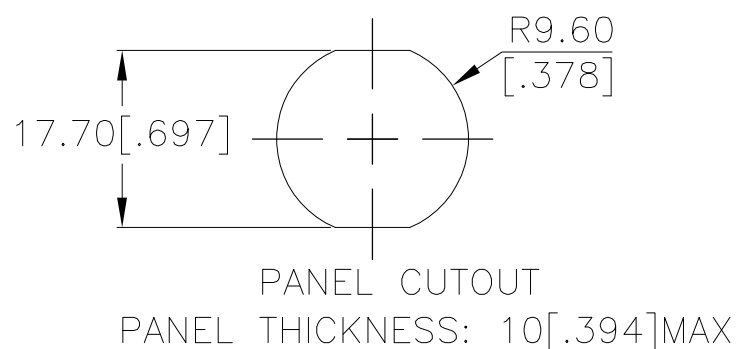
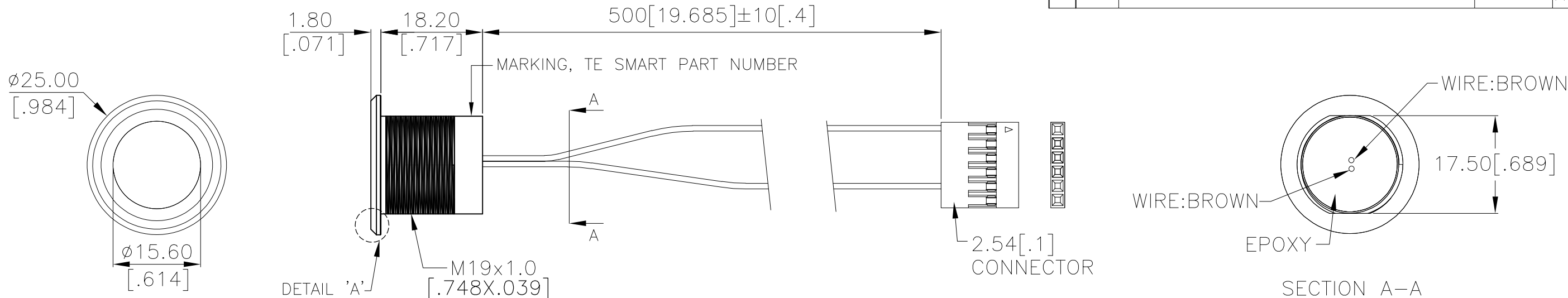
RELEASED FOR PUBLICATION

ALL RIGHTS RESERVED.

© COPYRIGHT - TE Connectivity Ltd.

REVISIONS

P	LTR	DESCRIPTION	DATE	DWN	APVD
3		DRAWING UPDATED	20DEC2018	RSM	AS



APPLICATION DIAGRAM

**PRELIMINARY**

THIS DRAWING IS A CONTROLLED DOCUMENT.		DWN GANESH C M 29SEP2018	TE Connectivity Ltd.															
DIMENSIONS: mm [INCHES]		CHK ALEXANDER SHARPE 29SEP2018																
TOLERANCES UNLESS OTHERWISE SPECIFIED:		APVD ALEXANDER SHARPE 29SEP2018	NAME SWITCH,AV,PIEZO,19mm,CONCAVE BTN, NO LED,LEADED W/ 1x6 REC															
<table border="0"> <tr> <td>0 PLC</td> <td>± -</td> </tr> <tr> <td>1 PLC</td> <td>± 0.4[.016]</td> </tr> <tr> <td>2 PLC</td> <td>± 0.25[.010]</td> </tr> <tr> <td>3 PLC</td> <td>± -</td> </tr> <tr> <td>4 PLC</td> <td>± -</td> </tr> <tr> <td>ANGLES</td> <td>± -</td> </tr> </table>		0 PLC	± -	1 PLC	± 0.4[.016]	2 PLC	± 0.25[.010]	3 PLC	± -	4 PLC	± -	ANGLES	± -	PRODUCT SPEC -	SIZE A3	CAGE CODE 00779	DRAWING NO C=2342841	RESTRICTED TO -
0 PLC	± -																	
1 PLC	± 0.4[.016]																	
2 PLC	± 0.25[.010]																	
3 PLC	± -																	
4 PLC	± -																	
ANGLES	± -																	
MATERIAL -		FINISH -	WEIGHT -		CUSTOMER DRAWING													
		SCALE NTS		SHEET 1 OF 2		REV 3												

THIS DRAWING IS UNPUBLISHED.

RELEASED FOR PUBLICATION

REVISIONS

© NOTES: TE Connectivity Ltd.

ALL RIGHTS RESERVED.

P	LTR	DESCRIPTION	DATE	DWN	APVD
	-	SEE SHEET 1	-	-	-

NOTES:

1. SPECIFICATIONS:

- 1. OPERATING LIFE: 50 MILLION CYCLES MIN.
- 2. ACTUATION FORCE: 2 N – 5 N [0.45 LBF – 1.12 LBF]
- 3. RATING: 5–24 VDC@1A MAX., 5–24 VAC@1A MAX.
- 4. CONTACT RESISTANCE: 1Ω MAX.
- 5. TYPE: MOMENTARY PULSE, 200ms MIN.
- 6. OUTPUT MODE: TRANSISTOR
- 7. OPERATING TEMPERATURE: –20° TO 65°C [–4° TO 149°F]
- 8. STORAGE TEMPERATURE: –40° TO 85°C [–40° TO 185°F]
- 9. INGRESS PROTECTION: IP68, PANEL SIDE
- 10. MOUNTING TORQUE: 2.5Nm MAXIMUM

2. MATERIAL:

- 1. SEALING: SILICONE, EPOXY
- 2. O-RING: SILICONE
- 3. HEX NUT: NICKEL PLATED BRASS
- 4. WIRE: UL3385, UL10368 OR EQUIVALENT
- 5. BUSHING: SEE TABLE

3. PACKAGING:


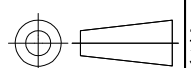
SWITCH ASSEMBLIES ARE INDIVIDUALLY BUNDLED WITH ESD PROTECTION. HARDWARE IS NOT ASSEMBLED TO THE SWITCH.

4. COMPLIANCE:

THE CURRENT STATEMENT OF COMPLIANCE IS AVAILABLE AT TE.COM.

5. HARDWARE IS SHIPPED UNASSEMBLED.

STAINLESS STEEL 316	NO LED	MOMENTARY	AVP19MS16C000T5A04	2342841–4
STAINLESS STEEL 304	NO LED	MOMENTARY	AVP19MS04C000T5A04	2342841–3
ALUMINUM, BLACK ANODIZED	NO LED	MOMENTARY	AVP19MAIBC000T5A04	2342841–2
ALUMINUM	NO LED	MOMENTARY	AVP19MAIOC000T5A04	2342841–1
BUSHING MATERIAL	LED COLOR	CONTACT CONFIGURATION	TE SMART PART NUMBER	PART NUMBER

THIS DRAWING IS A CONTROLLED DOCUMENT.		DWN GANESH C M 29SEP2018	 TE Connectivity Ltd.		
DIMENSIONS: mm [INCHES]		CHK ALEXANDER SHARPE 29SEP2018			
		APVD ALEXANDER SHARPE 29SEP2018	PRODUCT SPEC —		
TOLERANCES UNLESS OTHERWISE SPECIFIED:		APPLICATION SPEC —	RESTRICTED TO —		
0 PLC ± - 1 PLC ± 0.4[.016] 2 PLC ± 0.25[.010] 3 PLC ± - 4 PLC ± - ANGLES ± -		WEIGHT —	SIZE A3	CAGE CODE 00779	DRAWING NO C-2342841
MATERIAL -		FINISH -	CUSTOMER DRAWING		
		SCALE NTS	SHEET 2 OF 2	REV 3	

**PRELIMINARY**