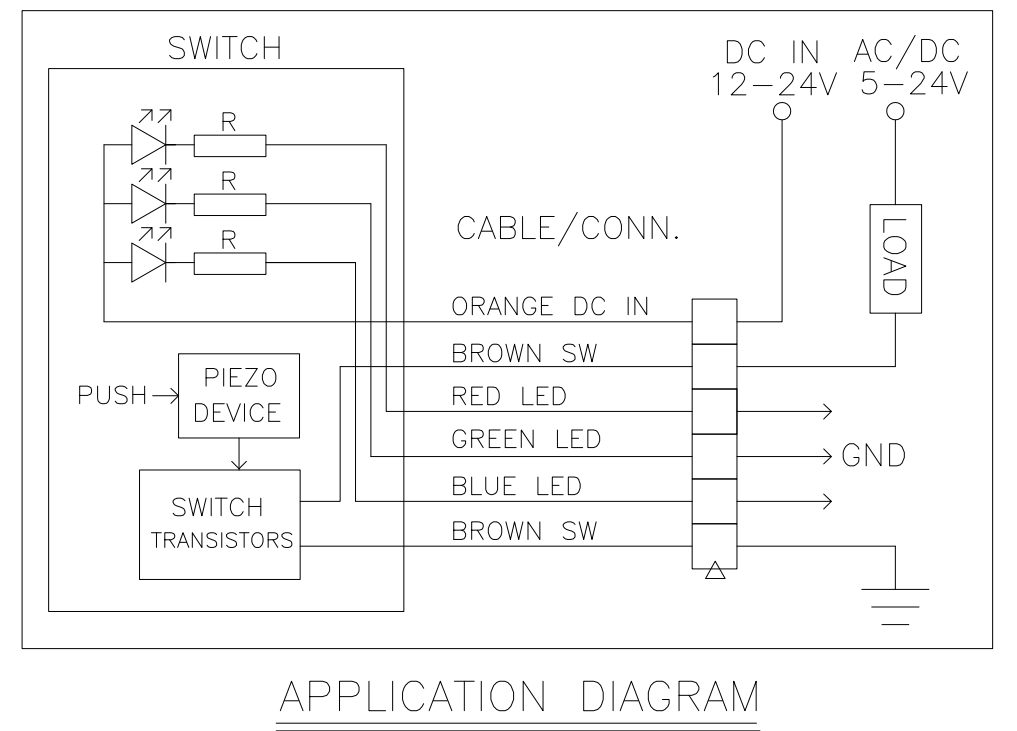
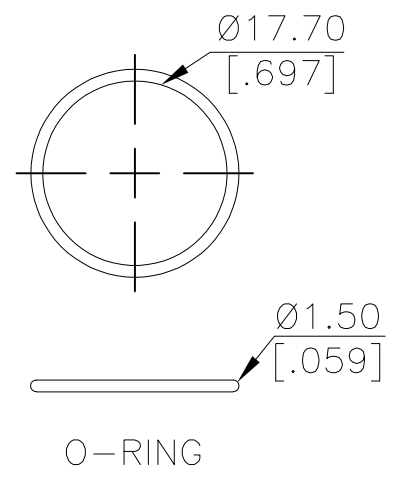
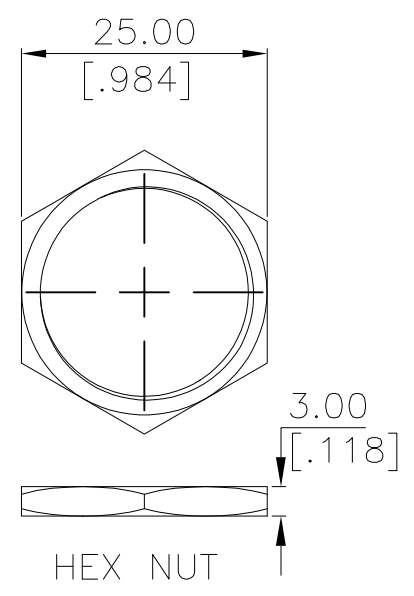
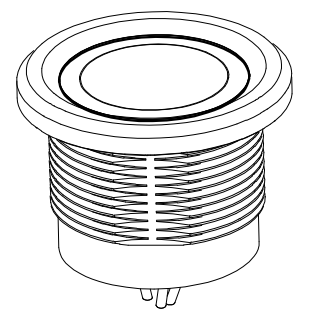
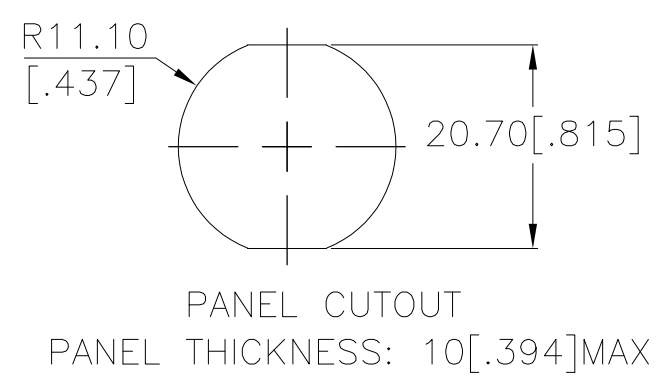
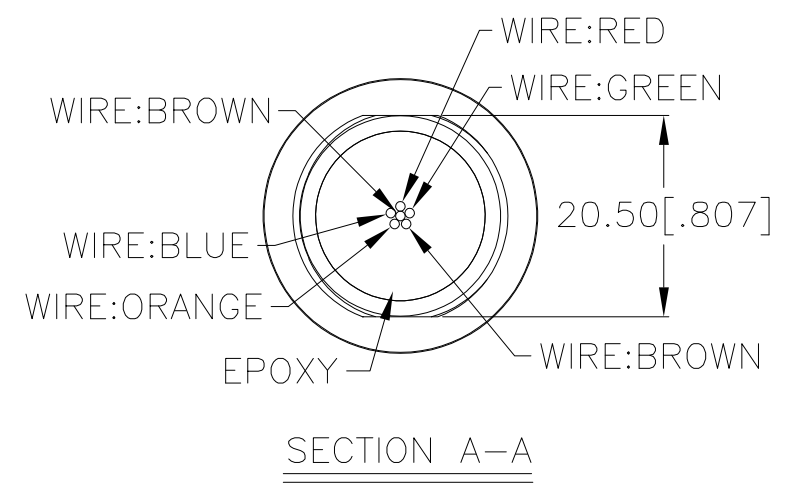
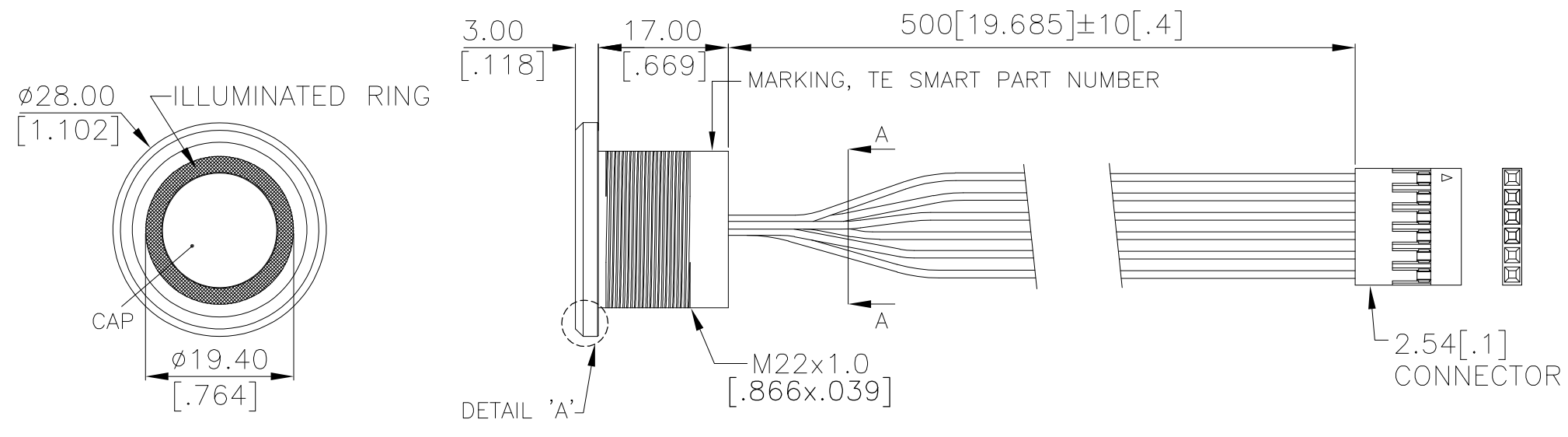


THIS DRAWING IS UNPUBLISHED. RELEASED FOR PUBLICATION
 © COPYRIGHT - TE Connectivity Ltd. ALL RIGHTS RESERVED.

P	LTR	DESCRIPTION	DATE	DWN	APVD
	3	DRAWING UPDATED	20DEC2018	RSM	AS



INDICATOR			
SWITCH	LED		
	RED	GREEN	BLUE
OFF	CUSTOMER DEFINED		
ON	CUSTOMER DEFINED		

PRELIMINARY

THIS DRAWING IS A CONTROLLED DOCUMENT.		DWN GANESH C M 29SEP2018		TE Connectivity Ltd.	
DIMENSIONS: mm [INCHES]		TOLERANCES UNLESS OTHERWISE SPECIFIED:			
0 PLC ± - 1 PLC ± 0.4 [.016] 2 PLC ± 0.25 [.010] 3 PLC ± - 4 PLC ± - ANGLES ± -		MATERIAL - FINISH -		SWITCH,AV,PIEZO,22mm,CONCAVE BTN, ILLUM RING,LED,LEADED W/ 1x6 REC	
APPLICATION SPEC - WEIGHT -		PRODUCT SPEC - CUSTOMER DRAWING		SIZE A3	CAGE CODE 00779
				DRAWING NO C-2342843	RESTRICTED TO -
				SCALE NTS	SHEET 1 OF 2
					REV 3

THIS DRAWING IS UNPUBLISHED. RELEASED FOR PUBLICATION
 © COPYRIGHT - TE Connectivity Ltd. ALL RIGHTS RESERVED.

REVISIONS					
P	LTR	DESCRIPTION	DATE	DWN	APVD
-	-	SEE SHEET 1	-	-	-

NOTES:

1. SPECIFICATIONS:

- OPERATING LIFE: 50 MILLION CYCLES MIN.
- ACTUATION FORCE: 2 N - 5 N [0.45 LBF - 1.12 LBF]
- RATING: 5-24 VDC@1A MAX., 5-24 VAC@1A MAX.
- CONTACT RESISTANCE: 1Ω MAX.
- LED: 12-24 VDC
- TYPE: MOMENTARY PULSE, 200ms MIN.
- OUTPUT MODE: TRANSISTOR
- OPERATING TEMPERATURE: -20° TO 65°C [-4° TO 149°F]
- STORAGE TEMPERATURE: -40° TO 85°C [-40° TO 185°F]
- INGRESS PROTECTION: IP68, PANEL SIDE
- MOUNTING TORQUE: 2.5Nm MAXIMUM

2. MATERIAL:

- SEALING: SILICONE, EPOXY
- O-RING: SILICONE
- HEX NUT: NICKEL PLATED BRASS
- WIRE: UL3385, UL10368 OR EQUIVALENT
- BUSHING: SEE TABLE
- CAP: SEE TABLE

3. PACKAGING:


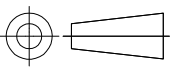
SWITCH ASSEMBLIES ARE INDIVIDUALLY BUNDLED WITH ESD PROTECTION.
 HARDWARE IS NOT ASSEMBLED TO THE SWITCH.

4. COMPLIANCE:

THE CURRENT STATEMENT OF COMPLIANCE IS AVAILABLE AT TE.COM.

5. HARDWARE IS SHIPPED UNASSEMBLED.

PC; STAINLESS STEEL	STAINLESS STEEL 316	RGB	MOMENTARY	AVP22MS16CE0DT5A04	2342843-4
PC; STAINLESS STEEL	STAINLESS STEEL 304	RGB	MOMENTARY	AVP22MS04CE0DT5A04	2342843-3
PC; ALUMINUM, BLACK ANODIZED	ALUMINUM, BLACK ANODIZED	RGB	MOMENTARY	AVP22MAIBCE0DT5A04	2342843-2
PC; ALUMINUM	ALUMINUM	RGB	MOMENTARY	AVP22MAIOCE0DT5A04	2342843-1
CAP MATERIAL	BUSHING MATERIAL	LED COLOR	CONTACT CONFIGURATION	TE SMART PART NUMBER	PART NUMBER

THIS DRAWING IS A CONTROLLED DOCUMENT.		DWN GANESH C M 29SEP2018	 TE Connectivity Ltd.		
DIMENSIONS: mm [INCHES]		CHK ALEXANDER SHARPE 29SEP2018			
		APVD ALEXANDER SHARPE 29SEP2018	NAME SWITCH,AV,PIEZO,22mm,CONCAVE BTN, ILLUM RING,LED,LEADED W/ 1x6 REC		
TOLERANCES UNLESS OTHERWISE SPECIFIED:		PRODUCT SPEC	APPLICATION SPEC		
0 PLC ± - 1 PLC ± 0.4[.016] 2 PLC ± 0.25[.010] 3 PLC ± - 4 PLC ± - ANGLES ± -		APVD	SIZE	CAGE CODE	DRAWING NO
MATERIAL		FINISH	WEIGHT	A3	00779
PRELIMINARY		CUSTOMER DRAWING		C=	2342843
		SCALE		NTS	SHEET 2 OF 2
		RESTRICTED TO		-	REV 3