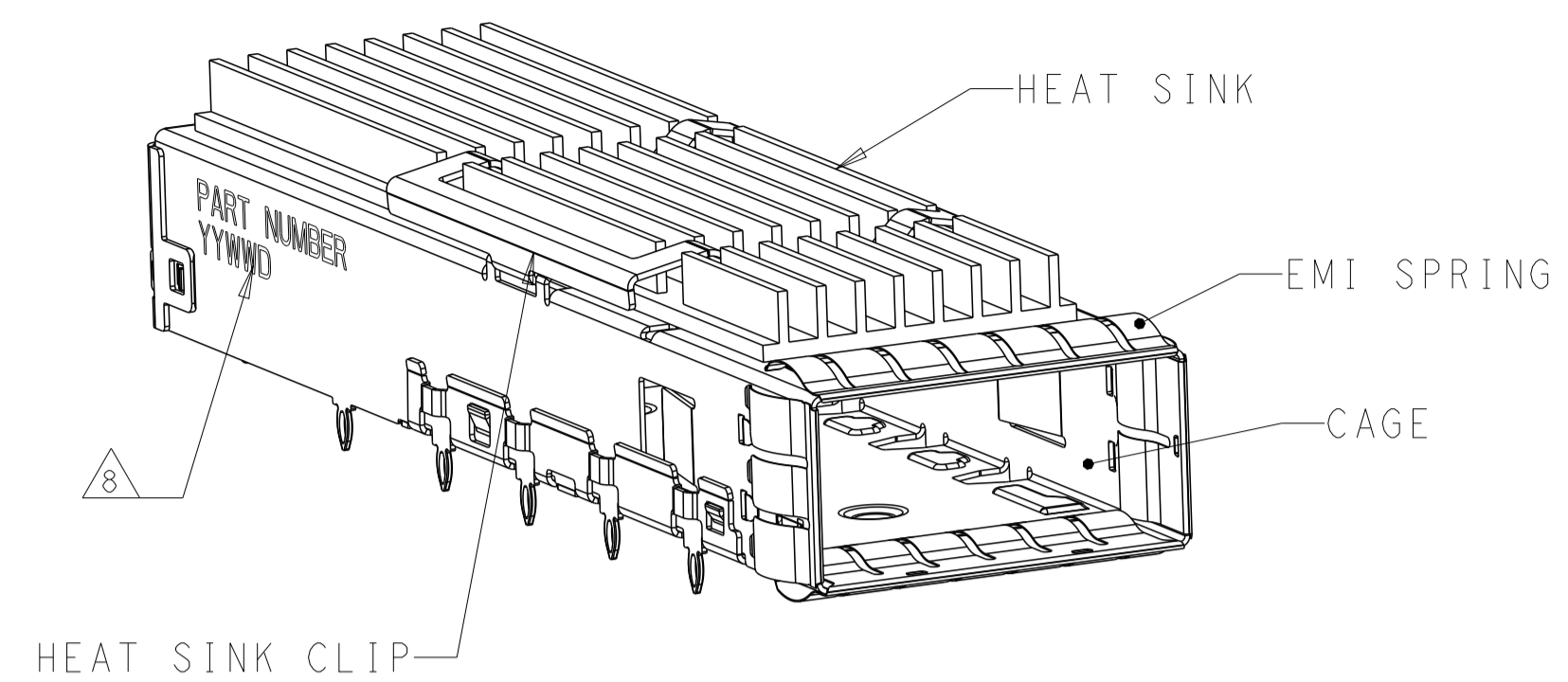
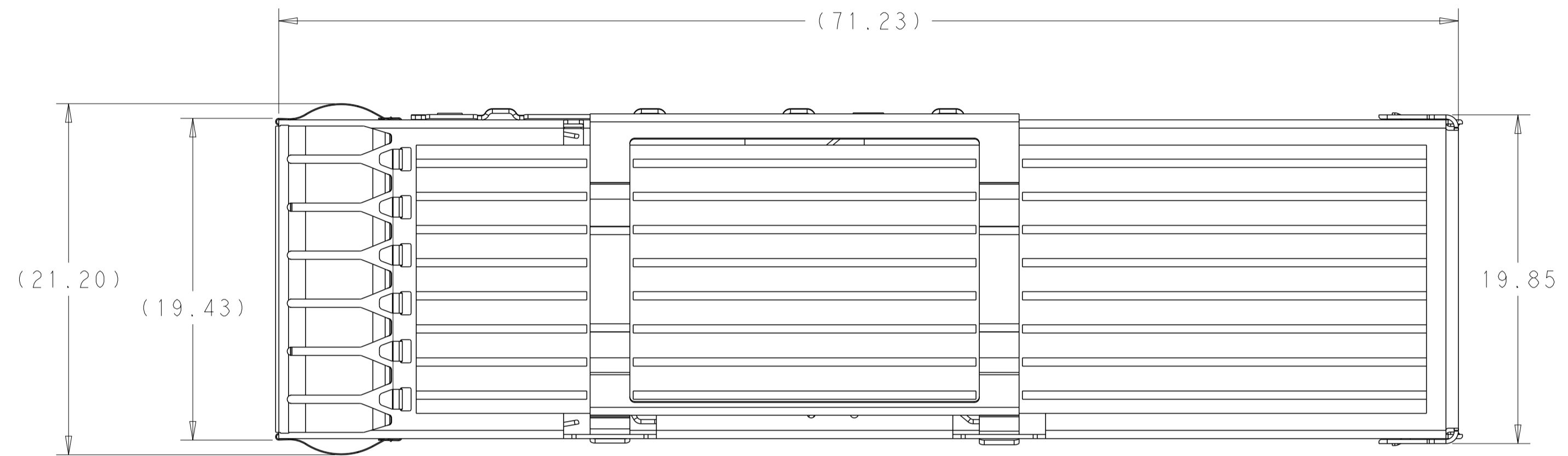


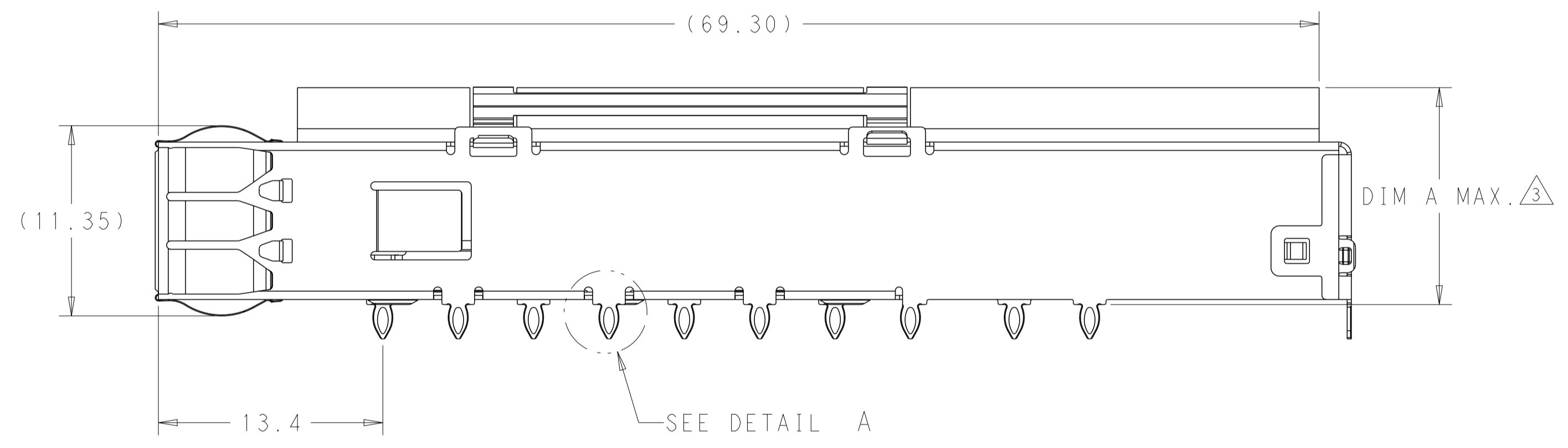
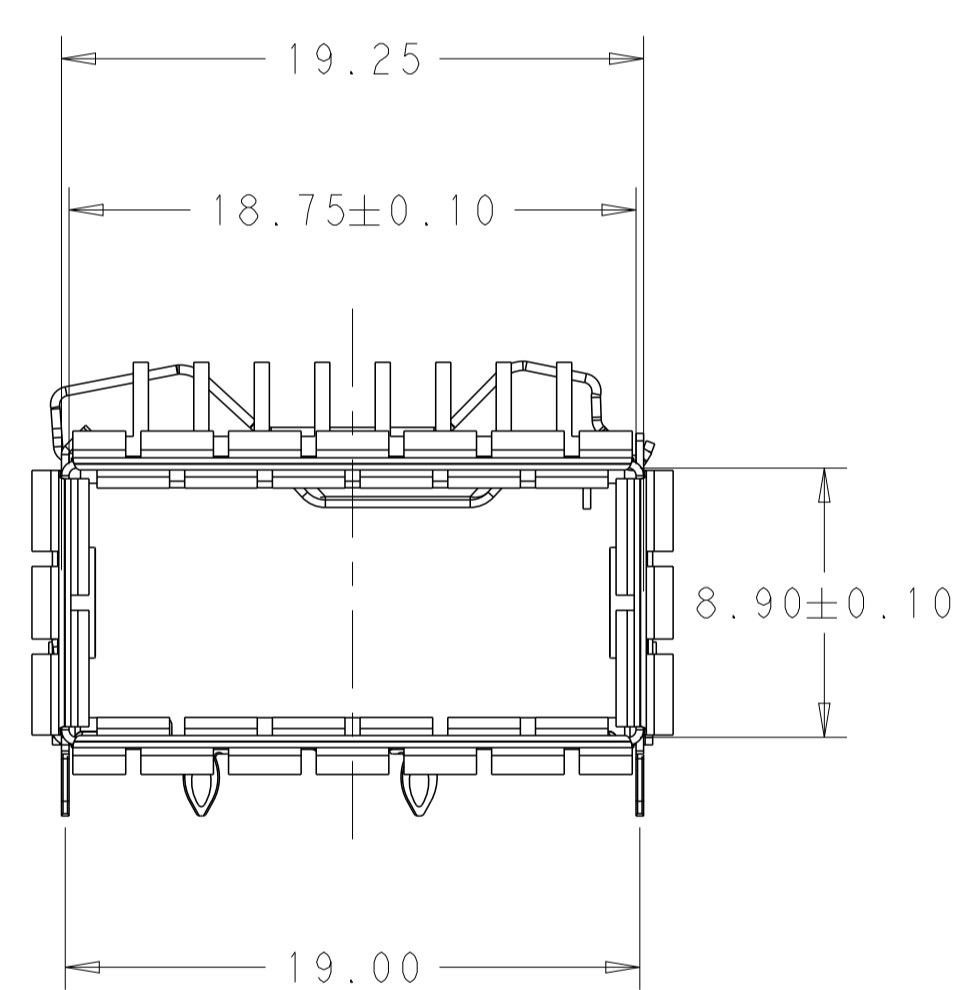
LOC	DIST	REVISIONS					
		P	LTN	DESCRIPTION	DATE	DWN	APVD
		A		INITIAL RELEASE	13JUN2019	AJ	SH
		B		ADDED DASH 1-1/1-2/1-3/UPDATED 5-1 /4-1	08DEC2021	SH	SZ
		B1		ADD DASH 6-1/7-1/7-2	21JUL2022	JY	SZ
		B2		REVISED PER ECN-24-281154	22AUG2024	TR	KS



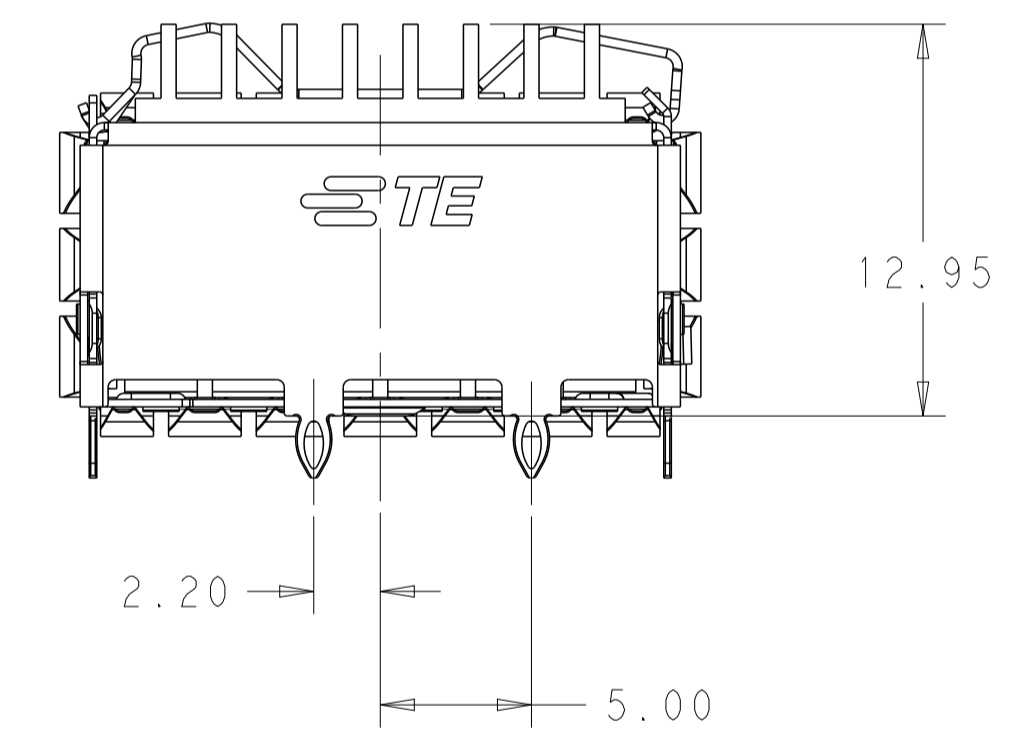
2342933-1 AS SHOWN
SCALE 3:1



- MATERIAL:
 CAGE MATERIAL : 0.25 THICK STAINLESS STEEL.
 SPRING MATERIAL: COPPER ALLOY
 CLIP MATERIAL: STAINLESS STEEL
 HEAT SINK: ALUMINUM
- FINISH:
 SPRING: NICKEL PLATING
 HEAT SINK: BLACK ANODIZATION
- DIMENSION APPLIES WITH MODULE INSTALLED IN THE CAGE TO TOP OF HEAT SINK.
- REFERENCE APPLICATION SPEC 114-60025 FOR RECOMMENDED DRILL HOLE DIAMETER AND PLATING THICKNESS.
- DATUM AND BASIC DIMENSIONS ESTABLISHED BY CUSTOMERS.
- MINIMUM PC BOARD THICKNESS : SINGLES SIDED: 1.57 MIN
 DOUBLE SIDED: 3.00 MIN
- DATUM **-A-** IS TOP SURFACE OF THE HOST BOARD.
- DATE CODE (YYWWD) MARKED APPROXIMATELY AS SHOWN
- MATES WITH QSFP DD MSA COMPATIBLE TRANSCEIVER.

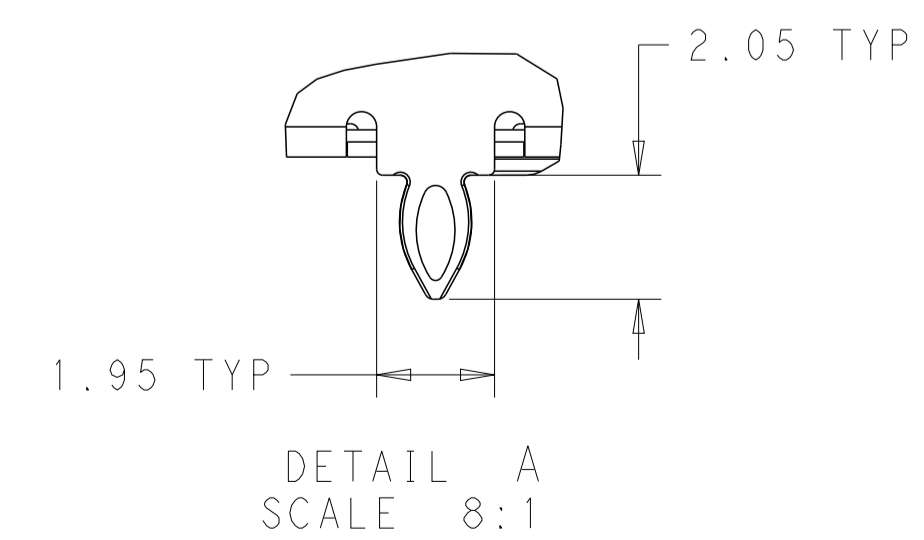


2342933-1 AS SHOWN
SCALE 4:1



ONLY FOR 112G

SEE SHEET 3	1	CUSTOMIZED	7-2342933-2
SEE SHEET 3	1	CUSTOMIZED	7-2342933-1
13.70	1	PCI	6-2342933-1
23.00	2	NETWORKING	5-2342933-4
13.70	1	PCI(LAYOUT SEE SHEET6/7/8)	5-2342933-1
13.70	2	SQUARE FIN	4-2342933-1
23.00	0	NETWORKING	1-2342933-3
16.00	0	SAN	1-2342933-2
13.70	0	PCI	1-2342933-1
23.00	2	NETWORKING	2342933-3
16.00	2	SAN	2342933-2
13.70	2	PCI	2342933-1
DIM A	# REAR PINS	APPLICATION (HEAT SINK OPTION)	PART NUMBER



DETAIL A
SCALE 8:1

THIS DRAWING IS A CONTROLLED DOCUMENT. DWG: ARTHUR_JIN 26AUG2024
 CHK: SEAN HAN 22AUG2024
 APVD: SEAN HAN 29AUG2024

STE TE Connectivity

NAME: CAGE ASSEMBLY, QSFP-DD, 1X1, SPRING STANDARD W. EXTRUDED HEAT SINK

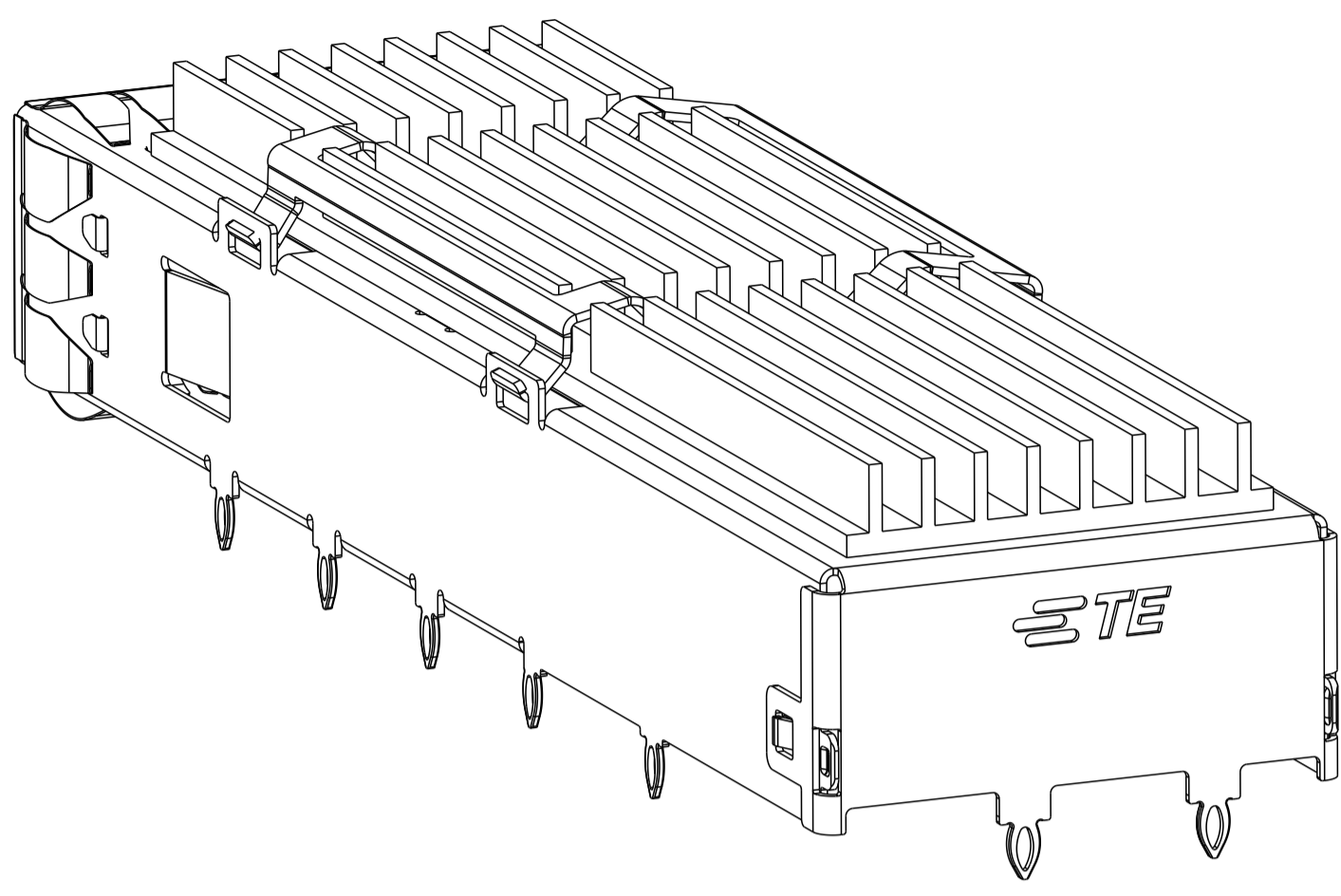
PRODUCT SPEC: 108-60122
 APPLICATION SPEC: 114-60025

SIZE: A1 CAGE CODE: 00779 DRAWING NO: 2342933
 WEIGHT: -

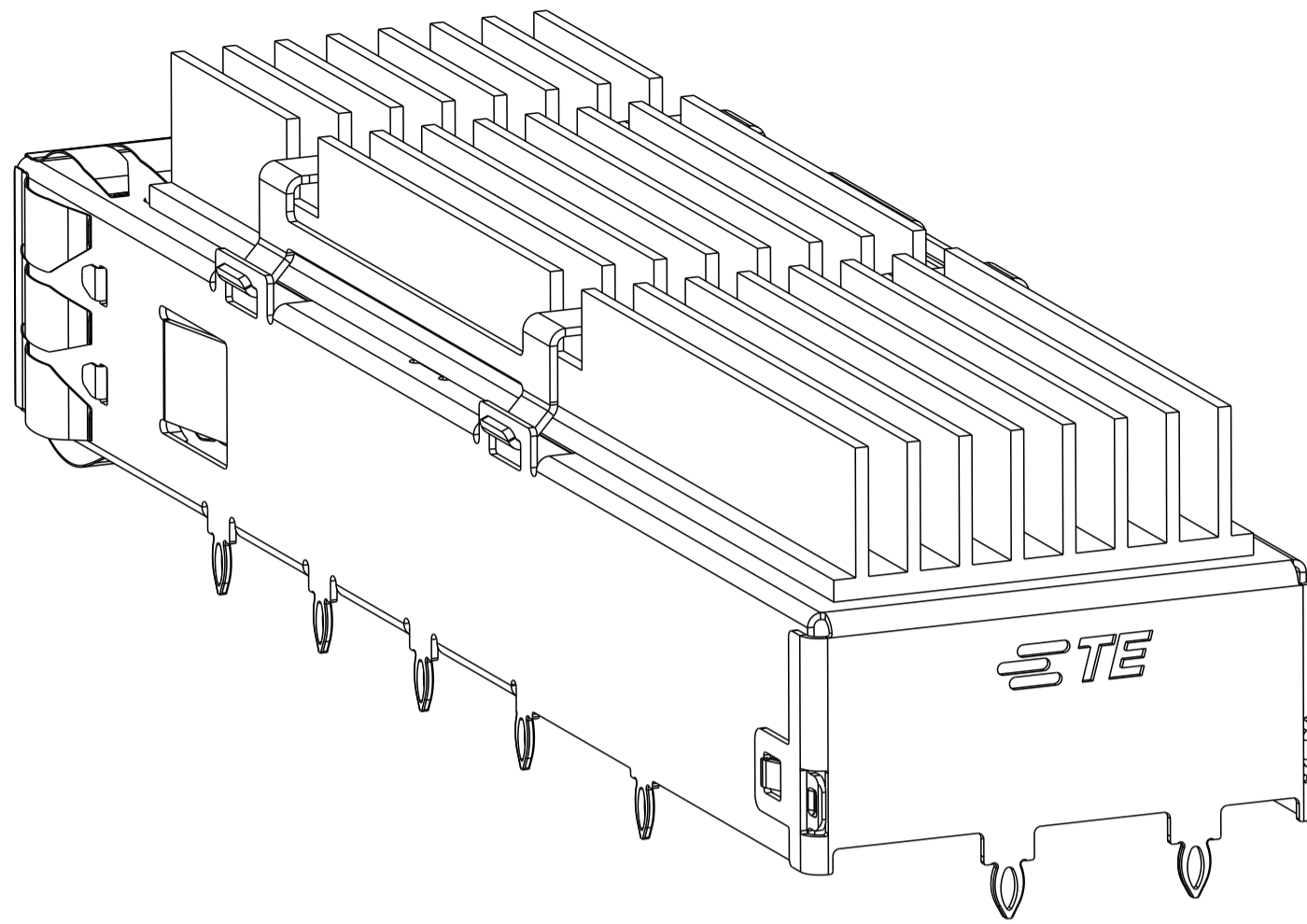
MATERIAL: TBD FINISH: -

CUSTOMER DRAWING: RESTRICTED CUSTOMER SCALE: 2:1 SHEET 1 OF 12 REV B2

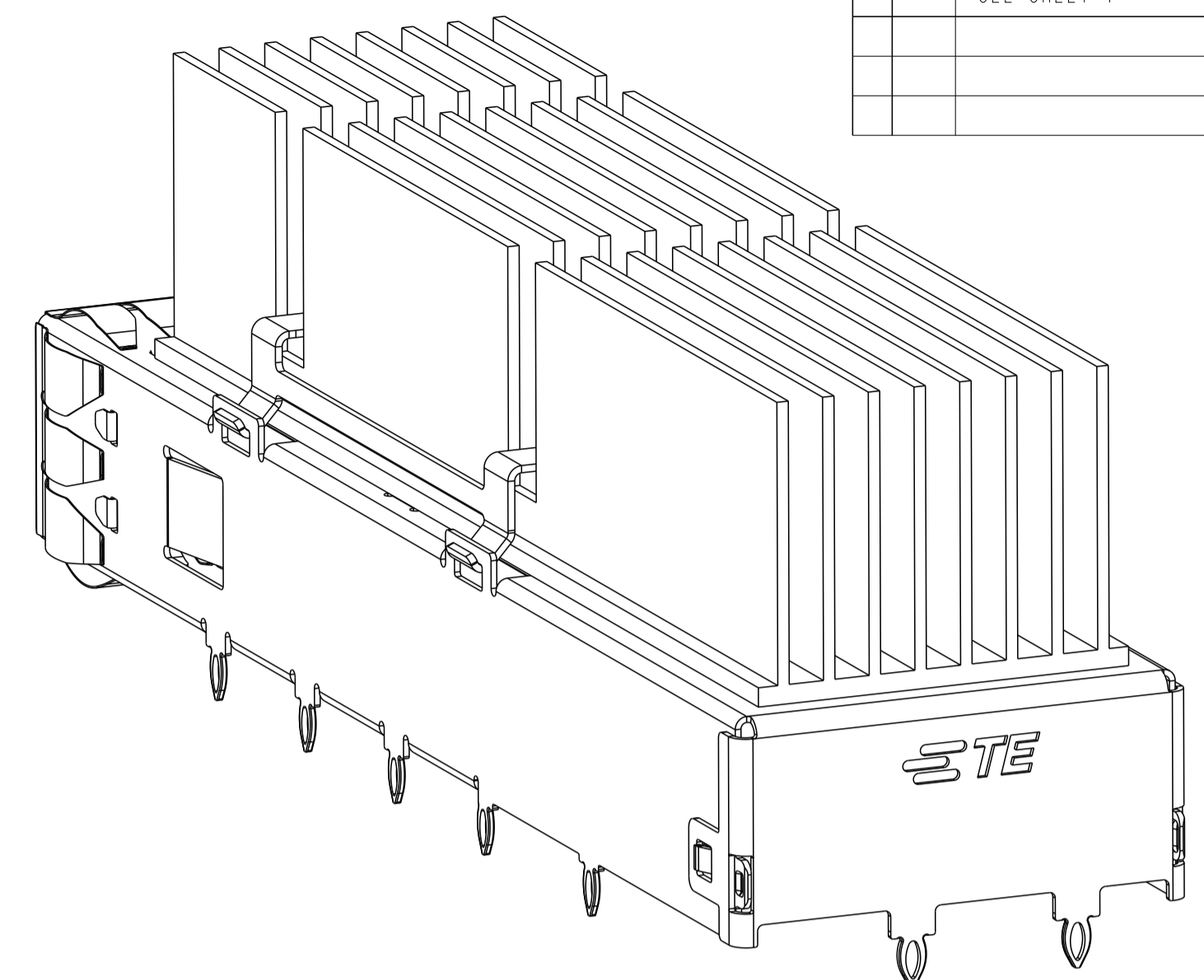
LOC		DIST		REVISIONS				
P	LTN	DATE	OWN	APVD	DESCRIPTION	DATE	OWN	APVD
-	-	-	-	-	SEE SHEET 1	-	-	-



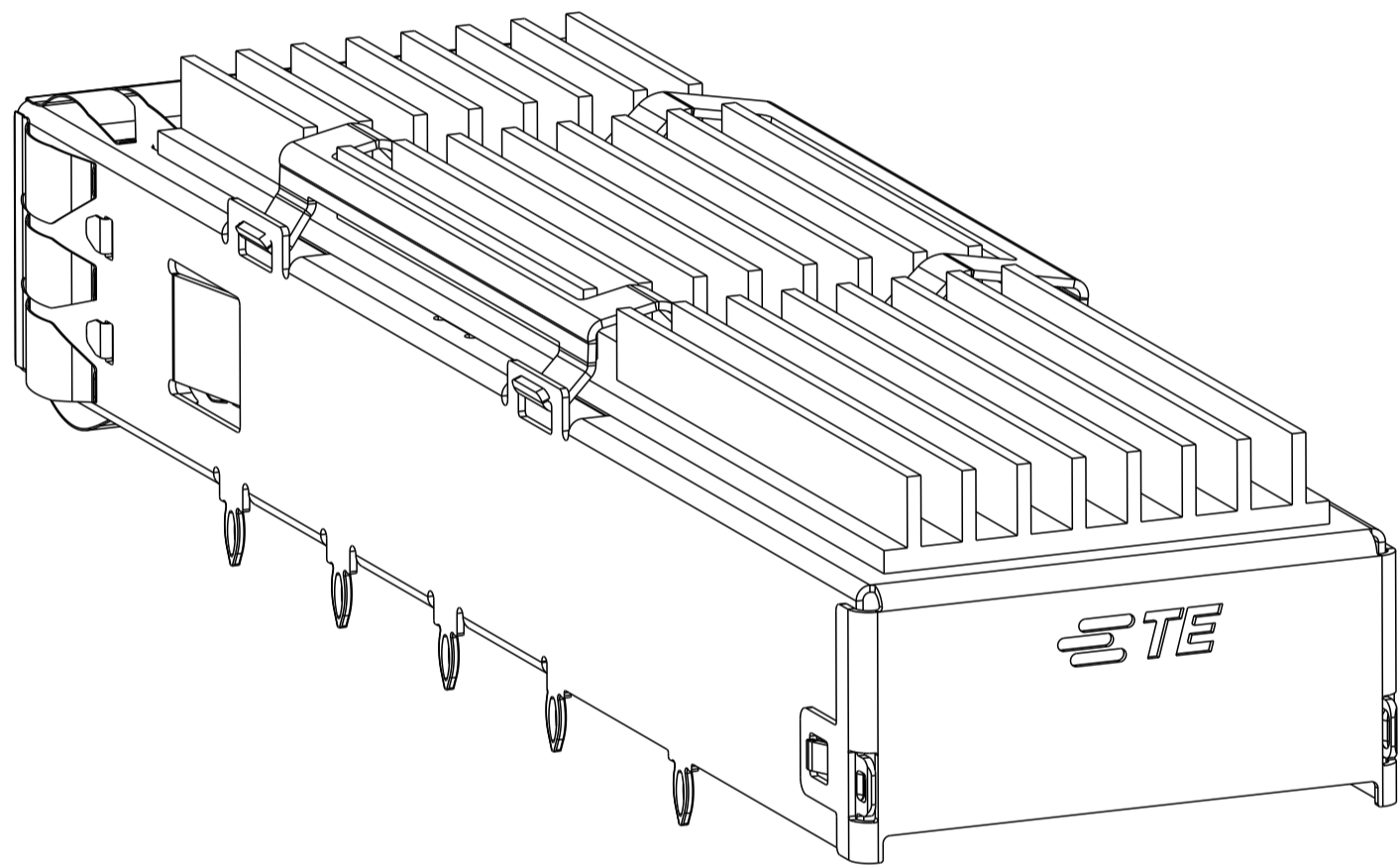
2342933-1 AS SHOWN
WITH PCI HEAT SINK
SCALE 4:1



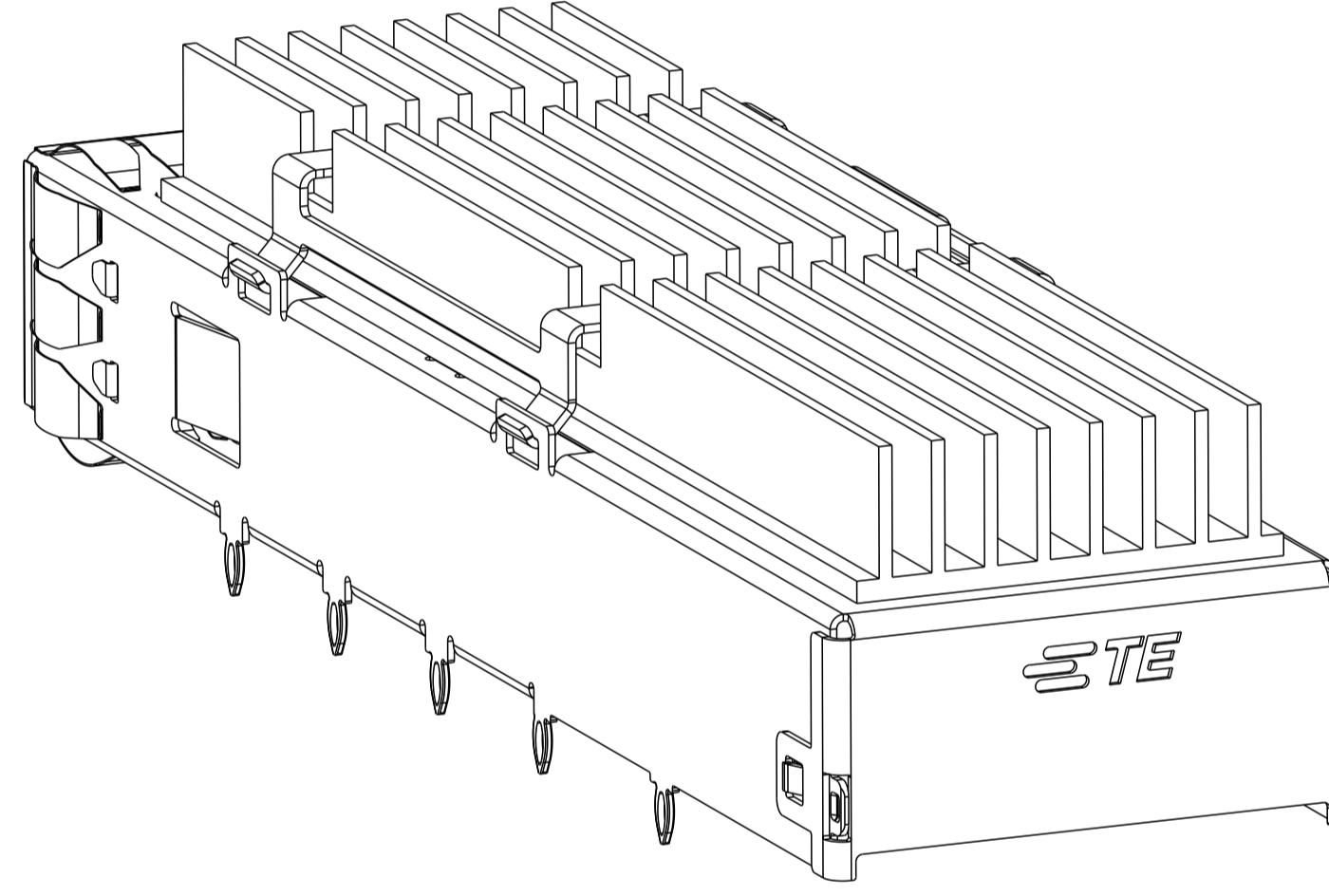
2342933-2 AS SHOWN
WITH SAN HEAT SINK
SCALE 4:1



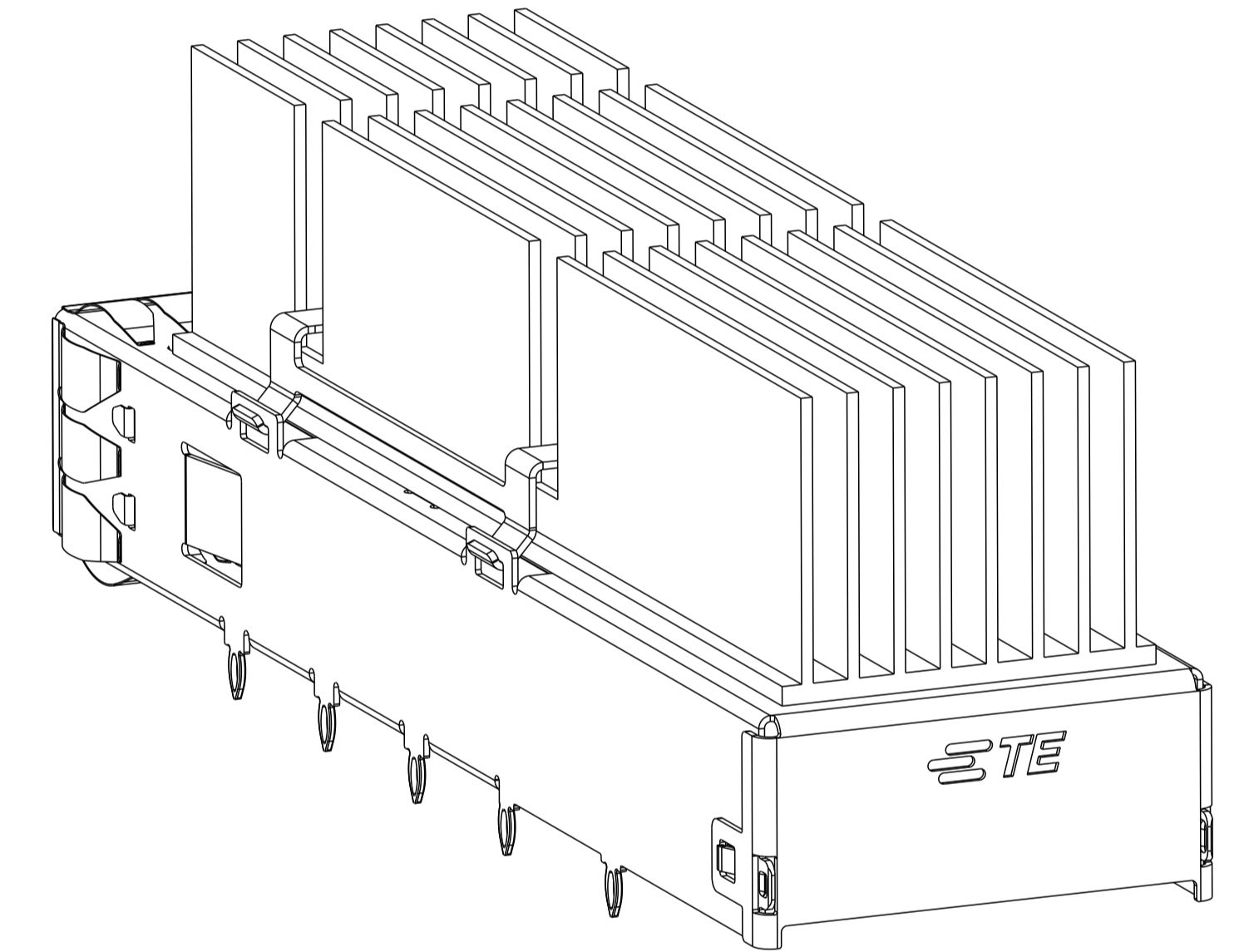
2342933-3 AS SHOWN
WITH NETWORKING HEAT SINK
SCALE 4:1



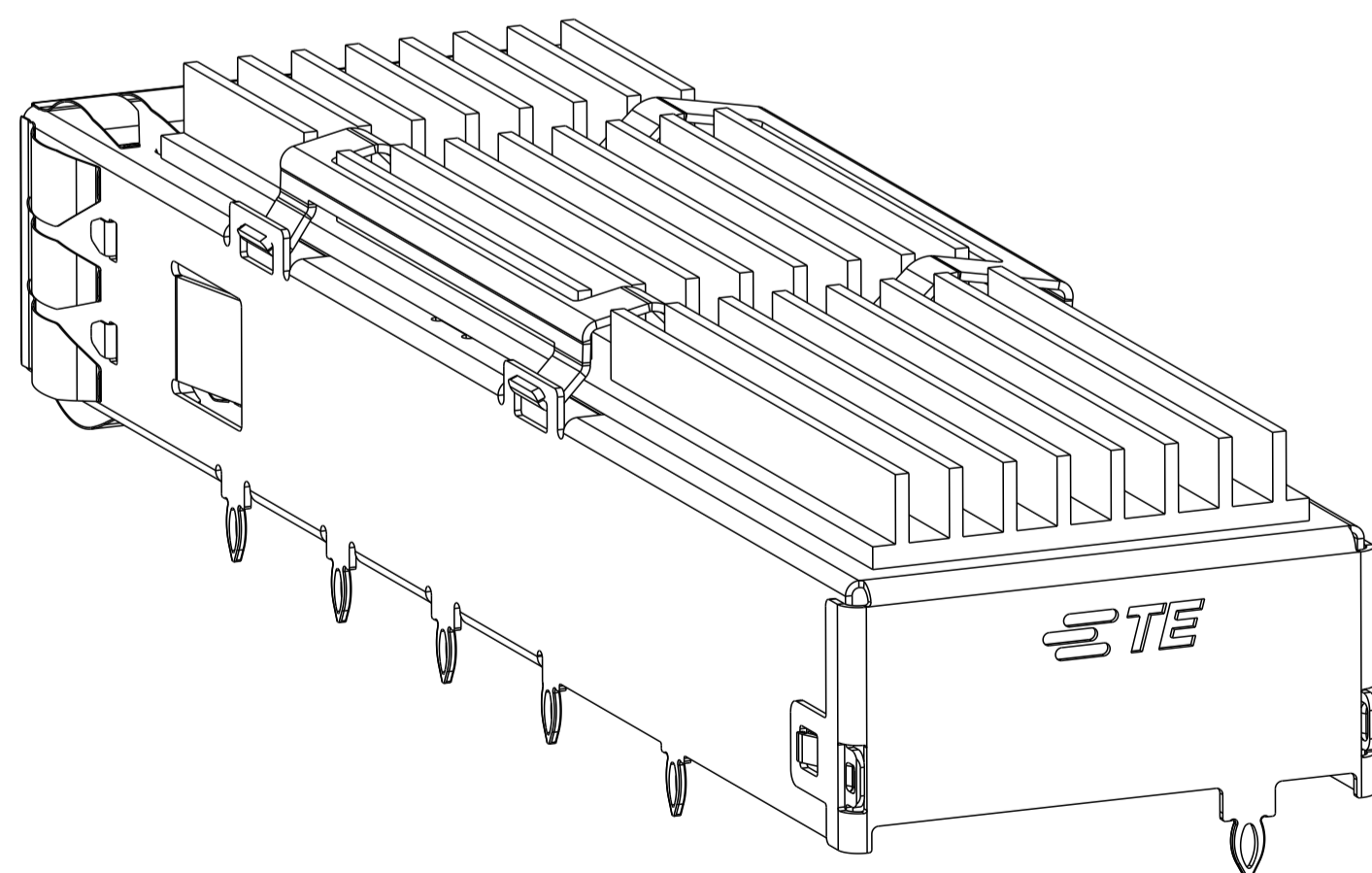
1-2342933-1 AS SHOWN
SAME AS-1 EXCEPT W/O REAR PINS
SCALE 4:1



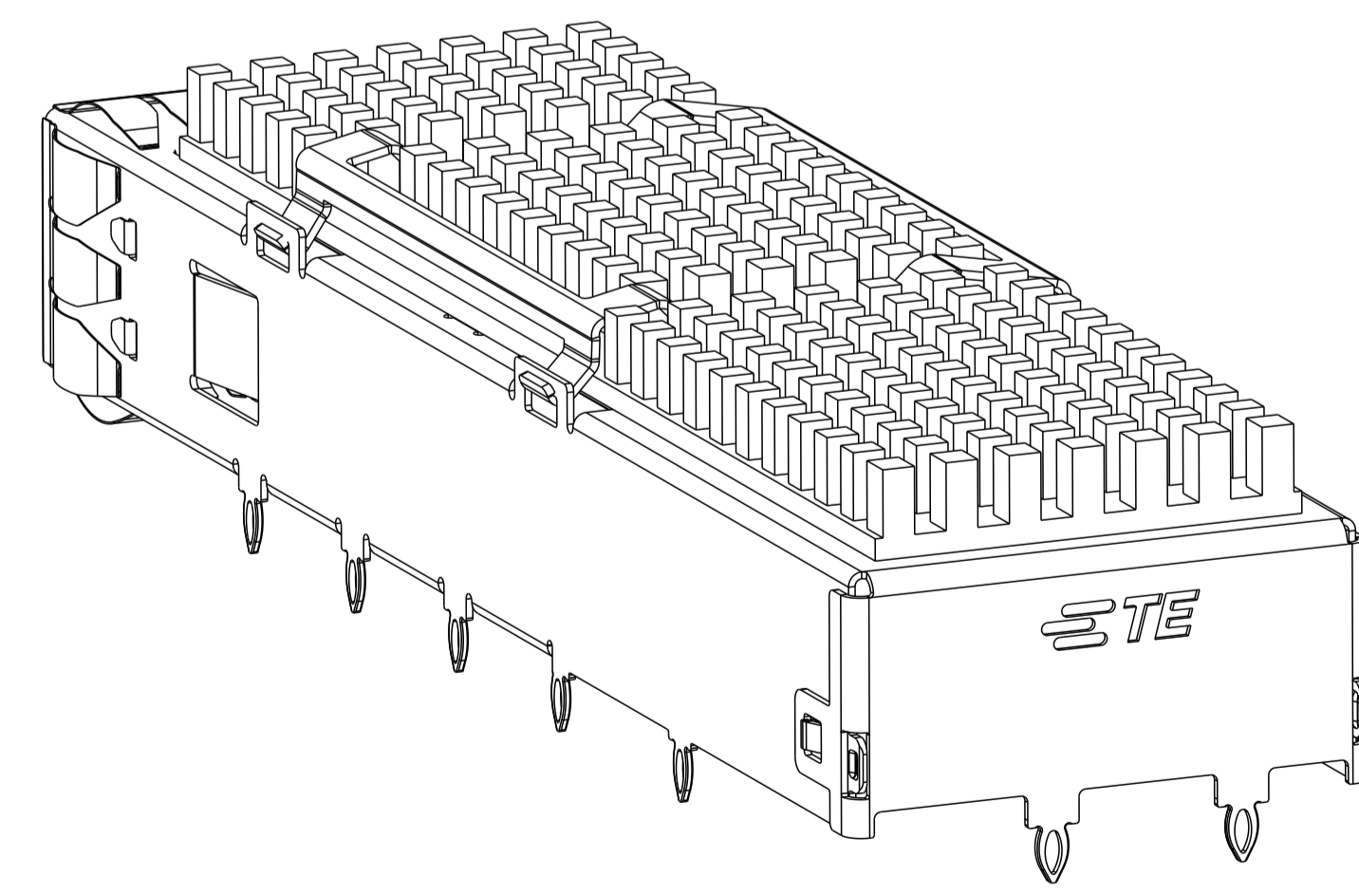
1-2342933-2 AS SHOWN
SAME AS-2 EXCEPT W/O REAR PINS
SCALE 4:1



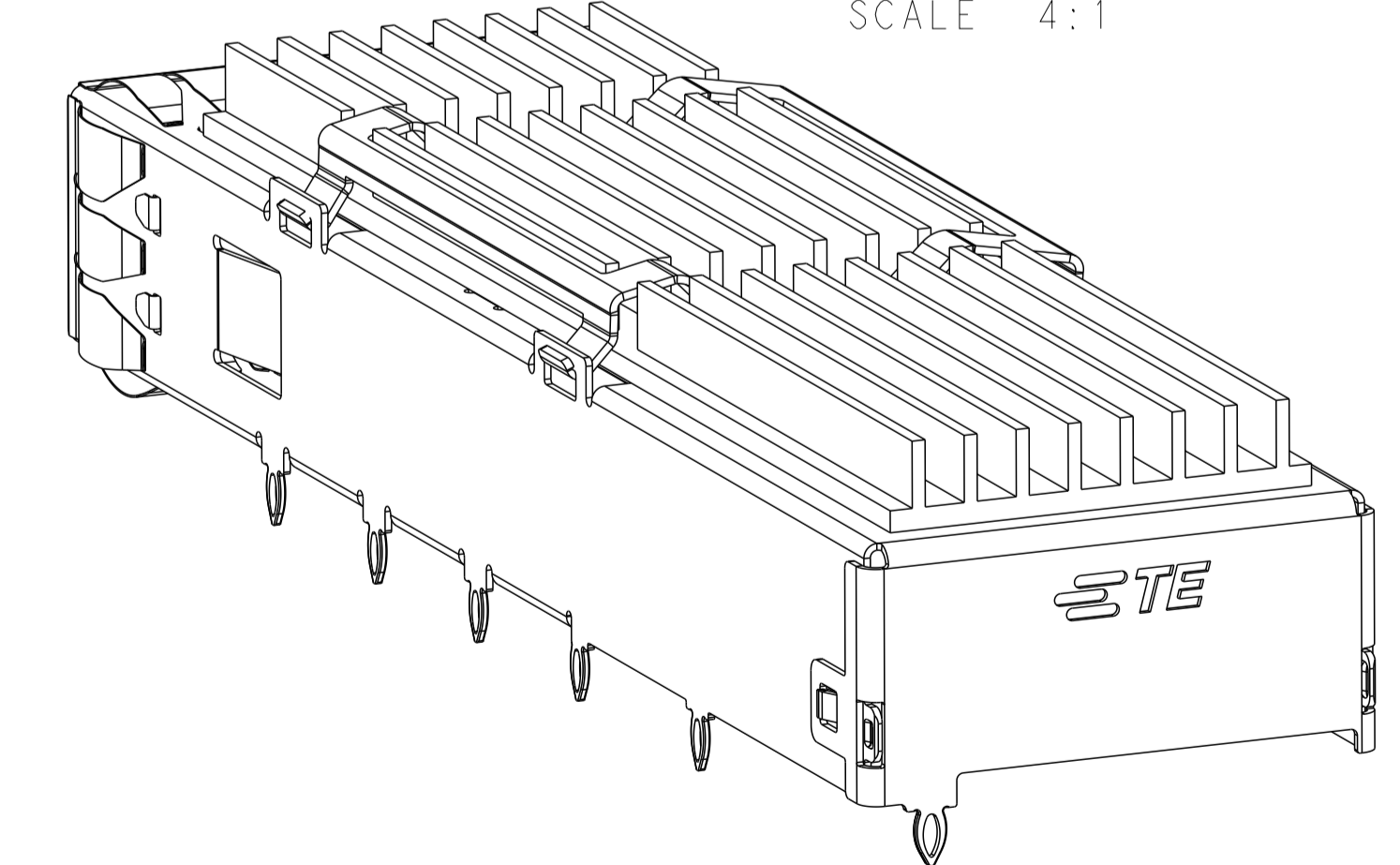
1-2342933-3 AS SHOWN
SAME AS-3 EXCEPT W/O REAR PINS
SCALE 4:1



5-2342933-1 AS SHOWN
SAME AS -1 EXCEPT W SINGLE REAR PIN
SCALE 4:1



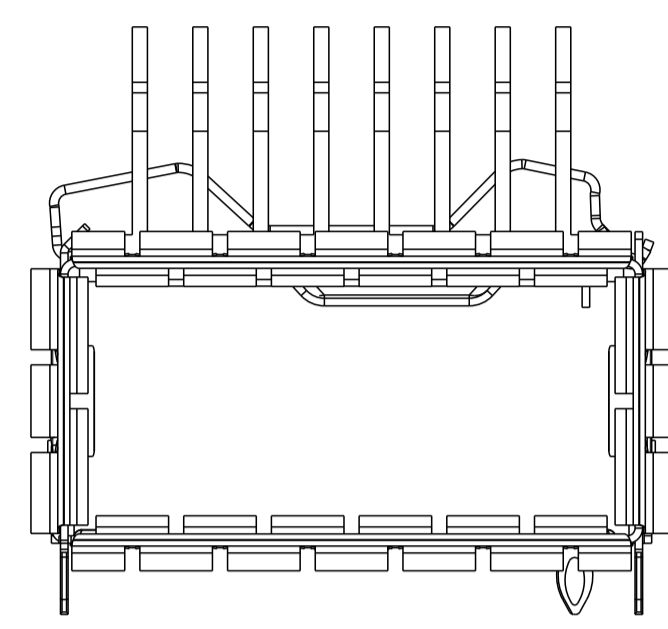
4-2342933-1 AS SHOWN
SAME AS -1 EXCEPT W/ SQUARE FIN HS
SCALE 4:1



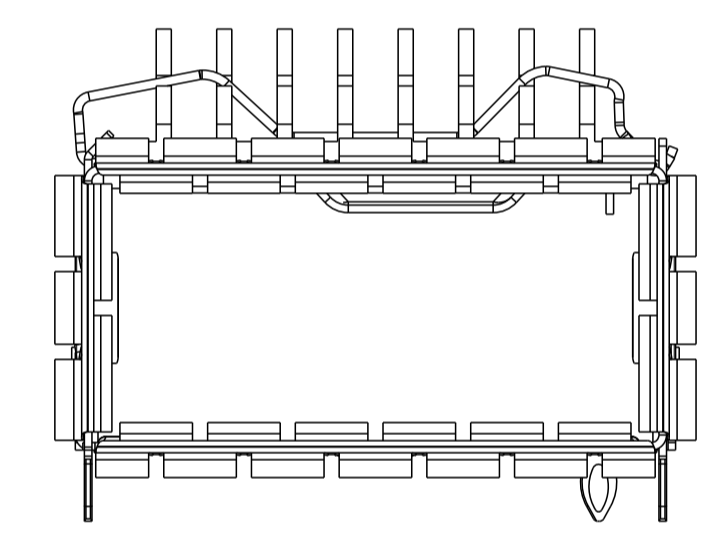
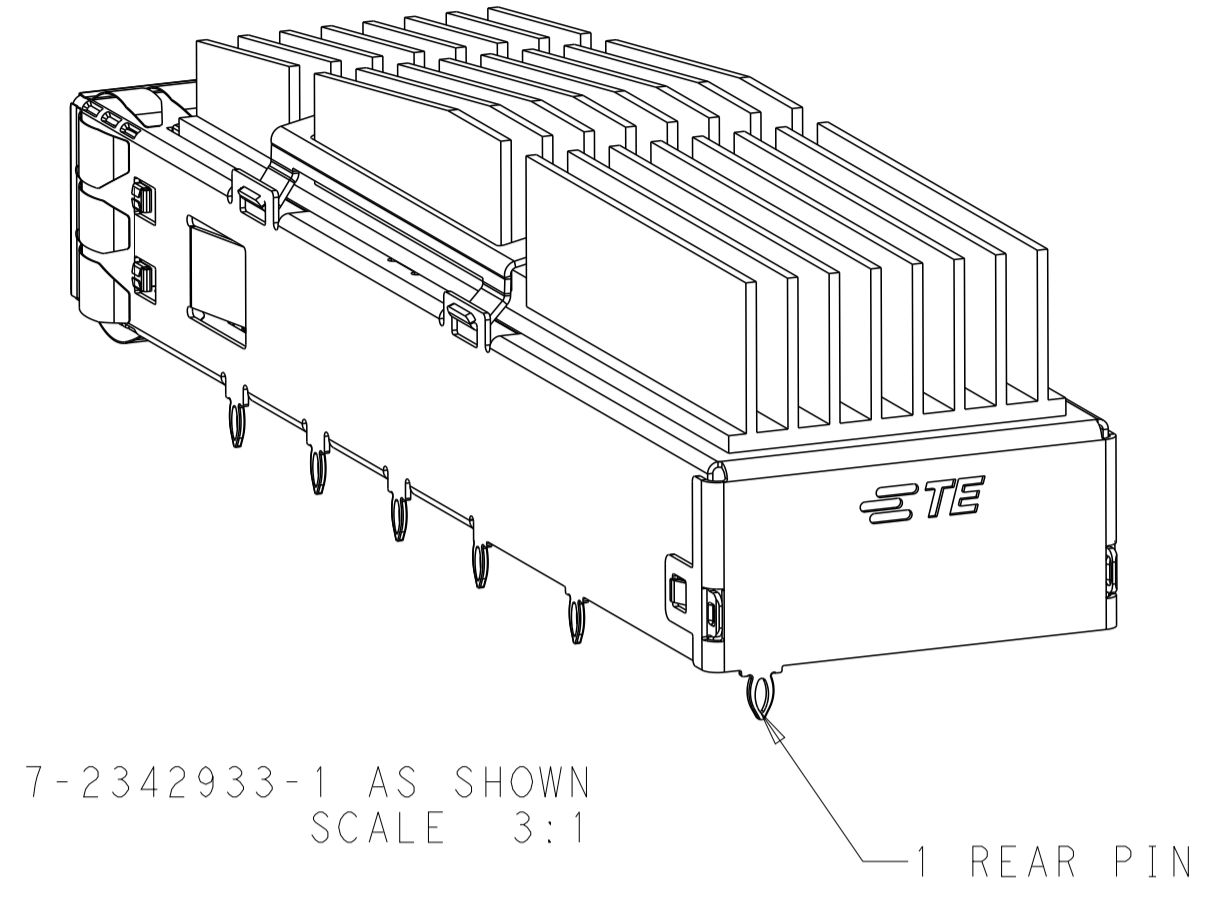
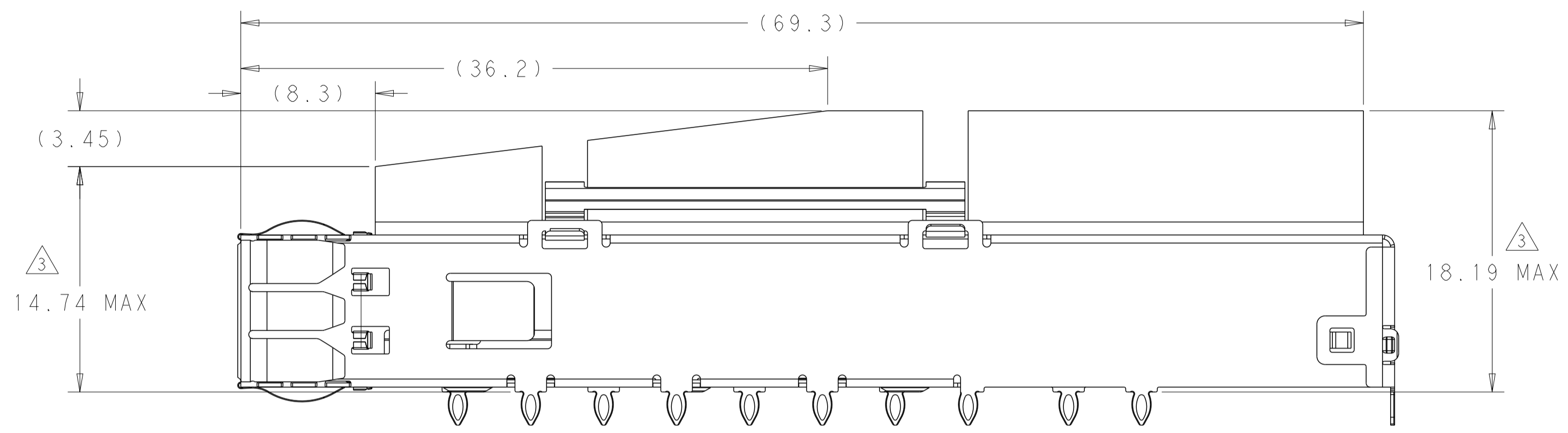
6-2342933-1 AS SHOWN
SAME AS -1 EXCEPT W SINGLE REAR PIN
SCALE 4:1

THIS DRAWING IS A CONTROLLED DOCUMENT.		OWN: ARTHUR JLN 26AUG2024	TE Connectivity
DIMENSIONS:		CHK: SEAN HAN 22AUG2024	
mm	0 PLC ±.5	APVD: SEAN HAN 29AUG2024	NAME: CAGE ASSEMBLY, QSFP-DD, 1X1, SPRING STANDARD W. EXTRUDED HEAT SINK
	1 PLC ±0.5	PRODUCT SPEC	
	2 PLC ±0.13	108-60122	SIZE: CAGE CODE: DRAWING NO: RESTRICTED TO:
	3 PLC ±0.013	APPLICATION SPEC	
	4 PLC ±0.0001	114-60025	A100779C=2342933
	ANGLES ±.0001	WEIGHT	
MATERIAL: TBD	FINISH:	CUSTOMER DRAWING; RESTRICTED CUSTOMER	SCALE: 2:1 SHEET 2 OF 12 REV: B2

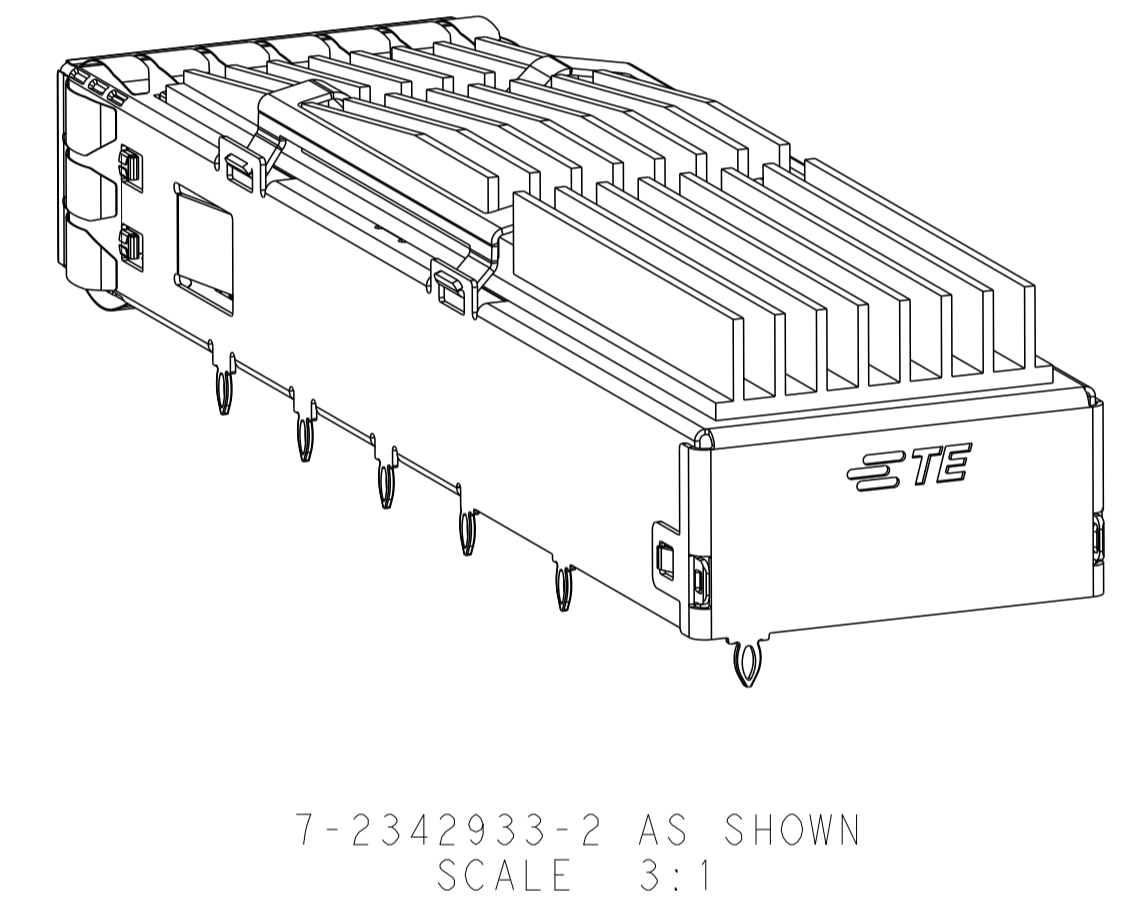
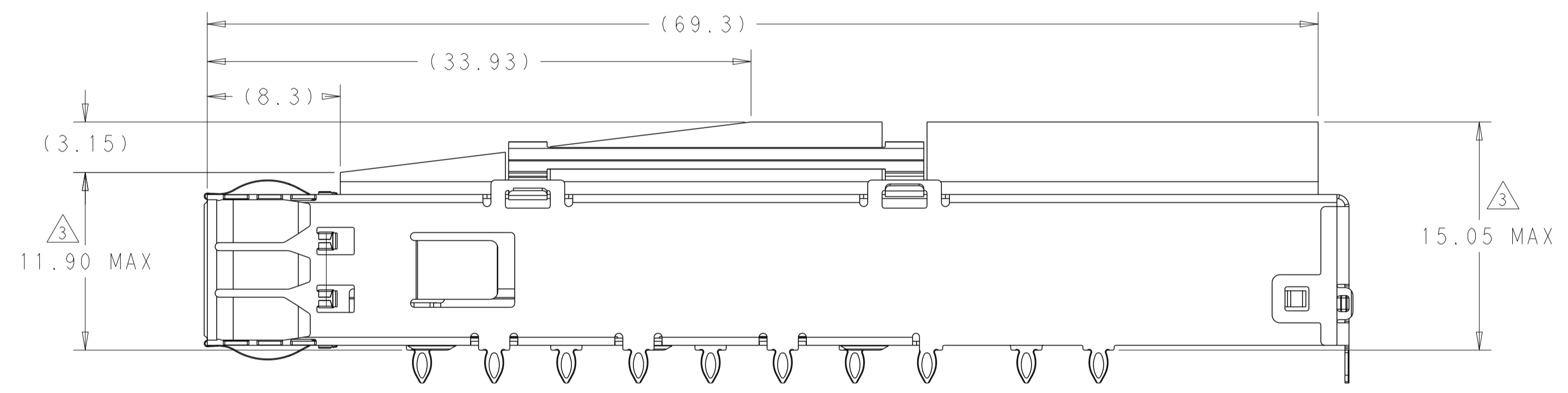
LOC	DIST	REV	DATE	BY	APPD
-	-	1	26AUG2024	ARTHUR JLN	
-	-	2	22AUG2024	SEAN HAN	
-	-	3	29AUG2024	SEAN HAN	



7-2342933-1 AS SHOWN
SCALE 4:1



7-2342933-2 AS SHOWN
SAME AS 7-1 EXCEPT HS
SCALE 4:1

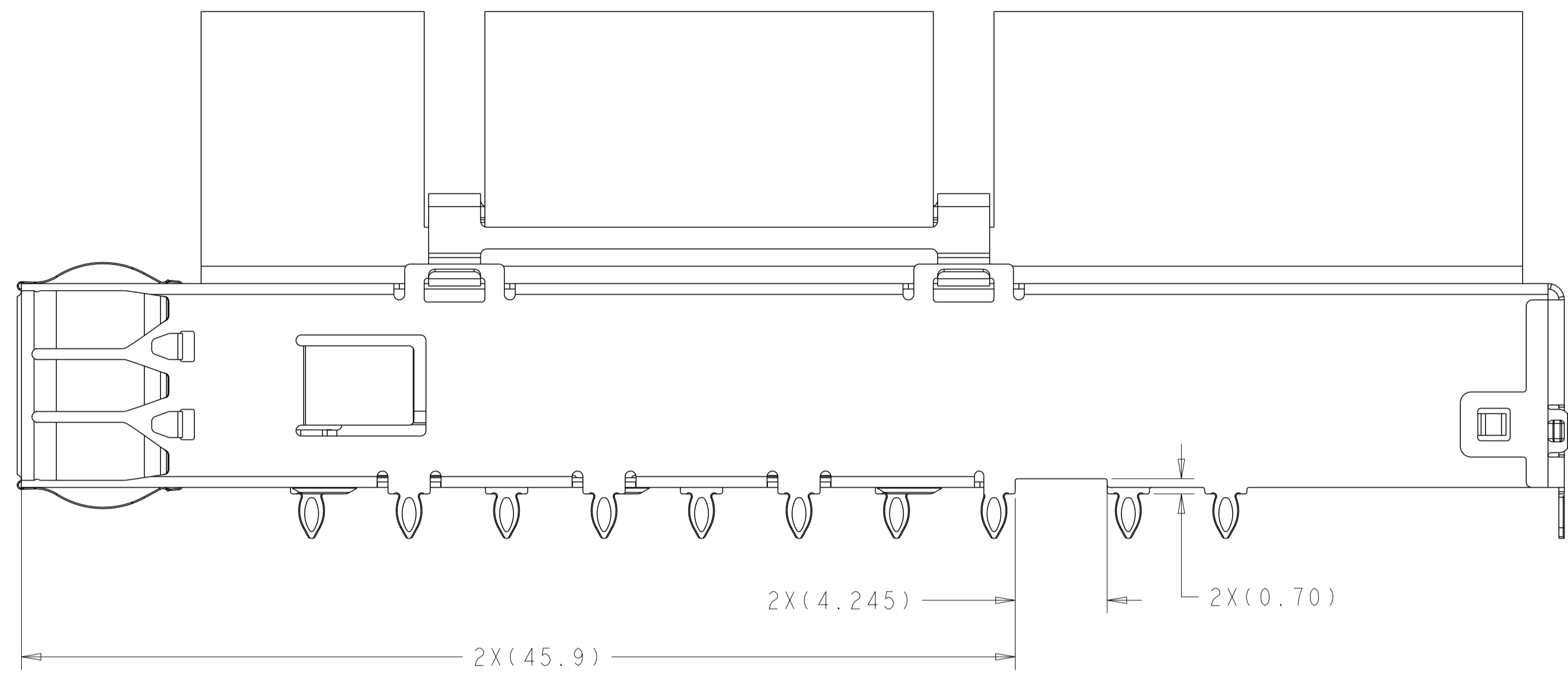
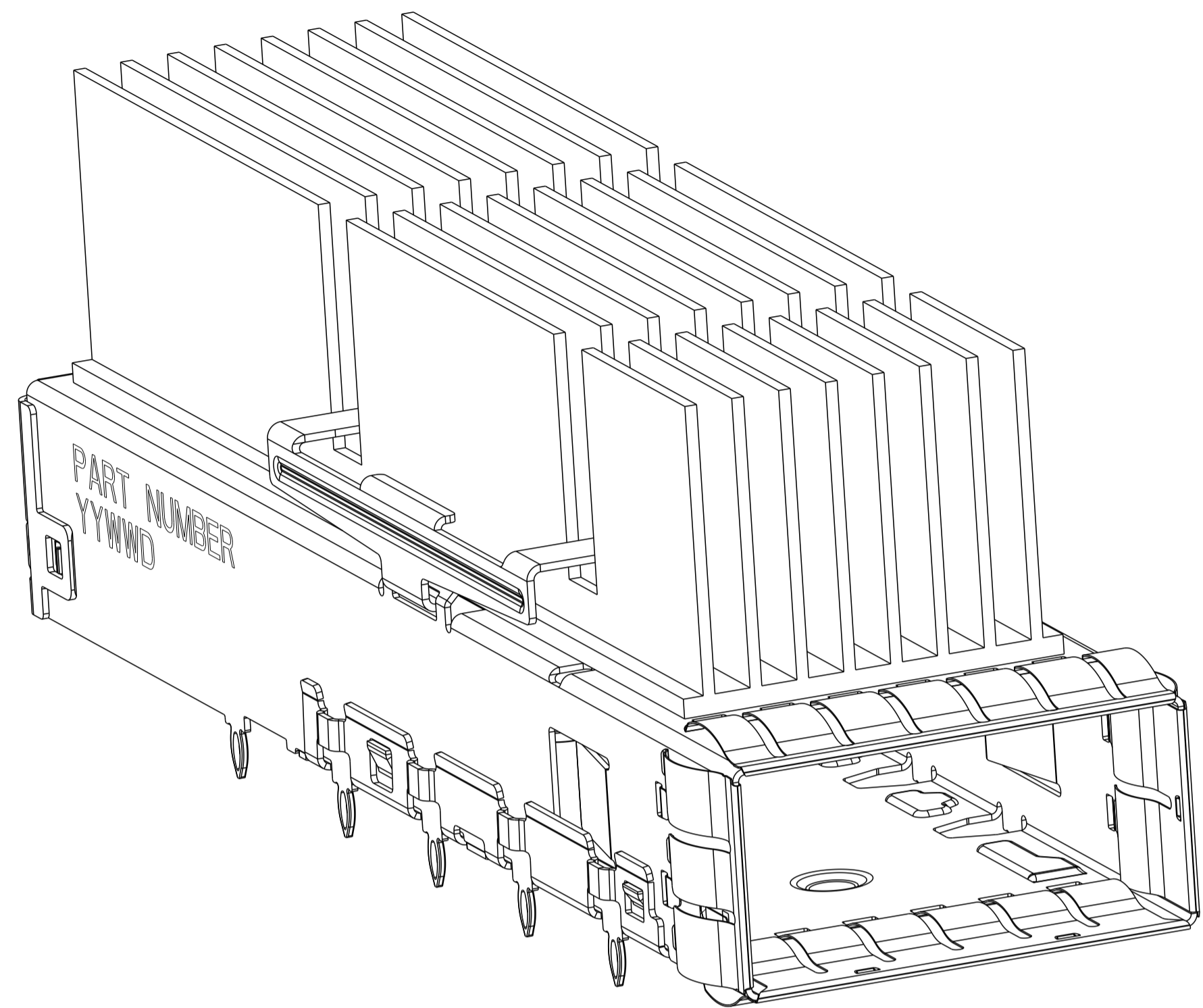


THIS DRAWING IS A CONTROLLED DOCUMENT.		OWN: ARTHUR JLN 26AUG2024	TE Connectivity NAME: CAGE ASSEMBLY, QSFP-DD, 1X1, SPRING STANDARD W/ EXTRUDED HEAT SINK
DIMENSIONS: mm		CHK: SEAN HAN 22AUG2024	
TOLERANCES UNLESS OTHERWISE SPECIFIED:		APVD: SEAN HAN 29AUG2024	PRODUCT SPEC: 108-60122
0 PLC ±.5 1 PLC ±0.13 2 PLC ±0.13 3 PLC ±0.013 4 PLC ±0.0001 ANGLES ±.		APPLICATION SPEC: 114-60025	SIZE: A1
MATERIAL: TBD	FINISH: -	WEIGHT: -	CAGE CODE: 2342933
CUSTOMER DRAWING; RESTRICTED CUSTOMER		SCALE: 2:1	SHEET 3 OF 12 REV B2

THIS DRAWING IS UNPUBLISHED. RELEASED FOR PUBLICATION 20
© COPYRIGHT 2024 TE Connectivity. All Rights Reserved. ALL RIGHTS RESERVED.

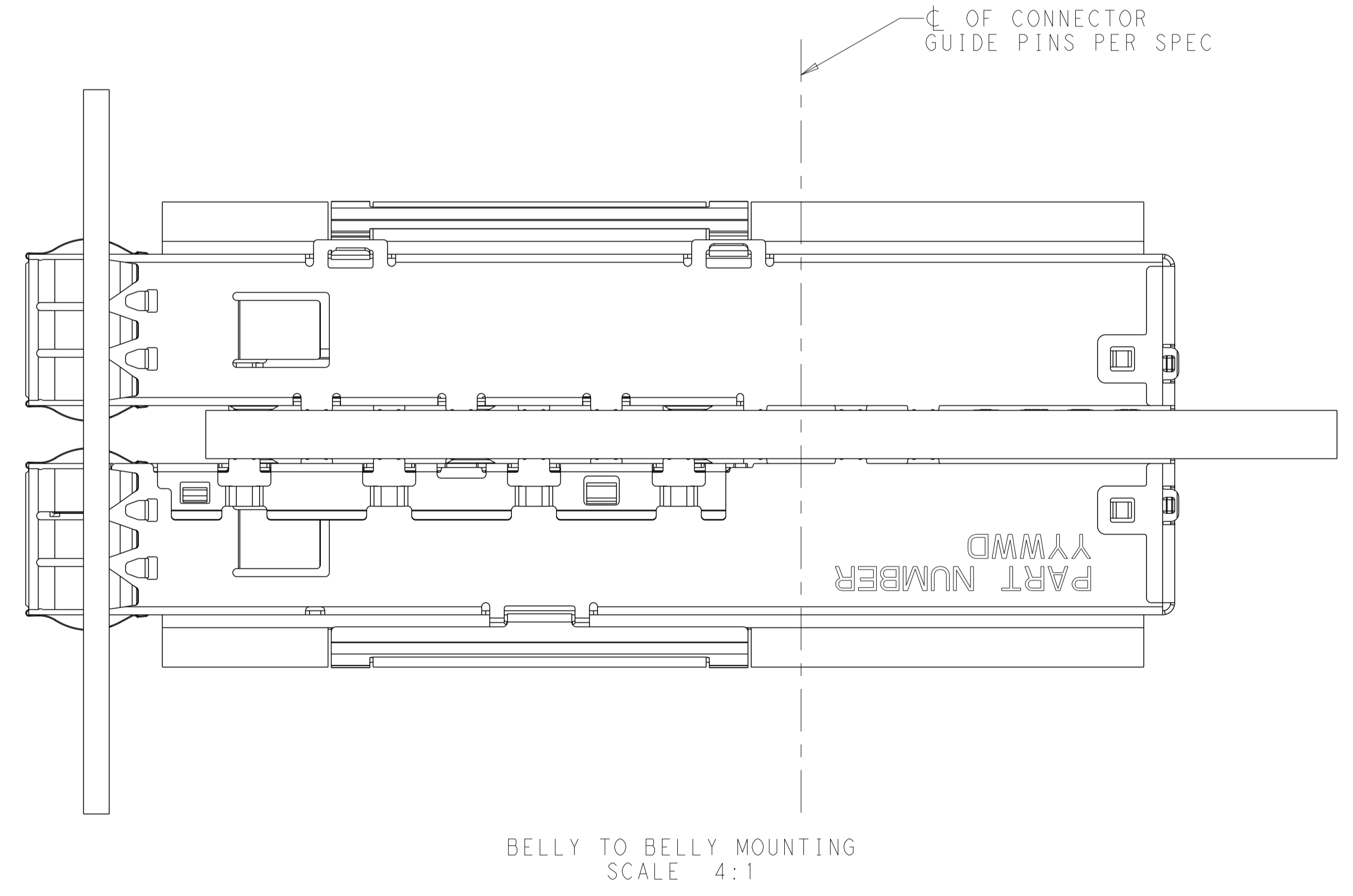
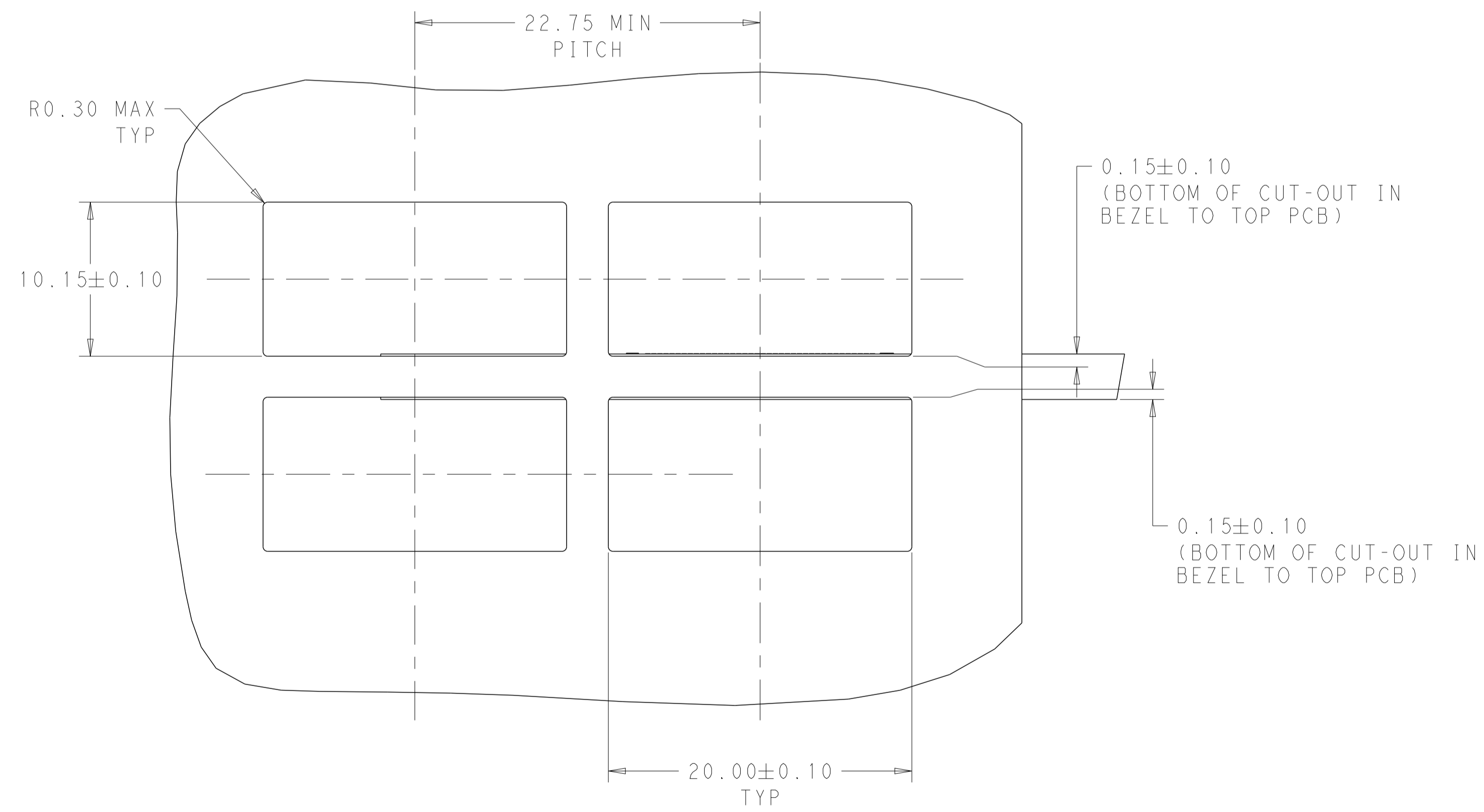
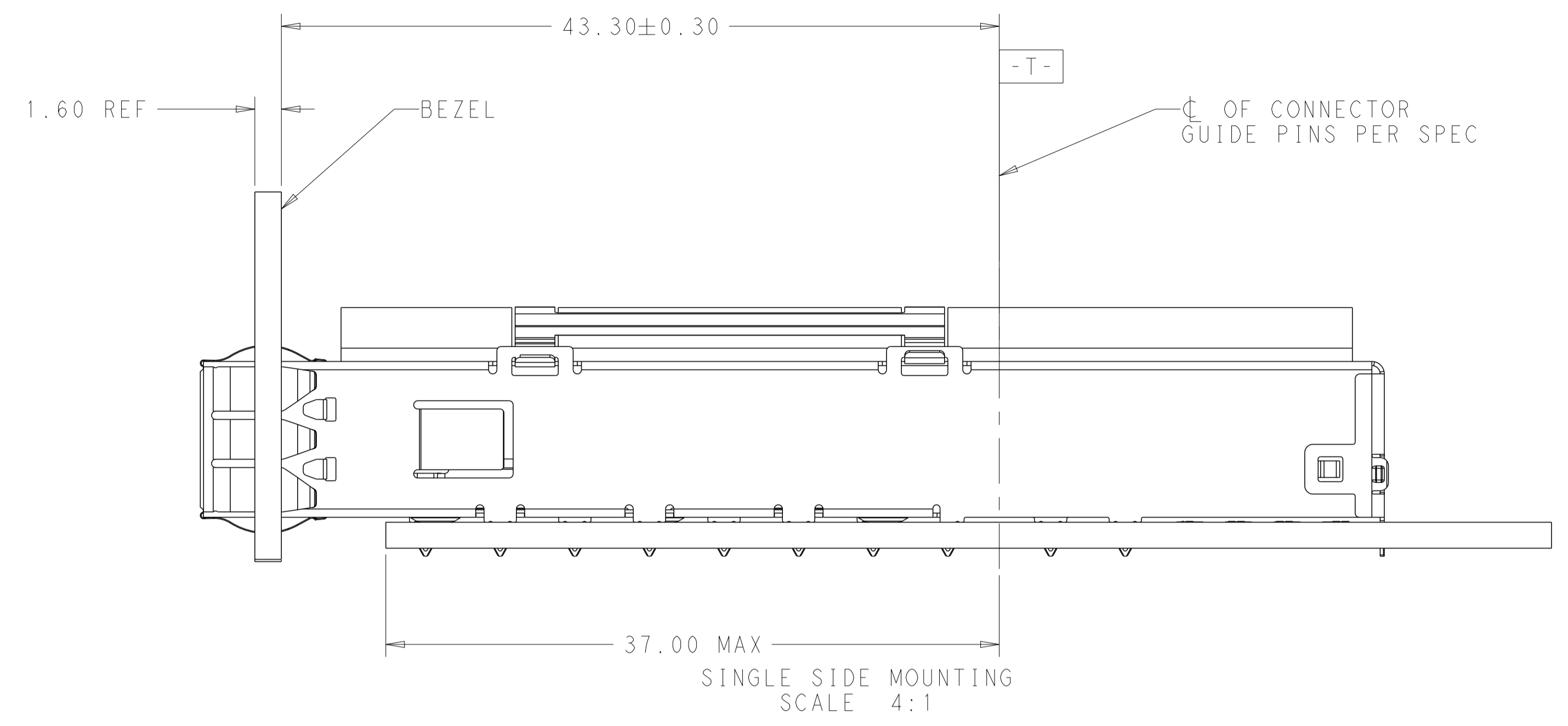
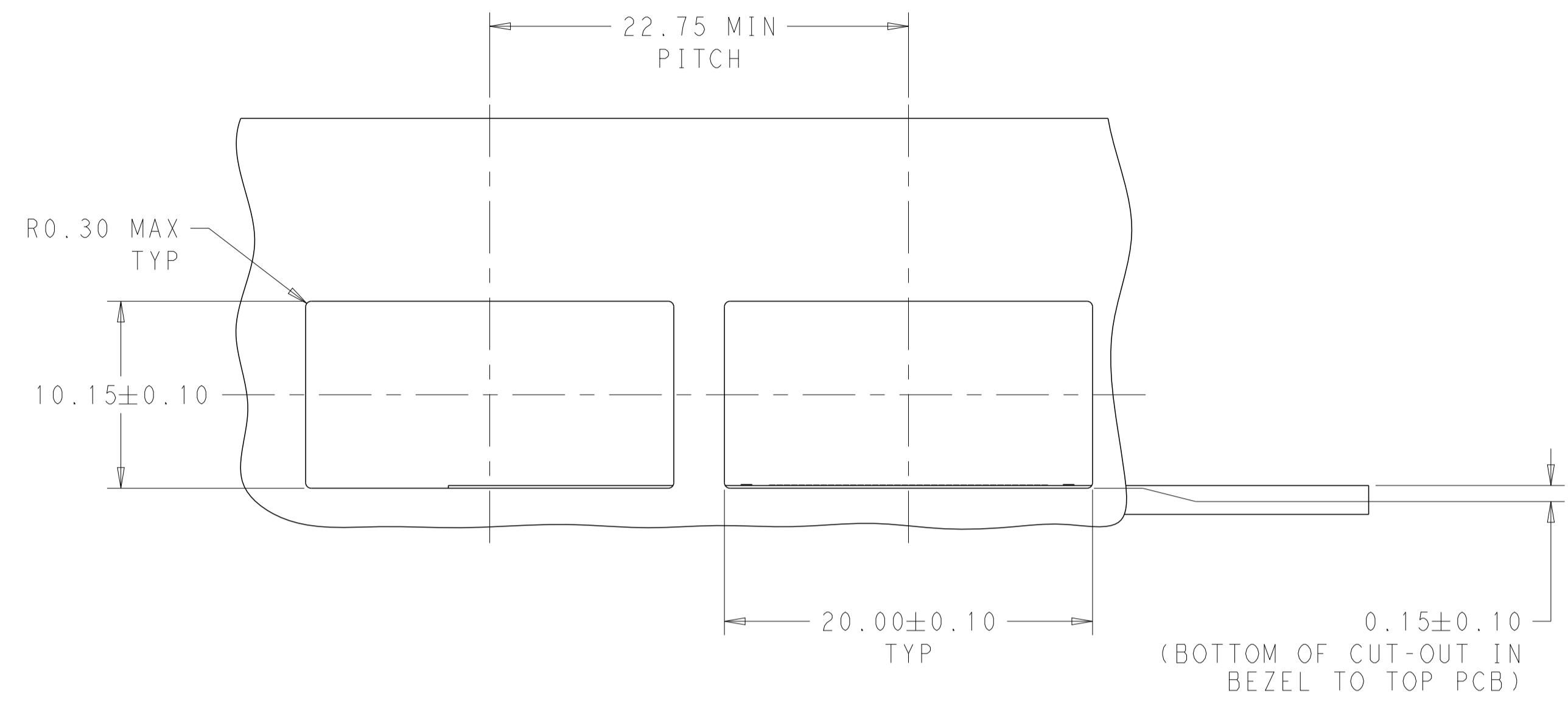
LOC		DIST		REVISIONS			
P	LTN	DESCRIPTION	DATE	OWN	APVD		
-	-	SEE SHEET 1	-	-	-		

5-2342933-4 AS SHOWN WITH NETWORK HEAT SINK AND CUTOUT



THIS DRAWING IS A CONTROLLED DOCUMENT.		OWN ARTHUR JLN 26AUG2024		NAME CAGE ASSEMBLY, OSFP-DD, 1X1, SPRING STANDARD W. EXTRUDED HEAT SINK
DIMENSIONS: mm		CHK SEAN HAN 22AUG2024		
TOLERANCES UNLESS OTHERWISE SPECIFIED:		APVD SEAN HAN 29AUG2024	PRODUCT SPEC	RESTRICTED TO
0 PLC ±0.5		108-60122	APPLICATION SPEC	SIZE CAGE CODE DRAWING NO
1 PLC ±0.13		114-60025	WEIGHT	A100779C=2342933
2 PLC ±0.13				CUSTOMER DRAWING; RESTRICTED CUSTOMER
3 PLC ±0.013				SCALE 2:1 SHEET 4 OF 12 REV B2
4 PLC ±0.001				
ANGLES ±0.0001				
FINISH				
MATERIAL TBD				

LOC		DIST		REVISIONS			
				DESCRIPTION	DATE	OWN	APVD
-	-	-	-	SEE SHEET 1	-	-	-



THIS DRAWING IS A CONTROLLED DOCUMENT.

OWN: ARTHUR JIN 26AUG2024
 CHK: SEAN HAN 22AUG2024
 APVD: SEAN HAN 29AUG2024

TE Connectivity

NAME: CAGE ASSEMBLY, QSPF-DD, 1X1, SPRING STANDARD W/ EXTRUDED HEAT SINK

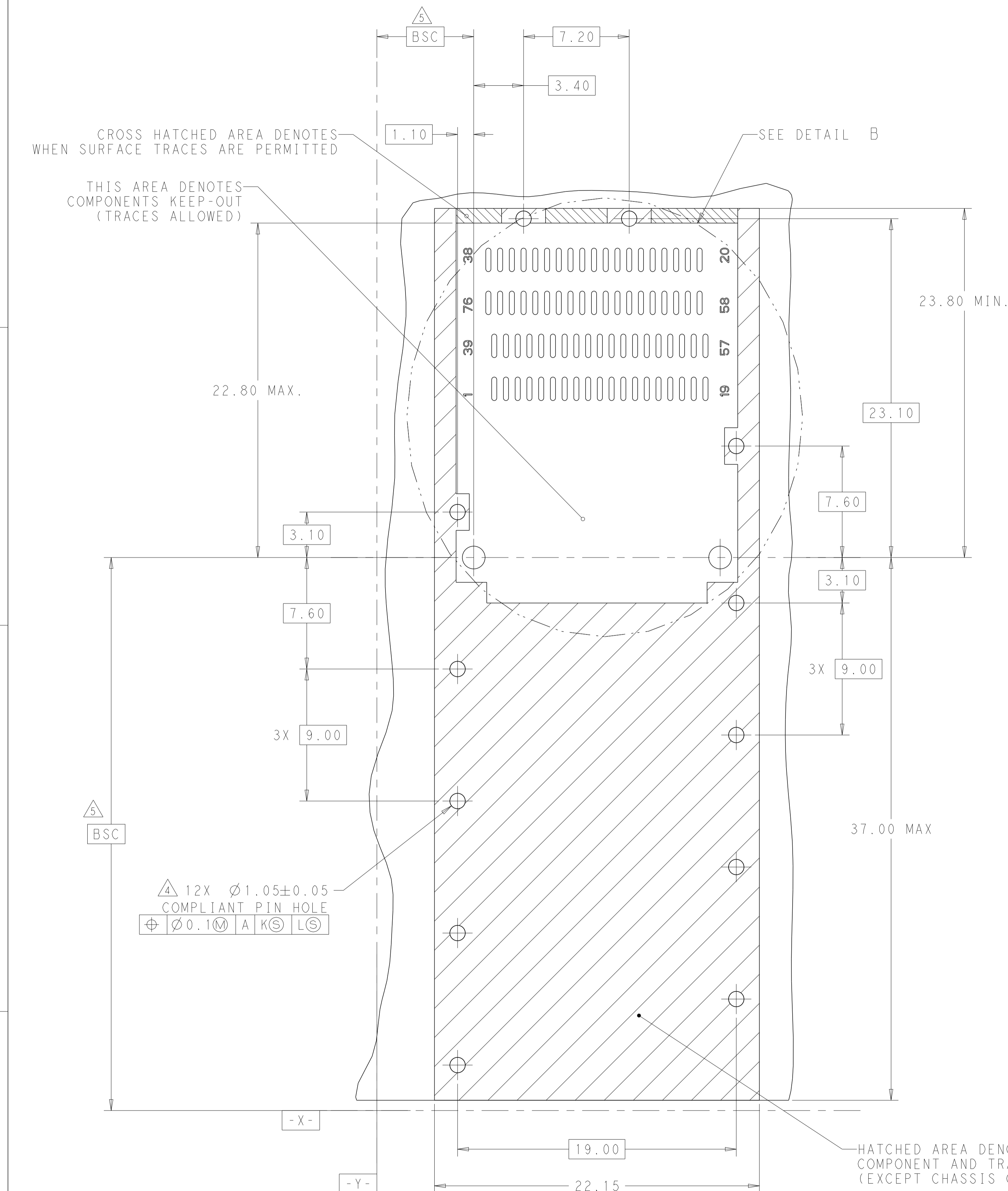
SIZE: A1
 CAGE CODE: 114-60025
 DRAWING NO: 108-60122
 PRODUCT SPEC: APPLICATION SPEC

RESTRICTED TO: CUSTOMER DRAWING; RESTRICTED CUSTOMER

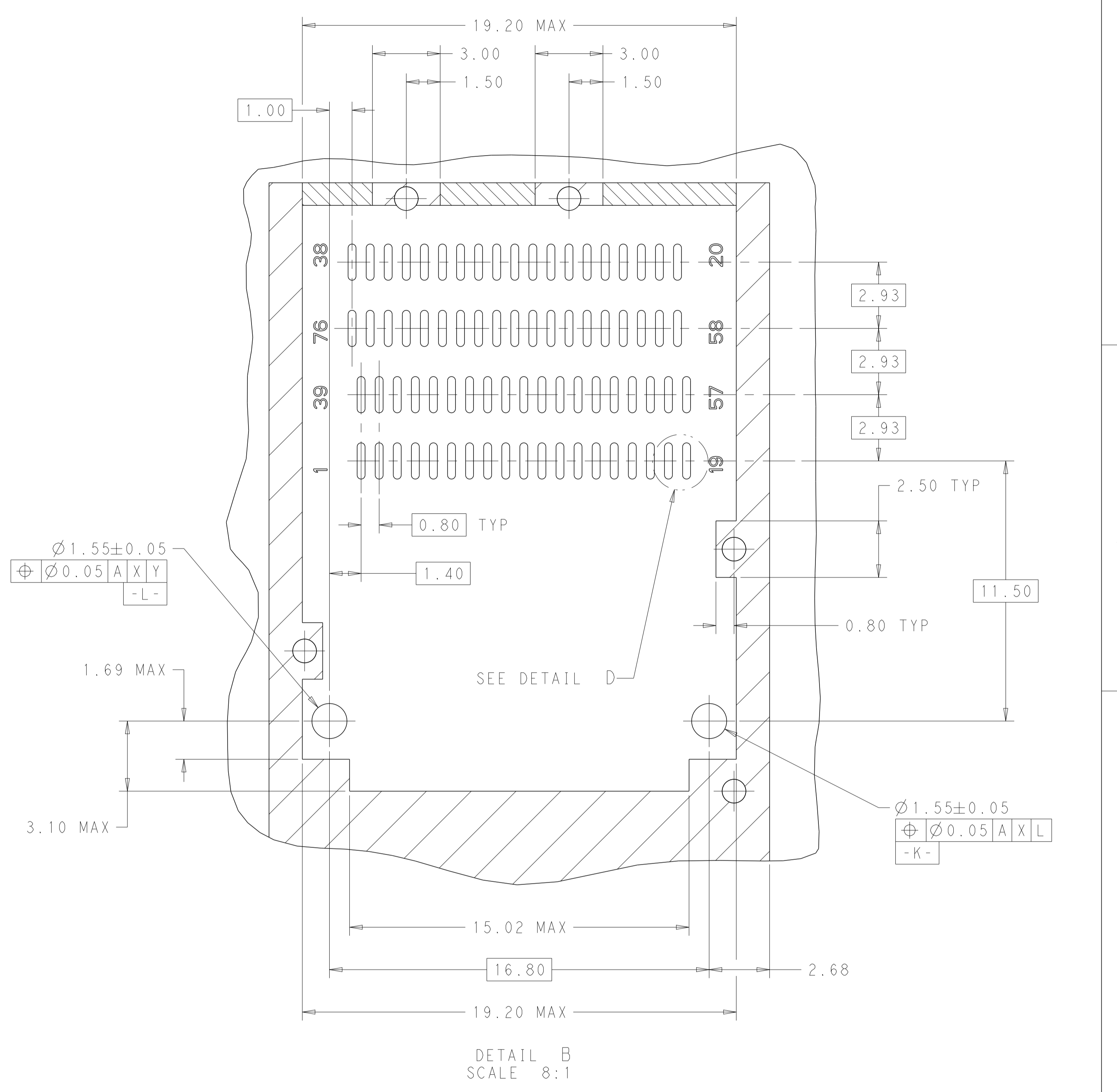
SCALE: 2:1 SHEET 5 OF 12 REV B2

DIMENSIONS:	TOLERANCES UNLESS OTHERWISE SPECIFIED:
mm	0 PLC ±0.5
	1 PLC ±0.13
	2 PLC ±0.013
	3 PLC ±0.001
	4 PLC ±0.0001
	ANGLES ±0.001
MATERIAL: TBD	FINISH: -

LOC		DIST		REVISIONS				
P	LTN	DATE	DMN	APVD	DESCRIPTION	DATE	DMN	APVD
-	-	-	-	-	SEE SHEET 1	-	-	-



RECOMMENDED PCB LAYOUT
 SINGLE TYPE OF 2 REAR HOLES OF LEGS
 PCB TOLERANCE: ± 0.05
 SCALE 6:1

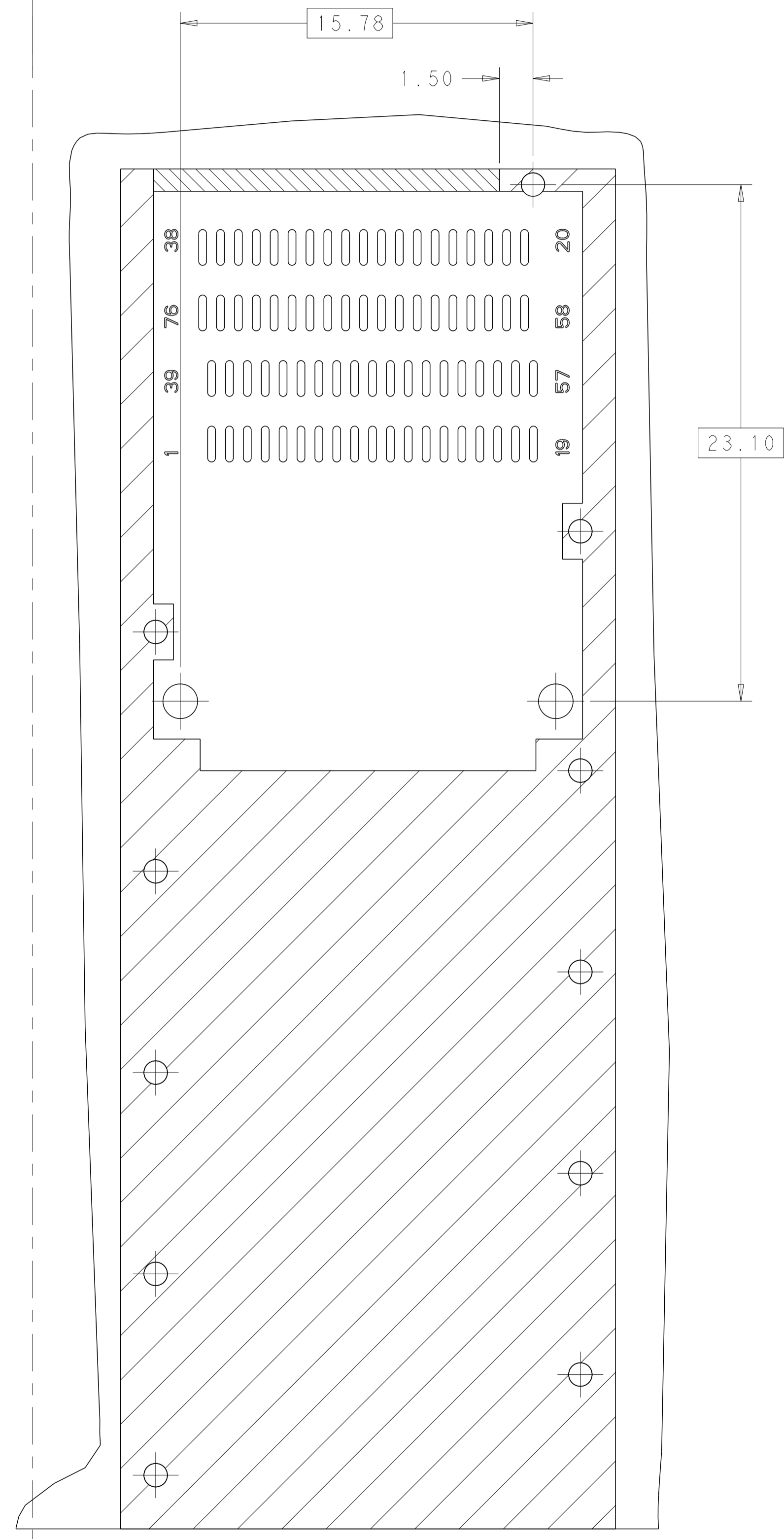


DETAIL D
 SCALE 20:1

THIS DRAWING IS A CONTROLLED DOCUMENT.		DMN ARTHUR JLN 26AUG2024	APVD SEAN HAN 22AUG2024		NAME CAGE ASSEMBLY, QSFP-DD, 1X1, SPRING STANDARD W. EXTRUDED HEAT SINK	
DIMENSIONS:	TOLERANCES UNLESS OTHERWISE SPECIFIED:	CHK SEAN HAN 29AUG2024	APVD SEAN HAN 29AUG2024		PRODUCT SPEC 108-60122	
mm	0 PLC ± 0.5 1 PLC ± 0.5 2 PLC ± 0.13 3 PLC ± 0.013 4 PLC ± 0.001 ANGLES ± 0.001	APPLICATION SPEC 114-60025		SIZE A100779		
MATERIAL TBD	FINISH	WEIGHT	CUSTOMER DRAWING: RESTRICTED CUSTOMER		SCALE 2:1 SHEET 6 OF 12 REV B2	

LOC		DIST		REVISIONS			
P	LTN	DESCRIPTION	DATE	DMN	APVD		
-	-	SEE SHEET 1	-	-	-		

- Y -

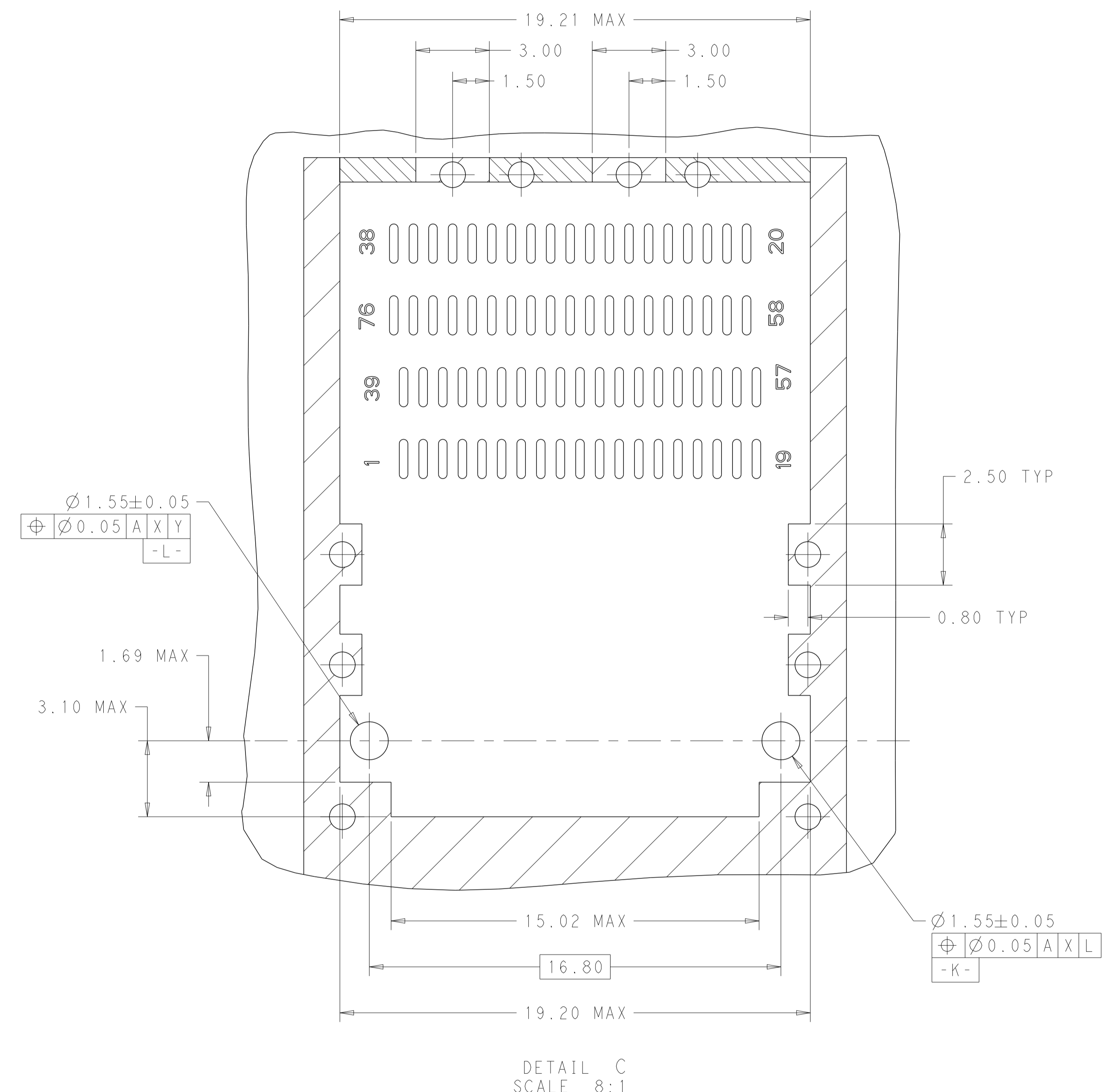
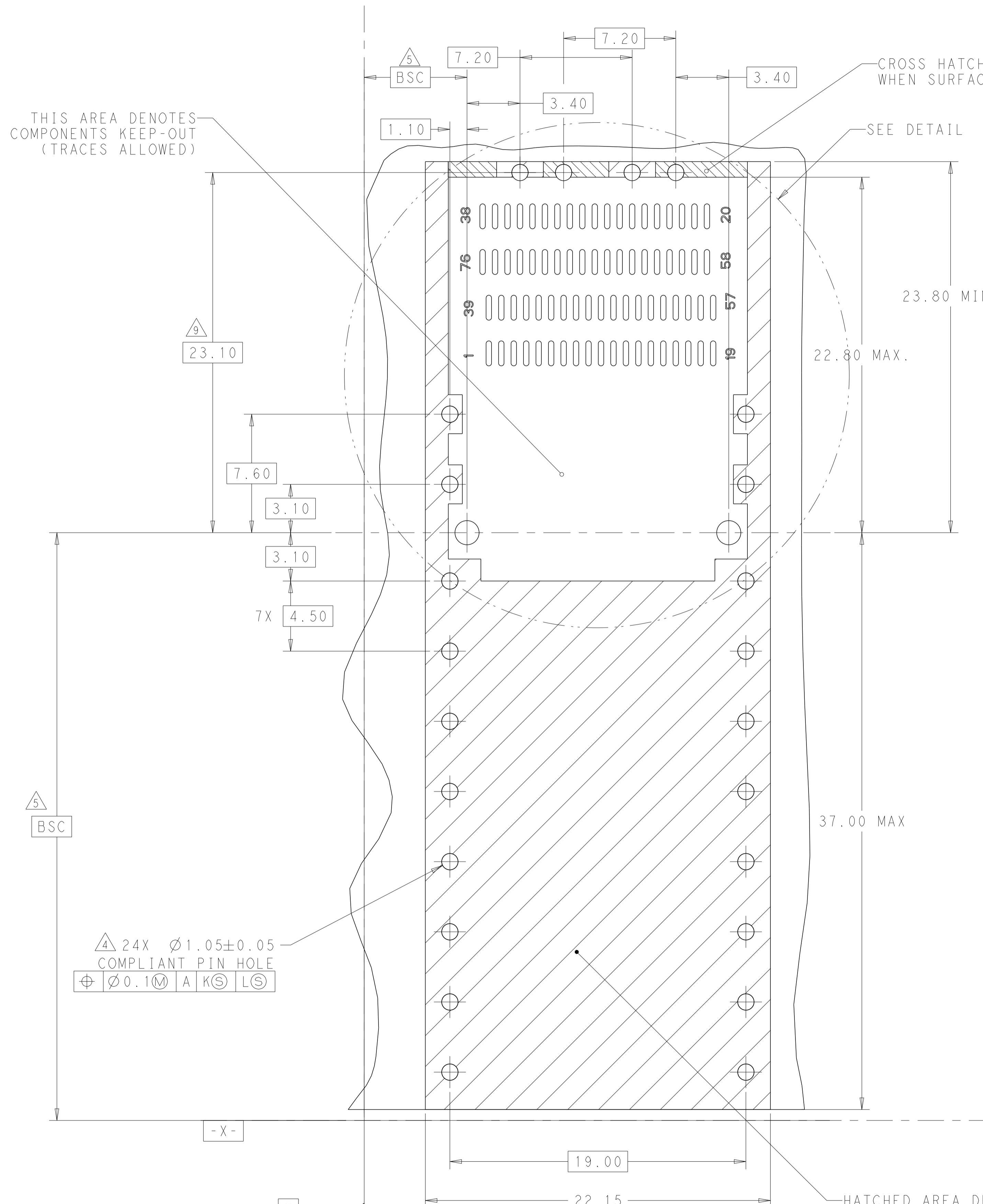


- X -

RECOMMENDED PCB LAYOUT
 SINGLE TYPE OF 1 REAR HOLES OF LEGS
 UNSPECIFIED DIMENSIONS ARE SAME AS SUNGLE TYPE OF 2 REAR HOLES OF LEGS
 PCB TOLERANCE: ±0.05
 SCALE 6:1

THIS DRAWING IS A CONTROLLED DOCUMENT.		DMN: ARTHUR JLN 26AUG2024	
		CHK: SEAN HAN 22AUG2024	
DIMENSIONS:		APVD: SEAN HAN 29AUG2024	NAME: CAGE ASSEMBLY, QSPF-DD, 1X1, SPRING STANDARD W. EXTRUDED HEAT SINK
TOLERANCES UNLESS OTHERWISE SPECIFIED:		PRODUCT SPEC	
mm	0 PLC ±	108-60122	SIZE: CAGE CODE DRAWING NO
	1 PLC ±0.5	APPLICATION SPEC	
	2 PLC ±0.13	114-60025	RESTRICTED TO
	3 PLC ±0.013		A100779C=2342933
	4 PLC ±0.0001		
	ANGLES ±		
MATERIAL: TBD	FINISH: -	WEIGHT: -	CUSTOMER DRAWING; RESTRICTED CUSTOMER
		SCALE: 2:1	SHEET 7 OF 12 REV B2

LOC		DIST		REVISIONS			
P	LTN	DESCRIPTION	DATE	OWN	APVD		
-	-	SEE SHEET 1	-	-	-		

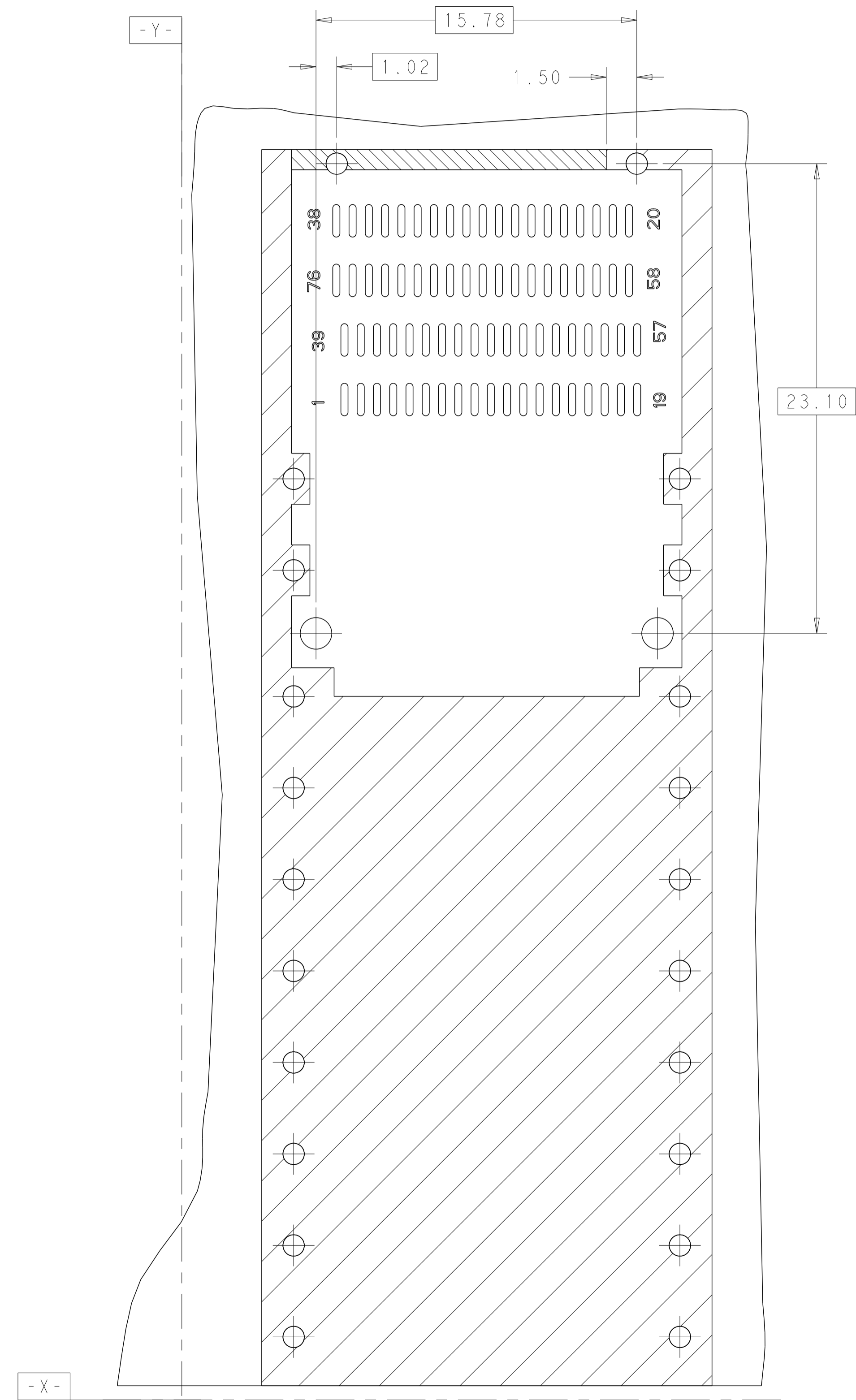


RECOMMENDED PCB LAYOUT
 BELLY TO BELLY TYPE OF 2 REAR HOLES OF LEGS
 PCB TOLERANCE: ± 0.05
 SCALE 6:1

THIS DRAWING IS A CONTROLLED DOCUMENT.		OWN: ARTHUR JLN 26AUG2024	TE Connectivity
DIMENSIONS: mm		CHK: SEAN HAN 22AUG2024	
TOLERANCES UNLESS OTHERWISE SPECIFIED:		APVD: SEAN HAN 29AUG2024	NAME: CAGE ASSEMBLY, QSPF-DD, 1X1, SPRING STANDARD W. EXTRUDED HEAT SINK
0 PLC ± 0.5	1 PLC ± 0.5	PRODUCT SPEC: 108-60122	SIZE: A1
2 PLC ± 0.13	3 PLC ± 0.013	APPLICATION SPEC: 114-60025	CAGE CODE: 2342933
4 PLC ± 0.001	ANGLES ± 0.001	FINISH: -	RESTRICTED TO: -
MATERIAL: TBD	WEIGHT: -	CUSTOMER DRAWING: RESTRICTED CUSTOMER	SCALE: 2:1 SHEET 8 OF 12 REV B2

LOC		DIST		REVISIONS			
P	LTN	DESCRIPTION	DATE	DMN	APVD		
-	-	SEE SHEET 1	-	-	-		

BELOW LAYOUT APPLY TO 6-1/7-1/7-2



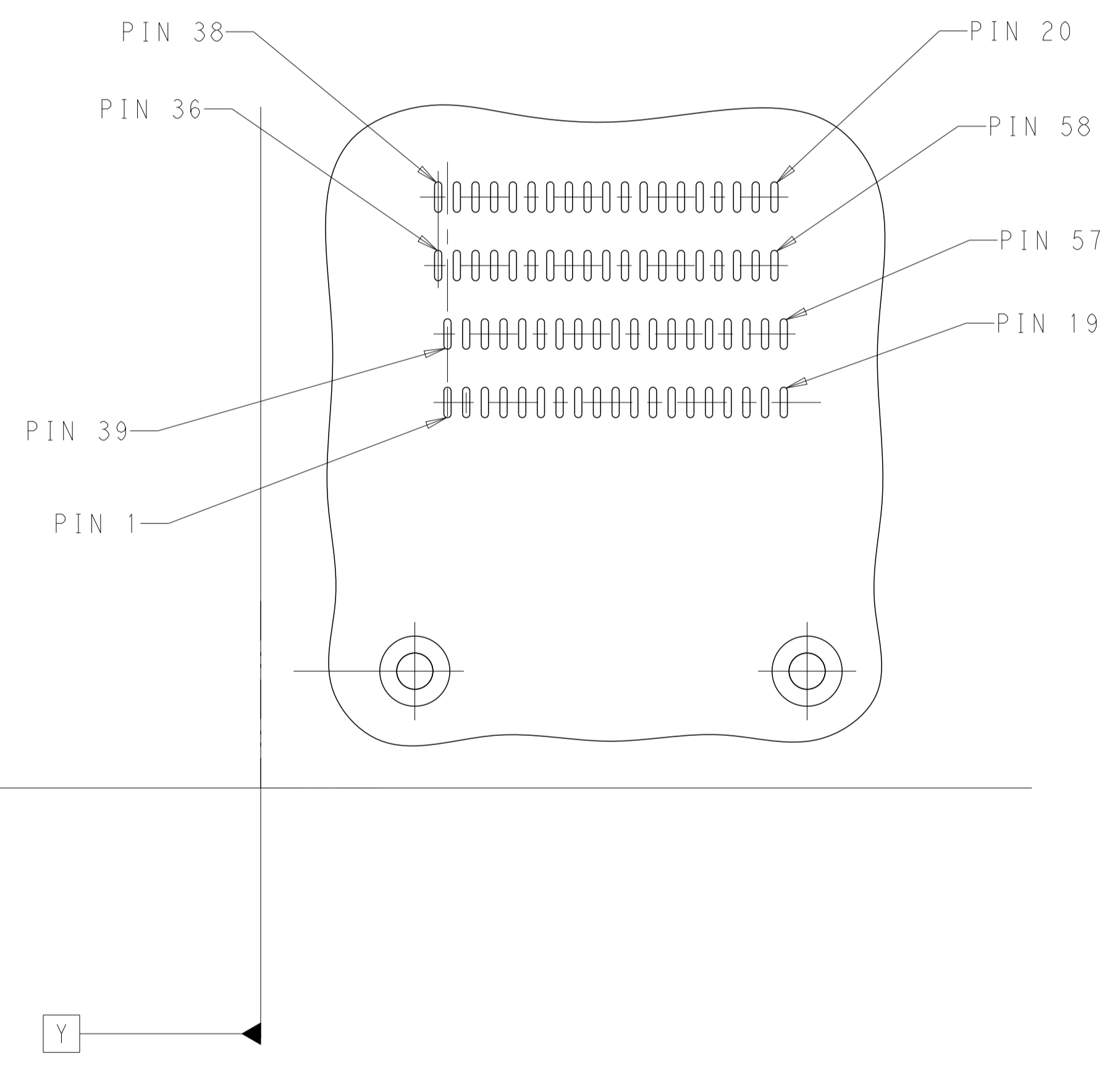
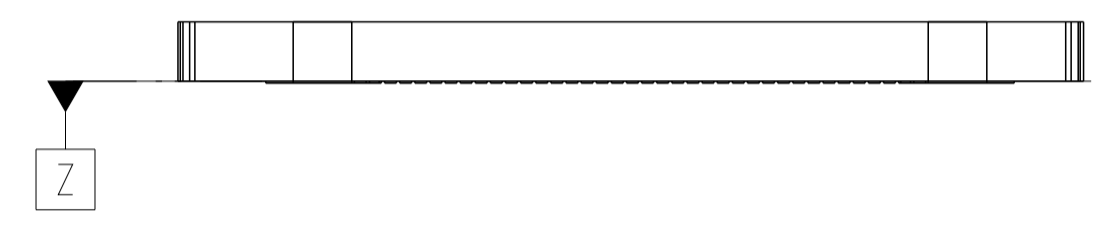
RECOMMENDED PCB LAYOUT
 BELLY TO BELLY OF 1 REAR HOLES OF LEGS
 UNSPECIFIED DIMENSIONS ARE SAME AS BELLY TO BELLY OF 2 REAR HOLES OF LEGS
 PCB TOLERANCE: ±0.05 SCALE 6:1

THIS DRAWING IS A CONTROLLED DOCUMENT.		DMN	26AUG2024		
		CHK	ARTHUR JLN 22AUG2024		
DIMENSIONS:		APVD		NAME CAGE ASSEMBLY, QSFP-DD, 1X1, SPRING STANDARD W. EXTRUDED HEAT SINK	
mm		SEAN HAN 29AUG2024			
TOLERANCES UNLESS OTHERWISE SPECIFIED:		PRODUCT SPEC			
0 PLC ± 1 PLC ±0.5 2 PLC ±0.13 3 PLC ±0.013 4 PLC ±0.001 ANGLES ± FINISH -		108-60122 APPLICATION SPEC 114-60025			
MATERIAL	TBD	SIZE	CAGE CODE	DRAWING NO	RESTRICTED TO
		A1	00779	C=2342933	-
CUSTOMER DRAWING; RESTRICTED CUSTOMER		SCALE	2:1	SHEET	9 OF 12
				REV	B2

THIS DRAWING IS UNPUBLISHED. RELEASED FOR PUBLICATION 20
© COPYRIGHT 2024 TE Connectivity. All Rights Reserved. ALL RIGHTS RESERVED.

LOC	DIST	P	LTN	DESCRIPTION	DATE	DMN	APVD
-	-	-	-	SEE SHEET 1	-	-	-

NOTES: RECOMENDED PCB LAYOUT FOR 112G
DETAILS SEE DRAWING NO.2372133

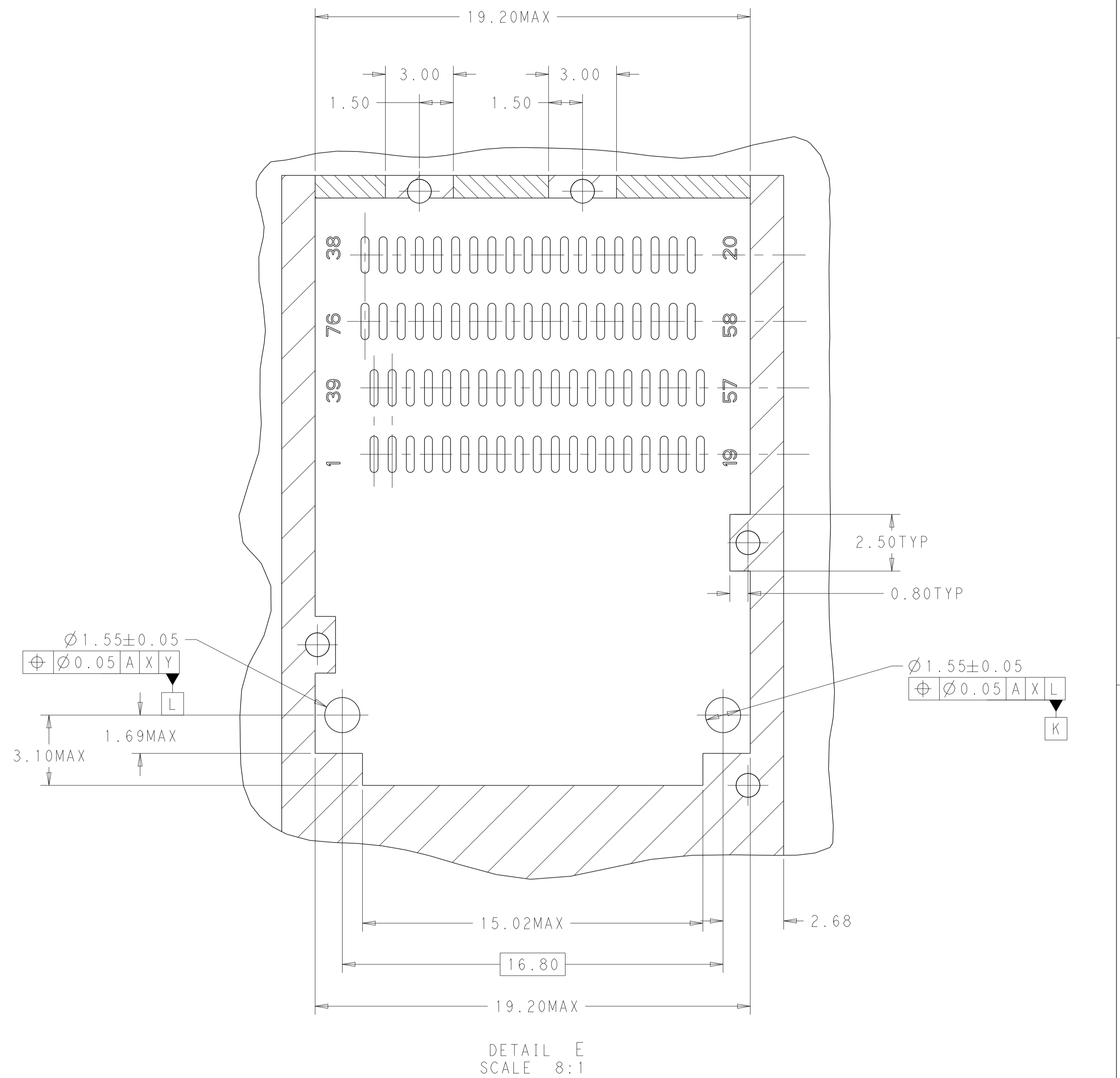
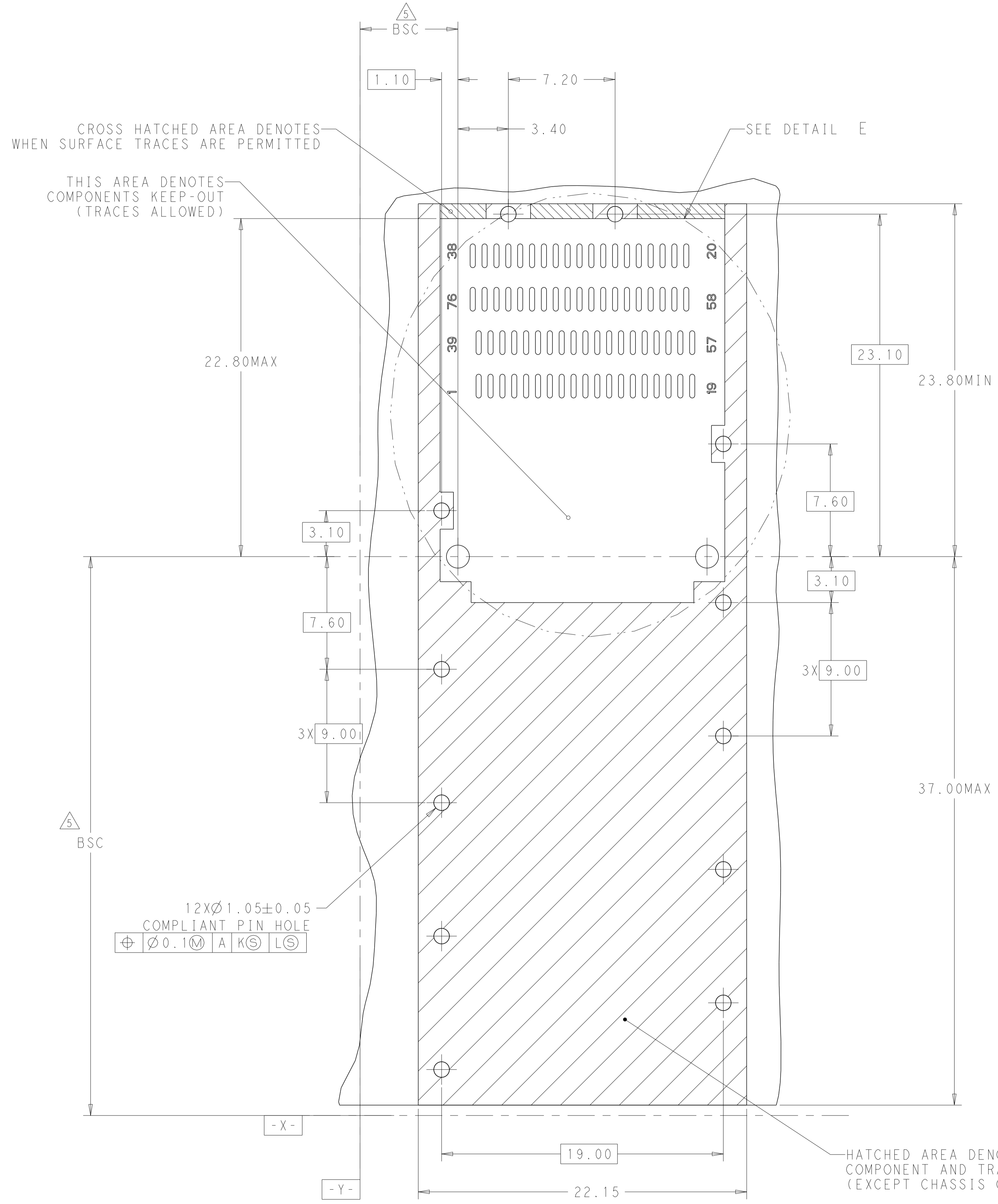


RECOMENDED PCB LAYOUT FOR 112G
DETAILS SEE DRAWING NO.2372133

THIS DRAWING IS A CONTROLLED DOCUMENT.		DMN: ARTHUR JLN 26AUG2024	TE Connectivity
		CHK: SEAN HAN 22AUG2024	
DIMENSIONS:		APVD: SEAN HAN 29AUG2024	NAME: CAGE ASSEMBLY, QSPF-DD, 1X1, SPRING STANDARD W. EXTRUDED HEAT SINK
mm		PRODUCT SPEC: 108-60122	
TOLERANCES UNLESS OTHERWISE SPECIFIED:		APPLICATION SPEC: 114-60025	RESTRICTED TO: -
0 PLC ±0.5		SIZE: A1	CAGE CODE: 00779
1 PLC ±0.13		DRAWING NO: 2342933	SCALE: 2:1
2 PLC ±0.013		SHEET: 10	OF: 12
3 PLC ±0.013		REV: B2	
4 PLC ±0.0001			
ANGLES ±			
FINISH: -			
MATERIAL: TBD		CUSTOMER DRAWING; RESTRICTED CUSTOMER	

LOC	DIST	REV	DATE	BY	APPD
-	-	1	26AUG2024	ARTHUR JLN	
-	-	2	22AUG2024	SEAN HAN	
-	-	3	29AUG2024	SEAN HAN	

NOTES: RECOMMENDED PCB LAYOUT FOR 112G

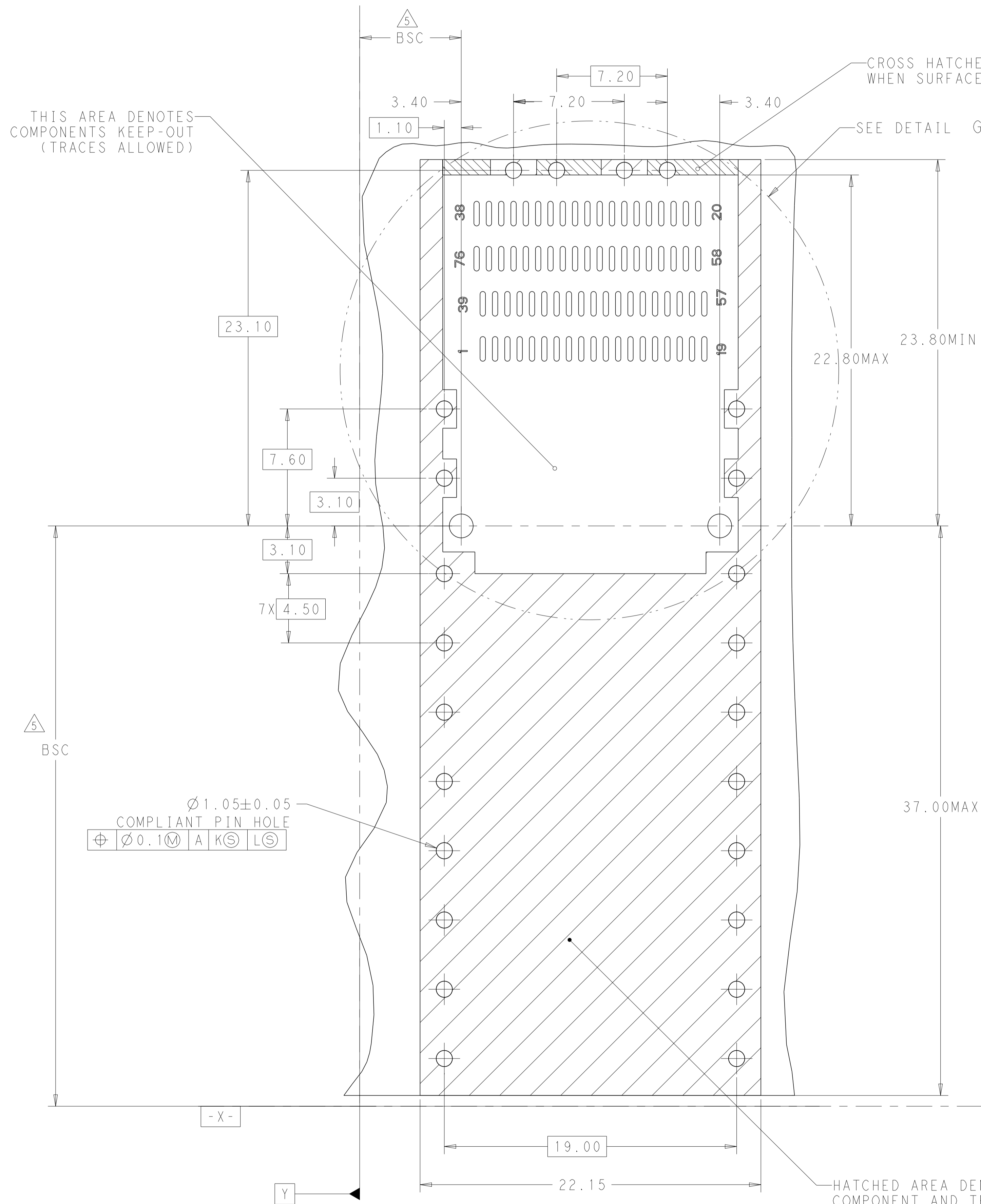


RECOMMENDED PCB LAYOUT
 SINGLE TYPE OF 2 REAR HOLES OF LEGS
 PCB TOLERANCE: ± 0.05
 SCALE 6:1

THIS DRAWING IS A CONTROLLED DOCUMENT.		OWN: ARTHUR JLN 26AUG2024	TE Connectivity												
DIMENSIONS: mm		CHK: SEAN HAN 22AUG2024													
TOLERANCES UNLESS OTHERWISE SPECIFIED:		APPD: SEAN HAN 29AUG2024	NAME: CAGE ASSEMBLY, QSPF-DD, 1X1, SPRING STANDARD W. EXTRUDED HEAT SINK												
<table border="1"> <tr><td>0 PLC</td><td>±</td></tr> <tr><td>1 PLC</td><td>±0.5</td></tr> <tr><td>2 PLC</td><td>±0.13</td></tr> <tr><td>3 PLC</td><td>±0.013</td></tr> <tr><td>4 PLC</td><td>±0.001</td></tr> <tr><td>ANGLES</td><td>±</td></tr> </table>		0 PLC	±	1 PLC	±0.5	2 PLC	±0.13	3 PLC	±0.013	4 PLC	±0.001	ANGLES	±	PRODUCT SPEC: 108-60122	SIZE: A1
0 PLC	±														
1 PLC	±0.5														
2 PLC	±0.13														
3 PLC	±0.013														
4 PLC	±0.001														
ANGLES	±														
MATERIAL: TBD		APPLICATION SPEC: 114-60025	CAGE CODE: 2342933												
FINISH: -		WEIGHT: -	RESTRICTED TO: -												
CUSTOMER DRAWING; RESTRICTED CUSTOMER		SCALE: 2:1	SHEET 11 OF 12 REV B2												

LOC	DIST	REV	DATE	BY	APPD
-	-	1	-	-	-
REVISIONS			DESCRIPTION	DATE	BY
-			SEE SHEET 1	-	-

NOTES: RECOMMENDED PCB LAYOUT FOR 112G

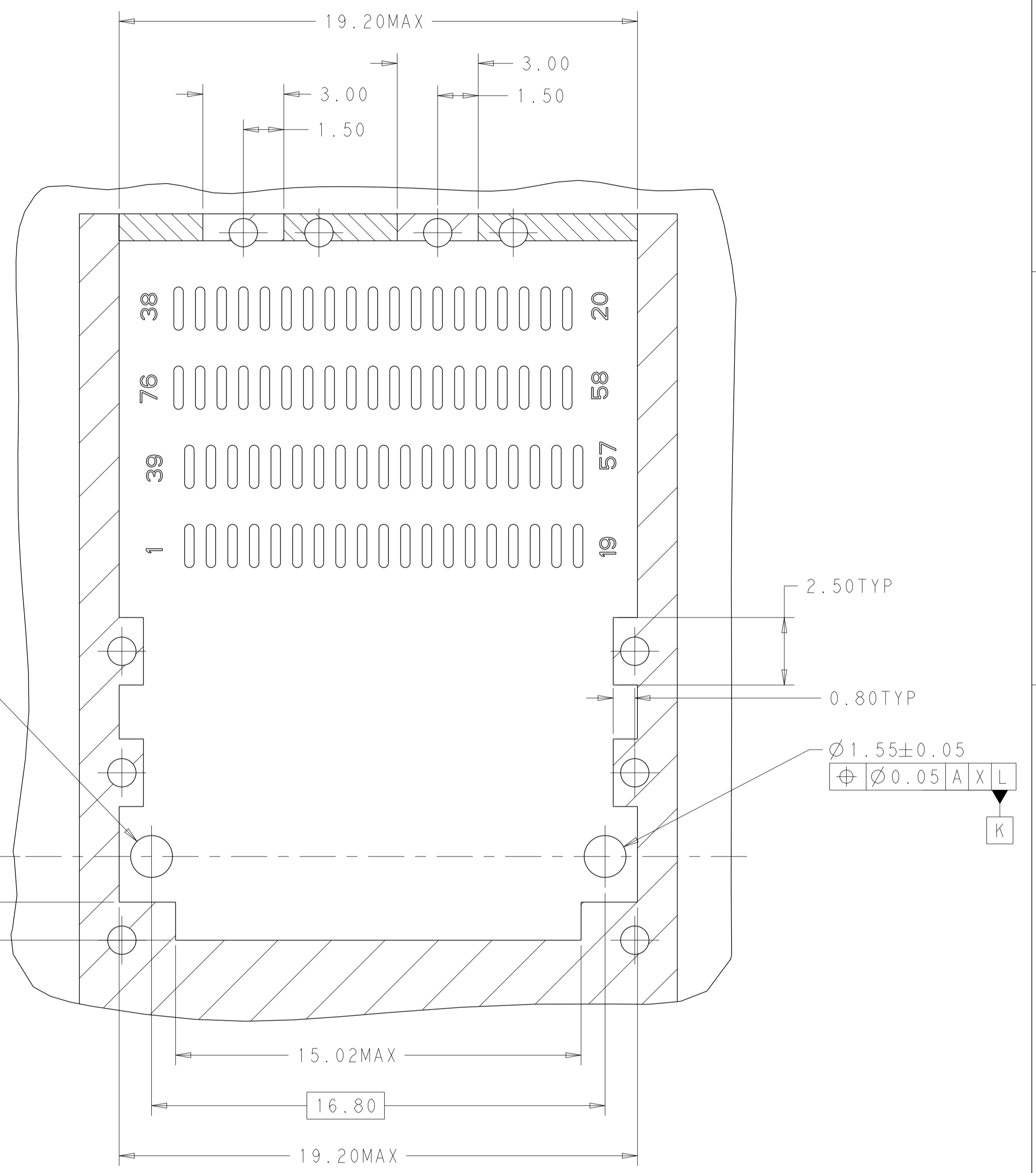


CROSS HATCHED AREA DENOTES WHEN SURFACE TRACES ARE PERMITTED

SEE DETAIL G

$\varnothing 1.55 \pm 0.05$
 $\varnothing 0.05$ A X Y
 L

1.69MAX
 3.10MAX



DETAIL G
 SCALE 8:1

$\varnothing 1.55 \pm 0.05$
 $\varnothing 0.05$ A X Y
 K

$\varnothing 1.05 \pm 0.05$
 COMPLIANT PIN HOLE
 $\varnothing 0.10$ M A K S L S

RECOMMENDED PCB LAYOUT
 BELLY TO BELLY TYPE OF 2 REAR HOLES OF LEGS
 PCB TOLERANCE: ± 0.05
 SCALE 6:1

HATCHED AREA DENOTES COMPONENT AND TRACE KEEP-OUT (EXCEPT CHASSIS GROUND)

THIS DRAWING IS A CONTROLLED DOCUMENT.		OWN: ARTHUR JIN 26AUG2024	TE Connectivity
DIMENSIONS: mm		CHK: SEAN HAN 22AUG2024	
TOLERANCES UNLESS OTHERWISE SPECIFIED:		APPD: SEAN HAN 29AUG2024	NAME: CAGE ASSEMBLY, QSPF-DD, 1X1, SPRING STANDARD W. EXTRUDED HEAT SINK
0 PLC ± 0.5	1 PLC ± 0.5	PRODUCT SPEC: 108-60122	SIZE: CAGE CODE DRAWING NO: A100779C=2342933
2 PLC ± 0.13	3 PLC ± 0.013	APPLICATION SPEC: 114-60025	RESTRICTED TO: -
4 PLC ± 0.001	ANGLES ± 0.0001	FINISH: -	WEIGHT: -
MATERIAL: TBD		CUSTOMER DRAWING: RESTRICTED CUSTOMER	SCALE: 2:1 SHEET 12 OF 12 REV B2