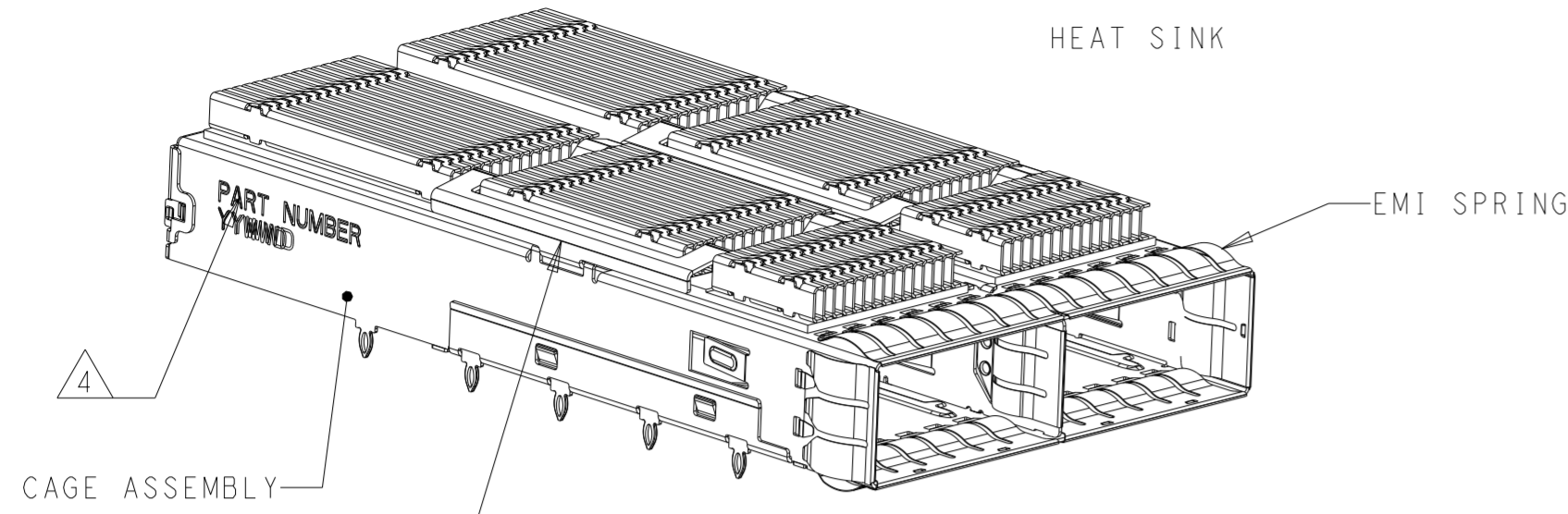
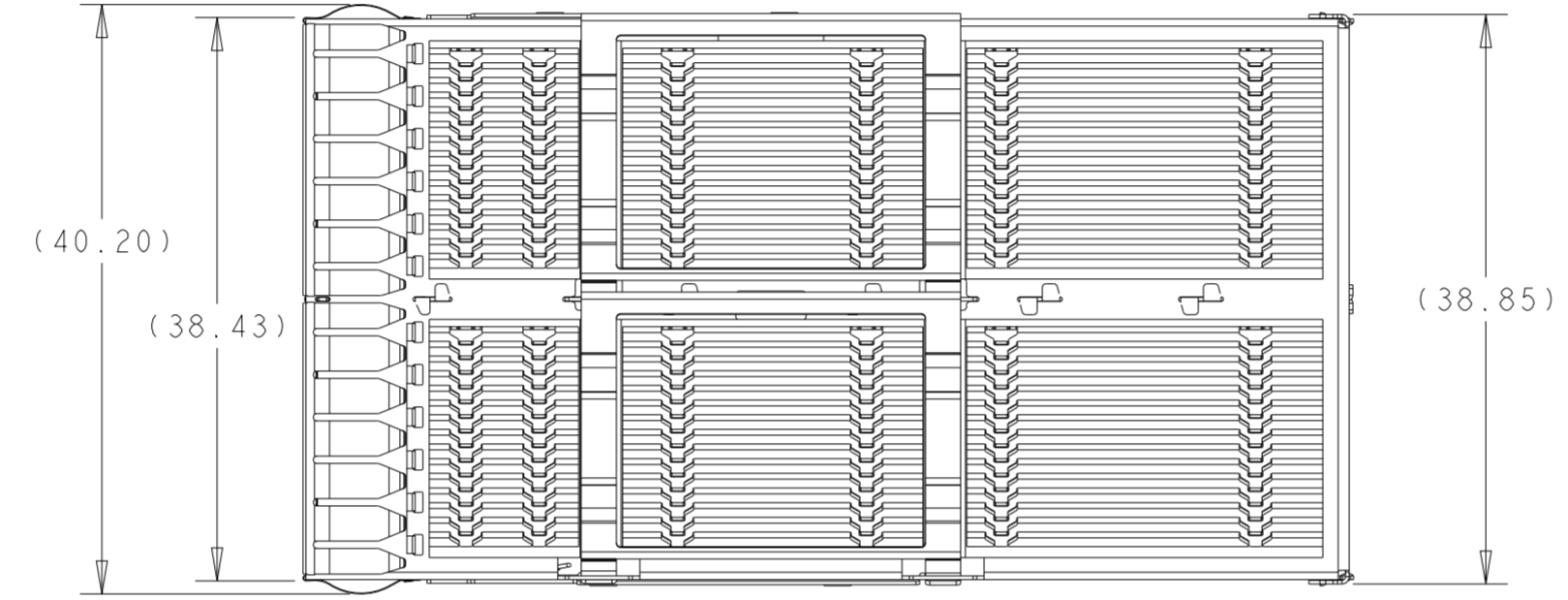


THIS DRAWING IS UNPUBLISHED. RELEASED FOR PUBLICATION 20  
 © COPYRIGHT 20 BY - ALL RIGHTS RESERVED.

REVISIONS				
P	LTR	DESCRIPTION	DATE	APVD
A		INITIAL RELEASE	14JUN2019	AJ SH
A1		ADDED NEW DASH 1-1/1-2/1-3	01NOV2019	AJ SH
A2		REVISED PER ECO-20-014966	20OCT2020	SH SH
A3		REVISED PER ECN-21-108538	28JUN2021	SH SZ

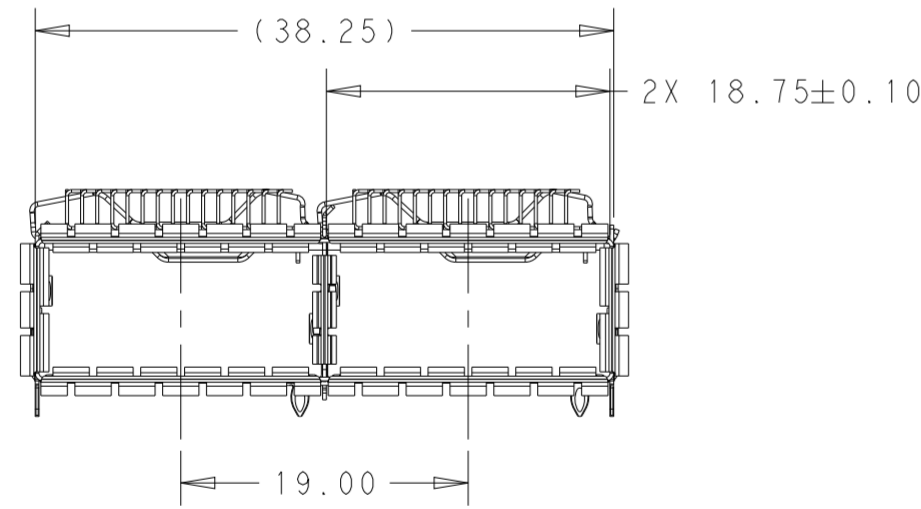


2342936-1 AS SHOWN  
SCALE 2:1

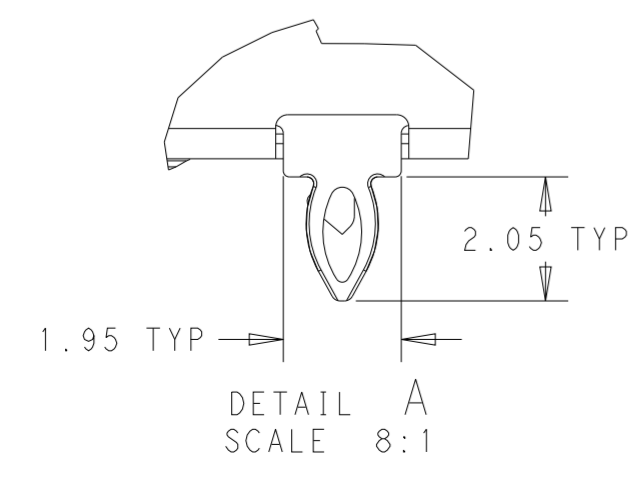
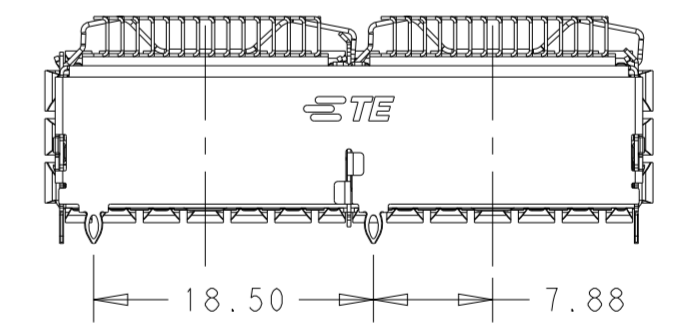
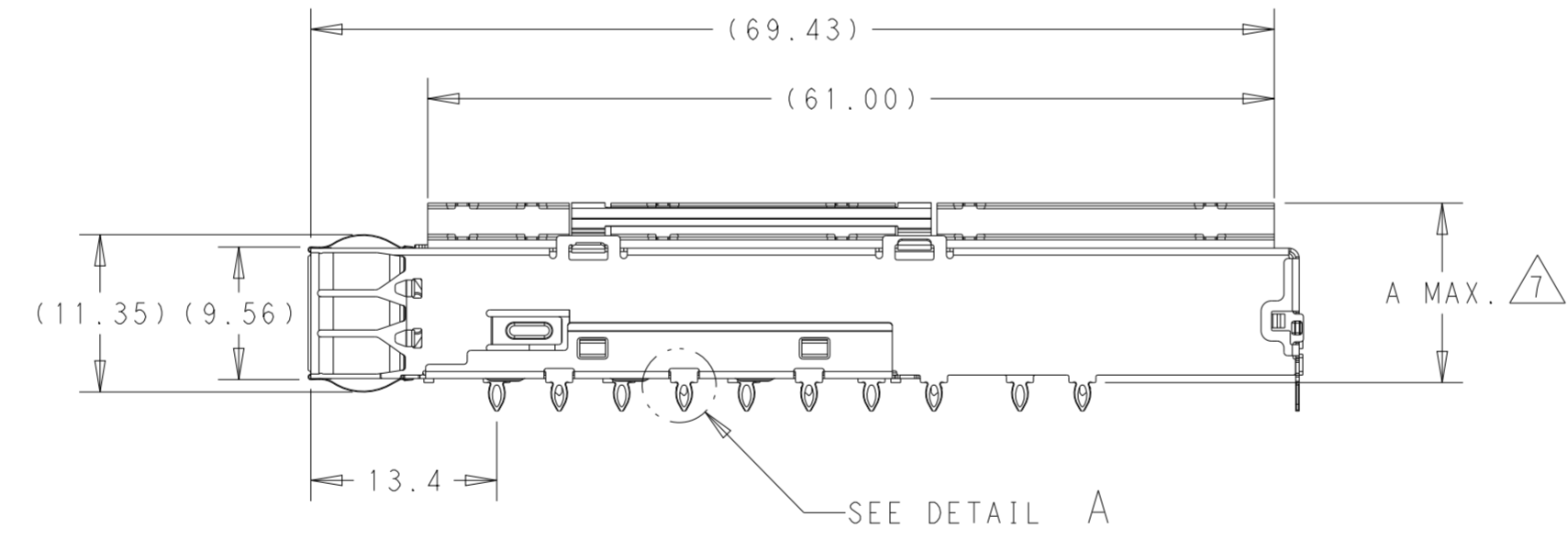


NOTES:

- 1 CAGE ASSEMBLY: STAINLESS STEEL.  
HEAT SINK: ALUMINUM/ NICKEL PLATING.  
HEAT SINK CLIP: STAINLESS STEEL.  
EMI SPRING: COPPER ALLOY/NICKEL PLATE.
- 2 REFERENCE APPLICATION SPECIFICATION 114-60025 FOR RECOMMENDED DRILL HOLE DIAMETER AND PLATING THICKNESS. BOARD LAYOUT PER THIS PRINT.
- 3 DATUM AND BASIC DIMENSION ESTABLISHED BY CUSTOMER.
- 4 PART NUMBER AND DATE CODE (YYWWDD) MARKED APPROXIMATELY AS SHOWN.
- 5. MATES WITH QSFP DD MSA COMPATIBLE TRANSCEIVER.
- 6. MINIMUM PC BOARD THICKNESS: SINGLE SIDED: 1.57 MIN  
DOUBLE SIDED: 3.00 MIN
- 7 DIMENSION APPLIES WITH MODULE INSERTED.



2342936-1 AS SHOWN  
SCALE 2:1

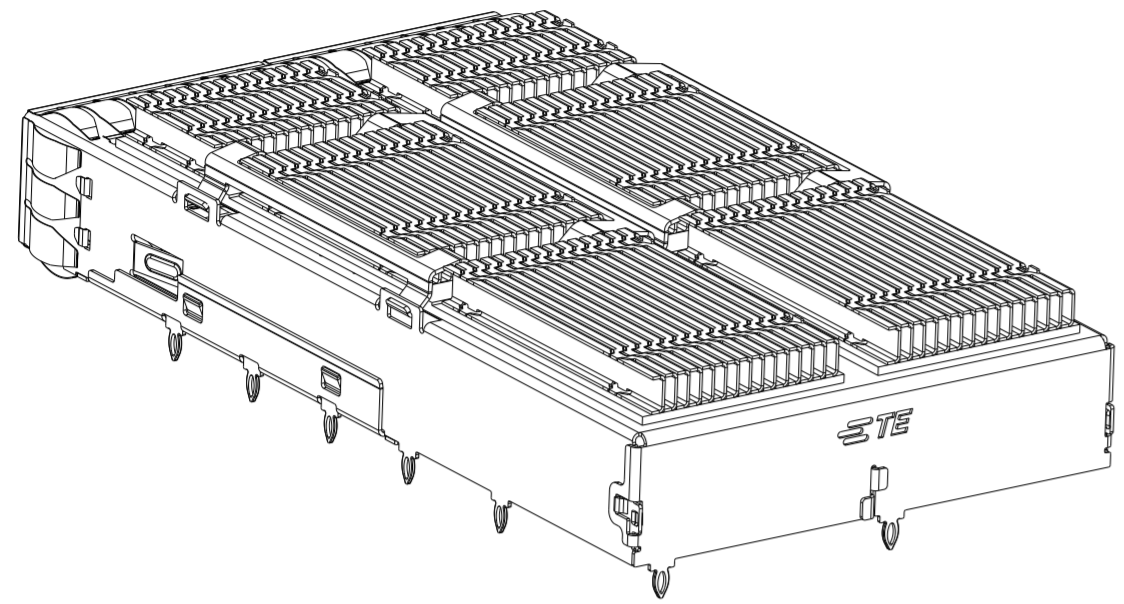


DETAIL A  
SCALE 8:1

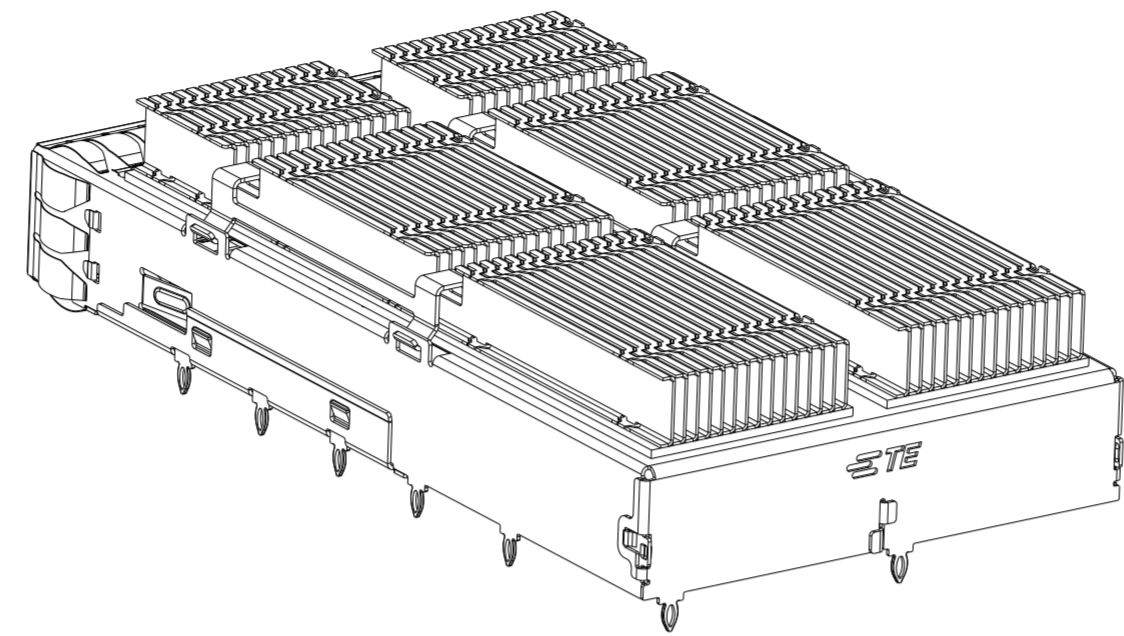
15.05	1	CUSTOMIZED	2-2342936-1
23.00	0	NETWORKING	1-2342936-3
16.00	0	SAN	1-2342936-2
13.70	0	PCI	1-2342936-1
17.50	1	CUSTOMIZED	2342936-4
23.00	1	NETWORKING	2342936-3
16.00	1	SAN	2342936-2
13.70	1	PCI	2342936-1
DIM A	REAR PIN # PER PORT	APPLICATION (HEAT SINK OPTION)	PART NUMBER

THIS DRAWING IS A CONTROLLED DOCUMENT.		DWN ARTHUR JIN 11SEP2018	TE Connectivity	
DIMENSIONS: mm		CHK SEAN HAN 11SEP2018		
TOLERANCES UNLESS OTHERWISE SPECIFIED:		APVD SEAN HAN 11SEP2018	NAME QSFP-DD, 1X2 CAGE ASSEMBLY W-ZIPPER FIN HEAT SINK W-EMI SPRING,	
0 PLC ±0.25		PRODUCT SPEC 108-60122	SIZE A2	
1 PLC ±0.25		APPLICATION SPEC 114-60025	CAGE CODE -	
2 PLC ±0.20		WEIGHT -	DRAWING NO C-2342936	
3 PLC ±0.10		CUSTOMER DRAWING	RESTRICTED TO -	
4 PLC ±		SCALE 1:1	SHEET 1 OF 6	
ANGLES ±		REV A3		
FINISH SEE NOTE				

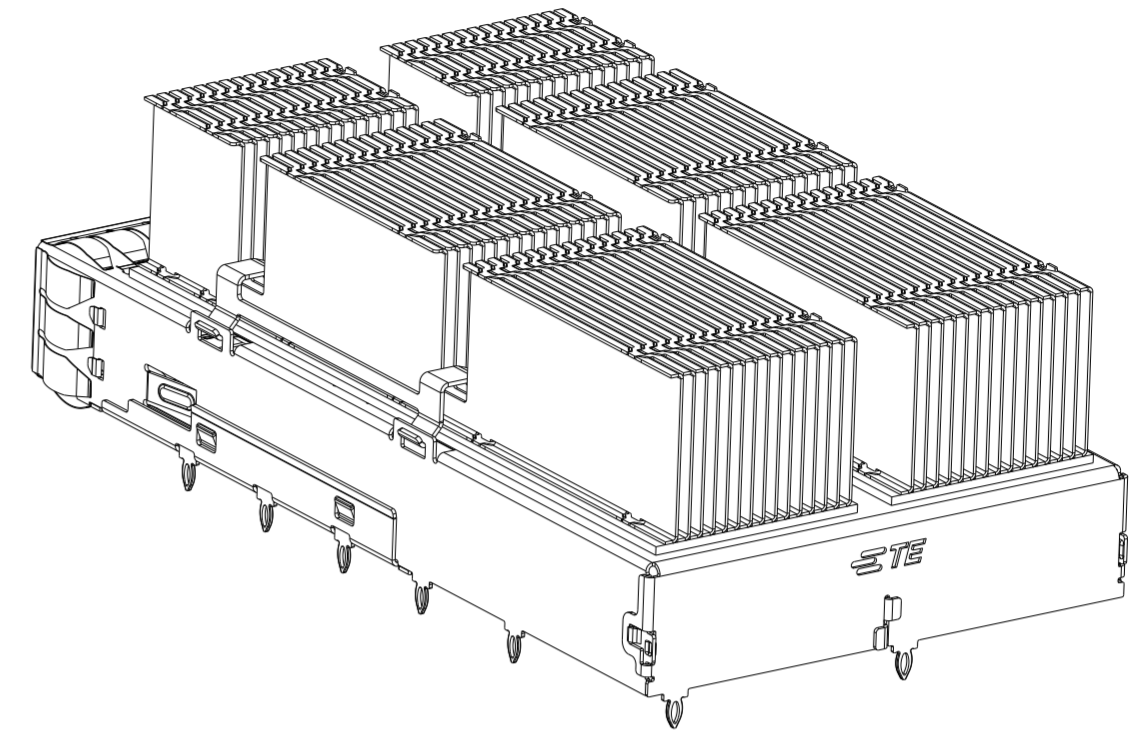
REVISIONS					
P	LTR	DESCRIPTION	DATE	DWN	APVD
-		SEE SHEET 1	-	-	-



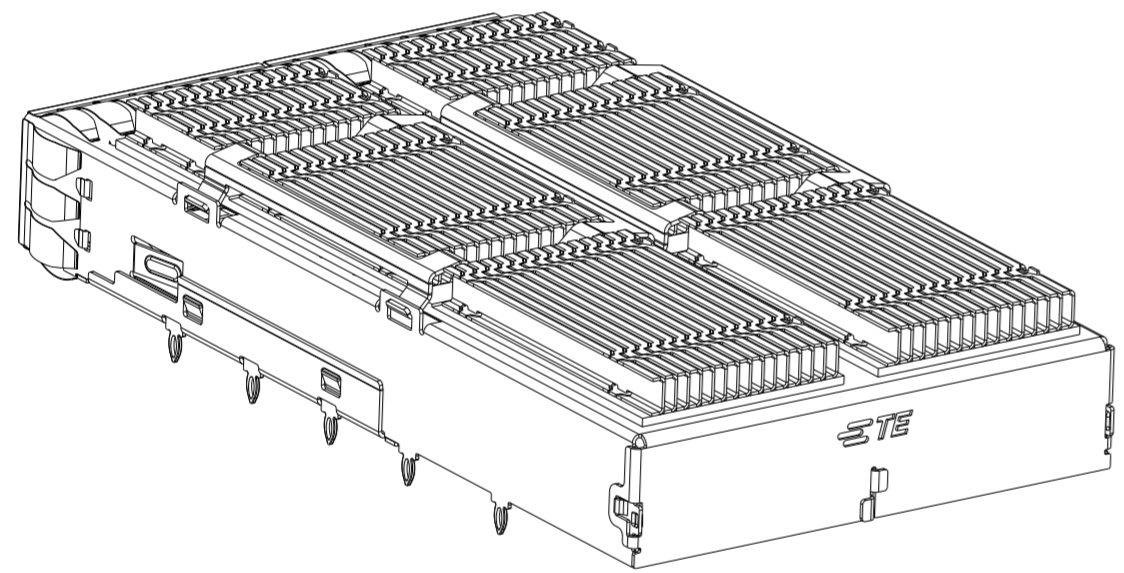
2342936-1 AS SHOWN  
WITH PCI HEAT SINK  
SCALE 2:1



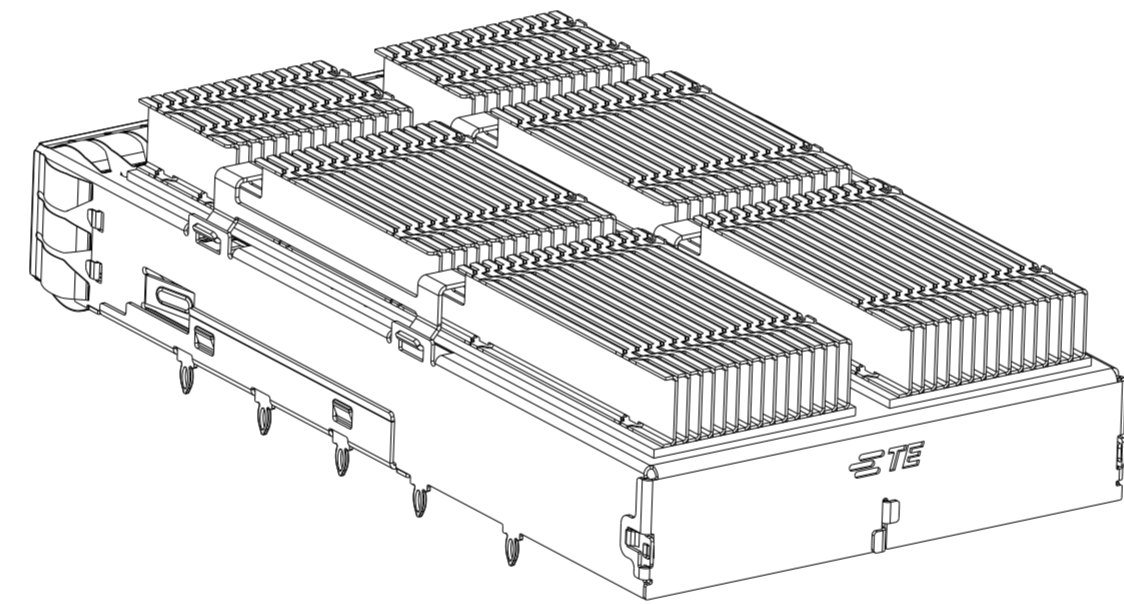
2342936-2 AS SHOWN  
WITH SAN HEAT SINK  
SCALE 2:1



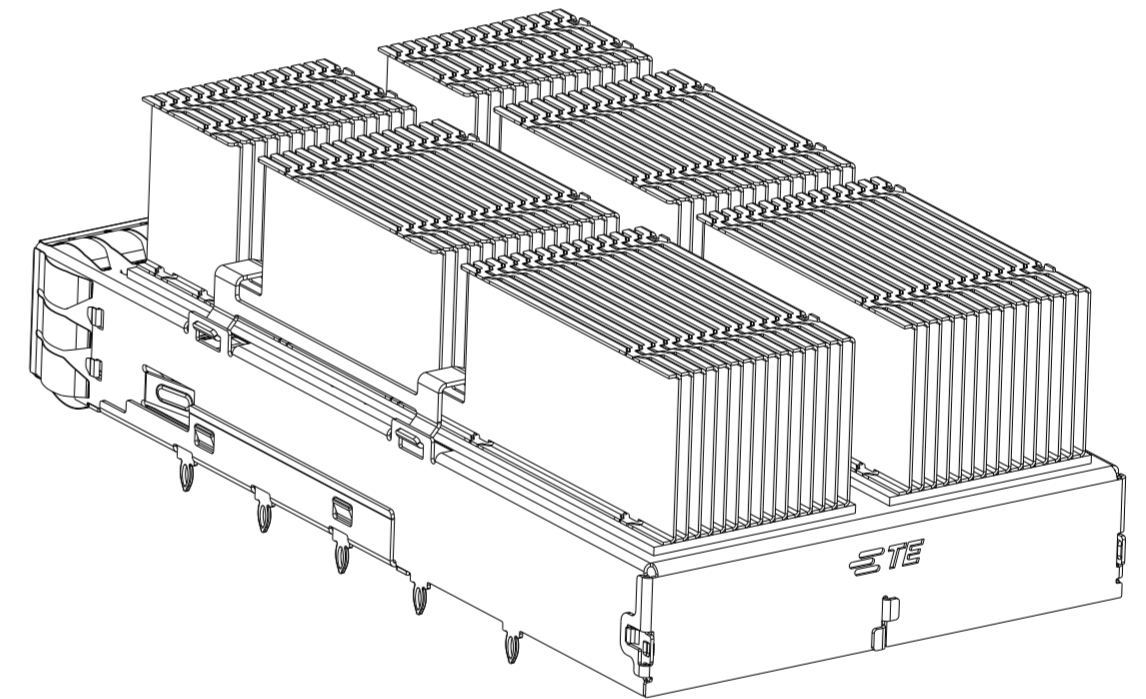
2342936-3 AS SHOWN  
WITH NETWORKING HEAT SINK  
SCALE 2:1



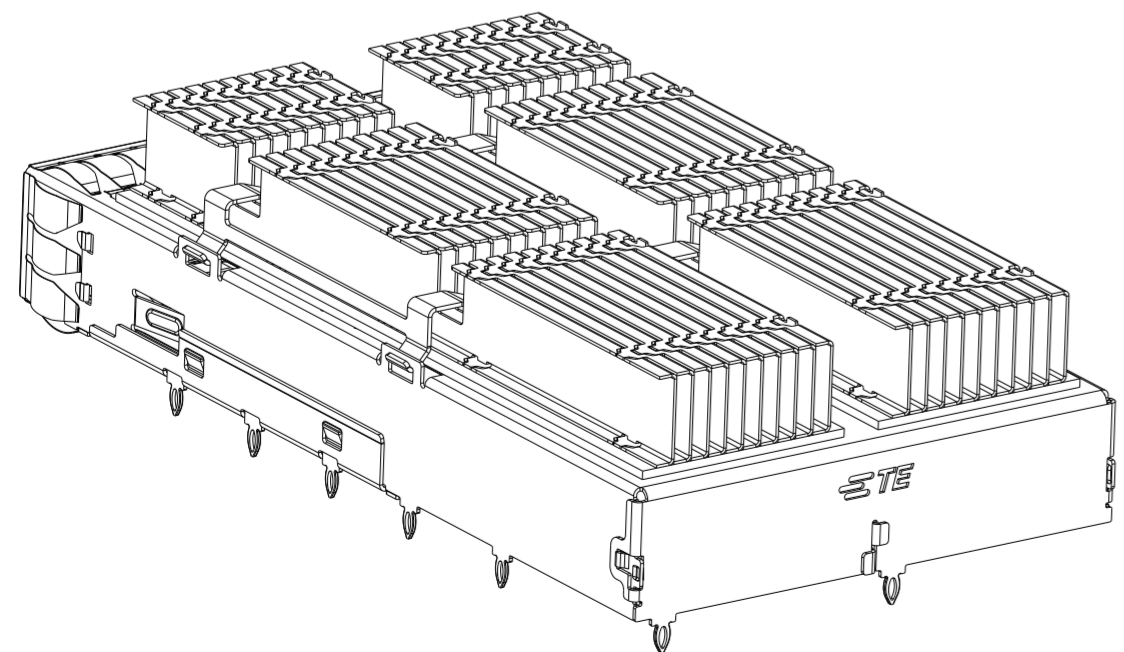
1-2342936-1 AS SHOWN  
WITH PCI HEAT SINK  
W/O REAR PIN  
SCALE 2:1



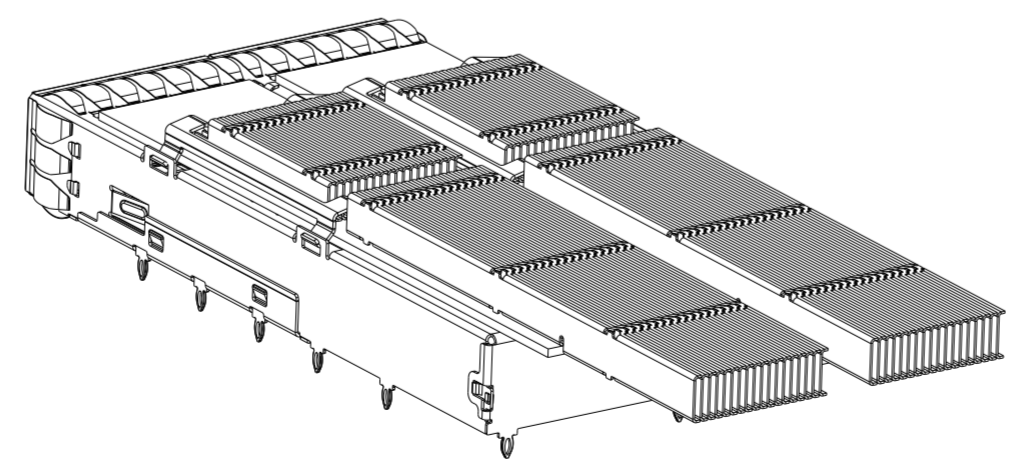
1-2342936-2 AS SHOWN  
WITH SAN HEAT SINK  
W/O REAR PIN  
SCALE 2:1




1-2342936-3 AS SHOWN  
WITH NETWORKING HEAT SINK  
W/O REAR PIN  
SCALE 2:1



2342936-4 SAME AS -2 EXCEPT HS  
SCALE 2:1

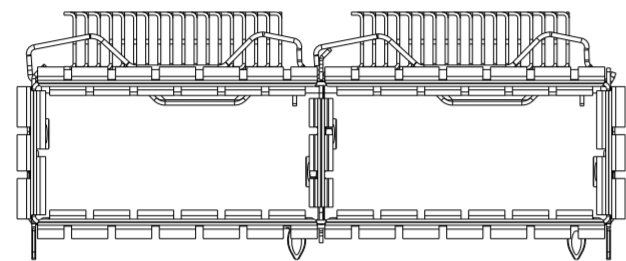


2-2342936-1 SAME AS -1 EXCEPT HS  
SCALE 3:2

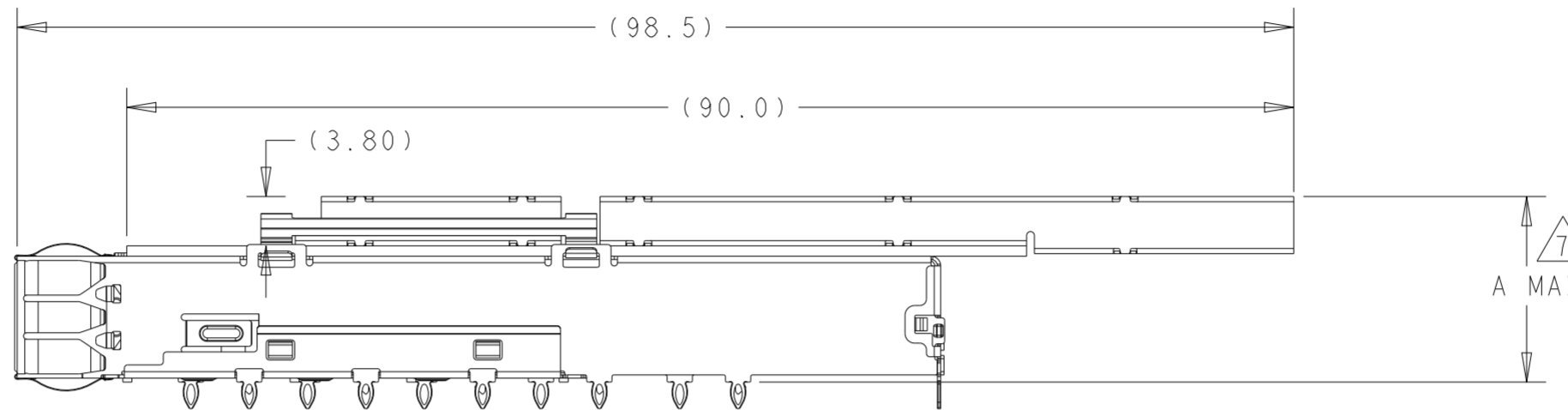
THIS DRAWING IS A CONTROLLED DOCUMENT.		DWN ARTHUR JIN 11SEP2018	 TE Connectivity															
DIMENSIONS: mm		CHK SEAN HAN 11SEP2018																
TOLERANCES UNLESS OTHERWISE SPECIFIED:		APVD SEAN HAN 11SEP2018	NAME QSFP-DD, 1X2 CAGE ASSEMBLY W_ZIPPER FIN HEAT SINK W_ EMI SPRING,															
<table border="0"> <tr> <td>0 PLC</td> <td>±0.25</td> </tr> <tr> <td>1 PLC</td> <td>±0.25</td> </tr> <tr> <td>2 PLC</td> <td>±0.20</td> </tr> <tr> <td>3 PLC</td> <td>±0.10</td> </tr> <tr> <td>4 PLC</td> <td>±</td> </tr> <tr> <td>ANGLES</td> <td>±</td> </tr> <tr> <td>FINISH</td> <td>±</td> </tr> </table>		0 PLC	±0.25	1 PLC	±0.25	2 PLC	±0.20	3 PLC	±0.10	4 PLC	±	ANGLES	±	FINISH	±	PRODUCT SPEC 108-60122	SIZE A2	
0 PLC	±0.25																	
1 PLC	±0.25																	
2 PLC	±0.20																	
3 PLC	±0.10																	
4 PLC	±																	
ANGLES	±																	
FINISH	±																	
MATERIAL SEE NOTE		APPLICATION SPEC 114-60025	DRAWING NO C-2342936															
		WEIGHT -	RESTRICTED TO -															
		CUSTOMER DRAWING	SCALE 1:1 SHEET 2 OF 6 REV A3															


THIS DRAWING IS UNPUBLISHED. RELEASED FOR PUBLICATION 20  
 © COPYRIGHT 20 BY - ALL RIGHTS RESERVED.

REVISIONS				
P	LTR	DESCRIPTION	DATE	APVD
-	-	SEE SHEET 1	-	-



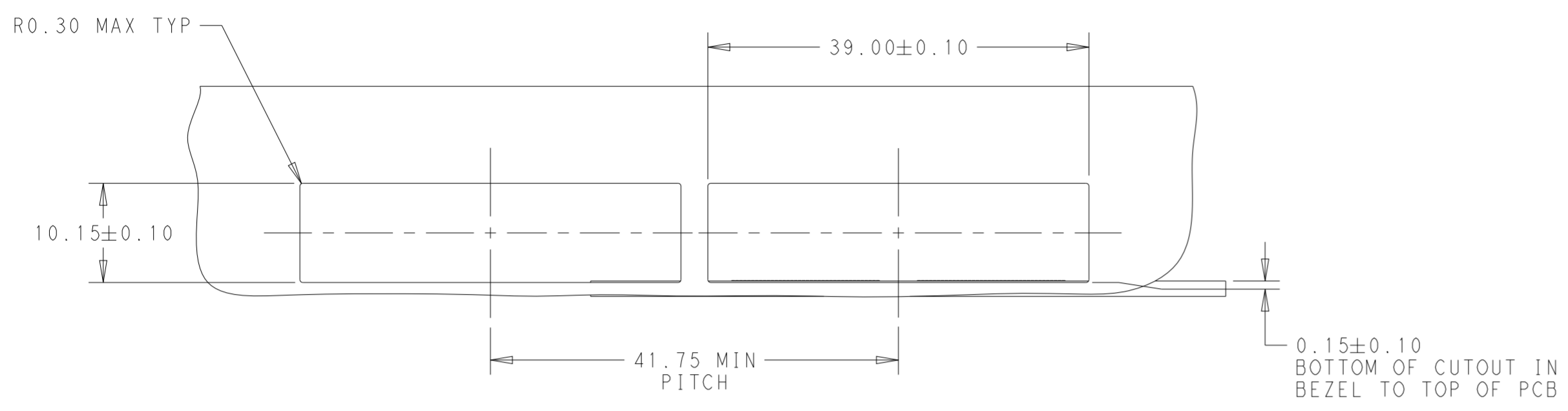
2-2342936-1 AS SHOWN  
 SCALE 2:1



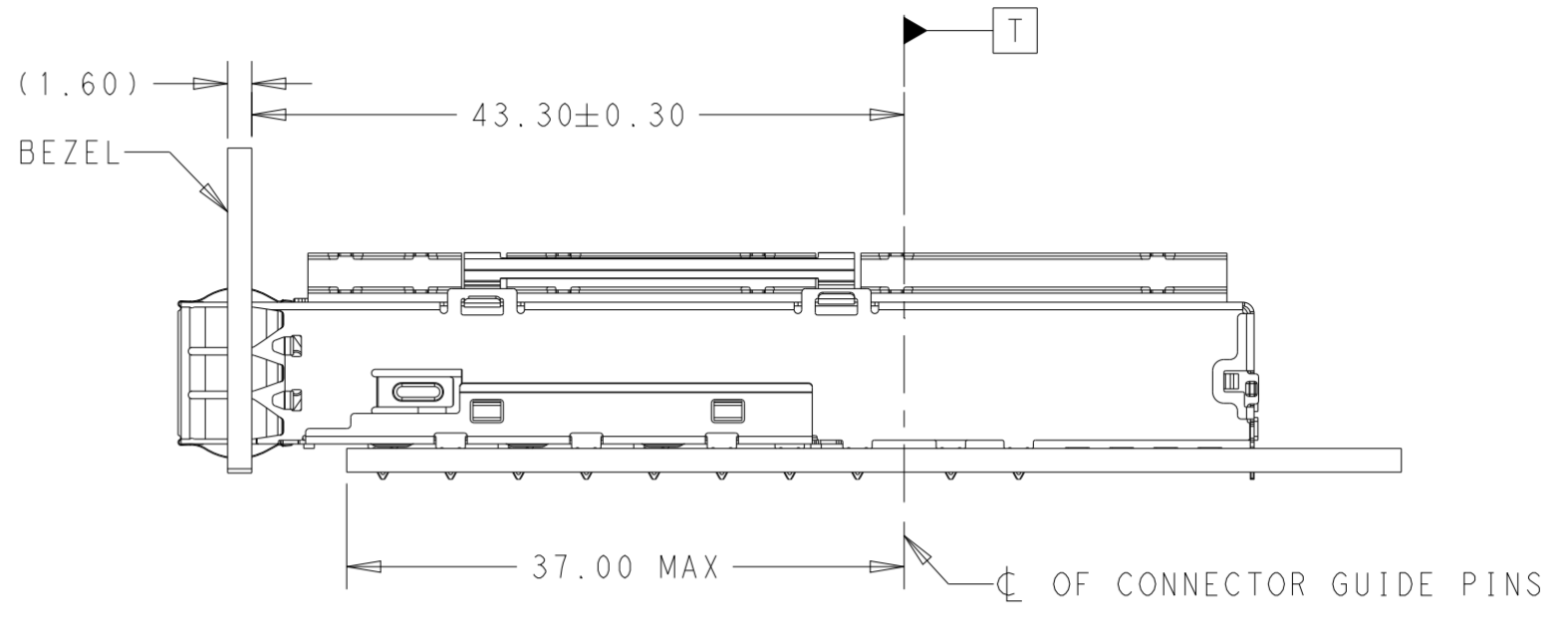
THIS DRAWING IS A CONTROLLED DOCUMENT.		DWN ARTHUR JIN 11SEP2018	 TE Connectivity	
DIMENSIONS: mm		CHK SEAN HAN 11SEP2018		
TOLERANCES UNLESS OTHERWISE SPECIFIED:		APVD SEAN HAN 11SEP2018	NAME QSFP-DD, 1X2 CAGE ASSEMBLY W_ZIPPER FIN HEAT SINK W_ EMI SPRING,	
0 PLC ±0.25 1 PLC ±0.25 2 PLC ±0.20 3 PLC ±0.10 4 PLC ± ANGLES ± FINISH		PRODUCT SPEC 108-60122	SIZE A2	CAGE CODE -
MATERIAL SEE NOTE		APPLICATION SPEC 114-60025	DRAWING NO C-2342936	RESTRICTED TO -
SEE NOTE		WEIGHT -	SCALE 1:1	SHEET 3 OF 6
-		CUSTOMER DRAWING	REV A3	

THIS DRAWING IS UNPUBLISHED. RELEASED FOR PUBLICATION 20  
 © COPYRIGHT 20 BY - ALL RIGHTS RESERVED.

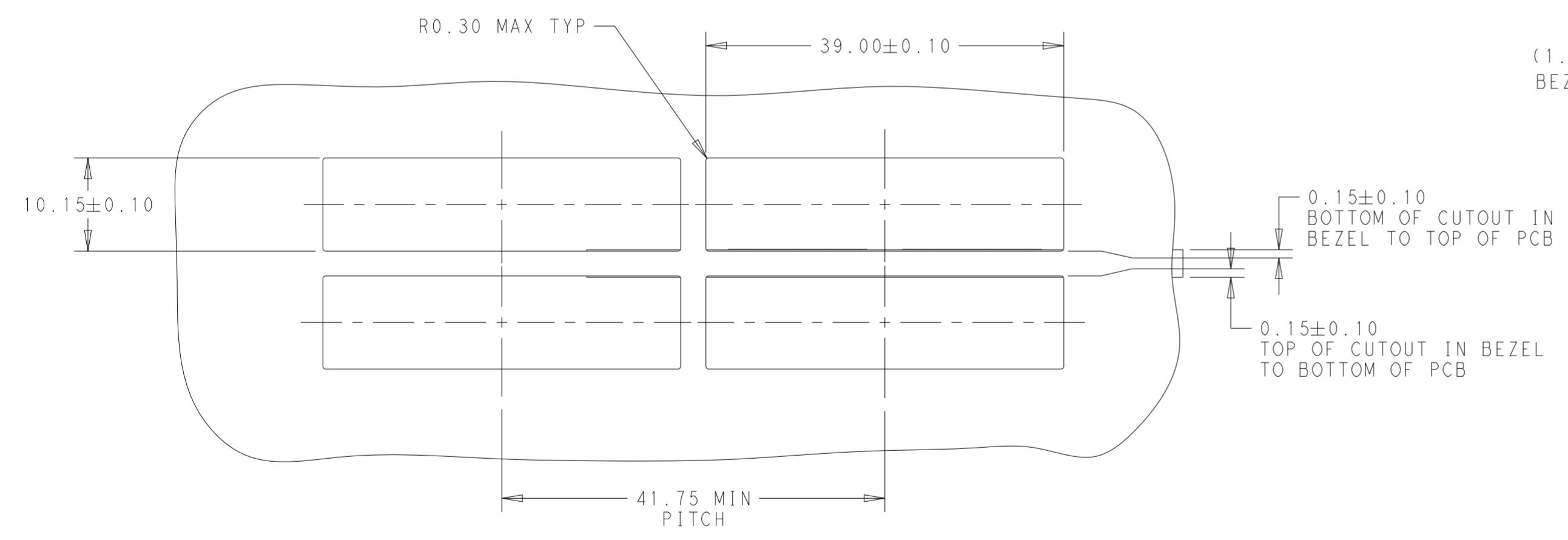
REVISIONS					
P	LTR	DESCRIPTION	DATE	DWN	APVD
-	-	SEE SHEET 1	-	-	-



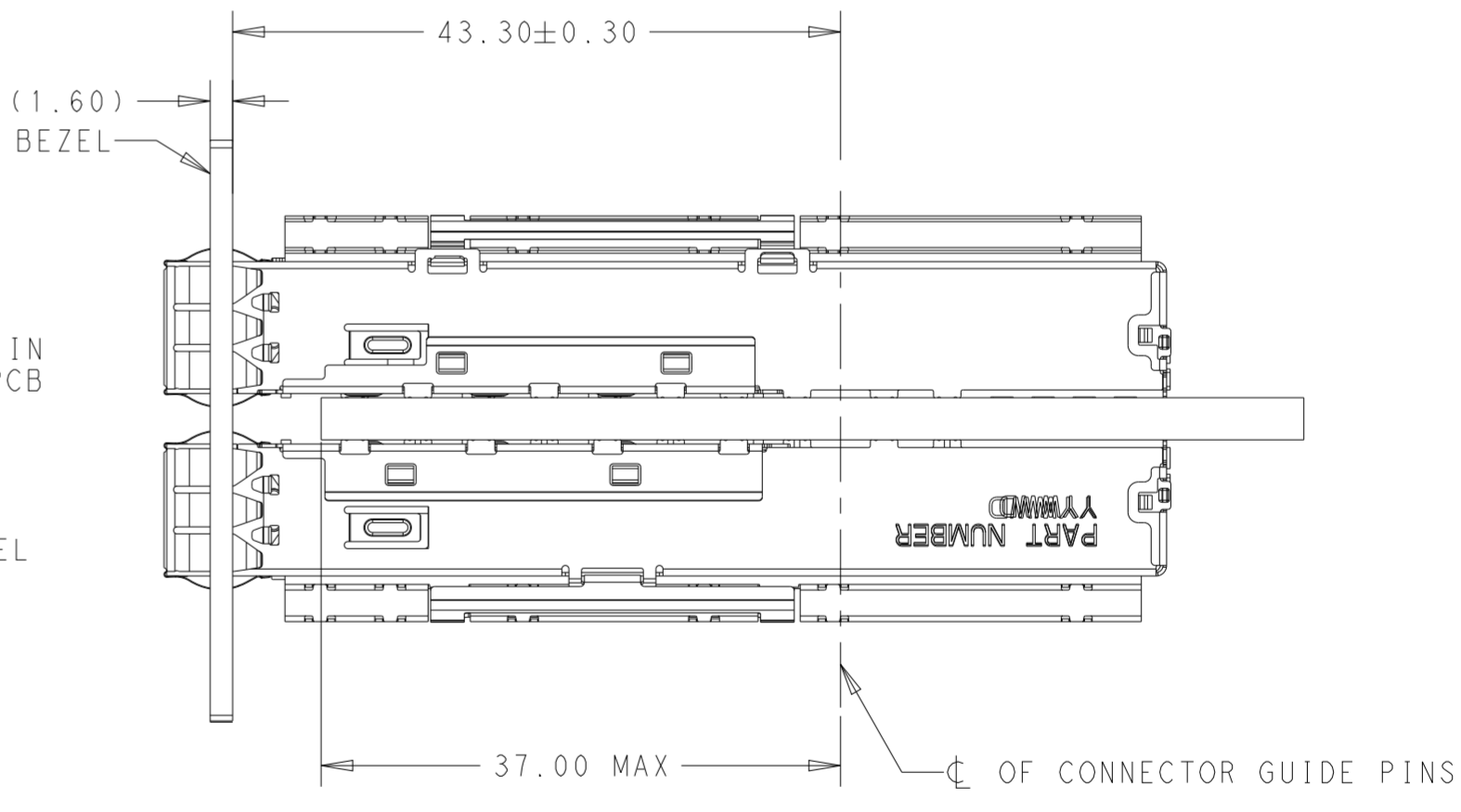
CAGE ASSEMBLY OMITTED FOR CLARITY



SINGLE SIDE MOUNTING



CAGE ASSEMBLY OMITTED FOR CLARITY

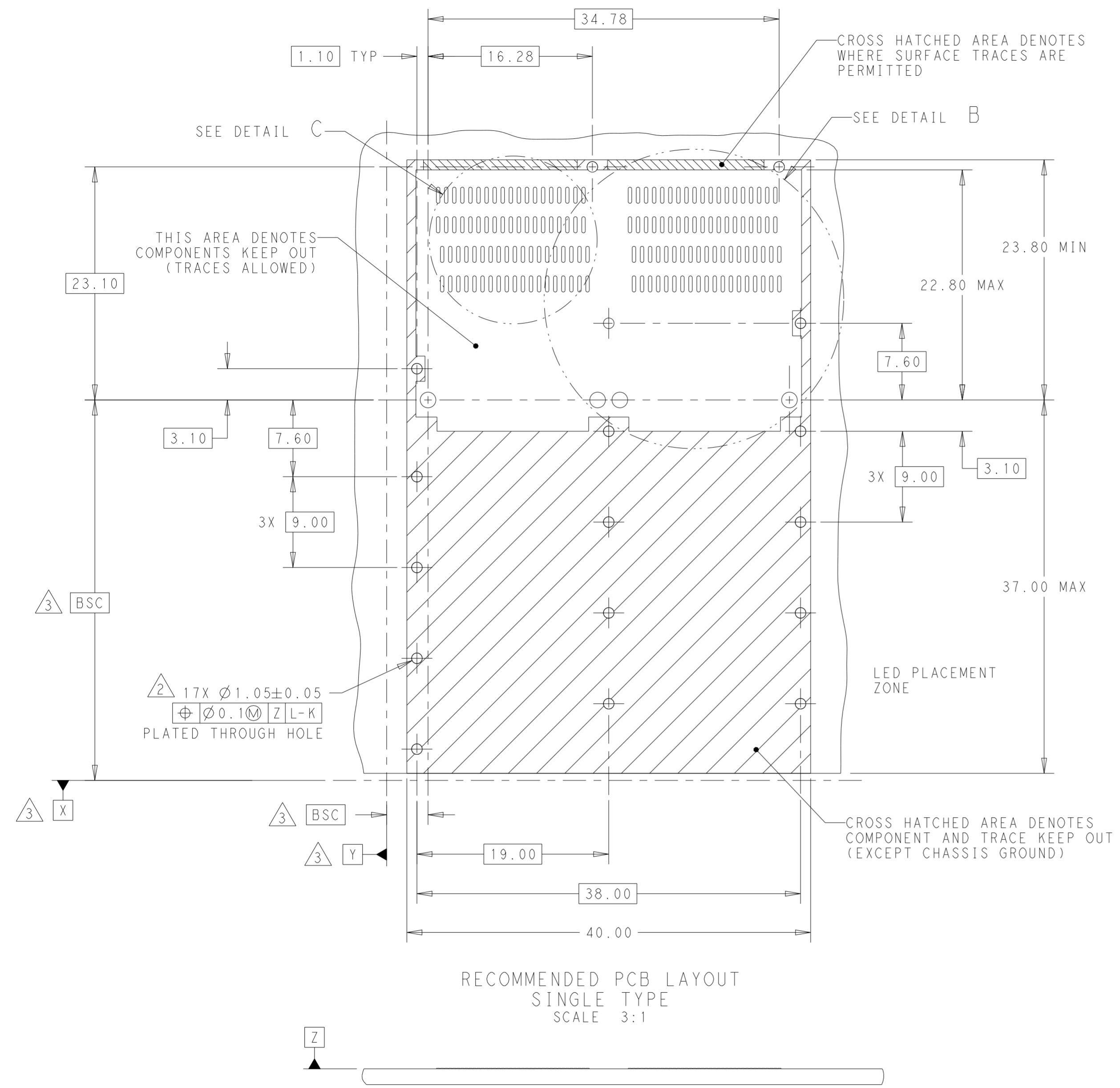


BELLY TO BELLY MOUNTING

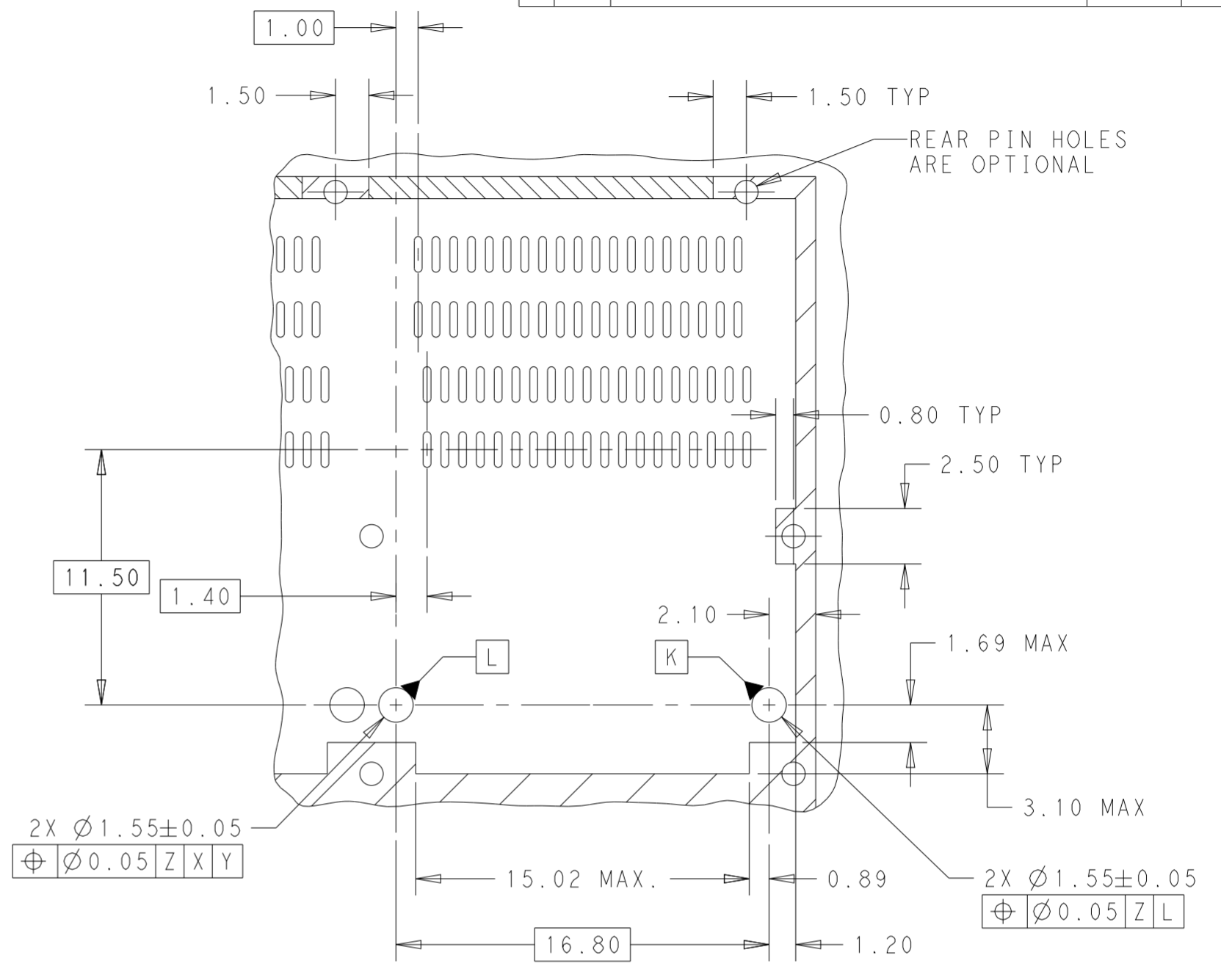
THIS DRAWING IS A CONTROLLED DOCUMENT.		DWN ARTHUR JIN 11SEP2018	TE Connectivity		
DIMENSIONS: mm		CHK SEAN HAN 11SEP2018			
TOLERANCES UNLESS OTHERWISE SPECIFIED:		APVD SEAN HAN 11SEP2018	NAME QSFP-DD, 1X2 CAGE ASSEMBLY W_ZIPPER FIN HEAT SINK W_ EMI SPRING,		
0 PLC ±0.25	1 PLC ±0.25	PRODUCT SPEC 108-60122	SIZE A2	CAGE CODE -	DRAWING NO C-2342936
2 PLC ±0.20	3 PLC ±0.10	APPLICATION SPEC 114-60025	RESTRICTED TO -	SCALE 1:1 SHEET 4 OF 6 REV A3	
4 PLC ±	ANGLES ±	WEIGHT -	CUSTOMER DRAWING		
MATERIAL SEE NOTE		FINISH SEE NOTE			

THIS DRAWING IS UNPUBLISHED. RELEASED FOR PUBLICATION 20  
 © COPYRIGHT 20 BY - ALL RIGHTS RESERVED.

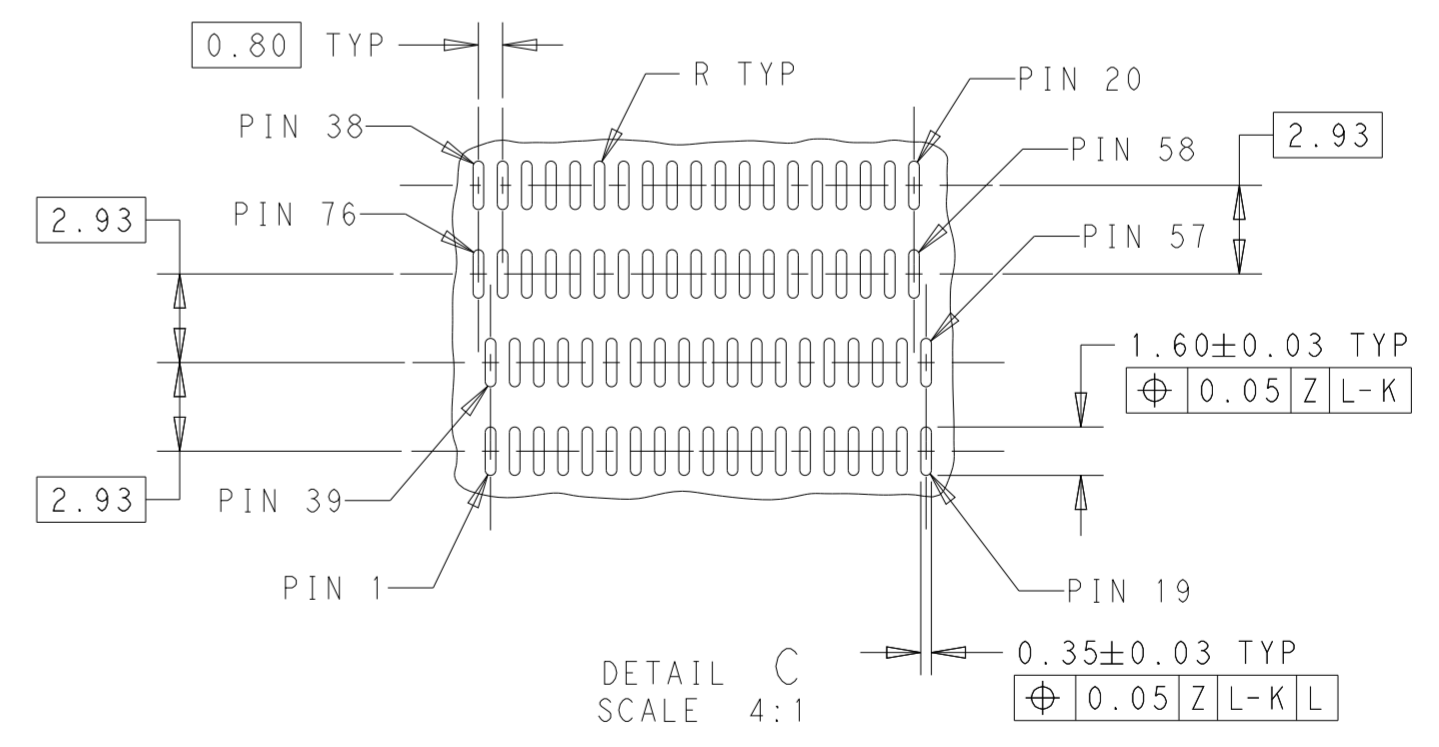
REVISIONS				
P	LTR	DESCRIPTION	DATE	APVD
-	-	SEE SHEET 1	-	-



RECOMMENDED PCB LAYOUT  
 SINGLE TYPE  
 SCALE 3:1



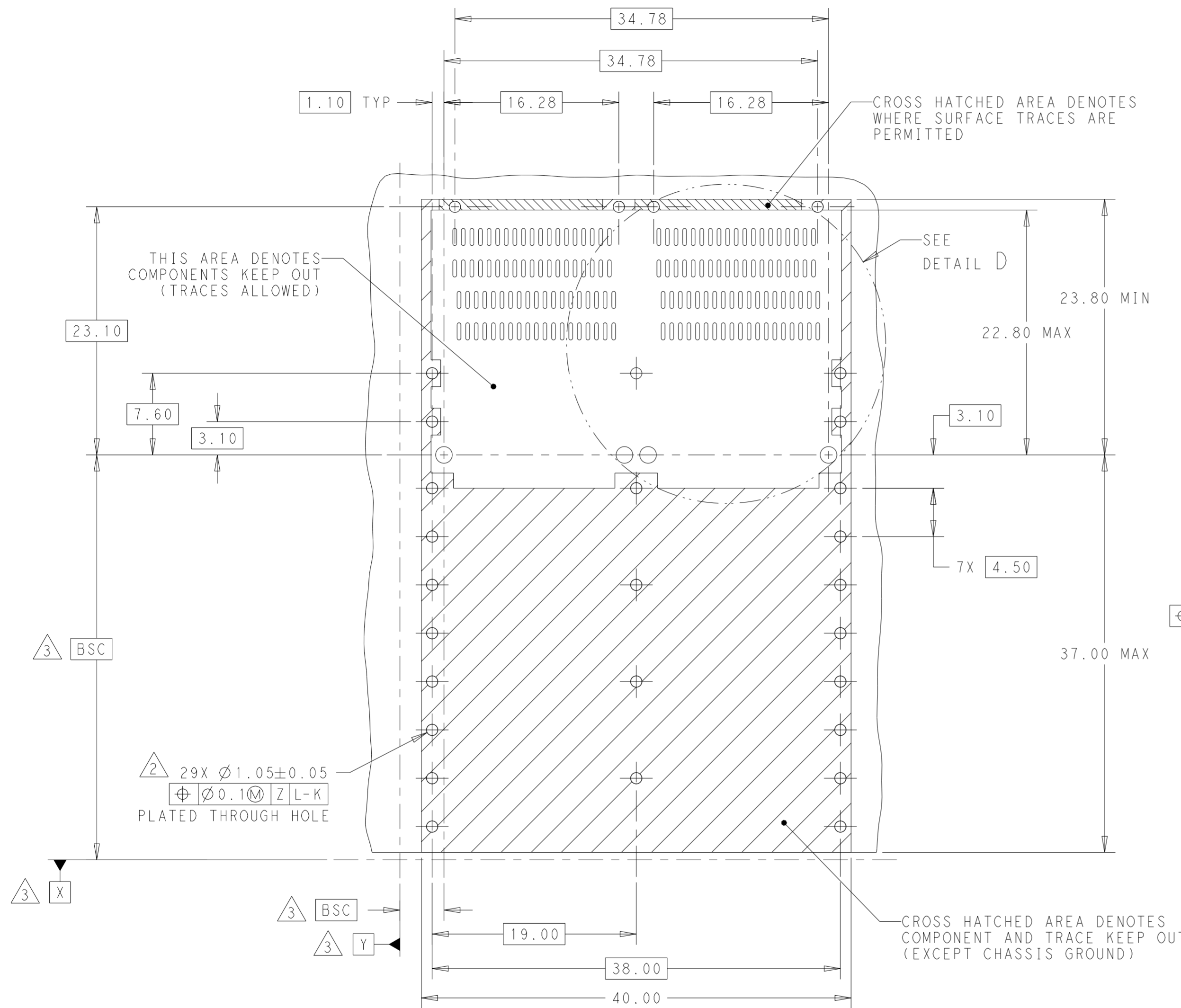
DETAIL B  
 SCALE 4:1



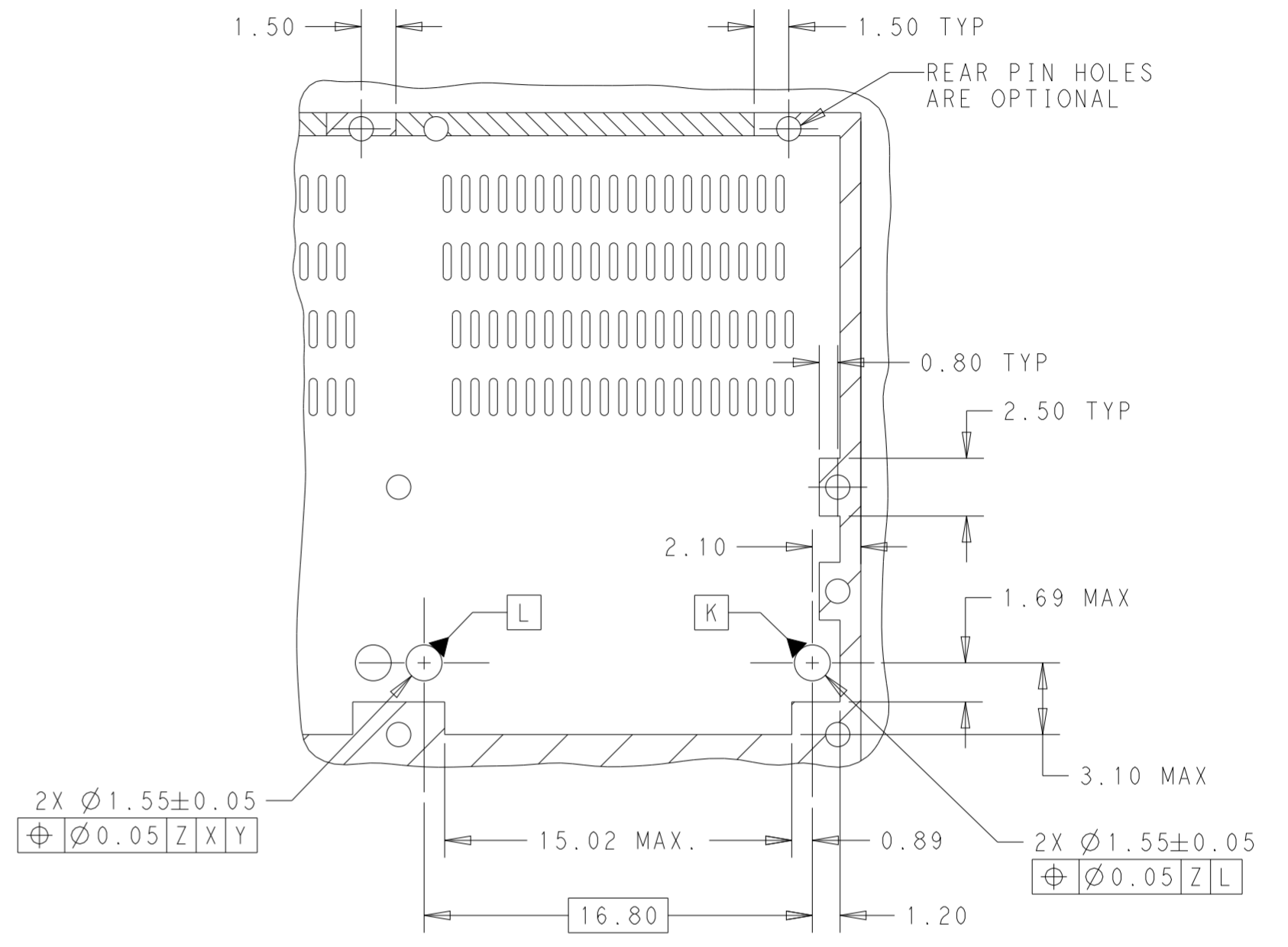
DETAIL C  
 SCALE 4:1

THIS DRAWING IS A CONTROLLED DOCUMENT.		DWN ARTHUR JIN 11SEP2018	TE Connectivity	
DIMENSIONS: mm		CHK SEAN HAN 11SEP2018		
TOLERANCES UNLESS OTHERWISE SPECIFIED:		APVD SEAN HAN 11SEP2018	NAME QSFP-DD, 1X2 CAGE ASSEMBLY W-ZIPPER FIN HEAT SINK W-EMI SPRING,	
0 PLC ±0.25		PRODUCT SPEC 108-60122	SIZE A2	
1 PLC ±0.25		APPLICATION SPEC 114-60025	CAGE CODE -	
2 PLC ±0.20		WEIGHT -	DRAWING NO C-2342936	
3 PLC ±0.10		MATERIAL SEE NOTE	RESTRICTED TO -	
4 PLC ±		FINISH SEE NOTE	SCALE 1:1	
ANGLES ±		CUSTOMER DRAWING	SHEET 5 OF 6	
FINISH ±			REV A3	

REVISIONS					
P	LTR	DESCRIPTION	DATE	DWN	APVD
-	-	SEE SHEET 1	-	-	-



RECOMMENDED PCB LAYOUT  
 BELLY TO BELLY  
 SCALE 3:1



DETAIL D  
 SCALE 4:1

THIS DRAWING IS A CONTROLLED DOCUMENT.		DWN 11SEP2018 ARTHUR JIN	TE Connectivity		
DIMENSIONS: mm		CHK 11SEP2018 SEAN HAN			
TOLERANCES UNLESS OTHERWISE SPECIFIED:		APVD 11SEP2018 SEAN HAN	NAME QSFP-DD, 1X2 CAGE ASSEMBLY W_ZIPPER FIN HEAT SINK W_ EMI SPRING,		
0 PLC ±0.25	1 PLC ±0.25	PRODUCT SPEC 108-60122	SIZE A2	CAGE CODE -	DRAWING NO C-2342936
2 PLC ±0.20	3 PLC ±0.10	APPLICATION SPEC 114-60025	RESTRICTED TO -	SCALE 1:1 SHEET 6 OF 6 REV A3	
4 PLC ±	ANGLES ±	WEIGHT -	CUSTOMER DRAWING		
MATERIAL SEE NOTE		FINISH SEE NOTE			