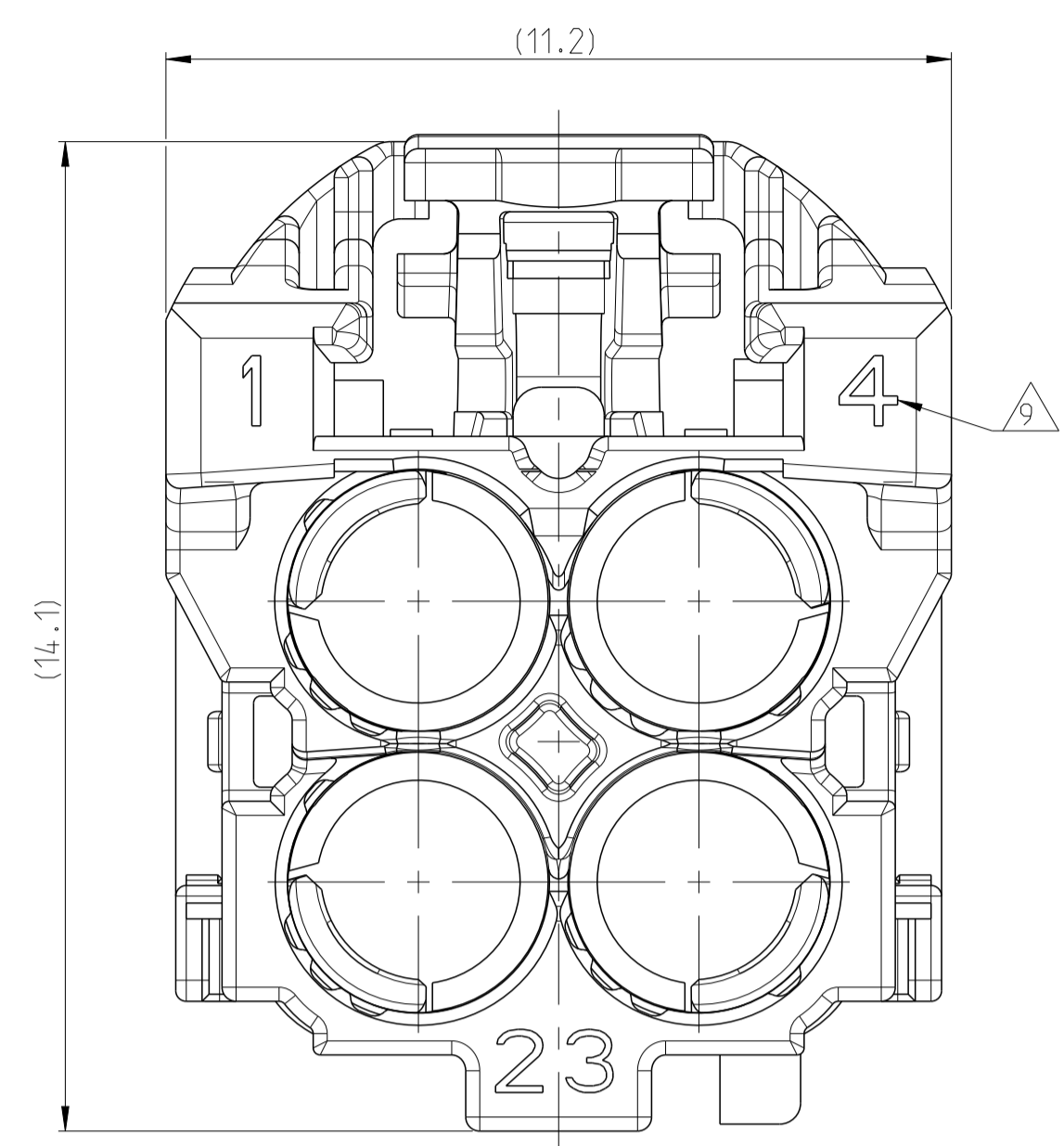
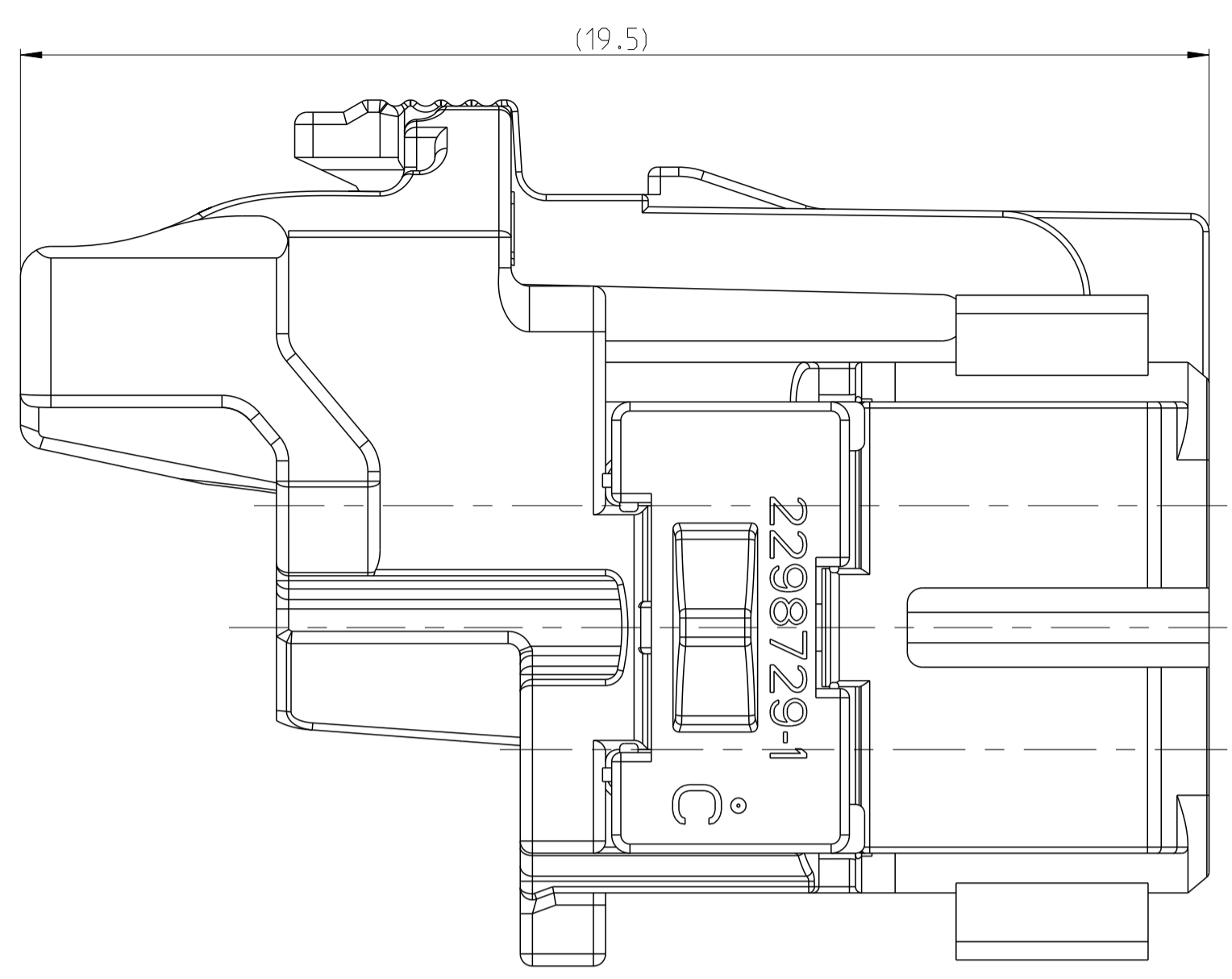
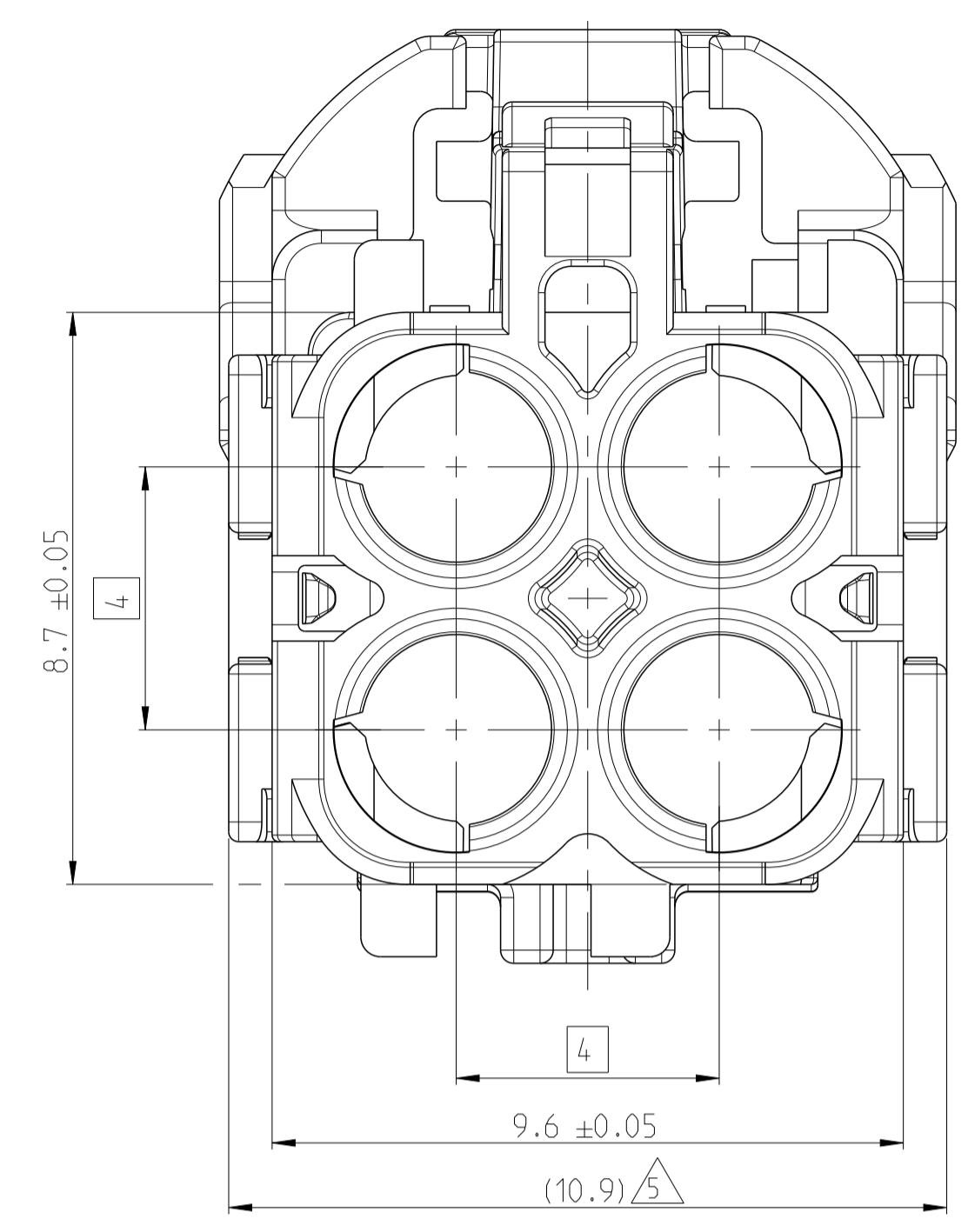


# VARIANT 1 - WITHOUT CPA

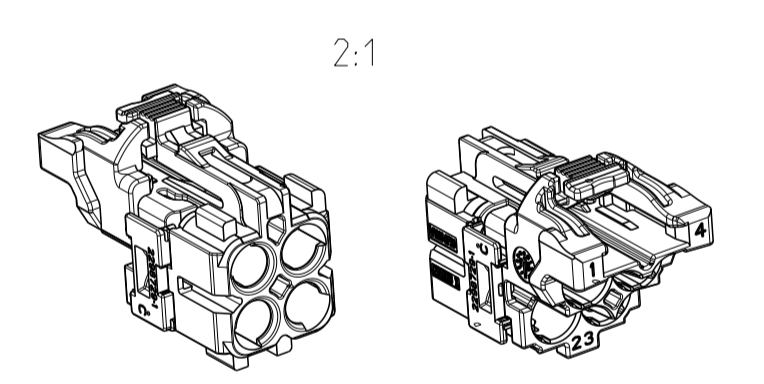
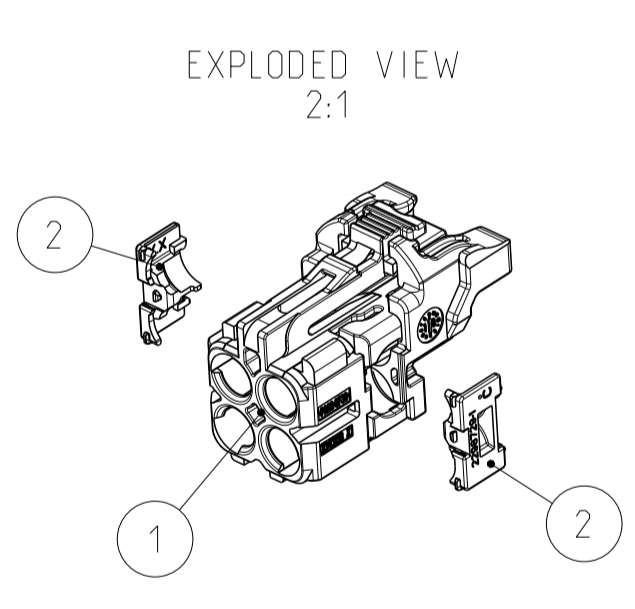
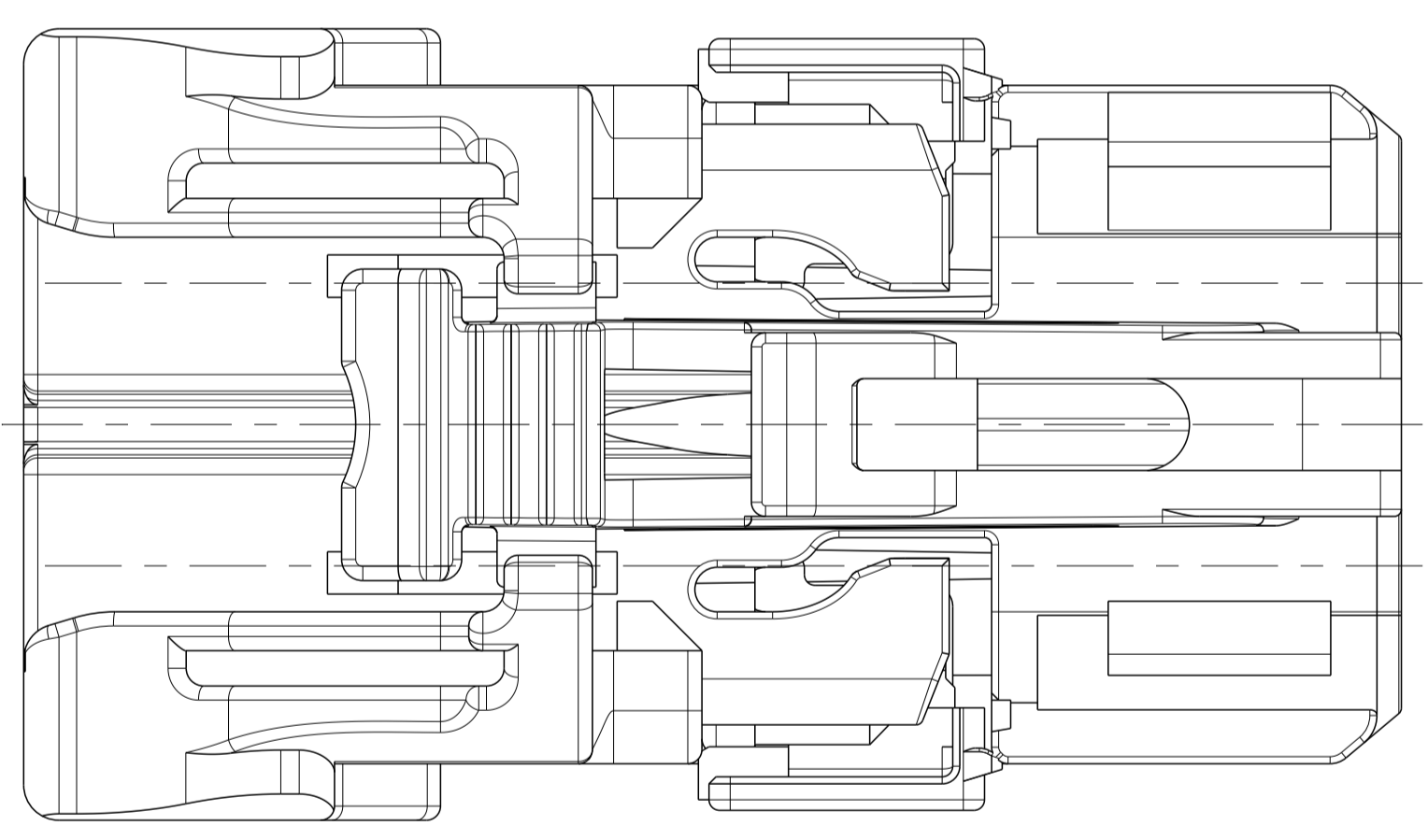
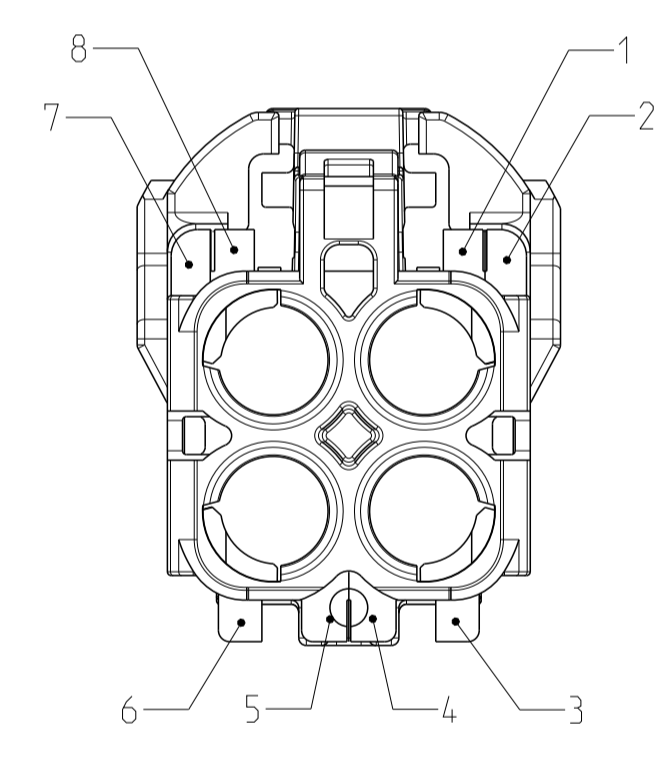
2310139-1 CODING "A" AS SHOWN

REVISIONS				
P.	LTN	DESCRIPTION	DATE	APVD
A		INITIAL RELEASE	28APR2020	GB CS
A1		UPDATED VIEWS AND CODING TABLE	30MAR2021	KM CS
A2		UPDATED VIEWS AFTER DESIGNOPT.	02AUG2022	KM CS

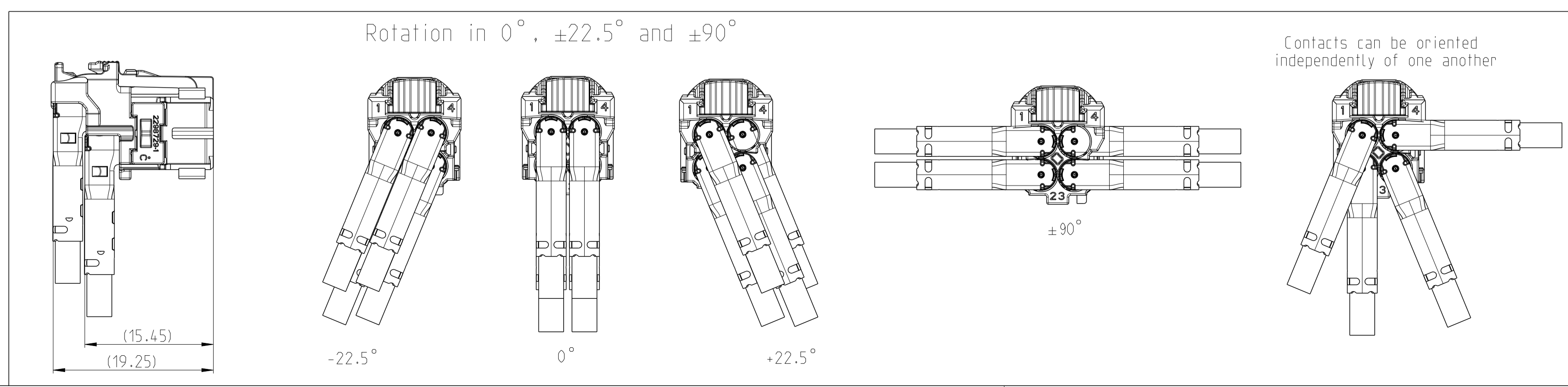


- 1 ONLY THE GERMAN LANGUAGE SHALL BE BINDING  
Massgebend ist der deutsche Text
- 2 DETAILS OF DESIGN ARE LEFT TO TE CONNECTIVITY  
Einzelheiten der Ausführung bleiben TE CONNECTIVITY ueberlassen
- 3 PACKAGING: BULK IN CARDBOARD BOX  
Verpackung: Schuetzguet in Karton
- 4 TE ORDER NO. X-2343139-Y SEE TABLE  
TE-Bestellnummer X-2343139-Y siehe Tabelle
- 5 CONDITION AS SUPPLIED: TPA IN PRE-LOCKED POSITION.  
IF IN ENDLOCKING POSITION OR LOST AFTER TRANSPORTATION.  
REWORK ALLOWED IN ACCORDANCE TO APPLICATION SPECIFICATION.  
Auslieferungszustand: Sekundaersicherung in Vorraststellung.  
Wenn nach Transport endverrastet oder herausgefallen, Nacharbeit  
gemass Verarbeitungs-Spezifikation erlaubt.
- 6 MATCHING TO CONTACT E.G. TE NO. 2350600 AND 2360077  
Passend zu Kontakt z.B. TE-Nr. 2350600 und 2360077
- 7 CONDITION AS SUPPLIED: CPA IN PRE-LOCKED POSITION  
Auslieferungszustand: CPA in Vorraststellung
- 8 CONFECTION TESTS COMBINED WITH CONTACT LEADS  
ARE TO BE MADE WITH RF-ADAPTER 1-523216-0  
Konfektionspruefungen in Verbindung mit Leitungen  
sind durchzufuehren mit HF-Adapter 1-523216-0
- 9 CHAMBER NUMBERING  
Kammer Nummerierung
- 10 CODING VARIANCES SEE TABLE  
Kodierungsvarianten siehe Tabelle

	CODE Z	-
	CODE F	3-4-7-8
	CODE E	1-2-5-6
	CODE D	1-3-6-8
	CODE C	2-4-5-7
	CODE B	1-3-5-7
	CODE A	2-4-6-8



CODINGS, SOCKET SIDE	CODE	CODING
	Code	Kodierung



VARIANT	TE ORDER NO.	REV.	QTY.	COD.	DESCRIPTION	MATERIAL	COLOUR	WEIGHT [g]	POS.
VARIANT 2 WITH CPA	2-2343139-X				SEE SHEET 2				
VARIANT 1 WITHOUT CPA	2343139-9	C	2	Z	TPA	PA66-GF30	TRAFFIC PURPLE	0.85	2
		B	1		HOUSING	PA66-GF30	WATER BLUE		1
	2343139-6	C	2	F	TPA	PA66-GF30	TRAFFIC PURPLE	0.85	2
		B	1		HOUSING	PA66-GF30	NUT BROWN		1
	2343139-5	C	2	E	TPA	PA66-GF30	TRAFFIC PURPLE	0.85	2
		B	1		HOUSING	PA66-GF30	MAY GREEN		1
	2343139-4	C	2	D	TPA	PA66-GF30	TRAFFIC PURPLE	0.85	2
		B	1		HOUSING	PA66-GF30	CLARET VIOLET		1
	2343139-3	C	2	C	TPA	PA66-GF30	TRAFFIC PURPLE	0.85	2
		B	1		HOUSING	PA66-GF30	LIGHT BLUE		1
2343139-2	C	2	B	TPA	PA66-GF30	TRAFFIC PURPLE	0.85	2	
	B	1		HOUSING	PA66-GF30	PURE WHITE		1	
2343139-1	C	2	A	TPA	PA66-GF30	TRAFFIC PURPLE	0.85	2	
	B	1		HOUSING	PA66-GF30	JET BLACK		1	

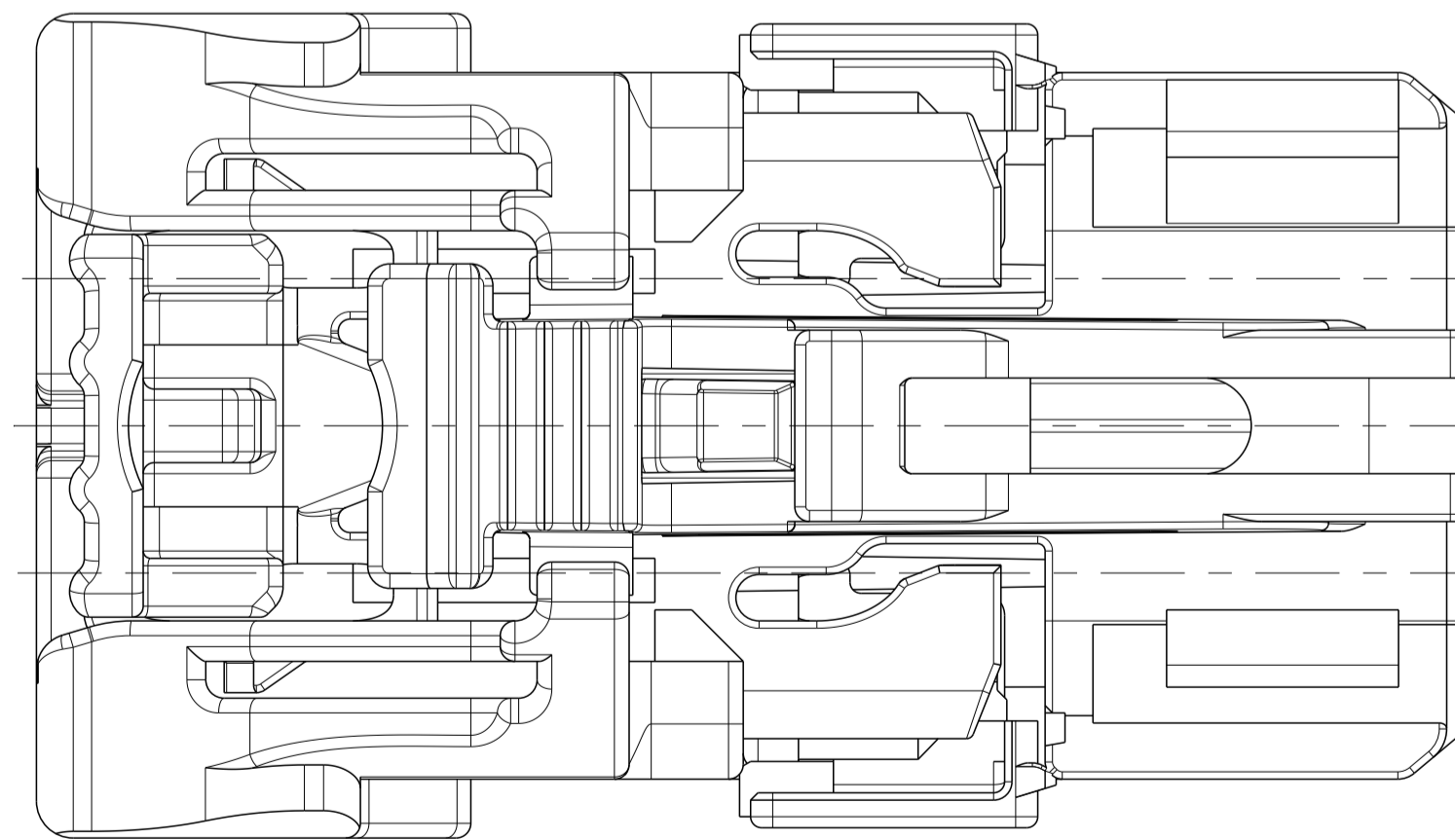
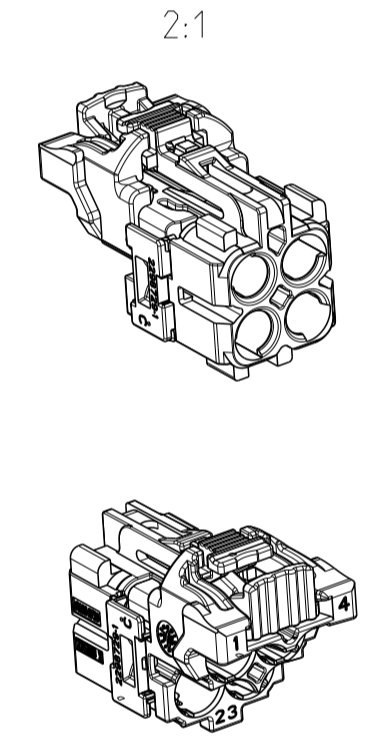
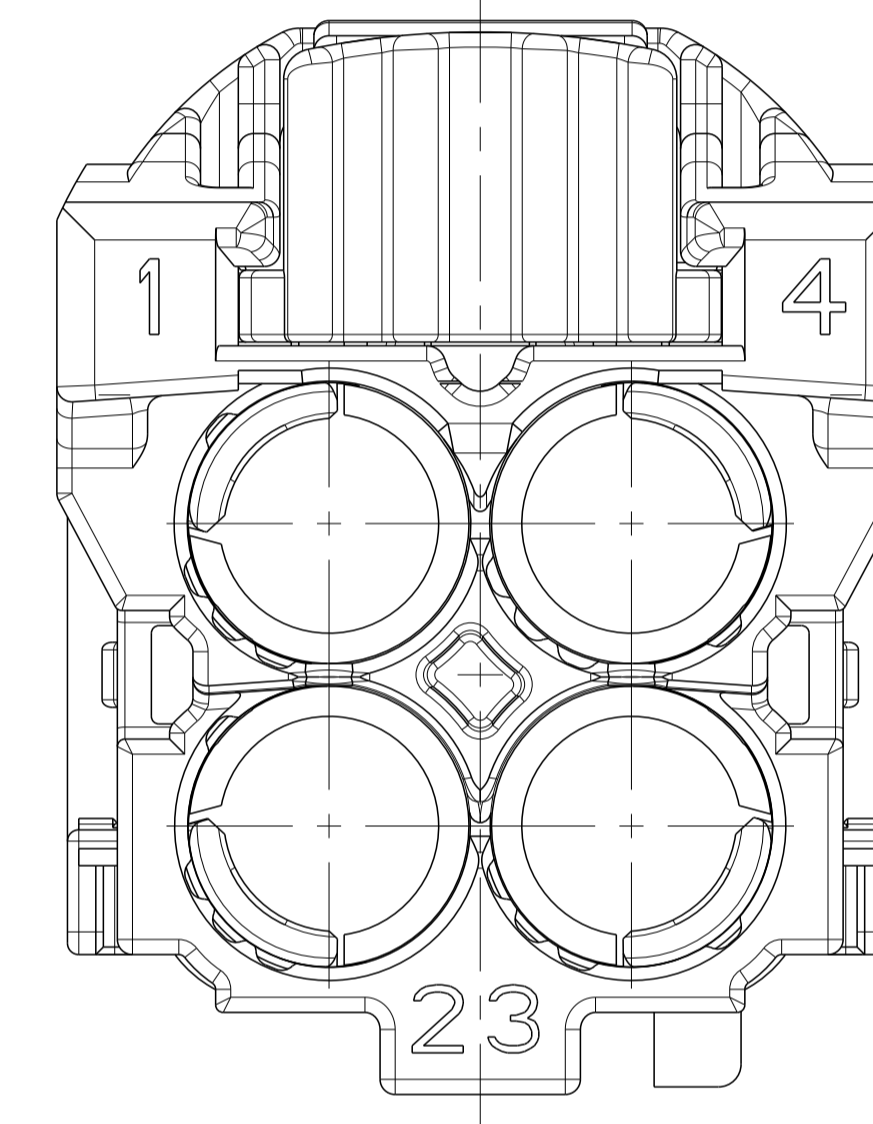
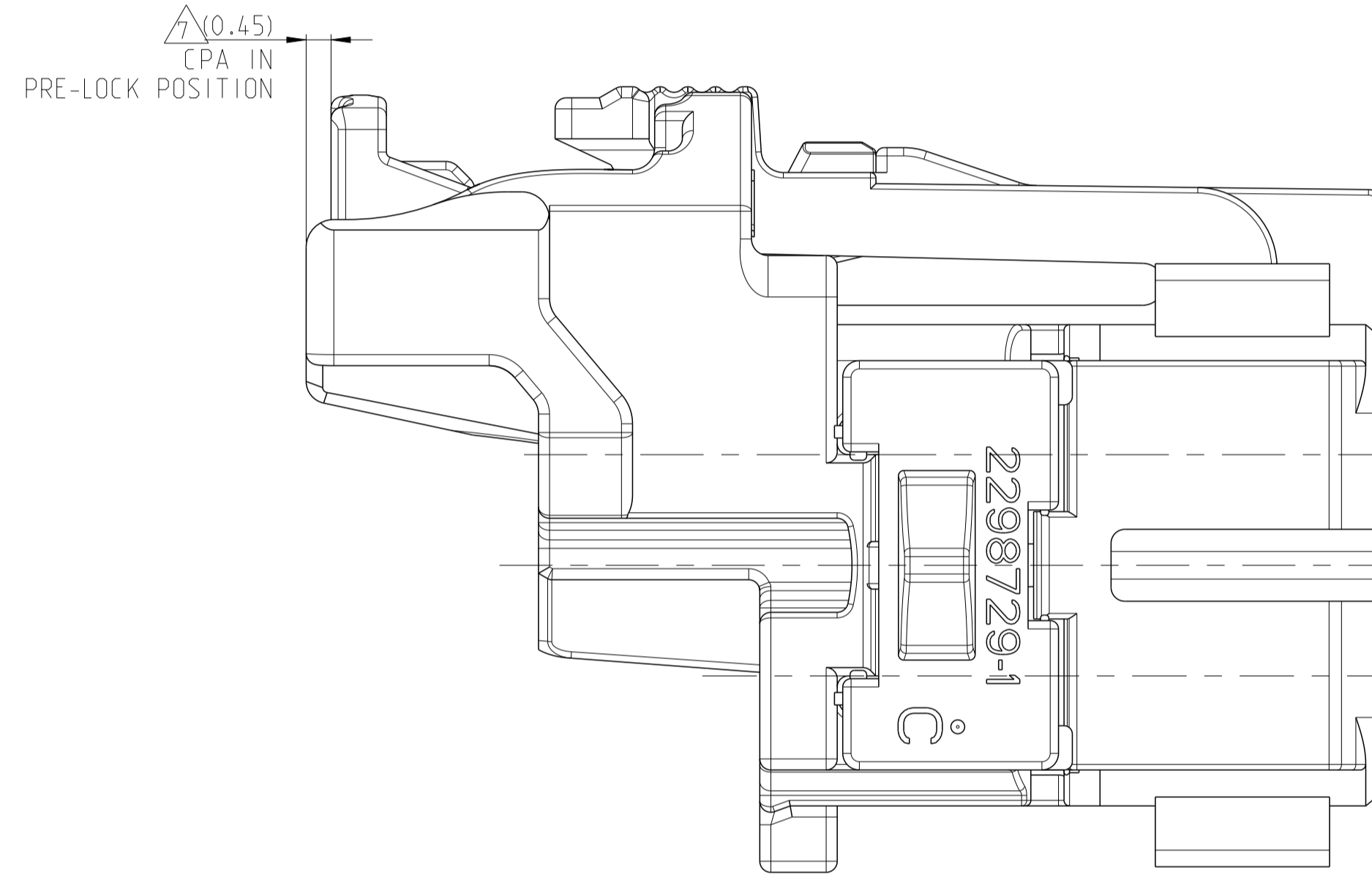
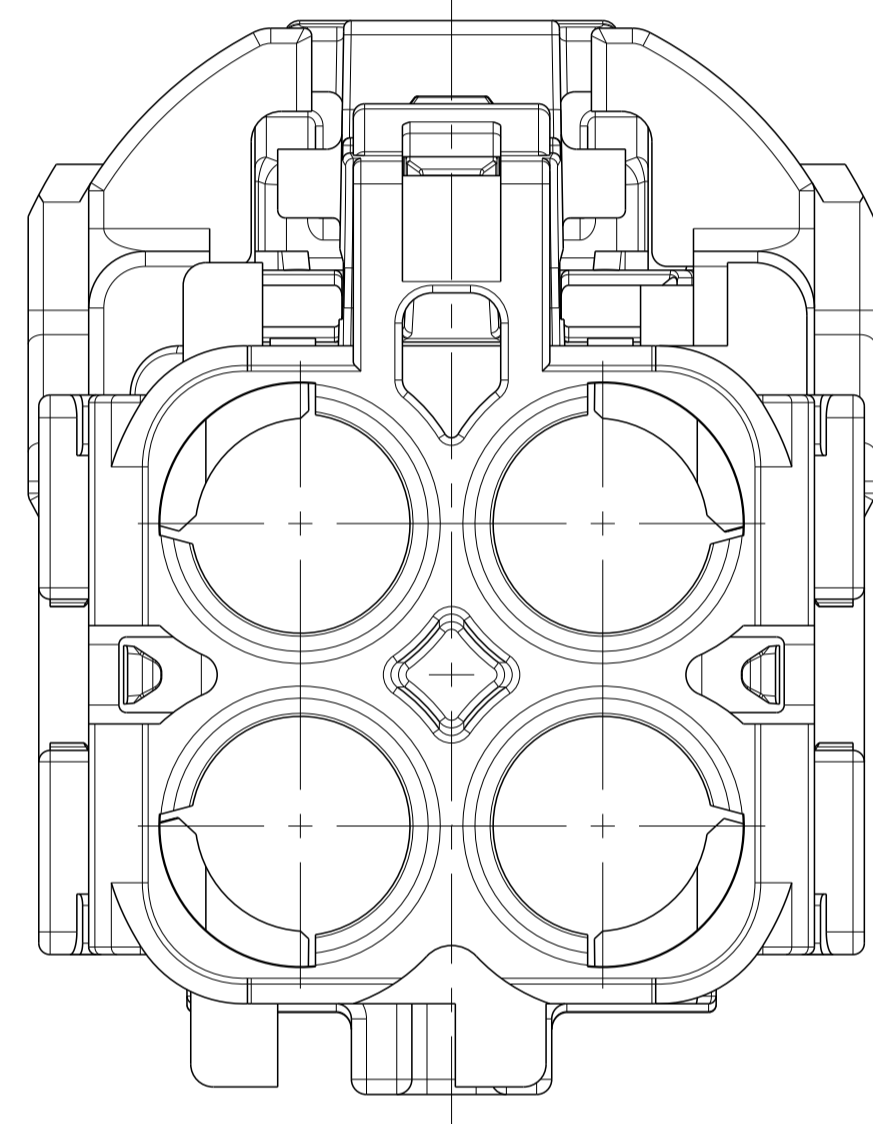
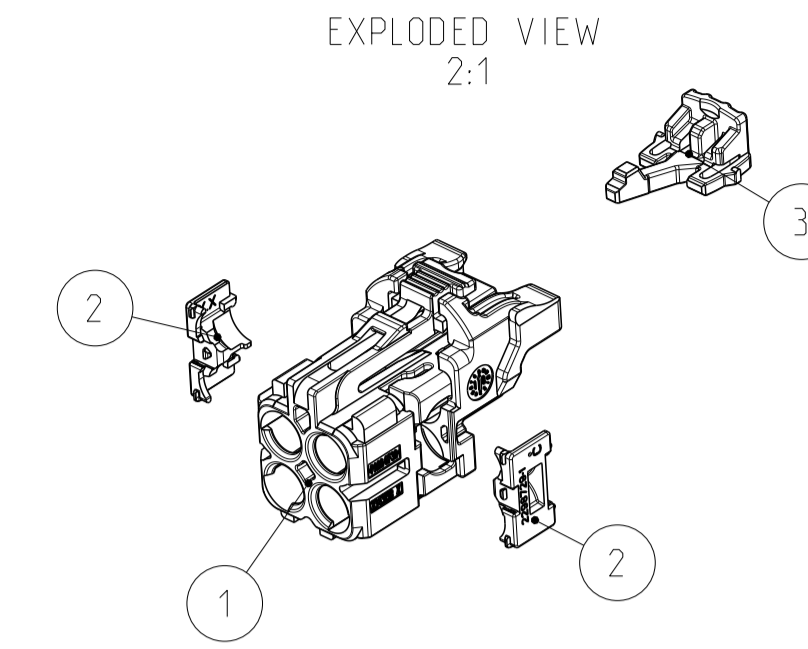
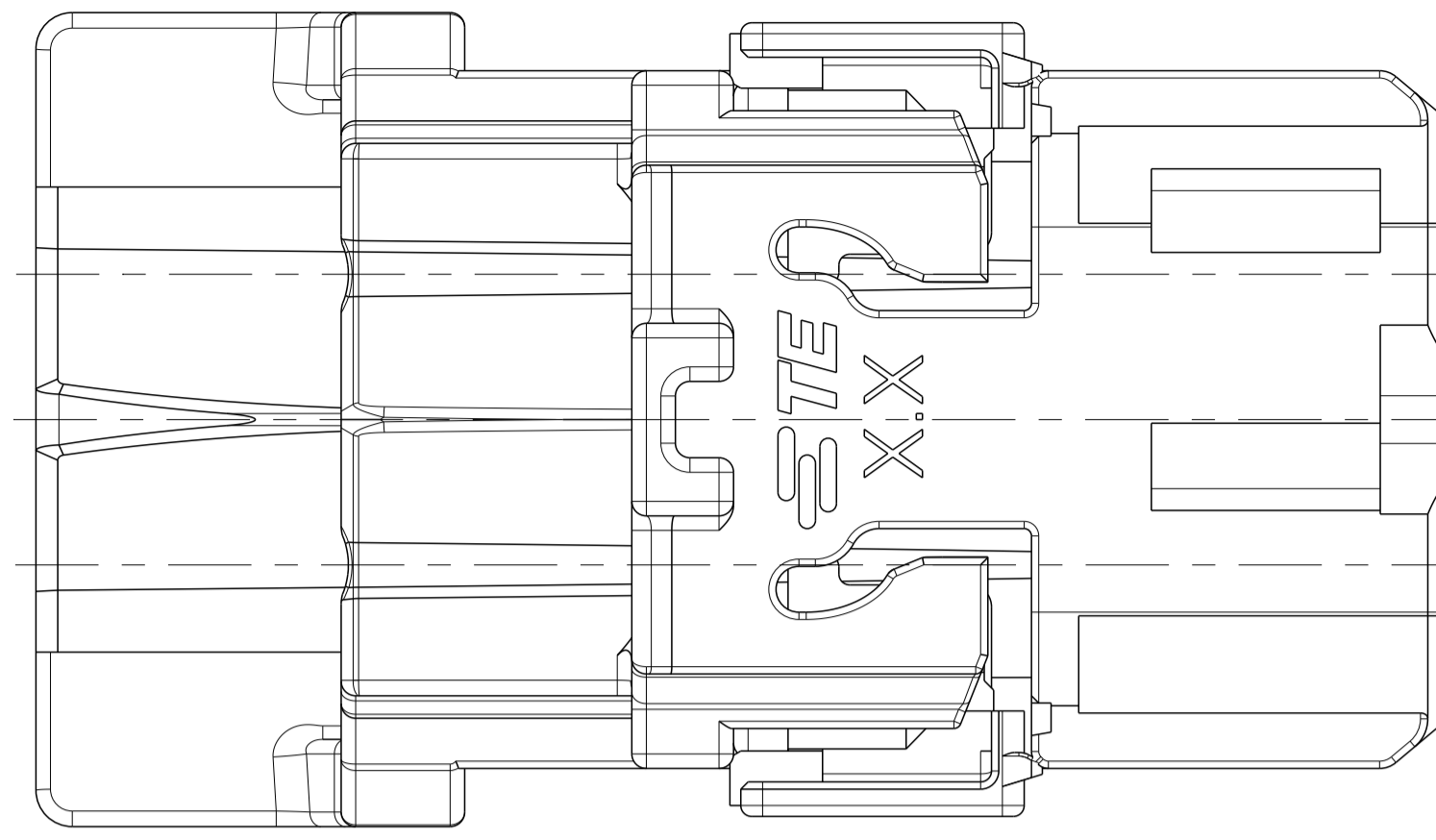
THIS DRAWING IS A CONTROLLED DOCUMENT.		OWN: G. van de Bunt	27FEB2020	
DIMENSIONS: mm		CHK: M. Kugler	25FEB2020	
TOLERANCES UNLESS OTHERWISE SPECIFIED:		APVD: K. Schrettlinger	26FEB2020	NAME: MATE-AX,4POS,SOC HSG,90DEG,UNS MATE-AX,4pol,Bu-Geh,90grad,unged
0 PLC ±0.2 1 PLC ±0.2 2 PLC ±0.2 3 PLC ±0.2 4 PLC ±0.2 ANGLES ±°		PRODUCT SPEC: 108-94709	APPLICATION SPEC: 114-94468	
MATERIAL: see table		FINISH: -	WEIGHT: see table	SIZE: A1
CUSTOMER DRAWING		SCALE: 10:1		SHEET: 1 OF 2

VARIANT 2 - WITH CPA

2-2310139-1 CODING "A" AS SHOWN

CODINGS AND MISSING DIMENSIONS SEE SHEET 1

REVISIONS				
P.	LTN	DESCRIPTION	DATE	APVD
-	-	SEE SHEET 1	-	-



VARIANT	TE ORDER NO.	REV.	QTY.	COD.	DESCRIPTION	MATERIAL	COLOUR	WEIGHT [g]	POS.
2-234-3139-9		A	1	Z	CPA	PA66-GF30	RED	0.92	3
		C	2		TPA	PA66-GF30	TRAFFIC PURPLE		2
2-234-3139-6		A	1	F	CPA	PA66-GF30	RED	0.92	3
		B	1		HOUSING	PA66-GF30	WATER BLUE		1
2-234-3139-5		A	1	E	CPA	PA66-GF30	RED	0.92	3
		C	2		TPA	PA66-GF30	TRAFFIC PURPLE		2
2-234-3139-4		A	1	D	CPA	PA66-GF30	RED	0.92	3
		C	2		TPA	PA66-GF30	TRAFFIC PURPLE		2
2-234-3139-3		A	1	C	CPA	PA66-GF30	RED	0.92	3
		B	1		HOUSING	PA66-GF30	CLARET VIOLET		1
2-234-3139-2		A	1	B	CPA	PA66-GF30	RED	0.92	3
		C	2		TPA	PA66-GF30	TRAFFIC PURPLE		2
2-234-3139-1		A	1	A	CPA	PA66-GF30	RED	0.92	3
		C	2		TPA	PA66-GF30	TRAFFIC PURPLE		2
		B	1		HOUSING	PA66-GF30	JET BLACK		1

THIS DRAWING IS A CONTROLLED DOCUMENT. **TE** TE Connectivity

DIMENSIONS: mm  
 TOLERANCES UNLESS OTHERWISE SPECIFIED:  
 0 PLC ±0.2  
 1 PLC ±0.2  
 2 PLC ±0.2  
 3 PLC ±0.2  
 4 PLC ±0.2  
 ANGLES ±°  
 FINISH see table

MATERIAL: see table  
 WEIGHT: see table  
 CUSTOMER DRAWING

DWN: G. van de Bunt  
 CHK: M. Kugler  
 APVD: F. Schrettinger  
 DATE: 26FEB2020  
 PRODUCT SPEC: 108-94709  
 APPLICATION SPEC: 114-94468

NAME: MATE-AX,4POS,SOC HSG,90DEG,UNS  
 MATE-AX,4pol.,Bu-Geh,90grad,unged  
 SIZE: A1  
 CAGE CODE: 00779  
 DRAWING NO: 2343139  
 SCALE: 1:1  
 SHEET: 2 OF 2  
 REV: A2