

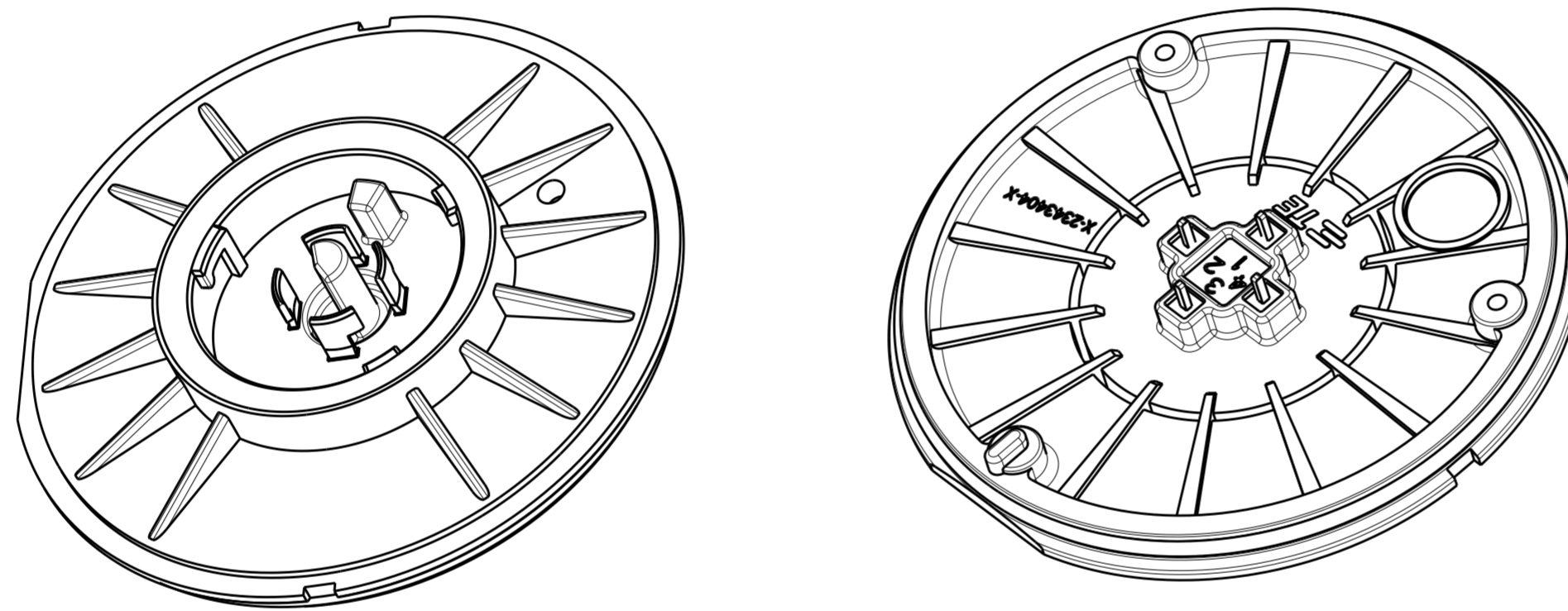
THIS DRAWING IS UNPUBLISHED. RELEASED FOR PUBLICATION 20
 © COPYRIGHT 20 BY - ALL RIGHTS RESERVED.

REVISIONS				
P	LTR	DESCRIPTION	DATE	APVD
	A3	REVISED PER ECR-20-013028	14SEP2020	MM DD

NOTES:

- 1 MATERIALS AND FINISH:
 -MODULE HOUSING: PBT, COLOR: GREY
 -CONTACTS: BRASS, FINISH: Sn
 -O-RING: SILICON RUBBER
- 2. MUST COMPLY WITH DIRECTIVE 2002/95/EC (ROHS)
- 3 LOCATION OF FLAT ON RECEPTACLE (TE P/N 2213858-1)
 THREAD SECTION IN FULL MATED POSITION
- 4. COMPATIBLE DOME IS 2328823-X.
- 5. MATES WITH RECEPTACLE ASSEMBLIES 2343403-1 OR 1-2343403-1.
- 6. RECOMMENDED PIN OUT FOR 0-10V DIMMING CONTROL APPLICATIONS:

PIN	0-10V CONTROL
1	DC+
2	0-10V DIM- DC-
3	0-10V DIM+
4	OPTIONAL



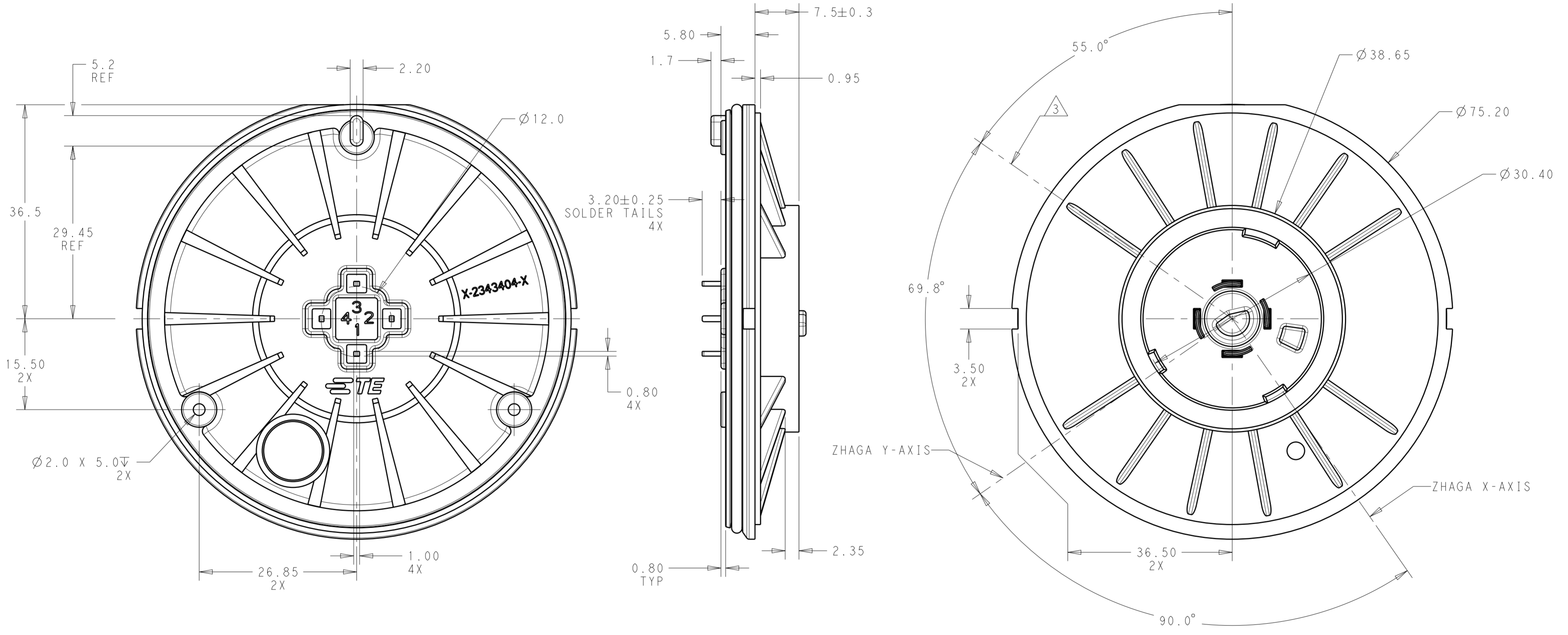
SCALE 3:2

MODULE BASE ASSY,CLOSED VENT,KEY A	2-2343404-1
MODULE BASE ASSY,VENT,KEY A	1-2343404-1
DESCRIPTION AND KEYING	PART NO.

DIMENSIONS:		TOLERANCES UNLESS OTHERWISE SPECIFIED:		THIS DRAWING IS A CONTROLLED DOCUMENT.		DWN 03OCT2018		CHK 03OCT2018		APVD		NAME	
mm		0 PLC ±		C DAILY		E HOWARD							STE TE Connectivity
		1 PLC ±0.2											MODULE BASE ASSEMBLY, LUMAWISE ENDURANCE S 80mm DIAMETER,KEYED
		2 PLC ±0.15											PRODUCT SPEC
		3 PLC ±											108-133073
		4 PLC ±											APPLICATION SPEC
		ANGLES ±											114-133074
		FINISH ±1											SIZE
													A2
													CAGE CODE
													-
													DRAWING NO
													C-2343404
													RESTRICTED TO
													-
													SCALE
													2:1
													SHEET
													1 OF 4
													REV
													A3

THIS DRAWING IS UNPUBLISHED. RELEASED FOR PUBLICATION 20
 © COPYRIGHT 20 BY - ALL RIGHTS RESERVED.

REVISIONS				
P	LTR	DESCRIPTION	DATE	APVD
-	-	SEE SHEET 1	-	-

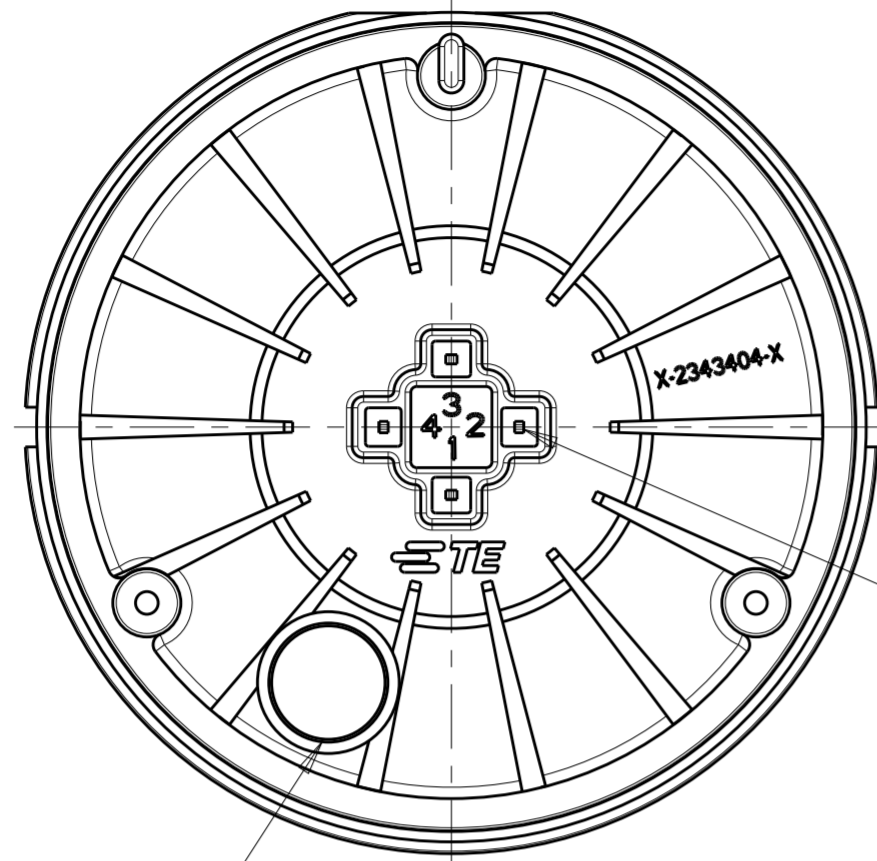


1-2343404-1 SHOWN

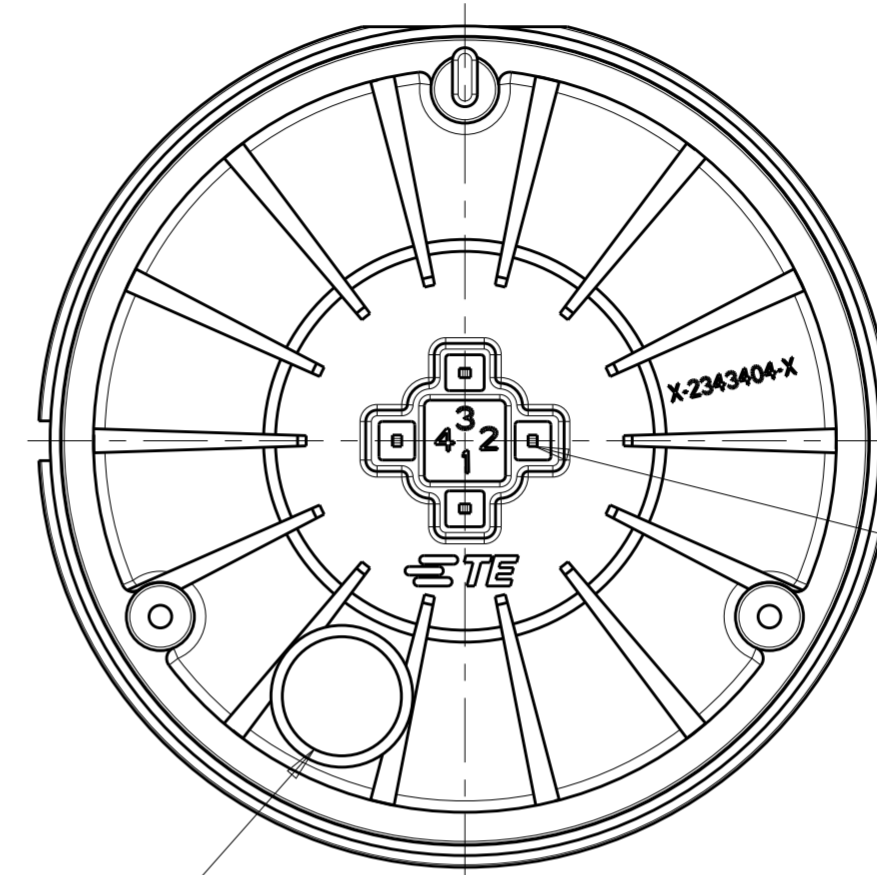
THIS DRAWING IS A CONTROLLED DOCUMENT.		DWN C. DAILY 03OCT2018	STE TE Connectivity																				
		CHK E. HOWARD 03OCT2018																					
DIMENSIONS: mm		TOLERANCES UNLESS OTHERWISE SPECIFIED:		NAME MODULE BASE ASSEMBLY, LUMAWISE ENDURANCE S 80mm DIAMETER, KEYED																			
<table border="1"> <tr><td>0 PLC</td><td>±</td></tr> <tr><td>1 PLC</td><td>±0.2</td></tr> <tr><td>2 PLC</td><td>±0.15</td></tr> <tr><td>3 PLC</td><td>±</td></tr> <tr><td>4 PLC</td><td>±</td></tr> <tr><td>ANGLES</td><td>±1</td></tr> <tr><td>FINISH</td><td>-</td></tr> </table>		0 PLC	±		1 PLC	±0.2	2 PLC	±0.15	3 PLC	±	4 PLC	±	ANGLES	±1	FINISH	-	<table border="1"> <tr><td>PRODUCT SPEC</td><td>108-133073</td></tr> <tr><td>APPLICATION SPEC</td><td>114-133074</td></tr> <tr><td>WEIGHT</td><td>-</td></tr> </table>		PRODUCT SPEC	108-133073	APPLICATION SPEC	114-133074	WEIGHT
0 PLC	±																						
1 PLC	±0.2																						
2 PLC	±0.15																						
3 PLC	±																						
4 PLC	±																						
ANGLES	±1																						
FINISH	-																						
PRODUCT SPEC	108-133073																						
APPLICATION SPEC	114-133074																						
WEIGHT	-																						
MATERIAL - SEE NOTES		CUSTOMER DRAWING		RESTRICTED TO -																			
		SIZE A2	CAGE CODE -	DRAWING NO. G-2343404																			
		SCALE 2:1	SHEET 2 OF 4	REV A3																			

THIS DRAWING IS UNPUBLISHED. RELEASED FOR PUBLICATION 20
 © COPYRIGHT 20 BY - ALL RIGHTS RESERVED.

REVISIONS				
P	LTR	DESCRIPTION	DATE	APVD
-		SEE SHEET 1	-	-

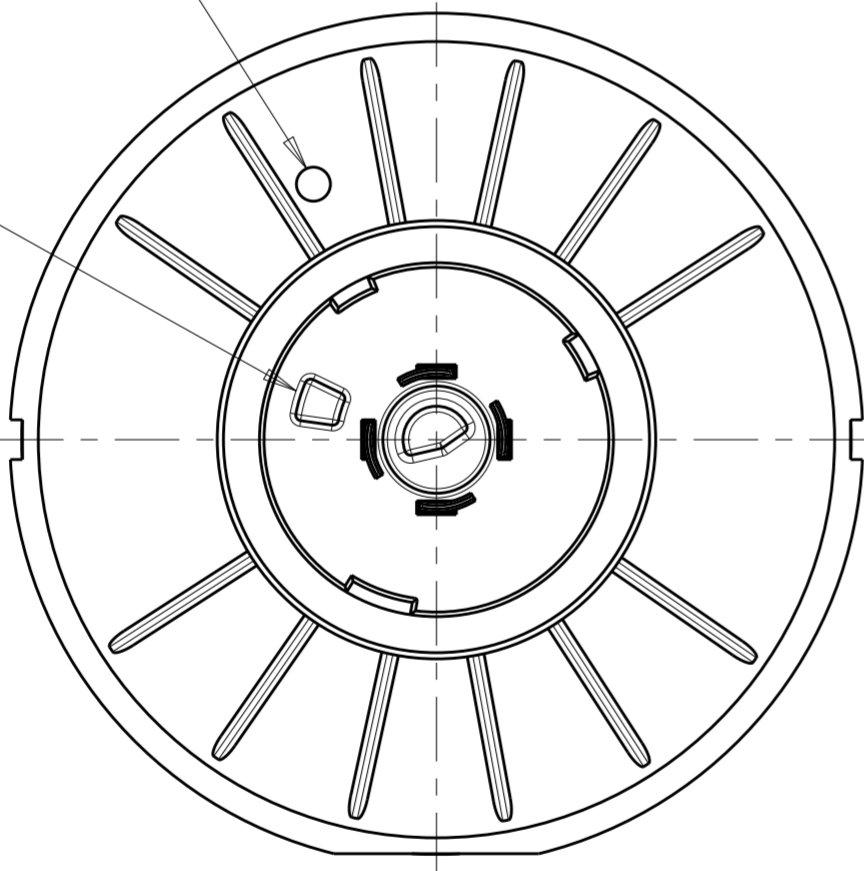


CONTACT SOLDER
TAILS SEALED
4X

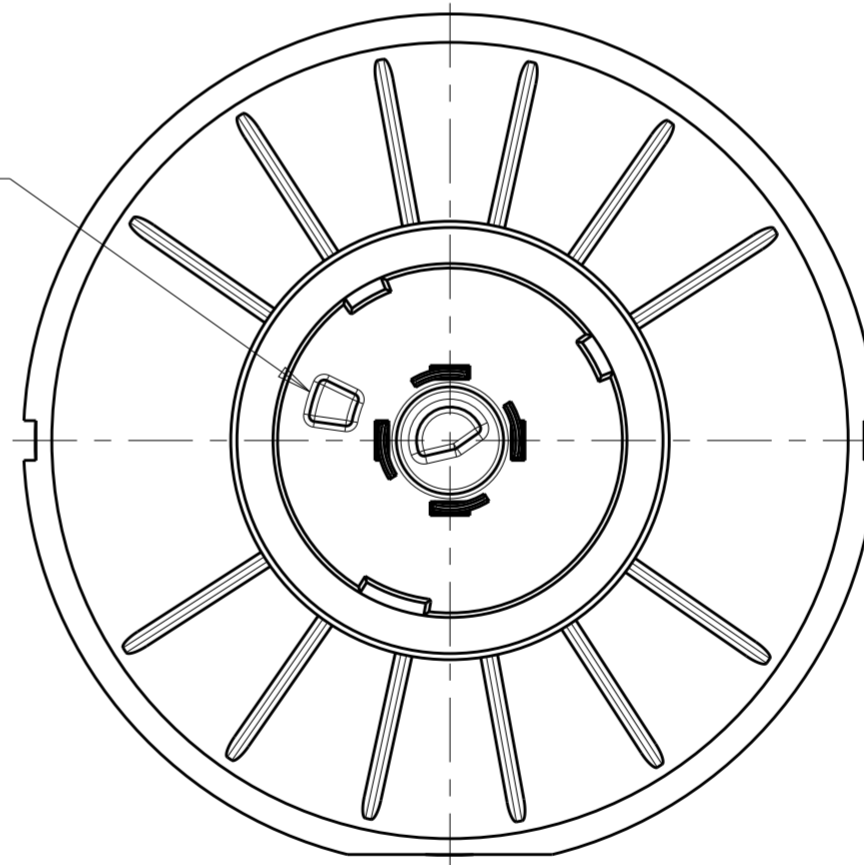


CONTACT SOLDER
TAILS SEALED
4X

VENT HOLE
BLOCKED



NOTE: KEY



NOTE: KEY

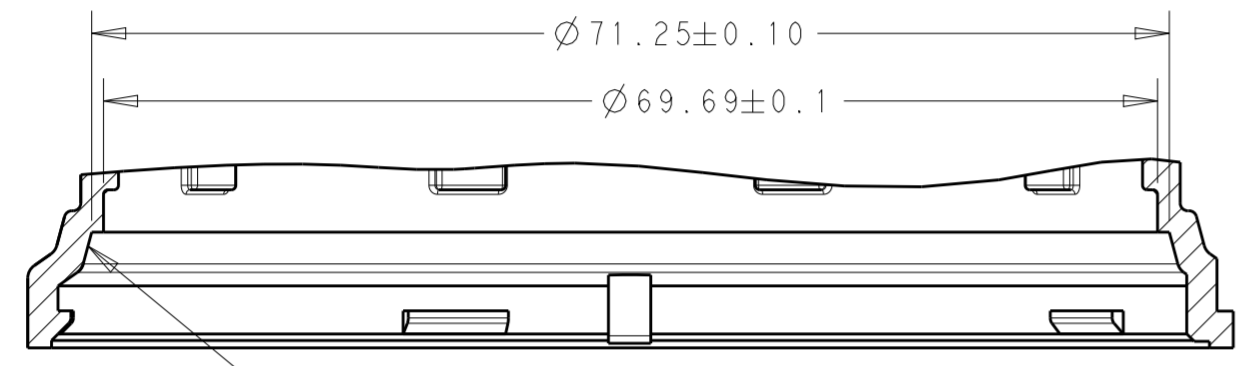
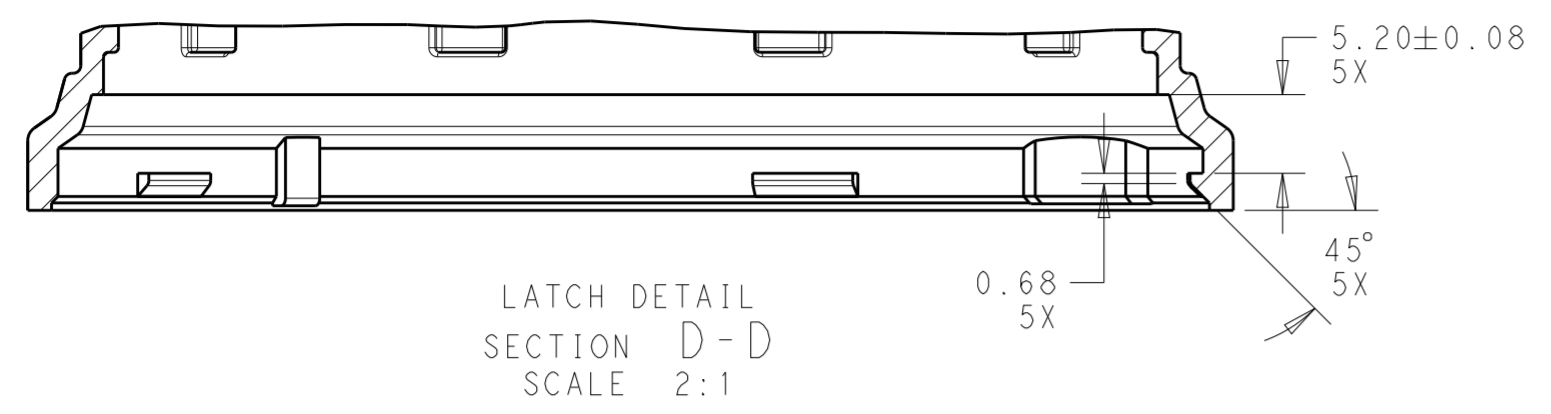
1-2343404-1 SHOWN

2-2343404-1 SHOWN

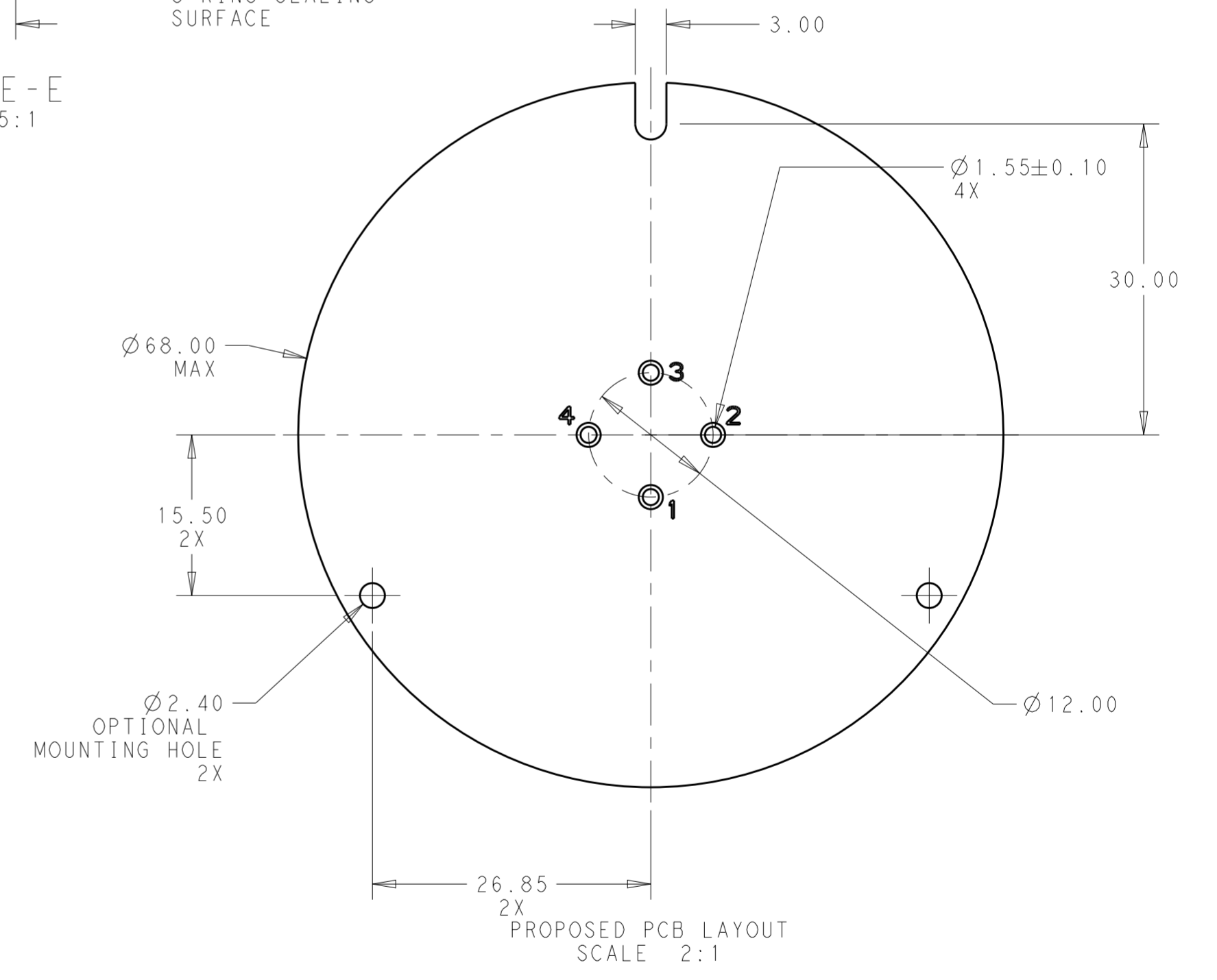
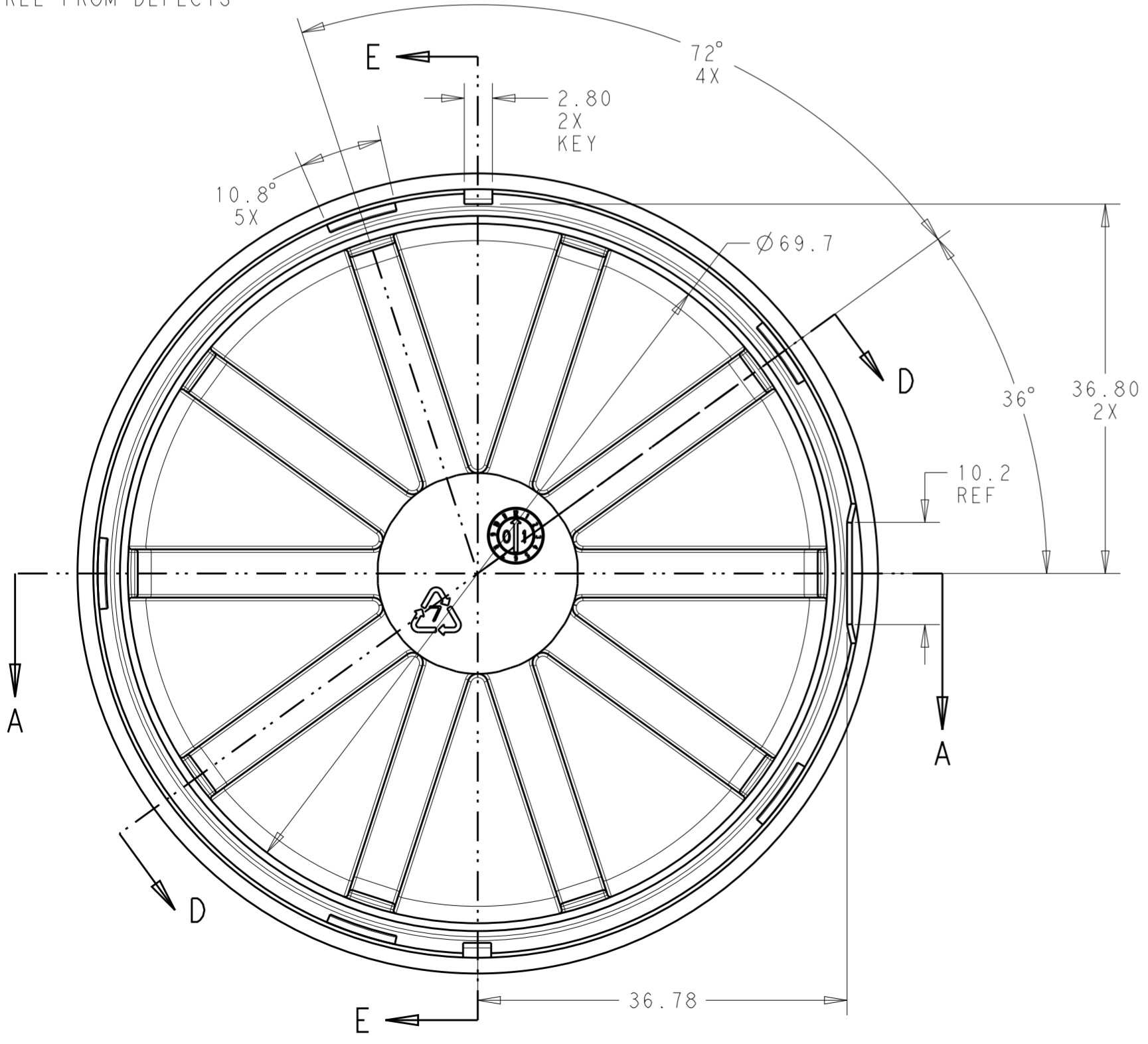
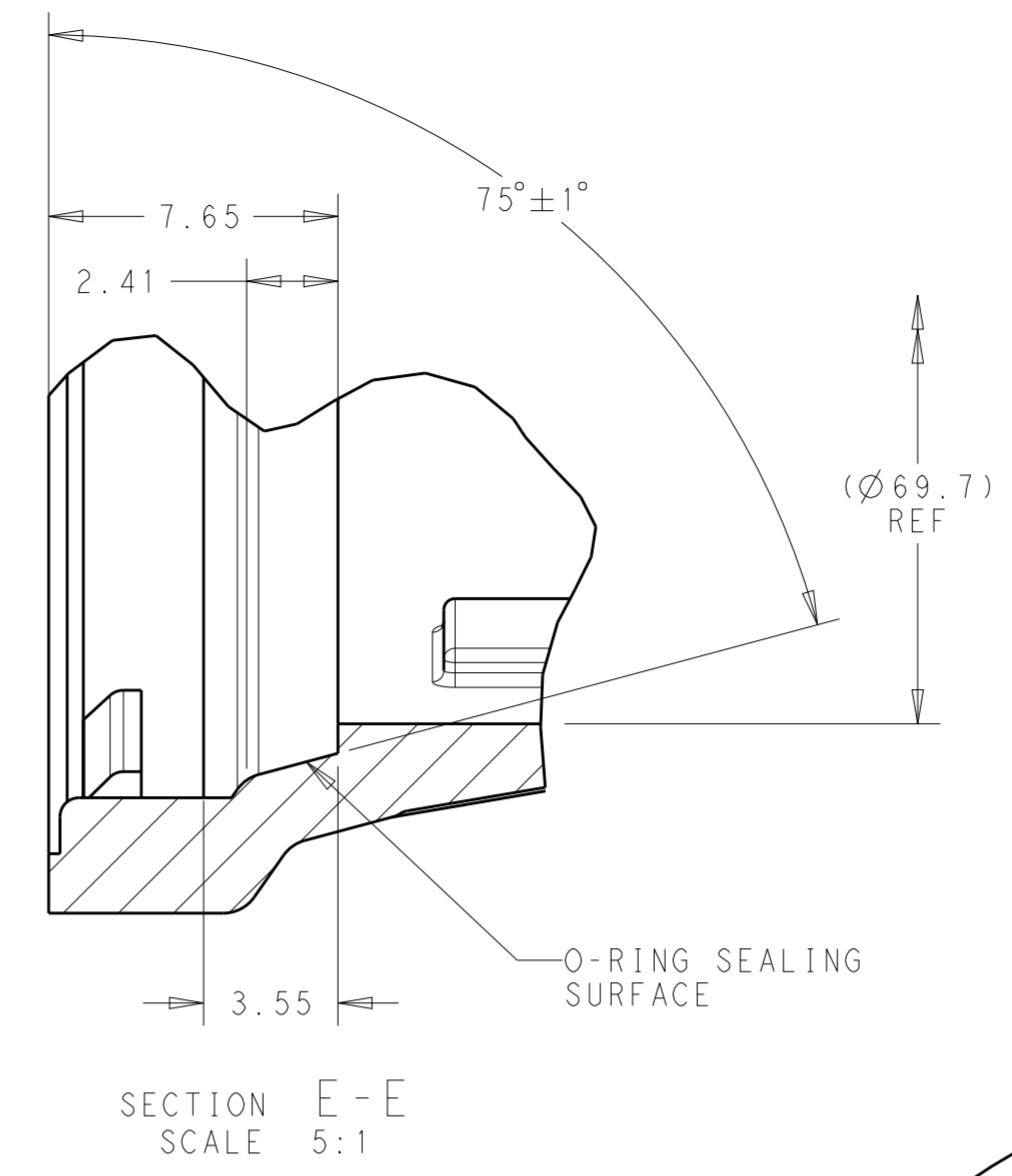
THIS DRAWING IS A CONTROLLED DOCUMENT.		DWN C. DAILY 03OCT2018	TE Connectivity	
		CHK E. HOWARD 03OCT2018		
DIMENSIONS: mm		TOLERANCES UNLESS OTHERWISE SPECIFIED:		APVD -
		0 PLC ±	1 PLC ±0.2	PRODUCT SPEC
		2 PLC ±0.15	3 PLC ±	108-133073
		4 PLC ±	ANGLES ±	APPLICATION SPEC
		FINISH -	114-133074	114-133074
MATERIAL - SEE NOTES		WEIGHT -		CUSTOMER DRAWING
		NAME MODULE BASE ASSEMBLY, LUMAWISE ENDURANCE S 80mm DIAMETER, KEYED		RESTRICTED TO -
		SIZE A2	CAGE CODE -	DRAWING NO. G-2343404
		SCALE 2:1	SHEET 3 OF 4	REV A3

THIS DRAWING IS UNPUBLISHED. RELEASED FOR PUBLICATION 20
 © COPYRIGHT 20 BY - ALL RIGHTS RESERVED.

REVISIONS				
P	LTR	DESCRIPTION	DATE	APVD
-	-	SEE SHEET 1	-	-



O-RING SEALING SURFACE;
MUST BE SMOOTH AND
FREE FROM DEFECTS



THIS DRAWING IS A CONTROLLED DOCUMENT.		DWN C. DAILY 03OCT2018	STE TE Connectivity	
		CHK E. HOWARD 03OCT2018		
DIMENSIONS:	TOLERANCES UNLESS OTHERWISE SPECIFIED:	APVD -	NAME MODULE BASE ASSEMBLY, LUMAWISE ENDURANCE S 80mm DIAMETER, KEYED	
mm	0 PLC ± 1 PLC ±0.2 2 PLC ±0.15 3 PLC ± 4 PLC ±	PRODUCT SPEC 108-133073	SIZE A2	CAGE CODE -
	ANGLES ±1 FINISH -	APPLICATION SPEC 114-133074	DRAWING NO C-2343404	RESTRICTED TO -
MATERIAL - SEE NOTES		WEIGHT -	SCALE 2:1	SHEET 4 OF 4
		CUSTOMER DRAWING		REV A3