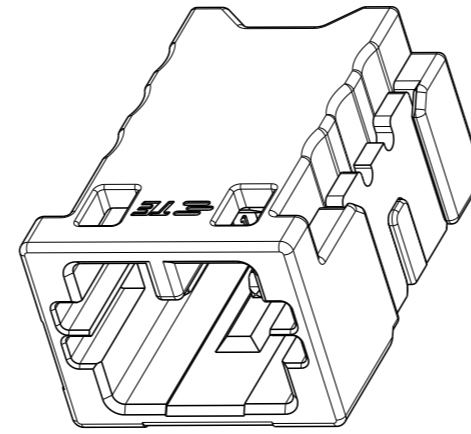
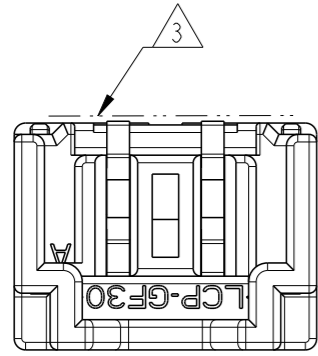
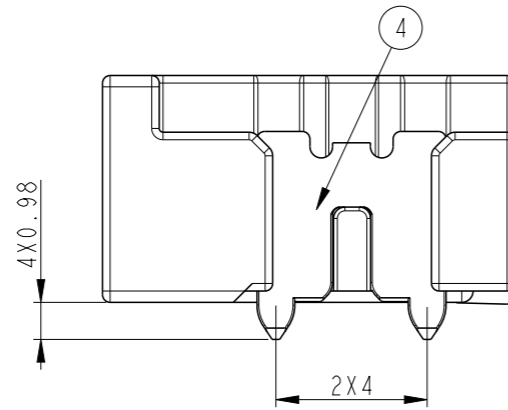
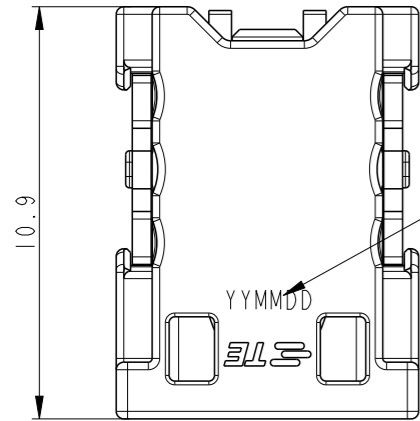


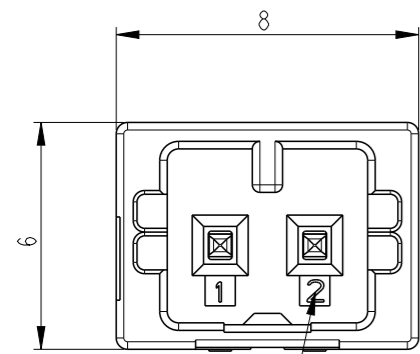
P	LTR	DESCRIPTION	DATE	DWN	APVD
	D2	REVISED (ECR-21-101071)	11JAN2021	CI	YJ
	E	REVISED (ECR-21-104985)	17JUN2021	CI	YJ
	E1	REVISED ECR-22-143952	10JUN2022	CI	YJ
	E2	REVISED ECR-22-151252	01SEP2022	CI	YJ



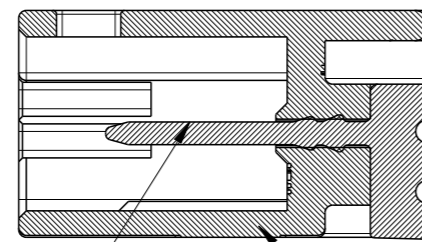
ISO VIEW



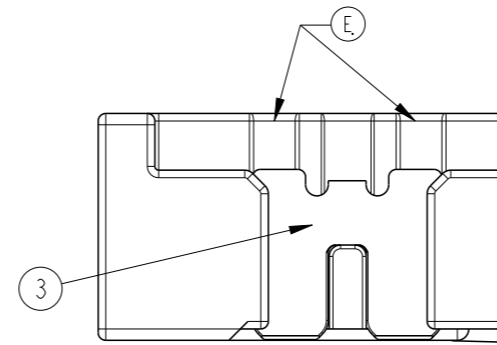
for 0-2343490-1 and 0-2343490-2 only



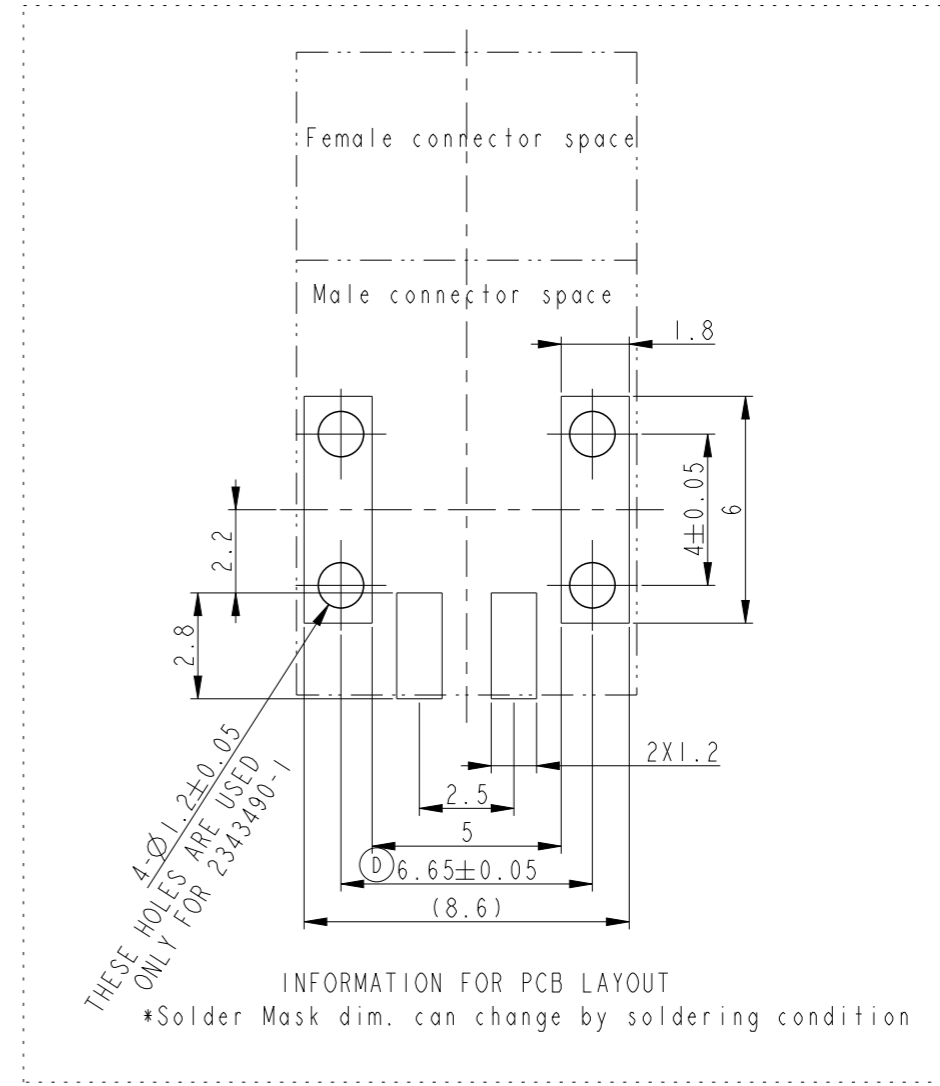
CIRCUIT NO.



SECTION A-A



- NOTE
1. GENERAL TOLERANCE :  $\pm 0.3, \pm 2^\circ$
  2. BURR, SINK, FLASH MAX. 0.3 PERMISSIBLE
  3. COPLANARITY OF CONTACT : 0.1MAX
  4. SUITABLE COUNTERPART P/N IS 2343425
  5. LASER MARKING (YYMMDD)



INFORMATION FOR PCB LAYOUT

\*Solder Mask dim. can change by soldering condition

NO.	CODE	COLOR	MATERIAL	DESCRIPTION	Q'TY
④	N/A	TIN PLATED	COPPER ALLOY	SOLDER PEG(THRU)	- - 2 2
③	N/A	TIN PLATED	COPPER ALLOY	SOLDER PEG(SMD)	2 2 - -
②	N/A	TIN PLATED	COPPER ALLOY	025 SMD TAB	2 2 2 2
①	B	BLACK	LCP-GF30	2P HDR HSG	1 - 1 -
①	A	NATURAL	LCP-GF30	2P HDR HSG	- 1 - 1

P/N	DESCRIPTION	REMARK
I-2343490-2	SUBM 2P HDR - BL	BLACK, CODE B
I-2343490-1	SUBM 2P HDR - NA	NATURAL, CODE A
0-2343490-2	SUBM 2P HDR(THRU) - NA	BLACK, CODE B
0-2343490-1	SUBM 2P HDR(THRU) - NA	NATURAL, CODE A

THIS DRAWING IS A CONTROLLED DOCUMENT.

DIMENSIONS: mm	TOLERANCES UNLESS OTHERWISE SPECIFIED.
	0 PLC ±-
	1 PLC ±0.1
	2 PLC ±0.01
	3 PLC ±0.001
	4 PLC ±0.0001
	ANGLES ±-
MATERIAL SEE TABLE	FINISH -

DWN CI JEON
CHK YG PARK
APVD YJ YOUN
PRODUCT SPEC
APPLICATION SPEC
WEIGHT
CUSTOMER DRAWING

**TE** TE Connectivity

NAME: SUBM 025 2P SMD HDR ASSY

SIZE A3	CAGE CODE -	DRAWING NO C-2343490	RESTRICTED TO
SCALE 5:1		SHEET 1 OF 1	REV E2