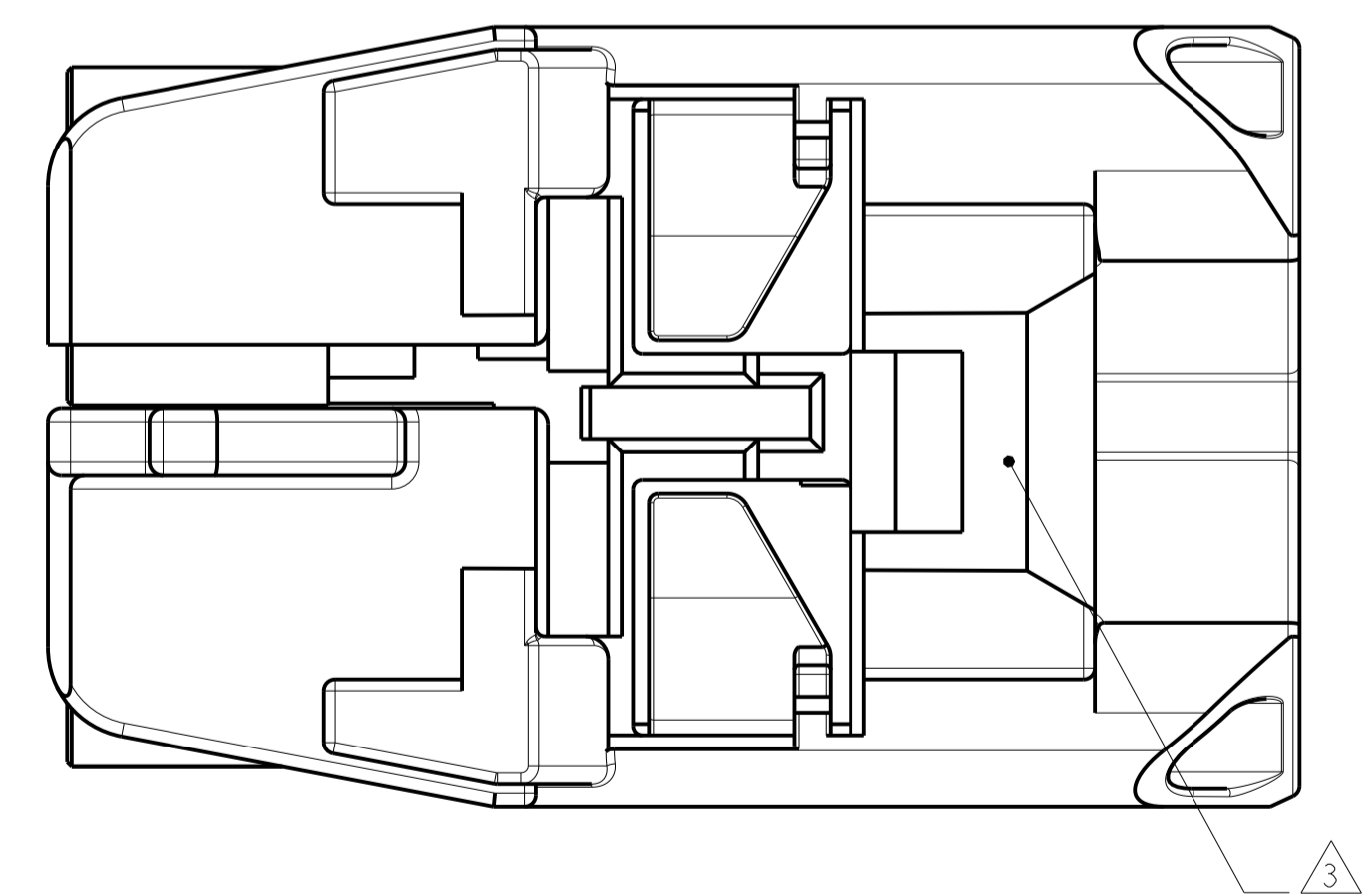
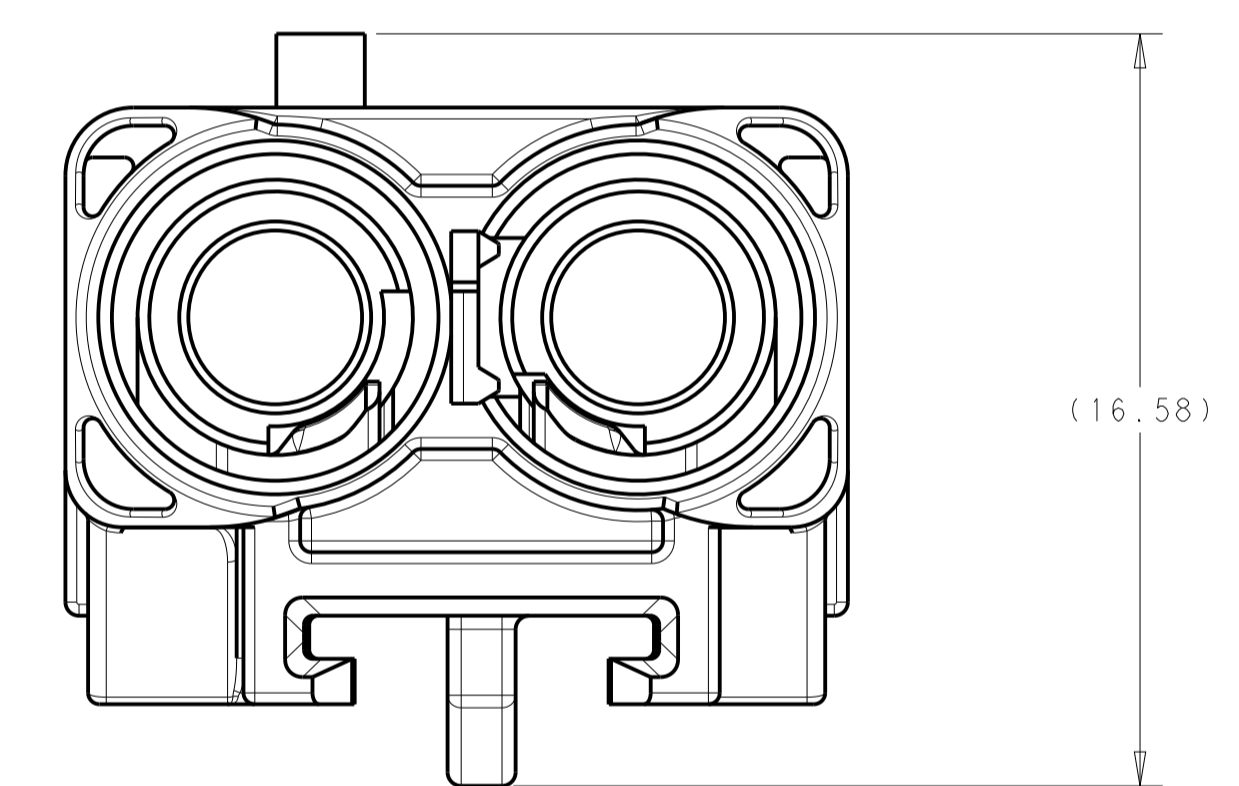
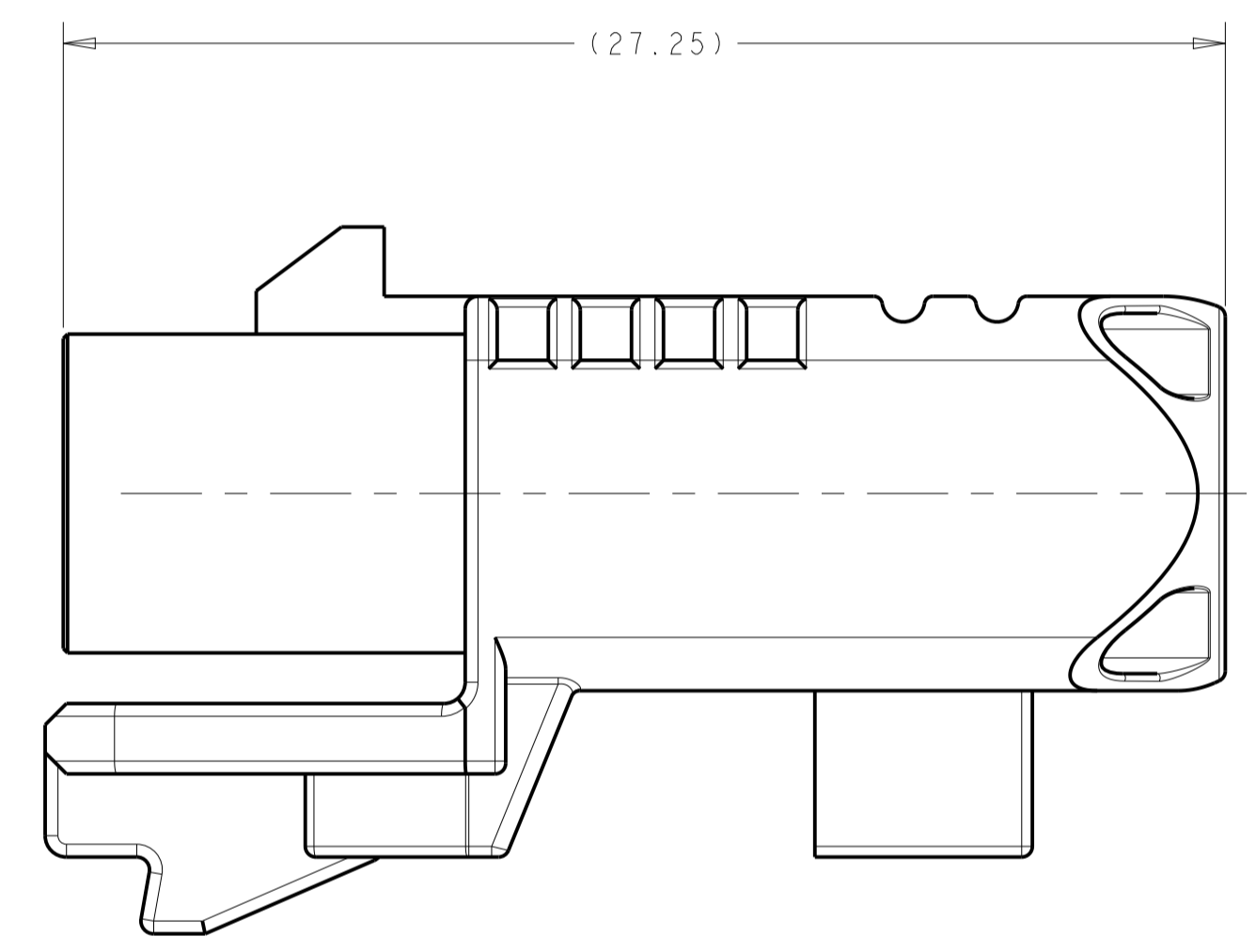
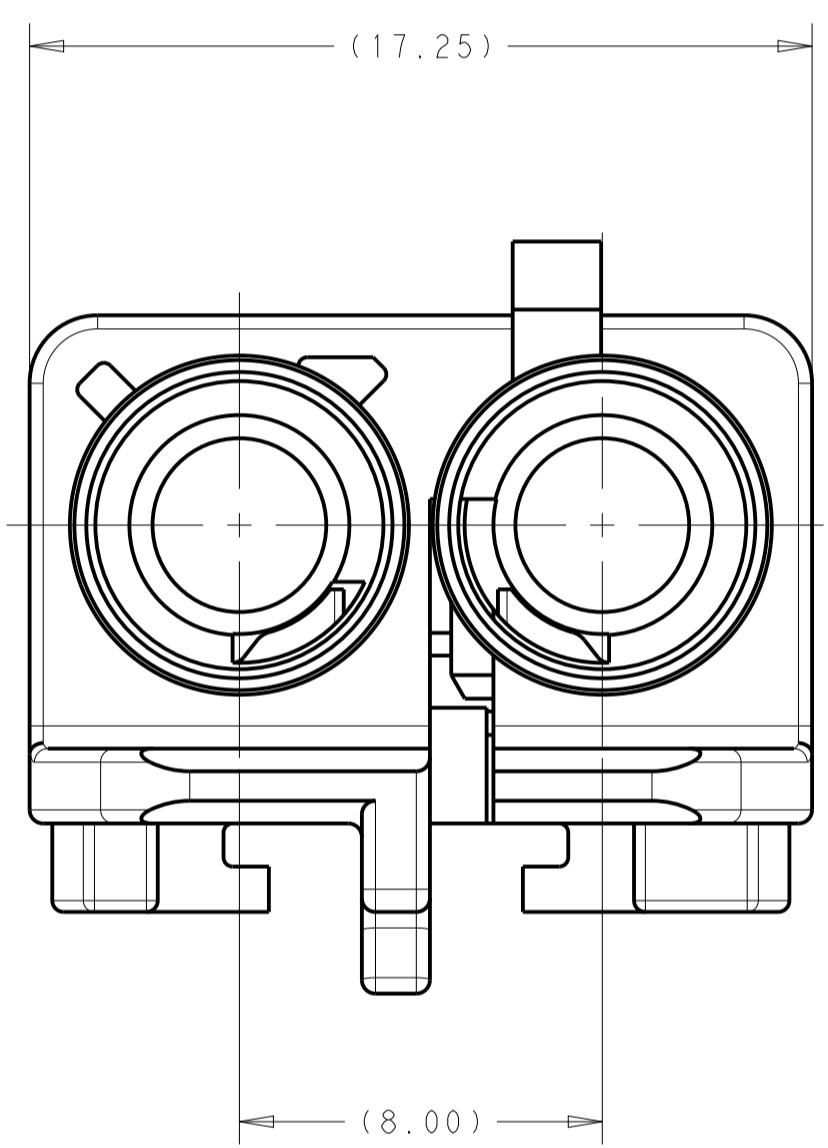
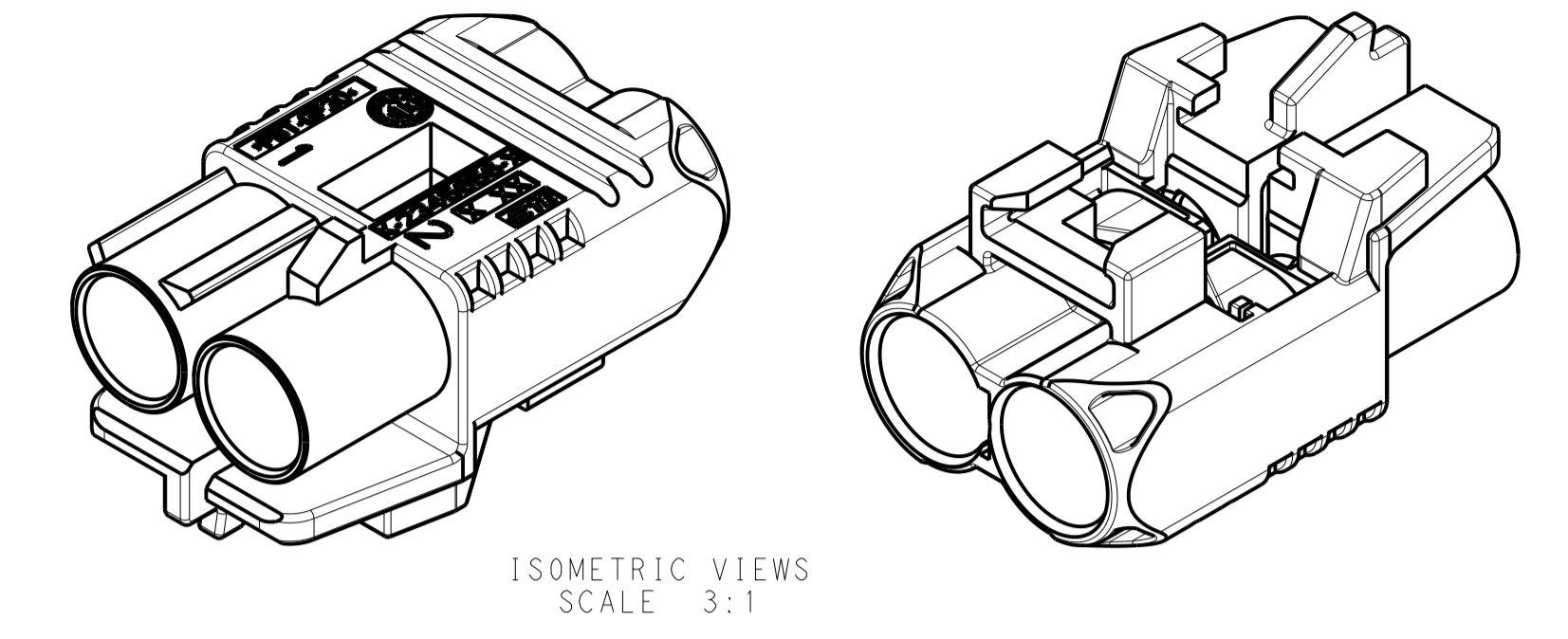
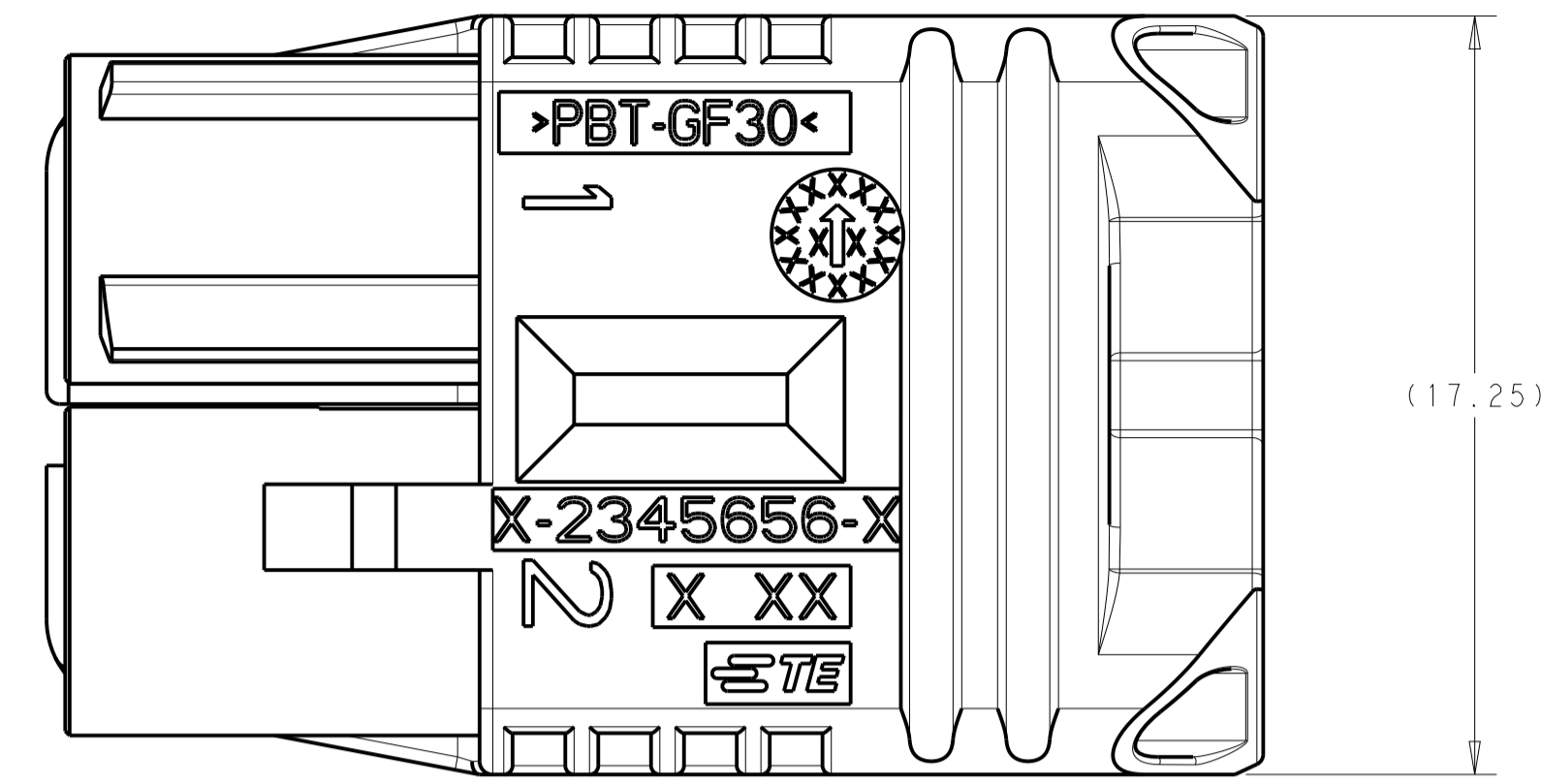


REVISIONS				
P	LTM	DESCRIPTION	DATE	APVD
A		INITIAL RELEASE	12MAR2021	CN AC



Z	PER DETAIL Z	WATER BLUE	2-2345656-0
N	PER DETAIL N	PASTEL GREEN	1-2345656-3
M	PER DETAIL M	PASTEL ORANGE	1-2345656-2
L	PER DETAIL L	CARMINE RED	1-2345656-1
K	PER DETAIL K	CURRY	1-2345656-0
I	PER DETAIL I	BEIGE	2345656-9
H	PER DETAIL H	HEATHER VIOLET	2345656-8
G	PER DETAIL G	BLUE GREY	2345656-7
F	PER DETAIL F	NUT BROWN	2345656-6
E	PER DETAIL E	LEAF GREEN	2345656-5
D	PER DETAIL D	CLARET VIOLET	2345656-4
C	PER DETAIL C	SIGNAL BLUE	2345656-3
B	PER DETAIL B	CREAM	2345656-2
A	PER DETAIL A	JET BLACK	2345656-1
KEY CODE	KEYING	CODING COLOR	PART NUMBER

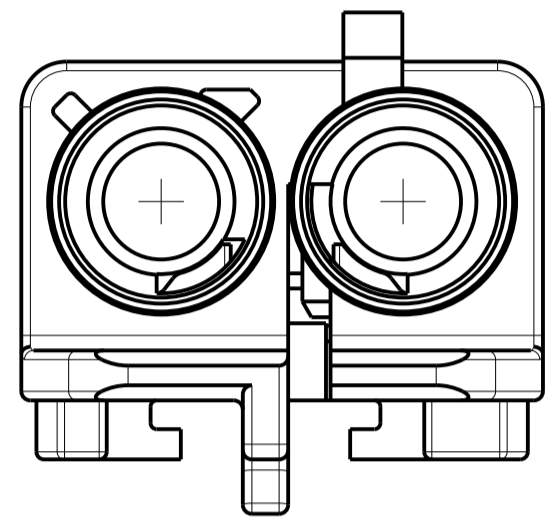
- 2345656-1 AS SHOWN.
- MATERIAL, POLYESTER PBT, COLOR SEE TABLE.
- STANDARD 7mm CLIP SLOT EWCAP-005-7.
- MALE INTERFACE PER ISO-20860-1, ISO-20860-2, SAE/USCAR-17, SAE/USCAR-18.

THIS DRAWING IS A CONTROLLED DOCUMENT.

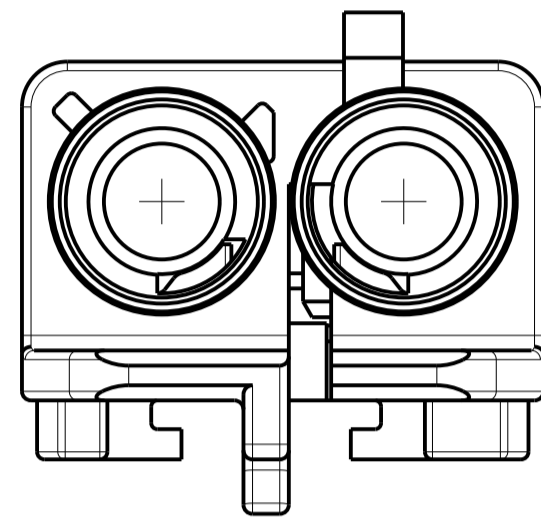
DIMENSIONS:	TOLERANCES UNLESS OTHERWISE SPECIFIED:	OWN: C. NUNEZ 12MAR2021	TE Connectivity NAME: MALE HOUSING, CLIP SLOT, 2 POSITION, 8.0mm CENTERLINE, 180 DEGREE, FAKRA SIZE: 114-32145 WEIGHT: - RESTRICTED CUSTOMER
mm	0 PLC ±	CHK: A. CHOKER 12MAR2021	
	1 PLC ±	APVD: A. CHOKER 12MAR2021	
	2 PLC ±		
	3 PLC ±		RESTRICTED TO
	4 PLC ±		
	ANGLES ±		
MATERIAL:	FINISH:		

SCALE 6:1 SHEET 1 OF 2 REV A

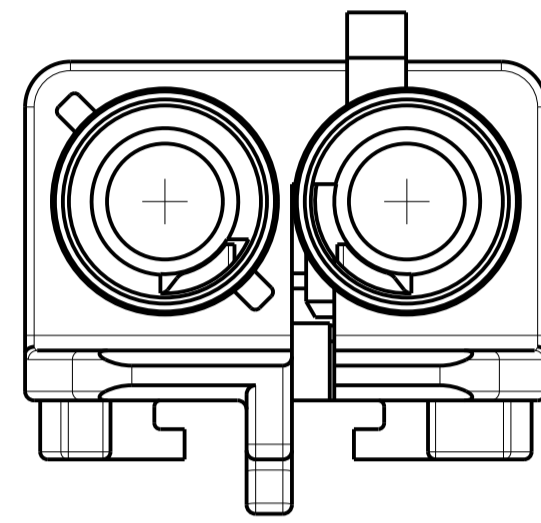
REVISIONS				
P.	LTN	DESCRIPTION	DATE	APVD
-		SEE SHEET 1	-	-



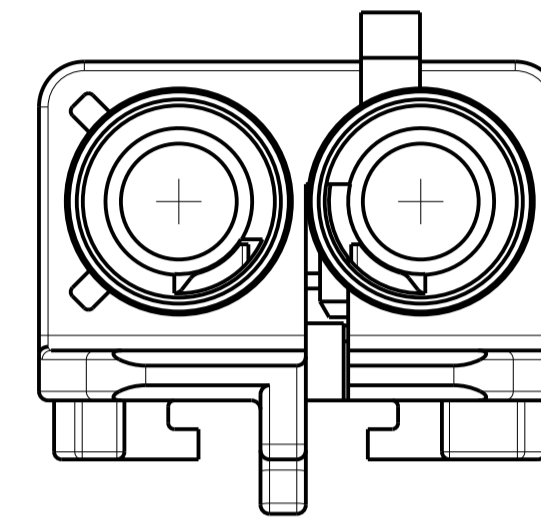
DETAIL A
SCALE 4:1



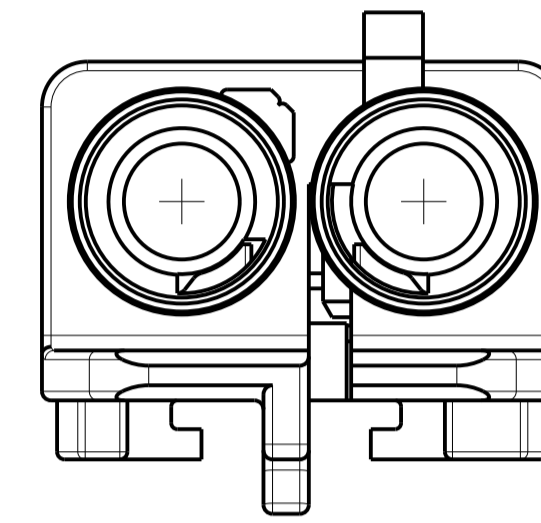
DETAIL B
SCALE 4:1



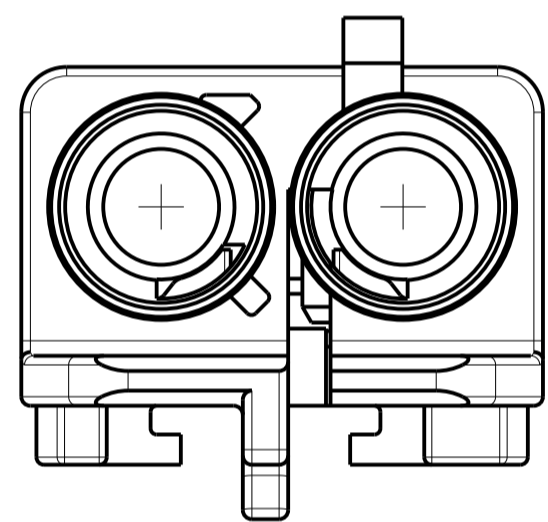
DETAIL C
SCALE 4:1



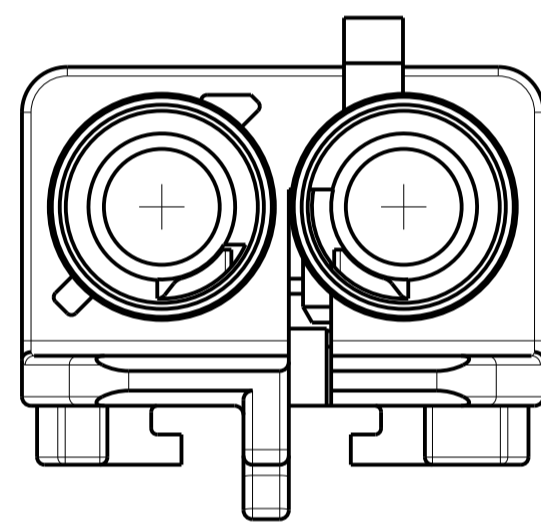
DETAIL D
SCALE 4:1



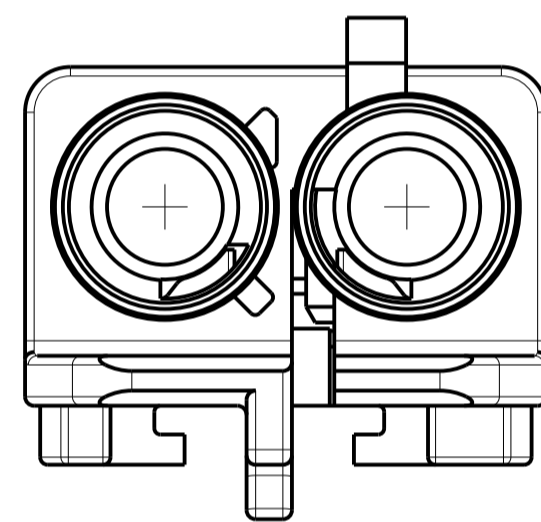
DETAIL E
SCALE 4:1



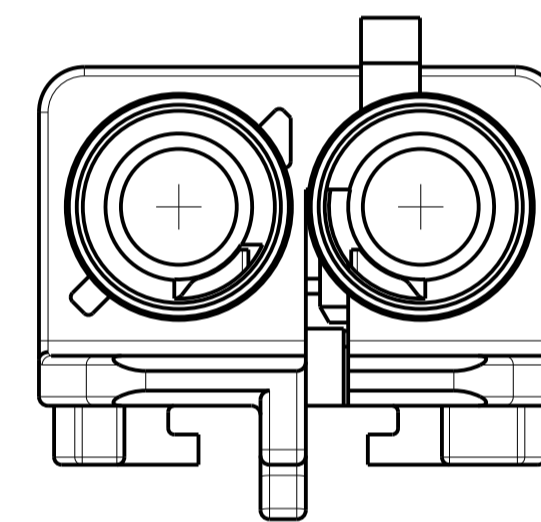
DETAIL F
SCALE 4:1



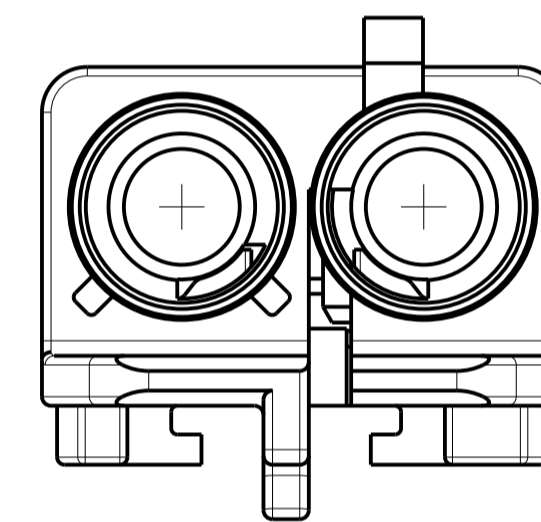
DETAIL G
SCALE 4:1



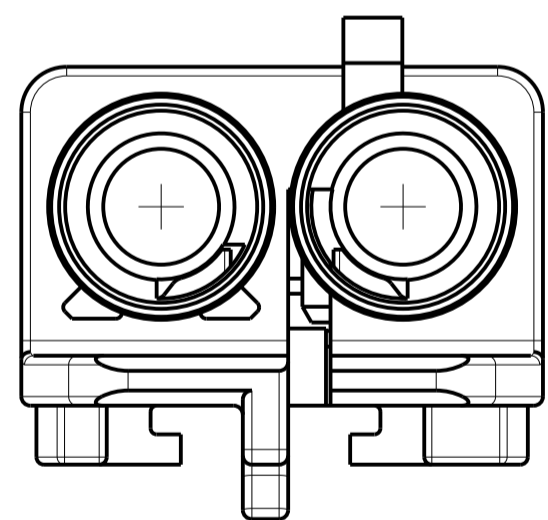
DETAIL H
SCALE 4:1



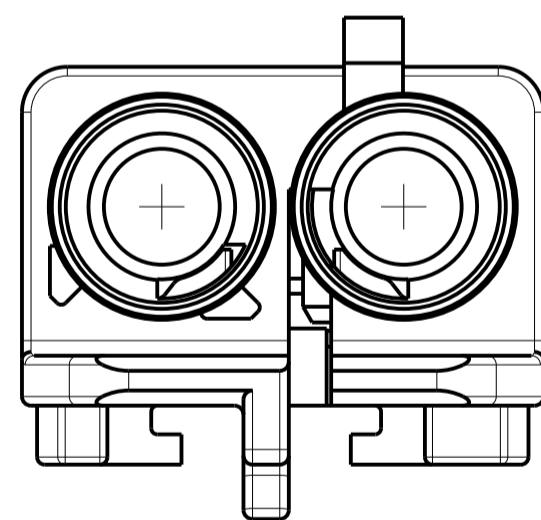
DETAIL I
SCALE 4:1



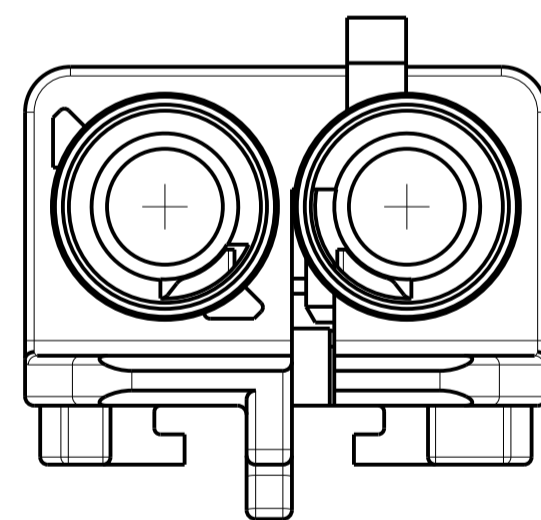
DETAIL K
SCALE 4:1



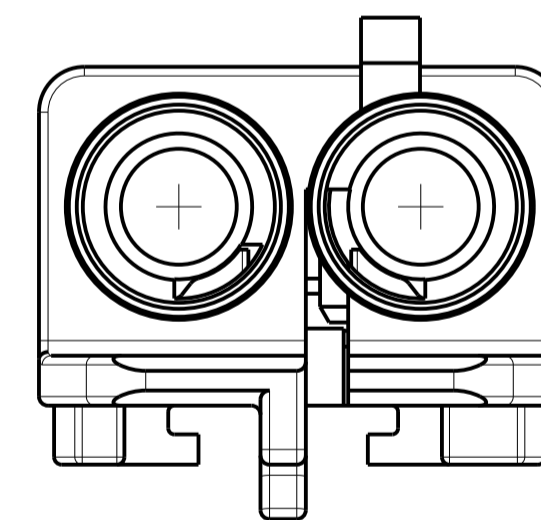
DETAIL L
SCALE 4:1



DETAIL M
SCALE 4:1



DETAIL N
SCALE 4:1



DETAIL Z
SCALE 4:1

THIS DRAWING IS A CONTROLLED DOCUMENT.		DWN C. NUNEZ CHK A. CHOKER APVD A. CHOKER	12MAR2021 12MAR2021 12MAR2021		NAME MALE HOUSING, CLIP SLOT, 2 POSITION, 8.0mm CENTERLINE, 180 DEGREE, FAKRA
DIMENSIONS:	TOLERANCES UNLESS OTHERWISE SPECIFIED:	PRODUCT SPEC	APPLICATION SPEC		
mm	0 PLC ± 1 PLC ± 2 PLC ± 3 PLC ± 4 PLC ± ANGLES ±1°	FINISH	WEIGHT	SIZE	RESTRICTED TO
MATERIAL				A1	RESTRICTED TO
				C=2345656	RESTRICTED TO
				SCALE 5:1	SHEET 2 OF 2 REV A