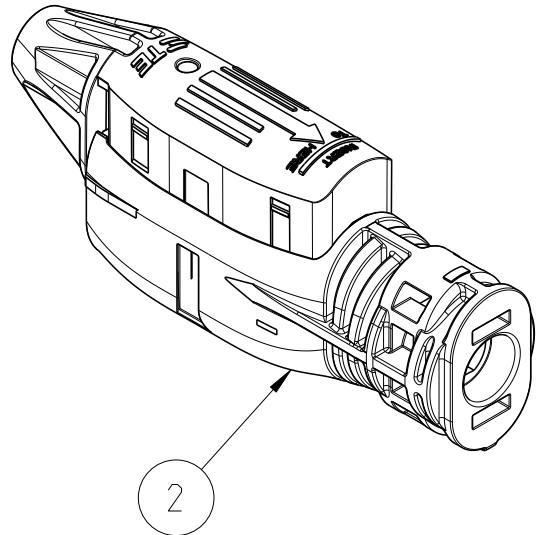
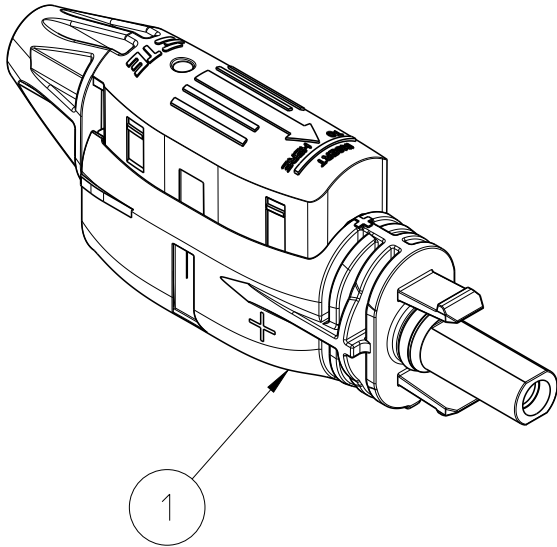


REVISIONS

P	LTR	DESCRIPTION	DATE	DWN	APVD
	A	RELEASED FOR PRODUCTION	05SEP2019	MZ	MZ
	B	REVISED PER ECR-20-000001	12MAR2020	SR	FD
	B1	REVISED PER ECN-22-151957/ECN-22-152402	04MAY2022	HM	AG
	B2	REVISED PER ECR-22-141594/ECN-22-158018	07JUN2022	HM	AG



NOTES:

- 1) FOR PACKAGING DETAILS REFER TO TE PACKAGING SPEC 107-133104.
- B2 2) FOR TCPN 2347245-1 AND 2347245-7, SUB PACKAGING IS PLASTIC BAG OF 10 SOCKET OR PIN CONNECTORS.
- B2 3) FOR TCPN 2347245-5, SUB PACKAGING IS SET OF INDIVIDUAL PIN AND SOCKET CONNECTOR IN A SEALED PLASTIC BAG.

© 2022 TE Connectivity. All Rights Reserved.

150	10	100	SOLARLOK 2.0 PIN CONNECTOR	BLACK	2
150	10	100	SOLARLOK 2.0 SOCKET CONNECTOR	BLACK	1
-5	-7	-1	DESCRIPTION	COLOUR	ITEM NO
B1	B	B	PART LIST		
QTY REQD PER ASSY					

DIMENSIONS: mm TOLERANCES UNLESS OTHERWISE SPECIFIED: 0 PLC ± 1 PLC ± 2 PLC ± 3 PLC ± 4 PLC ± ANGLES ±	DWN M. ZUCCA 19JUL2019	MATERIAL	FINISH		
	CHK M. ZUCCA 19JUL2019	TE Connectivity			
	APVD M. ZUCCA 19JUL2019				
	PRODUCT SPEC	NAME SOLARLOK 2.0 CONNECTOR KIT			
APPLICATION SPEC	SIZE	CAGE CODE	DRAWING NO	RESTRICTED TO	
WEIGHT	A 4	00779	C=2347245	-	
CUSTOMER DRAWING	SCALE	1:1	SHEET	1 OF 1	REV B2