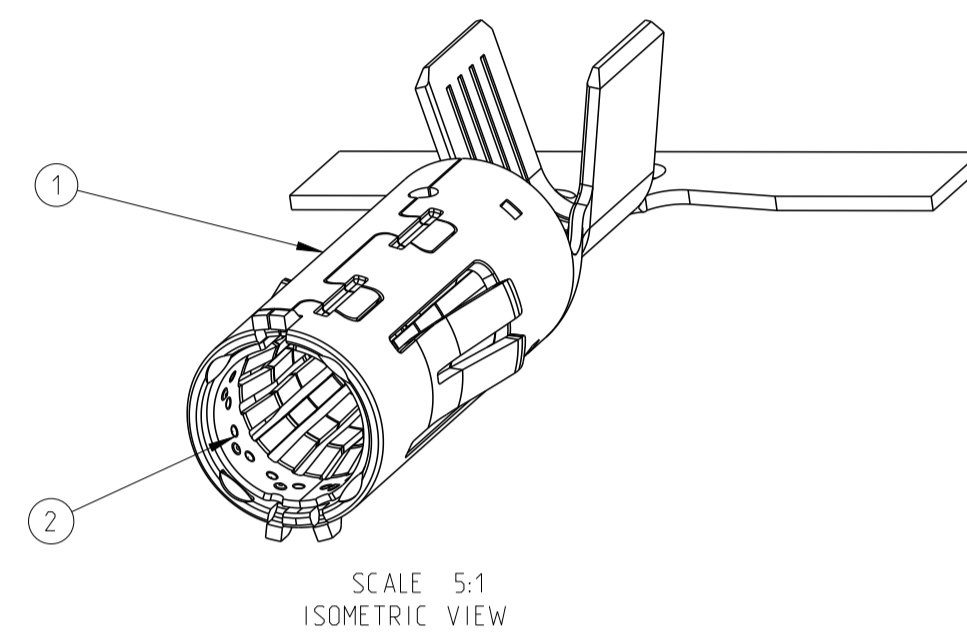
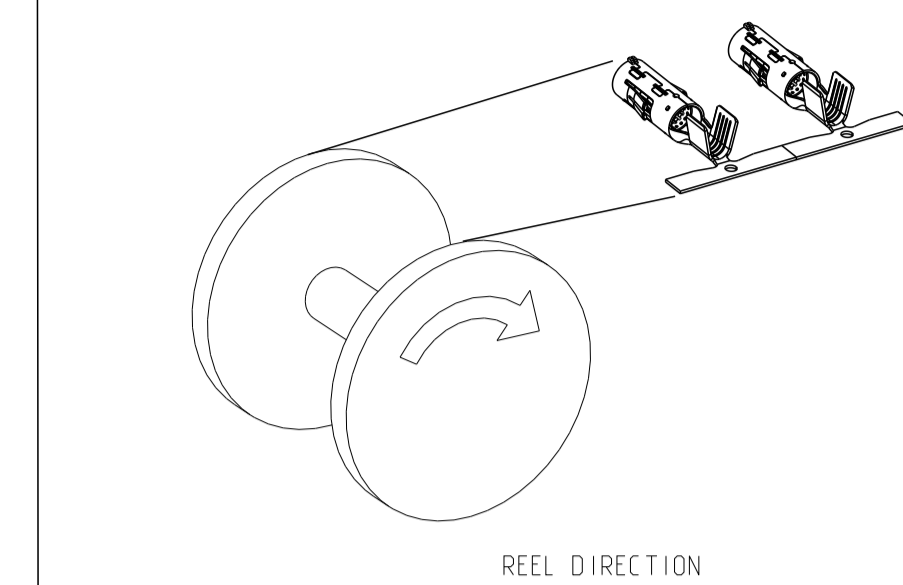


REVISIONS				
P	LTN	DESCRIPTION	DATE	APVD
C		INITIAL RELEASE	30AUG2021	J.Y
C1		ADD PN *-2349177-3	05JUL2023	J.Z
C2		REVISE WIRE RANGE	16JAN2025	R.W



- 1. PACKAGING: REEL
- 2. SUITABLE FOR PIN CONTACT: SEE DRAWING 2349180

PART NO.	REVISION	WIRE RANGE	ITEM	DESCRIPTION	MATERIAL	FINISH	DIM. A	DIM. B	DIM. C	DIM. D	DIM. E
2-2349177-3	A	6mm ²	2	SPRING	Cu-ALLOY	Ag	21.5	4.5	6.32	5.55	2.9
			1	BODY	Cu-ALLOY	Ag					
2-2349177-2	C	4.0-6.0mm ²	2	SPRING	Cu-ALLOY	Ag	21.5	4.5	5.83	5.33	2.9
			1	BODY	Cu-ALLOY	Ag					
2-2349177-1	C	2.5-3.0mm ²	2	SPRING	Cu-ALLOY	Ag	21	4	5.02	4.63	2.3
			1	BODY	Cu-ALLOY	Ag					
1-2349177-3	A	6mm ²	2	SPRING	Cu-ALLOY	Ag	21.5	4.5	6.32	5.55	2.9
			1	BODY	Cu-ALLOY	SnAg					
1-2349177-2	C	4.0-6.0mm ²	2	SPRING	Cu-ALLOY	Ag	21.5	4.5	5.83	5.33	2.9
			1	BODY	Cu-ALLOY	SnAg					
1-2349177-1	C	2.5-3.0mm ²	2	SPRING	Cu-ALLOY	Ag	21	4	5.02	4.63	2.3
			1	BODY	Cu-ALLOY	SnAg					

THIS DRAWING IS A CONTROLLED DOCUMENT.

DIMENSIONS: mm
 TOLERANCES UNLESS OTHERWISE SPECIFIED:
 0-2 PLG ±0.3
 3-4 PLG ±0.2
 ANGLES FINISH SEE TABLE

DWN: J.YIN 30AUG2021
 CHK: W.ZHANG 30AUG2021
 APVD: J.YIN 30AUG2021

PRODUCT SPEC: 108-32306
 APPLICATION SPEC: 116-16003B
 WEIGHT: -

CUSTOMER DRAWING
 SCALE: 10:1
 SHEET 1 OF 1
 REV: C2

TE TE Connectivity
 NAME: DIA. 4MM SOCKET CONTACT
 SIZE: 00779 C=2349177