

THIS DRAWING IS UNPUBLISHED.

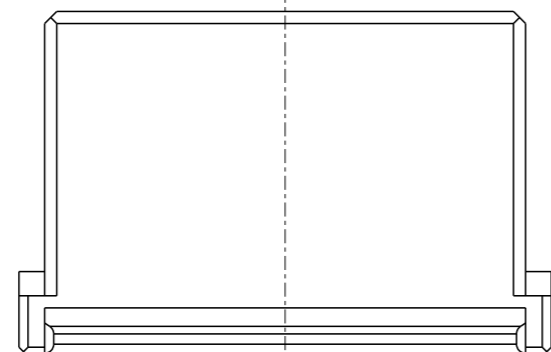
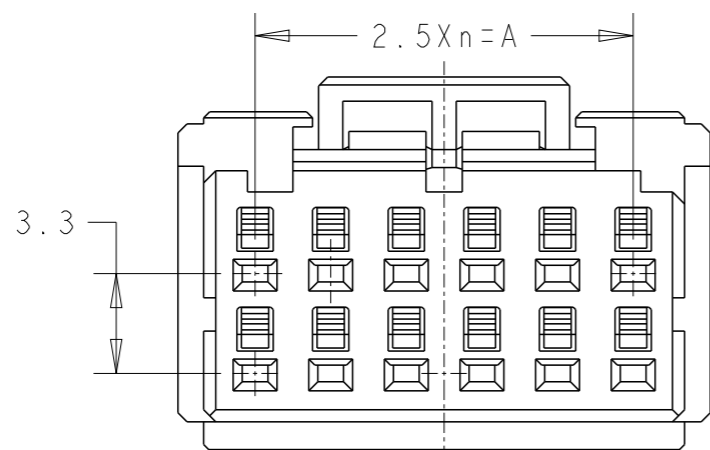
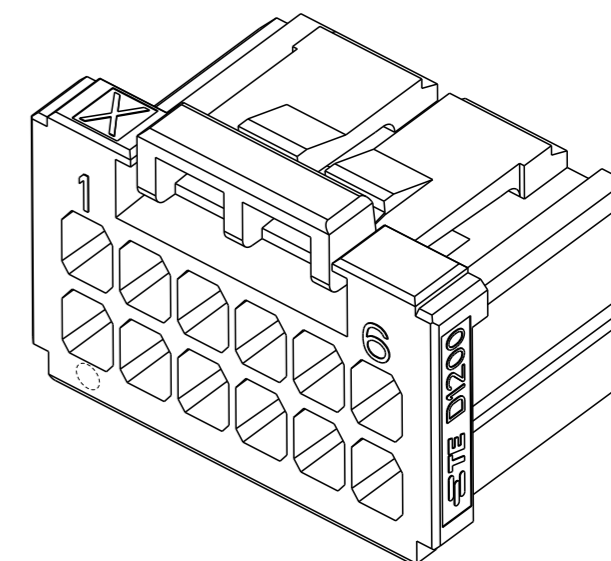
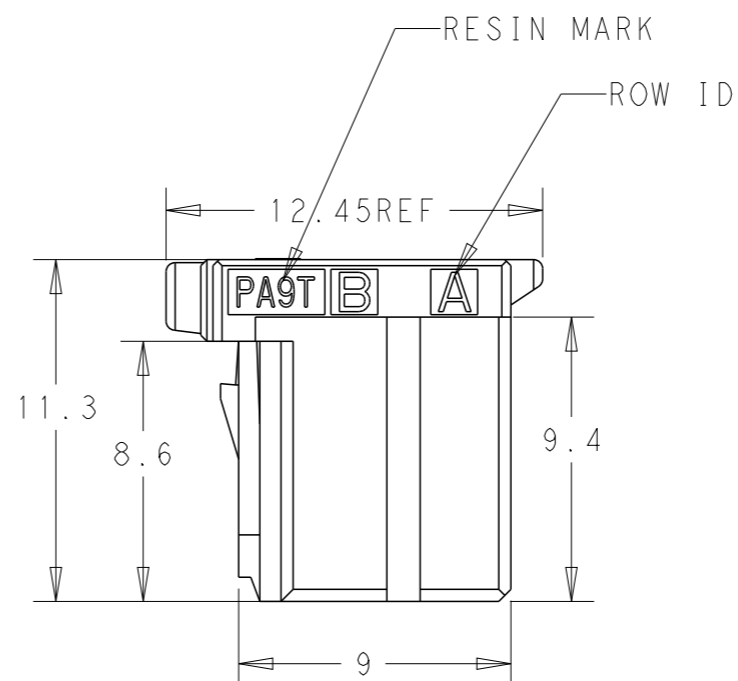
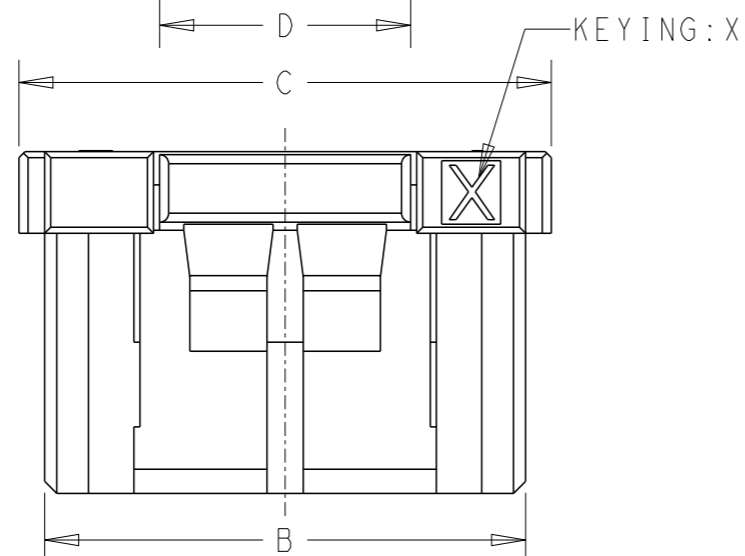
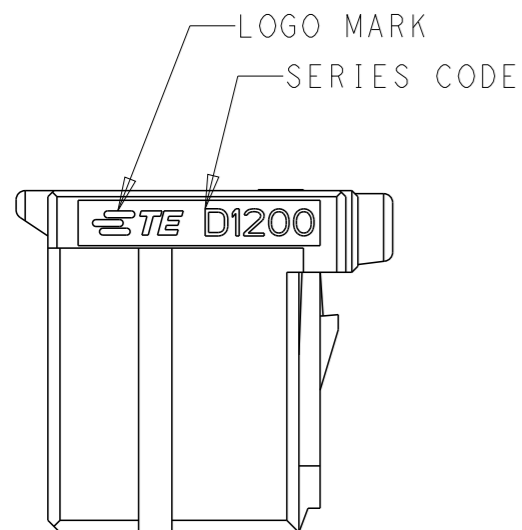
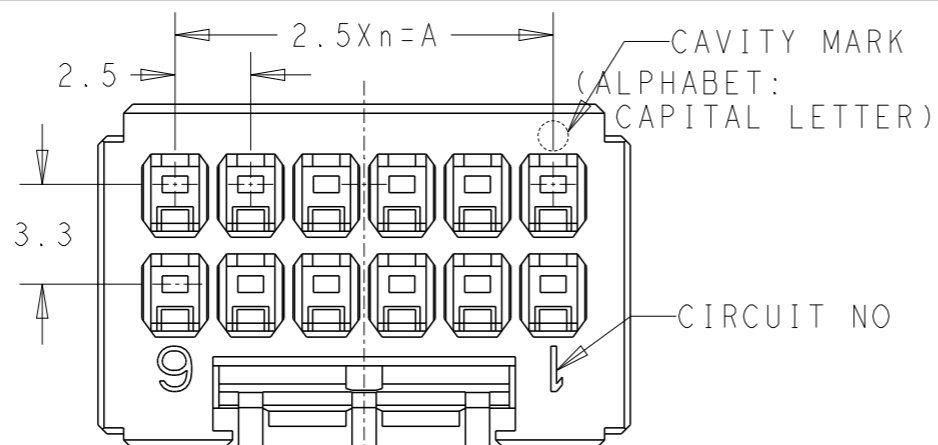
RELEASED FOR PUBLICATION

20

REVISIONS

© COPYRIGHT 20 BY - ALL RIGHTS RESERVED.

P	LTR	DESCRIPTION	DATE	DWN	APVD
	C1	REVISED PER ECR-23-188415	27SEP2023	R.W	R.B
	D	REVISED PER ECR-24-214097	12JUL2024	R.W	R.B



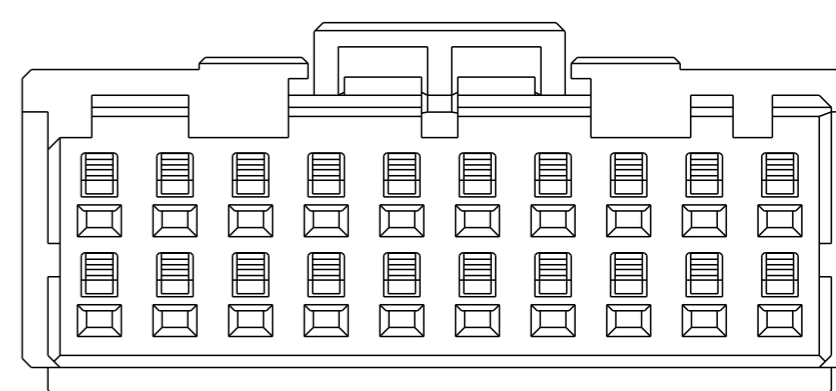
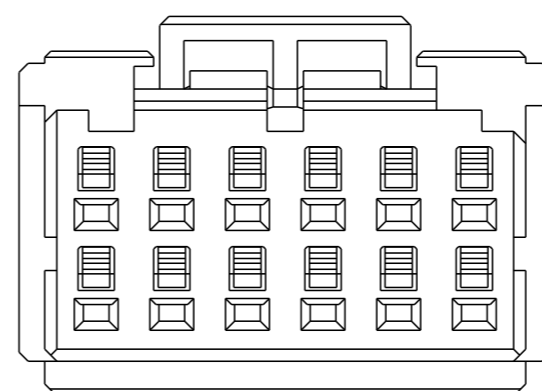
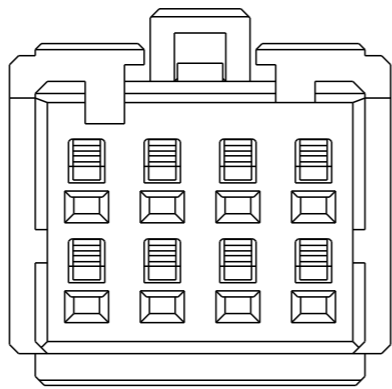
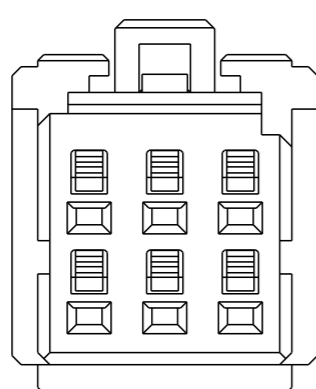
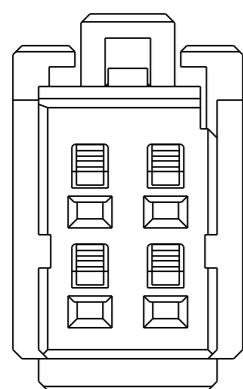
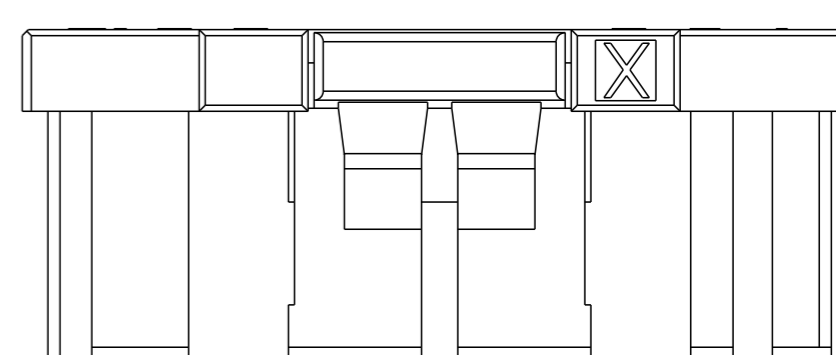
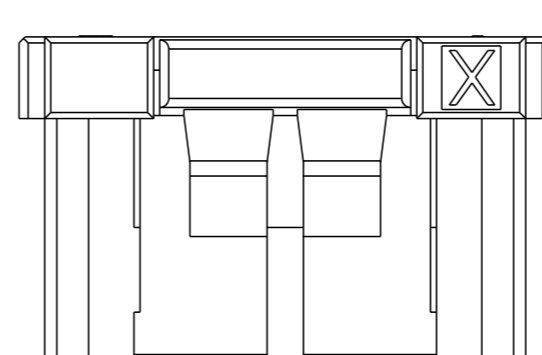
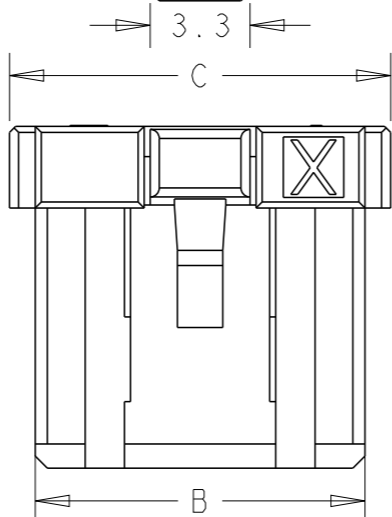
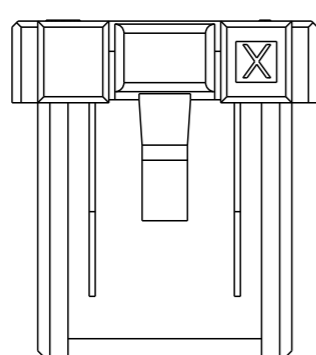
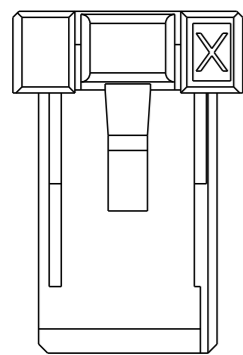
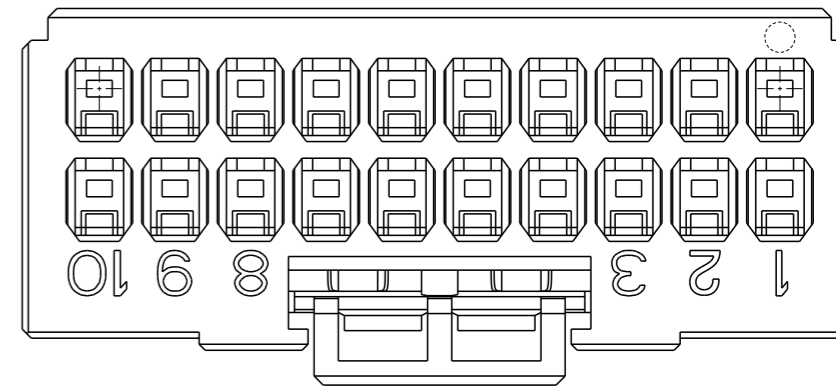
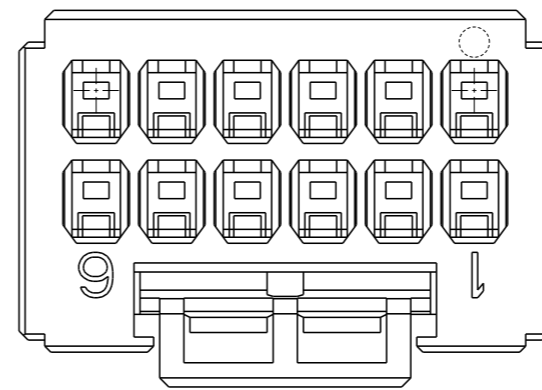
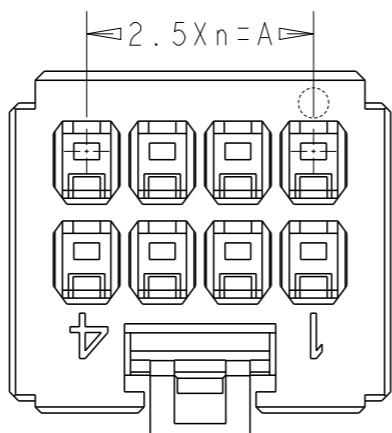
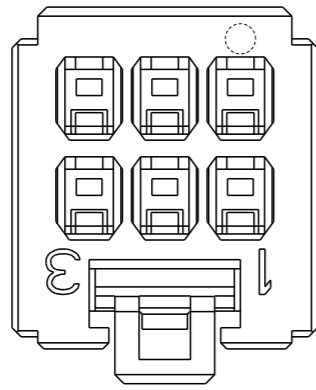
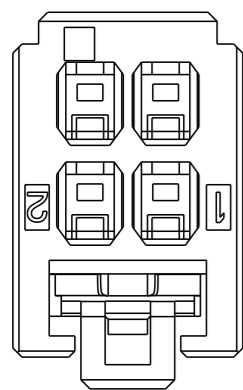
12POS(X-KEY):1-2349949-6

- 1 MATERIAL:GLASS FILED THERMO PLASTIC POLYESTER(94V-0), COLOR:BLACK
- 2.THE SHAPE, SIZE AND POSITION OF THE CHARACTER SHOW THE OUTLINE. THEY DON'T SHOW DETAILS.

20	X	9	22.5	25.9	27.6	8.3	1-2349949-0
12	Y	5	12.5	15.9	17.6	8.3	2-2349949-6
12	X	5	12.5	15.9	17.6	8.3	1-2349949-6
8	X	3	7.5	10.9	12.6	3.3	1-2349949-4
6	X	2	5.0	8.4	10.1	3.3	1-2349949-3
4	X	1	2.5	5.9	7.6	3.1	1-2349949-2
POSKEY	n	A	B	C	D		PART NO

THIS DRAWING IS A CONTROLLED DOCUMENT.		DWN	15-Jan-19	<b>TE Connectivity</b>		
		CHK	15JAN2019			
DIMENSIONS: mm		TOLERANCES UNLESS OTHERWISE SPECIFIED: ±0.3, ±5°		NAME <b>DYNAMIC D1200D 2.5mm PIITCH REC HSG 8-12POS</b>		
		±0.3, ±5°				
		0 PLC	±	PRODUCT SPEC 108-78298, 78268, 137366		
		1 PLC	±			
		2 PLC	±			
		3 PLC	±			
MATERIAL		4 PLC	±	APPLICATION SPEC 114-5377		
		ANGLES	±			
		FINISH	-	WEIGHT -		
				SIZE <b>A300779</b>		
				CAGE CODE <b>C-2349949</b>		
				DRAWING NO <b>C-2349949</b>		
				RESTRICTED TO -		
				SCALE 3:1		
				SHEET 1 OF 2		
				REV D		

P	LTR	DESCRIPTION	DATE	DWN	APVD
		SEE SHEET 1			



4POS: 1-2349949-2



6POS: 1-2349949-3

8POS: 1-2349949-4

12POS: 1-2349949-6

20POS: 1-2349949-0

Ⓐ ADD NEW PART: 1-2349949-0

THIS DRAWING IS A CONTROLLED DOCUMENT.		DWN FISHER.ZHU 15-Jan-19	 TE Connectivity		
DIMENSIONS: mm		CHK RICK.BIAN 15JAN2019			
TOLERANCES UNLESS OTHERWISE SPECIFIED:		APVD RICK.BIAN 15JAN2019	NAME DYNAMIC D1200D 2.5mm PIITCH REC HSG 8-12POS		
		PRODUCT SPEC	RESTRICTED TO		
MATERIAL		APPLICATION SPEC 114-5377	SIZE A3	CAGE CODE 00779	DRAWING NO 2349949
FINISH		WEIGHT -	SCALE 3:1	SHEET 2 OF 2	REV D
CUSTOMER DRAWING					