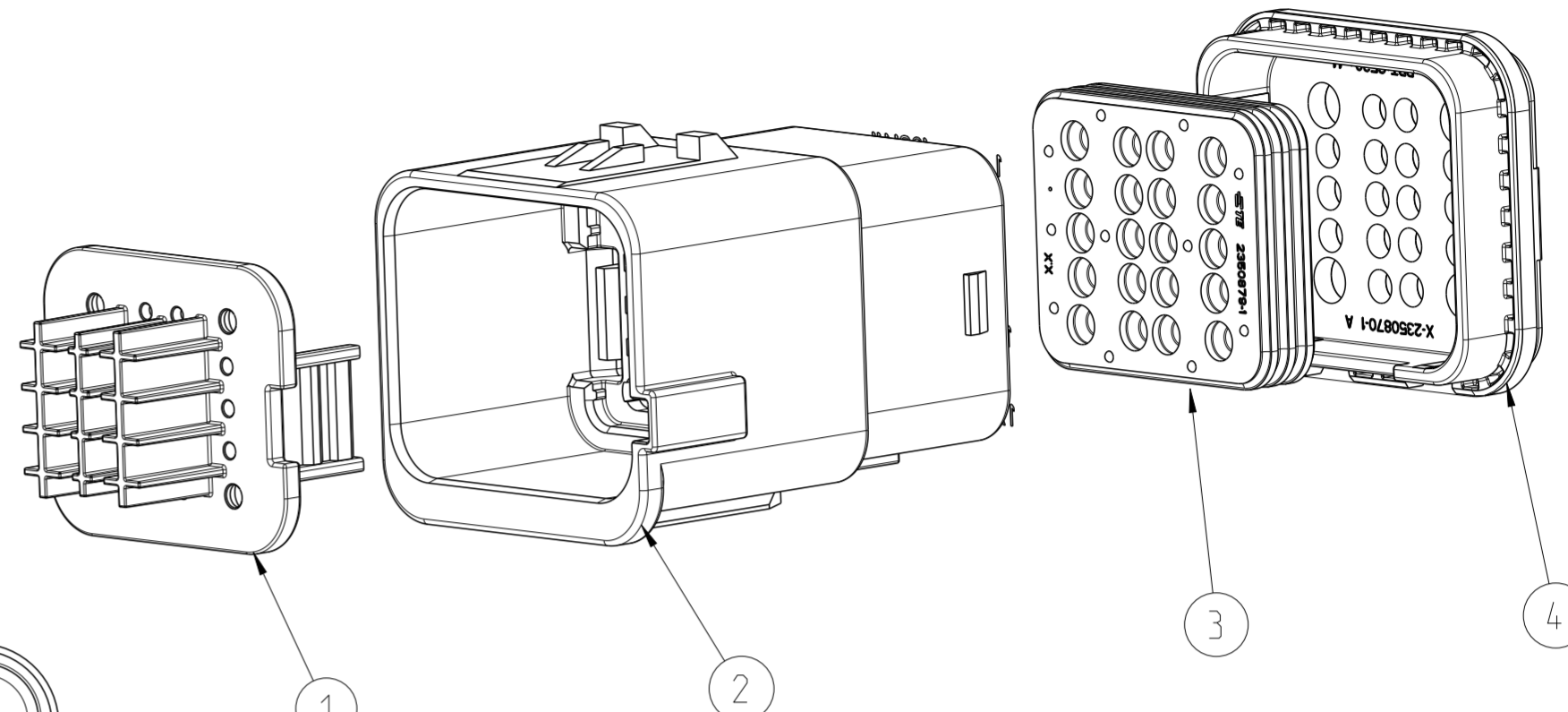
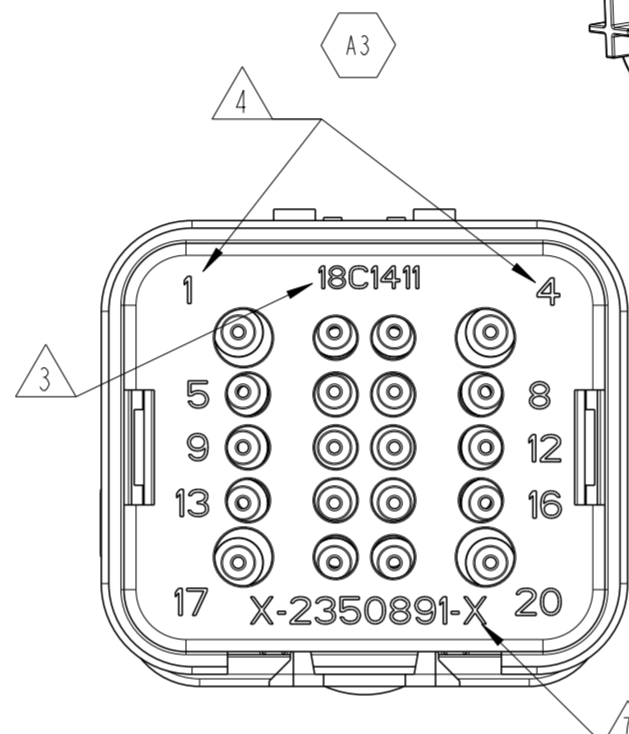
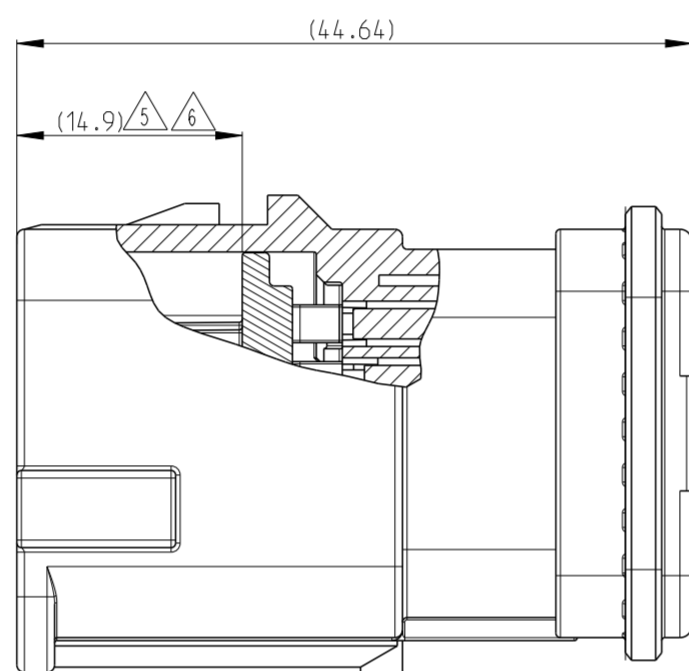
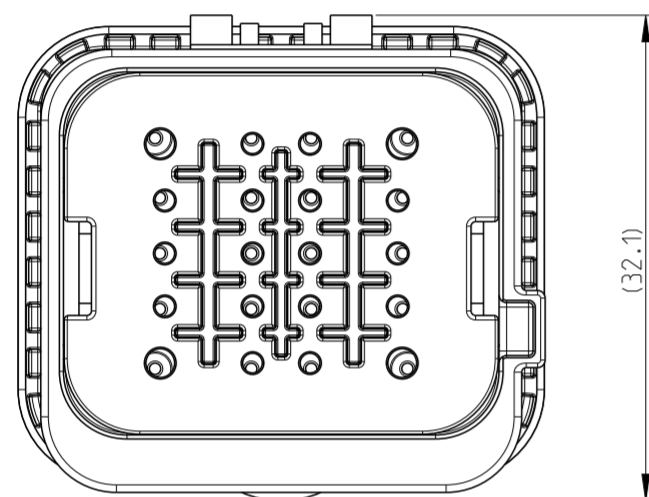
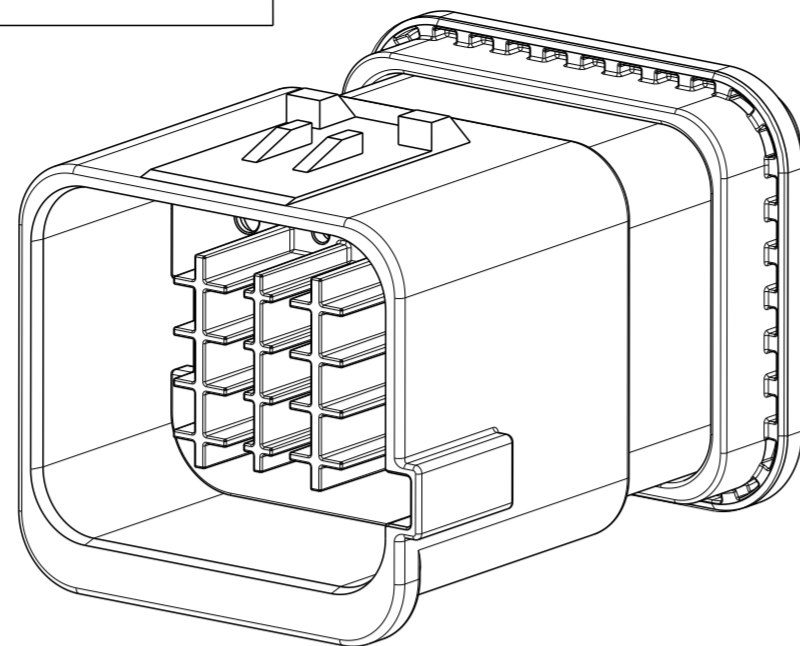
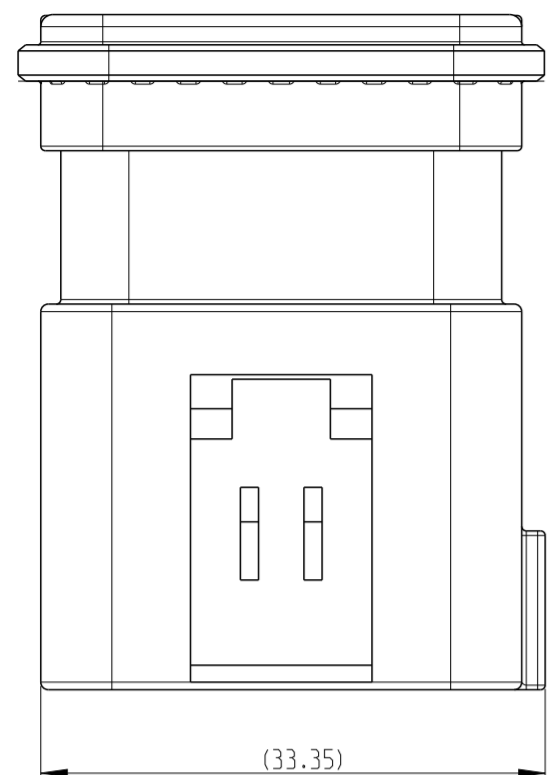


THIS DRAWING IS UNPUBLISHED. RELEASED FOR PUBLICATION
COPYRIGHT copyright_date BY - ALL RIGHTS RESERVED.

REVISIONS					
P	LTR	DESCRIPTION	DATE	DWN	APVD
A		INITIAL RELEASE	28MAR2019	C.W	I.Y
A1		ECR-20-000774	16JAN2020	C.W	E.J
A2		SEE ECR-21-003354	19MAR2021	L.G	I.Y
A3		ECN-24-254806	06MAR2024	J.S	Z.Z



NOTES:

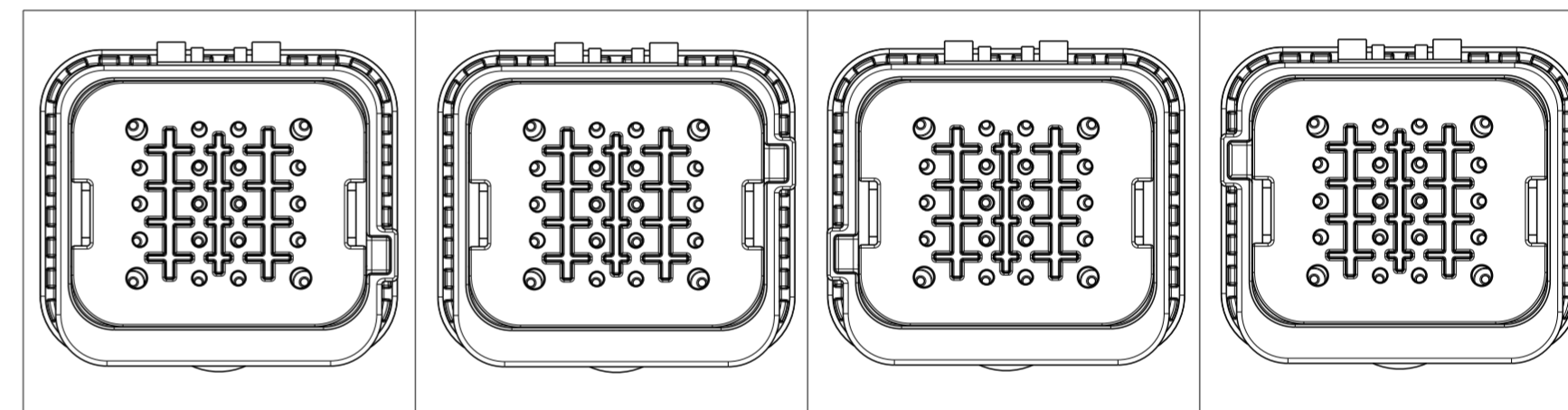
- 1. THIS PLUG MATES WITH TAB HOUSING ASSEMBLY PN 2350890-X, 1-2350890-X (X=1, 2, 3, 4 FOR VARIOUS CODE).
- 2. MATERIAL: HOUSING: PBT GF30, SEE PN TABLE FOR COLOR
TPA: PBT GF30, YELLOW
FRONT SEAL: VMQ(ORANGE)
GROMMET:VMQ(RED)
REAR CAP: PBT GF30, BLACK

- ⚠ DATE CODE: IDENTIFIES THE YEAR, MONTH, DAY AND HOUR OF ASSEMBLY.
YEAR: FIRST AND SECOND DIGITS(17=2017)
MONTH: THIRD DIGIT , EXCLUDING 1 , A=JAN, B=FEB, C=MARCH...(K=OCTOBER)
DAY: FOURTH AND FIFTH DIGITS(14=14th DAY)
HOUR: SIXTH AND SEVENTH DIGITS(11=11AM)
- ⚠ IDENTIFICATION FOR CABLE PINOUT.
- ⚠ TPA SEATED ON PRE-LOCK POSITION FOR DELIVERY.
- ⚠ PULL TPA TO PRE-LOCK BEFORE TERMINAL INSERTION IN CASE OF TPA BEING HIT TO END-LOCK POSITION.
- ⚠ PART NO.

- 8. REFER TO 114-151001 FOR DT SIZE 16 TERMINAL APPLICATION SPECIFICATION. REFER TO 114-151003 FOR DT SIZE 20 TERMINAL APPLICATION SPECIFICATION. APPLICABLE TERMINAL PART NUMBERS AND WIRE SIZE:

TERMINAL PN	WIRE SIZE (MM2)	INSULATION WIRES(MM)	PINOUT NUMBER
16#	0.5~2.5	∅1.40~∅3.00	1, 4, 17, 20
20#	0.5~1.5	∅1.40~∅2.40	OTHER PINS

- 9. 1-2350891-1/1-2350891-2/1-2350891-3/1-2350891-4 IS ASSEMBLED WITH SUPPORT CUSTION ONLY FOR VIBRATION ENHANCEMENT(UNSEAL APPLICATION ON PANEL CUTOUT)
- 10. 2-2350891-1/2-2350891-2/2-2350891-3/2-2350891-4 IS ASSEMBLED WITH FACIAL SEAL FOR VIBRATION AND SEAL APPLICATION ON PANEL CUTOUT



CODING A PN:2350891-1				CODING B PN:2350891-2				CODING C PN:2350891-3				CODING D PN:2350891-4			
1	-	-	-	1	-	-	-	1	1	1	1	1	-	-	-
-	1	-	-	-	1	-	-	-	-	-	-	-	1	-	-
-	-	-	1	-	-	1	-	-	-	-	1	-	-	-	1
-	-	-	-	1	-	-	-	-	-	-	-	-	-	-	-
1	1	1	1	1	-	-	-	1	1	1	1	1	-	-	-
-	1	-	-	-	1	-	-	-	-	-	-	-	1	-	-
-	-	-	1	-	-	1	-	-	-	-	1	-	-	-	1
-	-	-	-	-	-	-	1	-	-	-	-	-	-	-	-
1	1	1	1	1	1	1	1	1	1	1	1	1	1	1	1
QTY. REQUEST PER ASSY				QTY. REQUEST PER ASSY				QTY. REQUEST PER ASSY				QTY. REQUEST PER ASSY			
27.8	27.8	27.8	27.8	27.8	27.8	27.8	27.8	27.8	27.8	27.8	27.8	27.8	27.8	27.8	27.8
A	A	A	A	A	A	A	A	A	A	A	A	A	A	A	A
2350891-4	2350891-3	2350891-2	2350891-1	2350891-4	2350891-3	2350891-2	2350891-1	2350891-4	2350891-3	2350891-2	2350891-1	2350891-4	2350891-3	2350891-2	2350891-1
WEIGHT OF EACH ASSY(g)				WEIGHT OF EACH ASSY(g)				WEIGHT OF EACH ASSY(g)				WEIGHT OF EACH ASSY(g)			
REVISION OF EACH ASSY NO.				REVISION OF EACH ASSY NO.				REVISION OF EACH ASSY NO.				REVISION OF EACH ASSY NO.			
TE ASSEMBLY PN				TE ASSEMBLY PN				TE ASSEMBLY PN				TE ASSEMBLY PN			

THIS DRAWING IS A CONTROLLED DOCUMENT.

DWN: C.WAN 02MAR2019
CHK: E.JIANG 28MAR2019
APVD: J.YIN 02MAR2019

NAME: _____

PRODUCT SPEC: 108-101662
APPLICATION SPEC: 114-32209

SIZE: A2 CAGE CODE: 00779 DRAWING NO: C-2350891 RESTRICTED TO: -

MATERIAL: - FINISH: - WEIGHT: -

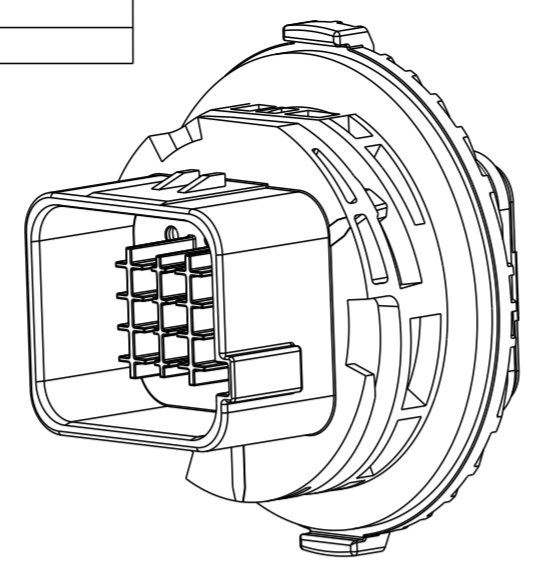
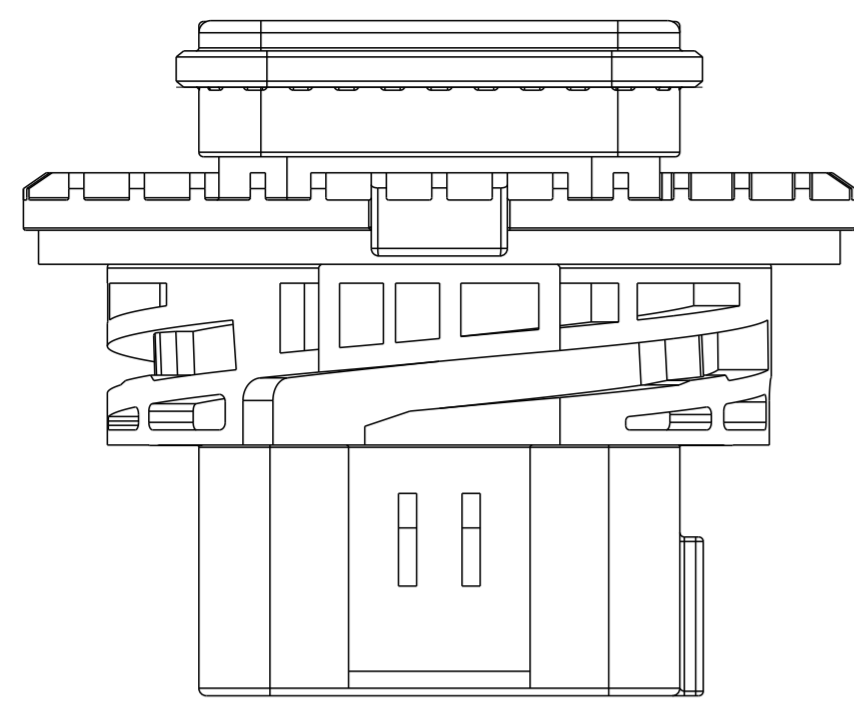
CUSTOMER DRAWING SCALE: 1:1 SHEET: 1 OF 2 REV: A3

STE TE Connectivity

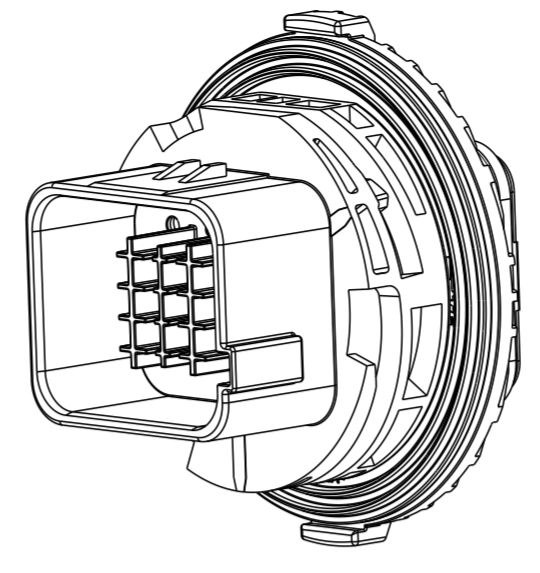
NTS 20POS TAB HOUSING ASSEMBLY
DEUTSCH TERMINAL HYBRID CONNECTOR

THIS DRAWING IS UNPUBLISHED. RELEASED FOR PUBLICATION
COPYRIGHT copyright_date BY - ALL RIGHTS RESERVED.

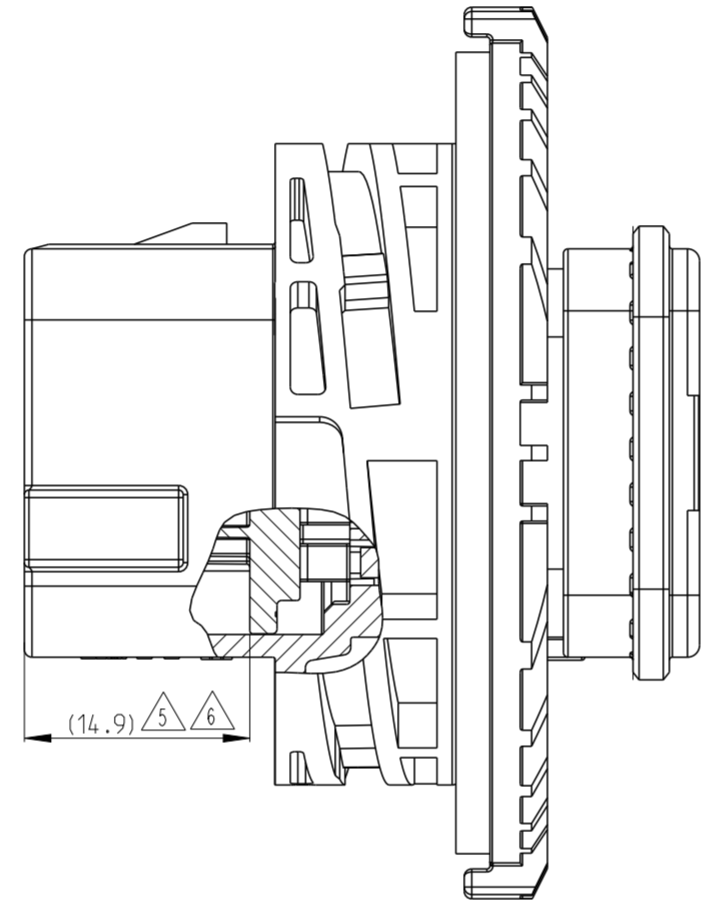
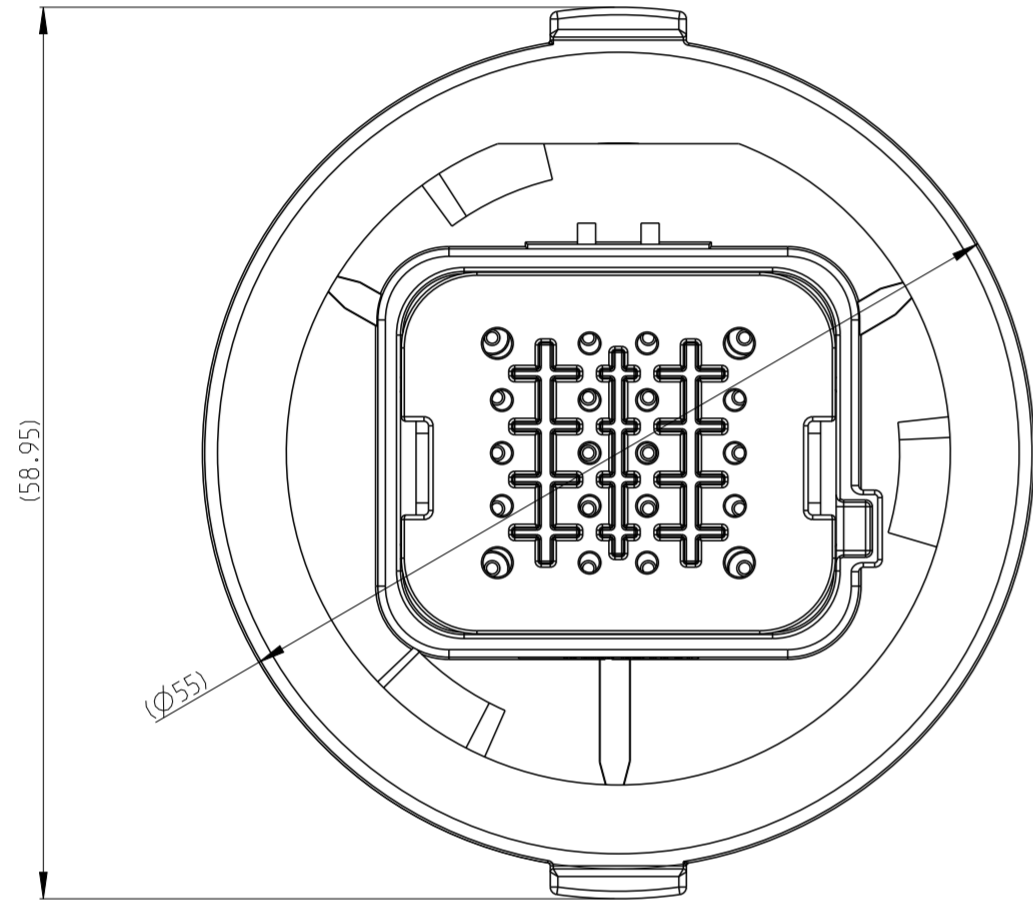
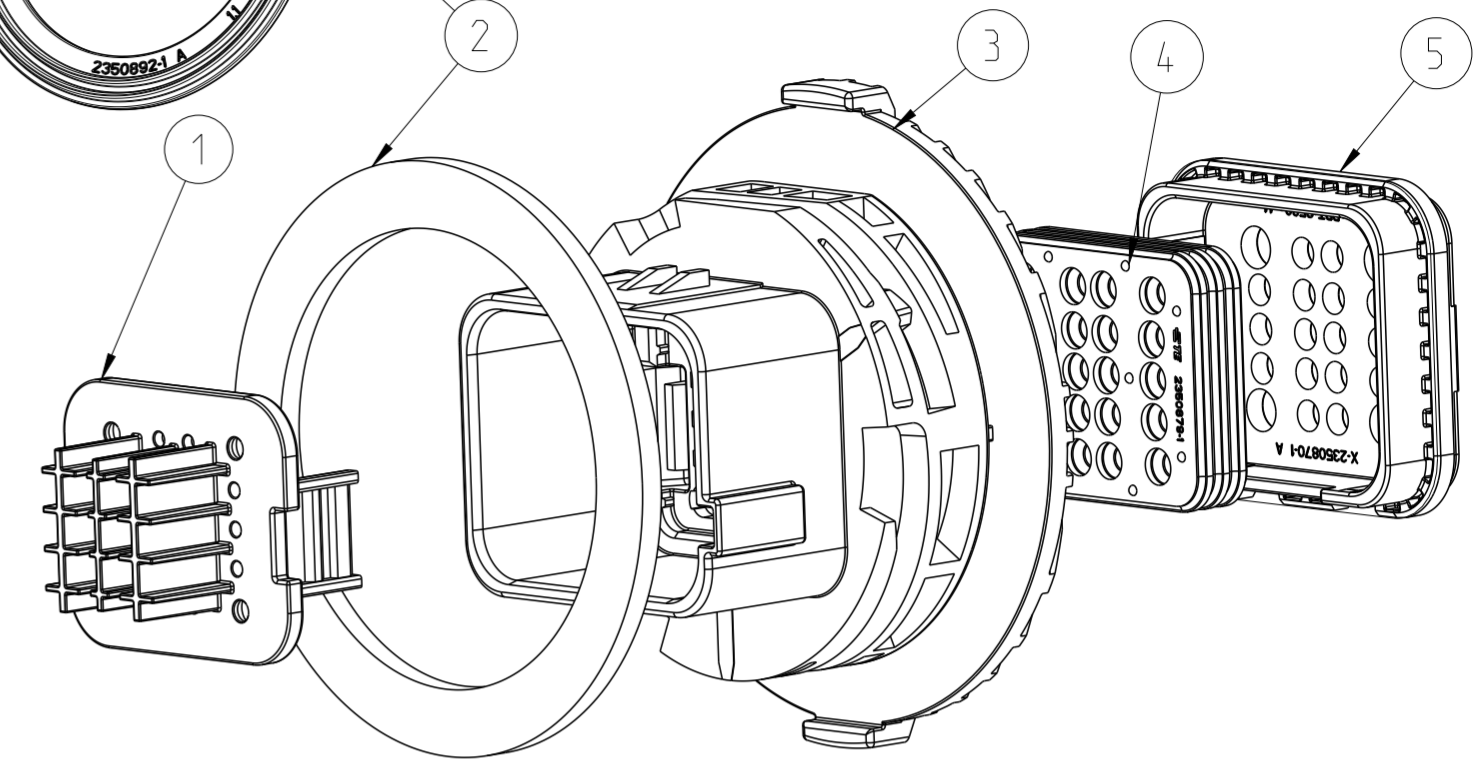
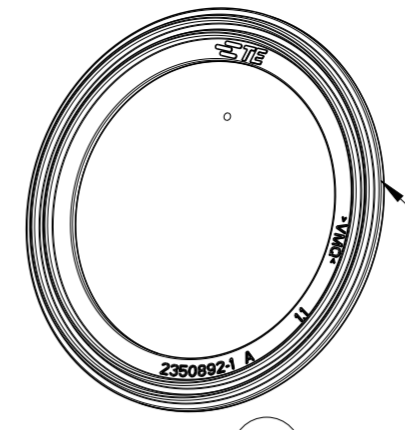
REVISIONS				
P	LTR	DESCRIPTION	DATE	APVD
		SEE SHEET 1		



CUSHION VERSION
 1-2350891-1
 1-2350891-2
 1-2350891-3
 1-2350891-4

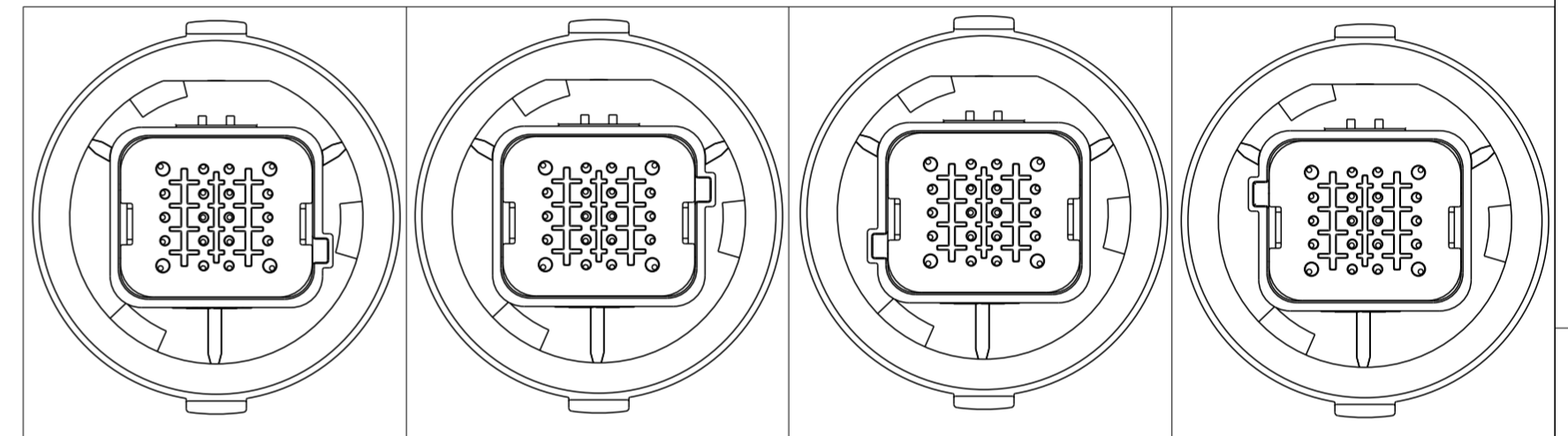


FACIAL SEAL VERSION
 2-2350891-1
 2-2350891-2
 2-2350891-3
 2-2350891-4

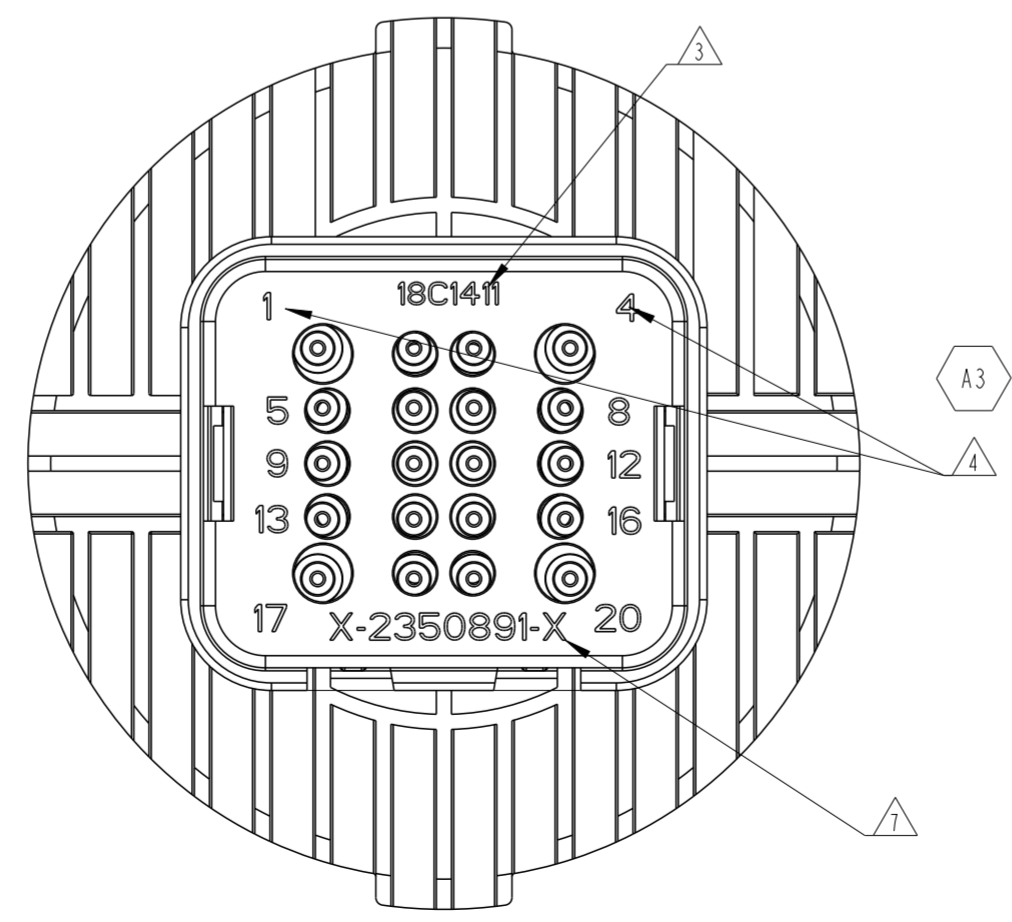
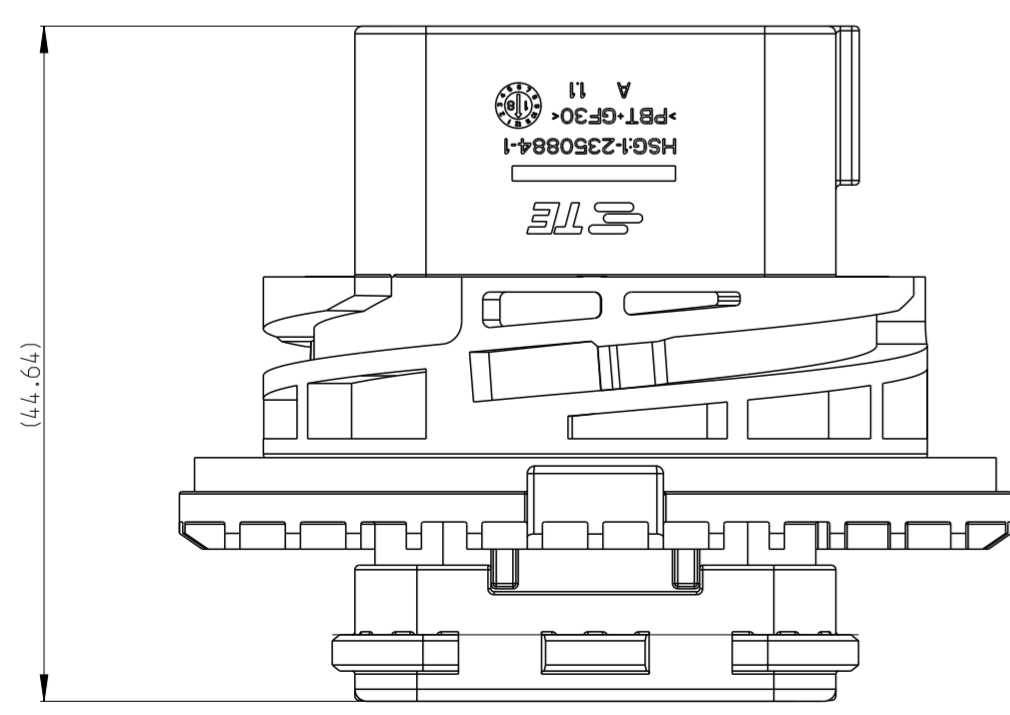


SECTION A-A

VIEW C



CODING A PN:1-2350891-1 2-2350891-1								CODING B PN:1-2350891-2 2-2350891-2								CODING C PN:1-2350891-3 2-2350891-3								CODING D PN:1-2350891-4 2-2350891-4															
1	-	-	-	1	-	-	-	1	-	-	-	1	-	-	-	1	-	-	-	1	-	-	-	1	-	-	-	1	-	-	-	5							
-	1	-	-	-	1	-	-	-	1	-	-	-	1	-	-	-	1	-	-	-	1	-	-	-	1	-	-	-	1	-	-								
-	-	1	-	-	-	1	-	-	-	1	-	-	-	1	-	-	-	1	-	-	-	1	-	-	-	1	-	-	-	1	-								
-	-	-	1	-	-	-	1	-	-	-	1	-	-	-	1	-	-	-	1	-	-	-	1	-	-	-	1	-	-	-	1								
1	1	1	1	1	1	1	1	1	1	1	1	1	1	1	1	1	1	1	1	1	1	1	1	1	1	1	1	1	1	1	4								
1	-	-	-	1	-	-	-	1	-	-	-	1	-	-	1	-	-	-	1	-	-	-	1	-	-	-	1	-	-	-	3								
-	1	-	-	-	1	-	-	-	1	-	-	-	1	-	-	1	-	-	-	1	-	-	-	1	-	-	-	1	-	-									
-	-	1	-	-	-	1	-	-	-	1	-	-	-	1	-	-	1	-	-	-	1	-	-	-	1	-	-	-	1	-									
-	-	-	1	-	-	-	1	-	-	-	1	-	-	-	1	-	-	-	1	-	-	-	1	-	-	-	1	-	-	-	1								
1	1	1	1	1	-	-	-	1	1	1	1	-	-	-	1	1	1	1	-	-	-	-	1	1	1	1	-	-	-	-	2								
1	1	1	1	1	1	1	1	1	1	1	1	1	1	1	1	1	1	1	1	1	1	1	1	1	1	1	1	1	1	1	1								
QTY. REQUEST PER ASSY								COLOR								MATERIAL								DESCRIPTION								ITEM NO							
42.4	42.4	42.4	42.4	42.4	42.7	42.7	42.7	42.7	WEIGHT OF EACH ASSY(g)																														
A	A	A	A	A	A	A	A	A	REVISION OF EACH ASSY NO.																														
2--4	2--3	2--2	2--1	1--4	1--3	1--2	1--1		TE ASSEMBLY PN																														



VIEW C

THIS DRAWING IS A CONTROLLED DOCUMENT.

DWN C. WAN 02MAR2019	 TE Connectivity	NTS 20POS TAB HOUSING ASSEMBLY DEUTSCH TERMINAL HYBRID CONNECTOR			
CHK E. JIANG 28MAR2019					
APVD J. YIN 02MAR2019					
NAME					
DIMENSIONS: mm	TOLERANCES UNLESS OTHERWISE SPECIFIED: 0 PLC ± 1 PLC ±0.2 2 PLC ±0.25 3 PLC ± 4 PLC ± ANGLES ± FINISH	PRODUCT SPEC 108-101662 APPLICATION SPEC			
MATERIAL	WEIGHT	SIZE A2	CAGE CODE 00779	DRAWING NO C-2350891	RESTRICTED TO
CUSTOMER DRAWING			SCALE 2:1	SHEET 2 OF 2	REV A3