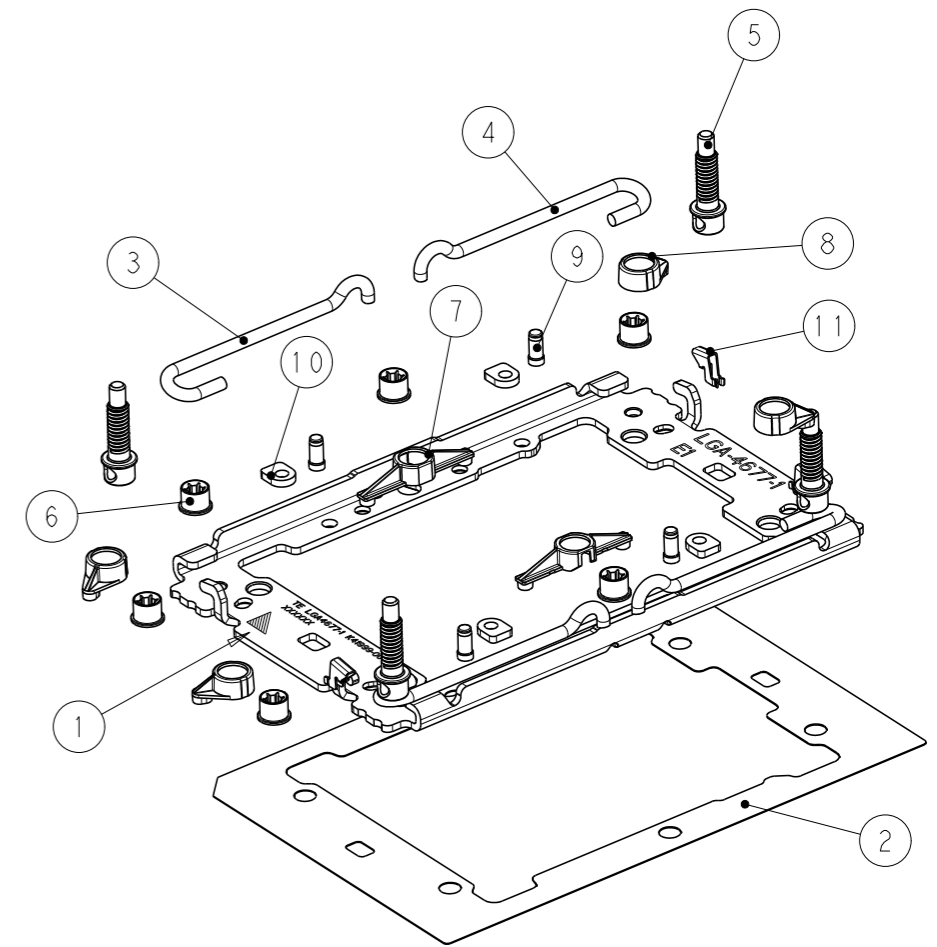
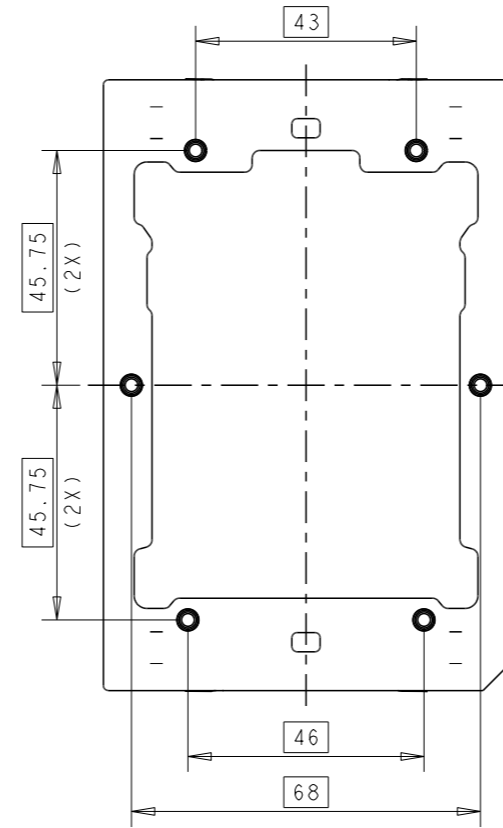
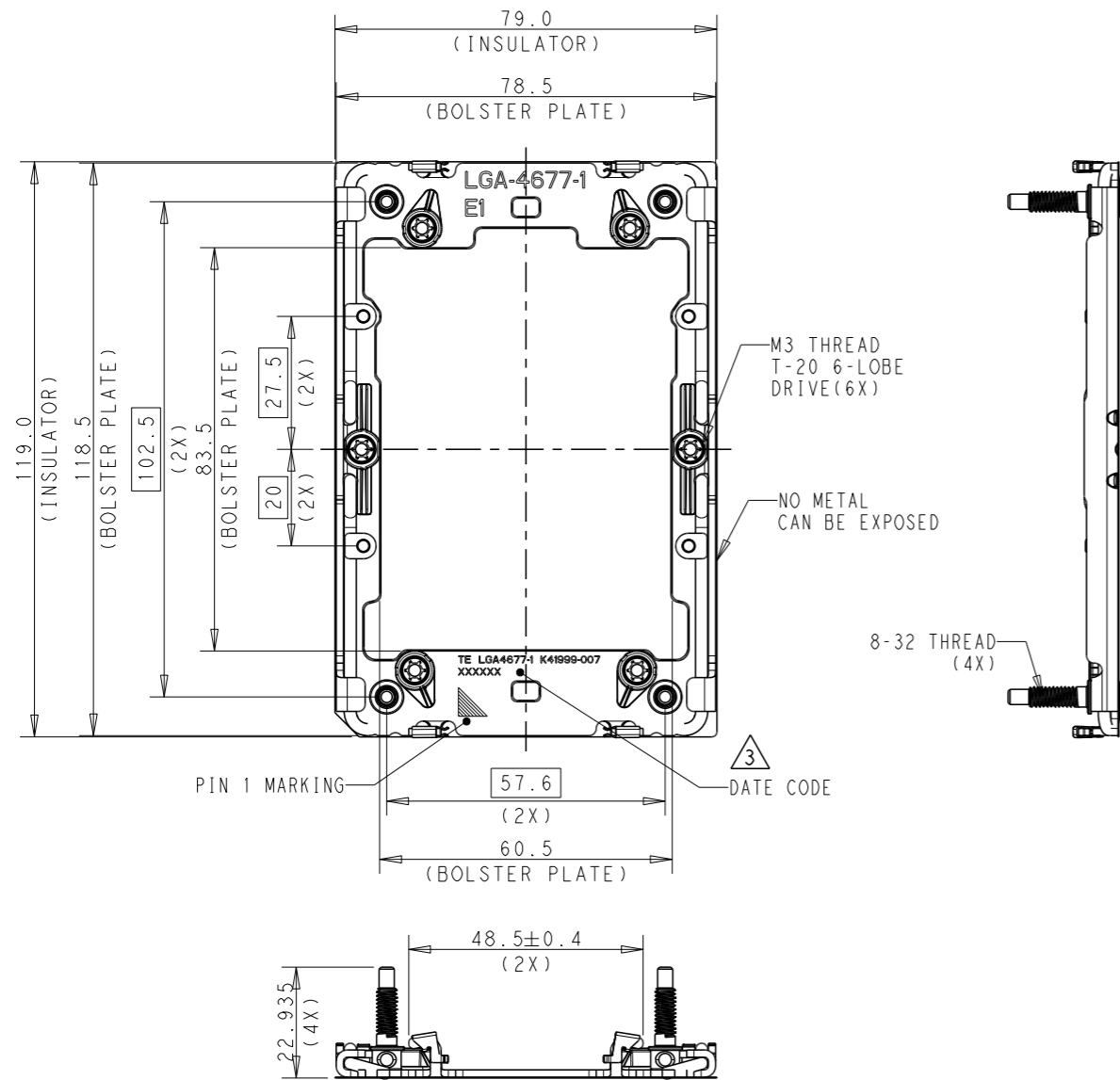


REVISIONS				
P	LTR	DESCRIPTION	DATE	DWN APVD
	A4	REVISED	08NOV23	J.W S.L

P/N: 2-2351050-4/-6 AS SHOW



Q'TY	DESCRIPTION	ITEM
4	EGS STEPPED FLANGE CLIP	11
4	EGS TFLM WIRE RETENTION SHIM	10
4	EGS TFLM WIRE STOP PIN	9
4	ICX TFLM NUT CAP, BLACK	8
2	EGS TFLM NUT CAP, SIDE, BLACK	7
6	ICX TFLM M3 NUT	6
4	ICX TFLM SPRING STUD	5
2	EGS TFLM SPRING-2	4
2	EGS TFLM SPRING-1	3
1	EGS TFLM BOLSTER INSULATOR	2
1	EGS TFLM BOLSTER PLATE	1

NOTES:

1. MATERIAL:

- ① EGS TFLM BOLSTER PLATE: STAINLESS STEEL
- ② EGS TFLM BOLSTER INSULATOR:
-POLYCARBONATE FILM PLUS ACRYLIC ADHESIVE LAYER
- ③ EGS TFLM SPRING-1: MUSIC WIRE, NICKEL PLATING
- ④ EGS TFLM SPRING-2: MUSIC WIRE, NICKEL PLATING
- ⑤ ICX TFLM SPRING STUD: STAINLESS STEEL
- ⑥ ICX TFLM M3 NUT : CARBON STEEL, NICKEL PLATING
- ⑦ EGS TFLM NUT CAP-SIDE: THERMO-PLASTIC, UL94V-0, BLACK
- ⑧ ICX TFLM NUT CAP: THERMO-PLASTIC, UL94V-0, BLACK
- ⑨ EGS TFLM WIRE STOP PIN: STAINLESS STEEL
- ⑩ EGS TFLM WIRE RETENTION SHIM: STAINLESS STEEL
- ⑪ EGS STEPPED FLANGE CLIP: STAINLESS STEEL

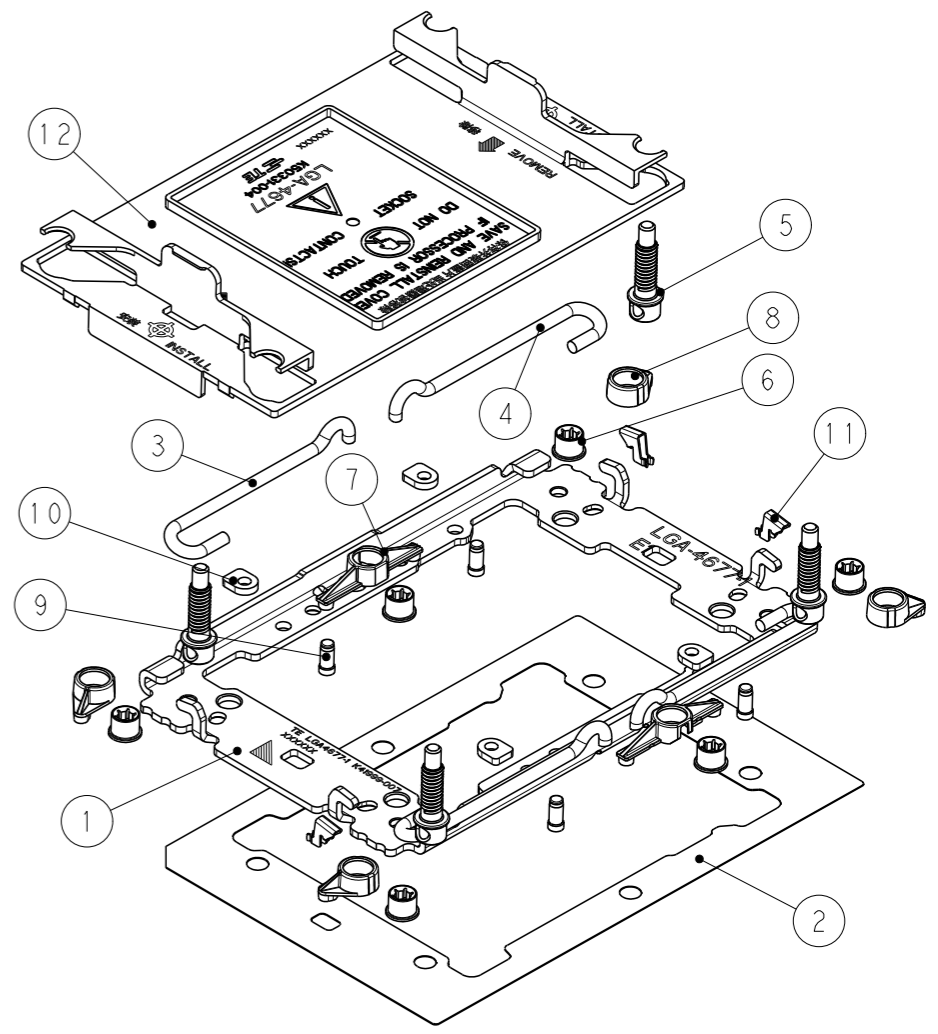
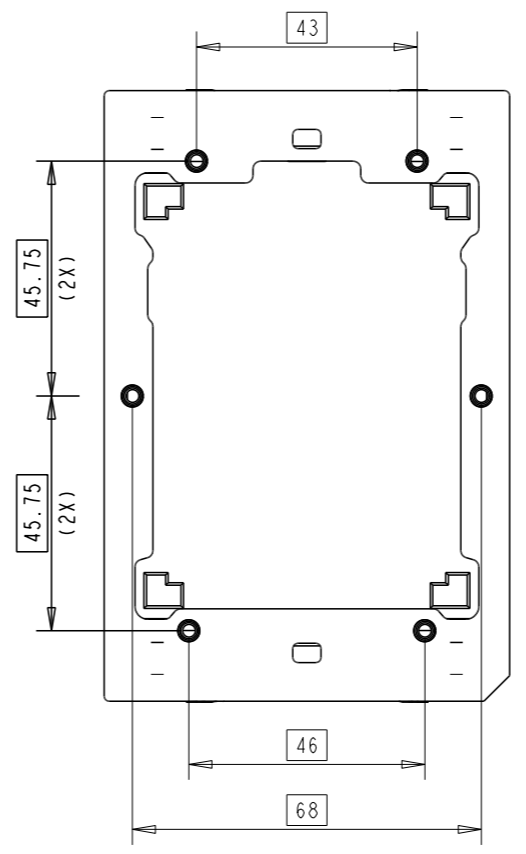
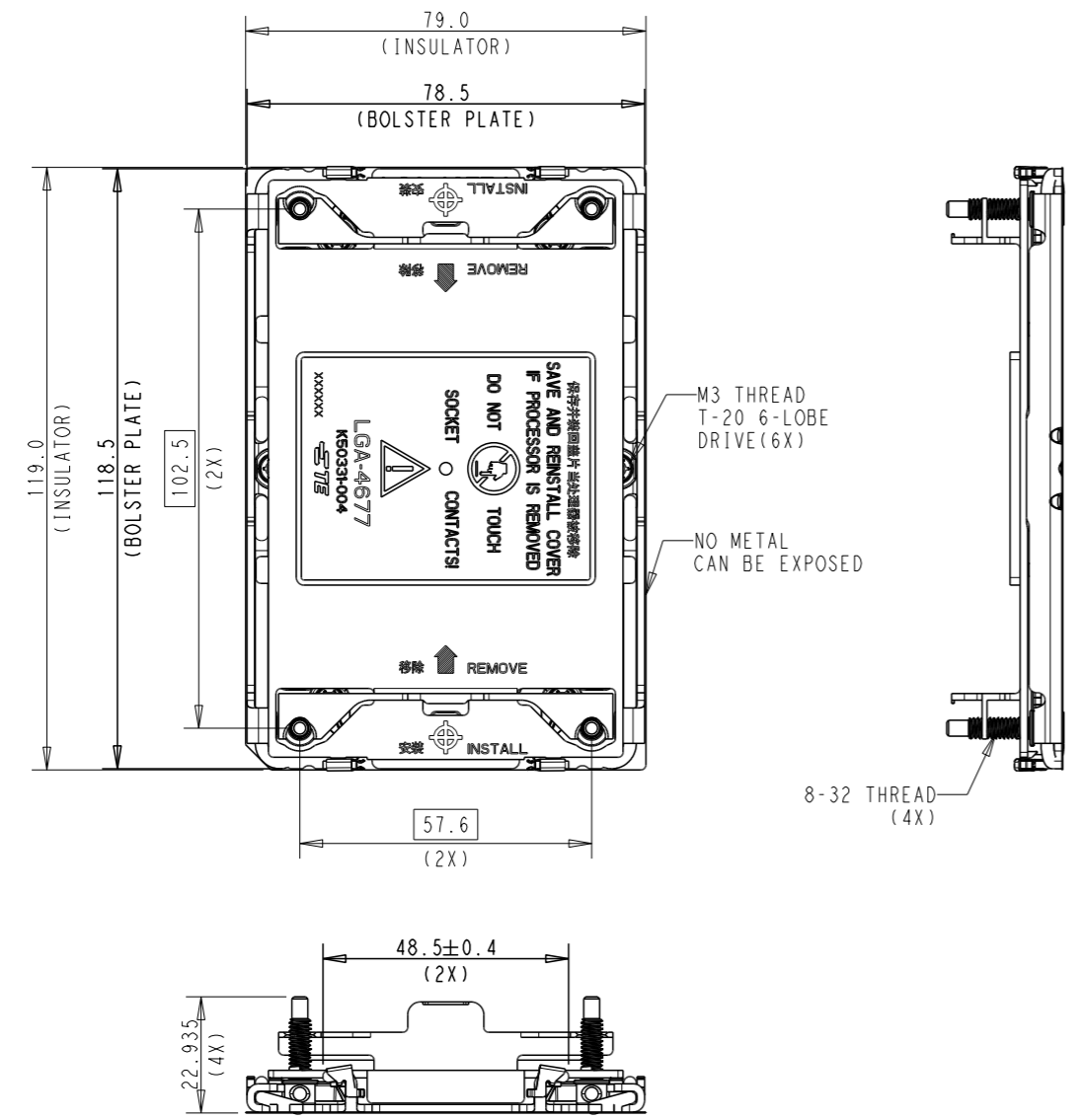
- 2. ASSEMBLED WITH BACKPLATE ASSEMBLY P/N: 2351050 SERIES
- 3. INDICATED DATE CODE ON THE BOLSTER PLATE

THIS DRAWING IS A CONTROLLED DOCUMENT.

DIMENSIONS: mm	TOLERANCES UNLESS OTHERWISE SPECIFIED: 0 PLC ±0.3 1 PLC ±0.3 2 PLC ±0.3 3 PLC ±0.3 4 PLC ± ANGLES ± FINISH	DWN JEFF WANG 06AUG2019 CHK BILL LV 06AUG2019 APVD SIMON LI 06AUG2019 PRODUCT SPEC 108-115173 APPLICATION SPEC 114-115032 WEIGHT -	TE Connectivity		RESTRICTED TO
MATERIAL		NAME LGA4677-1 SOCKET SOCKET E1 TFLM ASSEMBLY	SIZE A2	CAGE CODE 00779	DRAWING NO C=2351050
CUSTOMER DRAWING			SCALE 1:1	SHEET 1 OF 4	REV A4

REVISIONS				
P	LTR	DESCRIPTION	DATE	DWN APVD

P/N: 2-2351050-5/-7 AS SHOW



Q'TY	DESCRIPTION	ITEM
1	SOCKET COVER, BLACK	12
4	EGS STEPPED FLANGE CLIP	11
4	EGS TFLM WIRE RETENTION SHIM	10
4	EGS TFLM WIRE STOP PIN	9
4	ICX TFLM NUT CAP, BLACK	8
2	EGS TFLM NUT CAP, SIDE, BLACK	7
6	ICX TFLM M3 NUT	6
4	ICX TFLM SPRING STUD	5
2	EGS TFLM SPRING-2	4
2	EGS TFLM SPRING-1	3
1	EGS TFLM BOLSTER INSULATOR	2
1	EGS TFLM BOLSTER PLATE	1

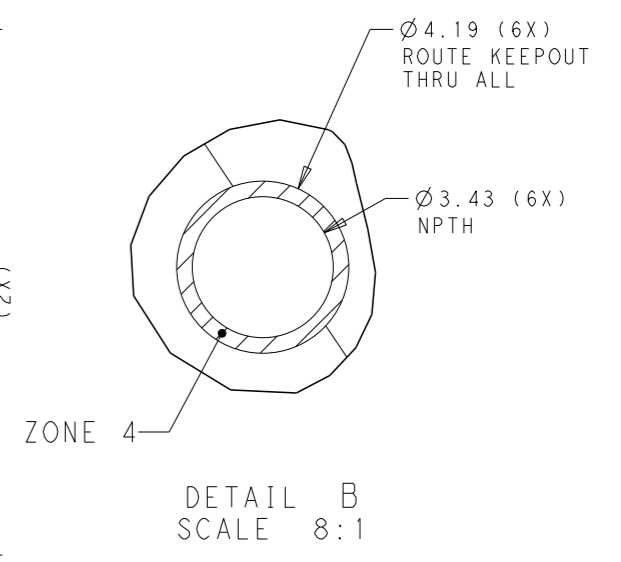
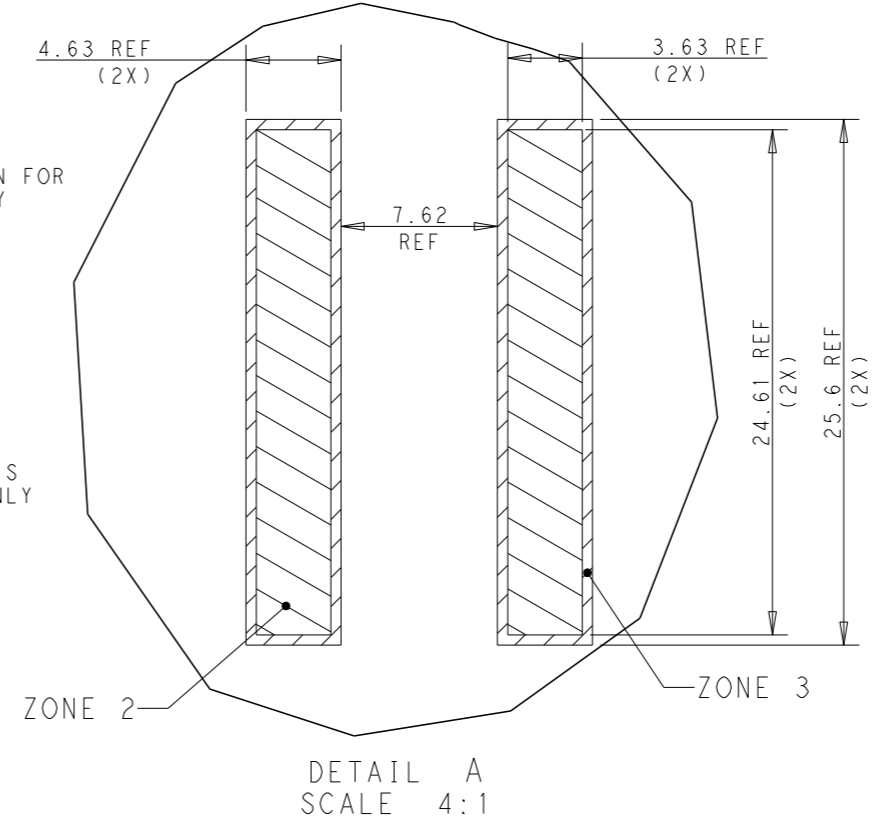
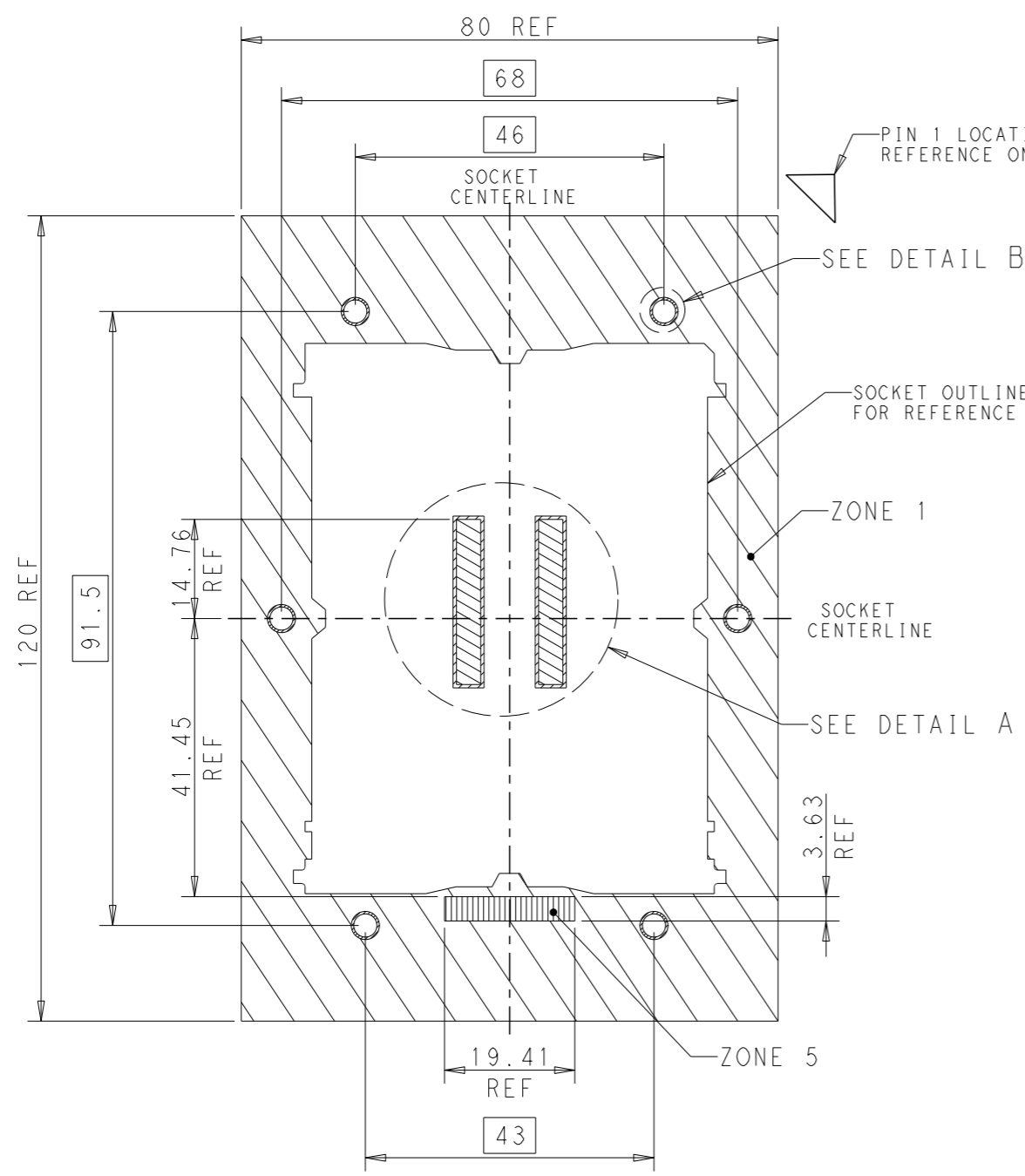
- NOTES:
- MATERIAL:
 - ① EGS TFLM BOLSTER PLATE: STAINLESS STEEL
 - ② EGS TFLM BOLSTER INSULATOR: -POLYCARBONATE FILM PLUS ACRYLIC ADHESIVE LAYER
 - ③ EGS TFLM SPRING-1: MUSIC WIRE, NICKEL PLATING
 - ④ EGS TFLM SPRING-2: MUSIC WIRE, NICKEL PLATING
 - ⑤ ICX TFLM SPRING STUD: STAINLESS STEEL
 - ⑥ ICX TFLM M3 NUT : CARBON STEEL, NICKEL PLATING
 - ⑦ EGS TFLM NUT CAP-SIDE: THERMO-PLASTIC, UL94V-0, BLACK
 - ⑧ ICX TFLM NUT CAP: THERMO-PLASTIC, UL94V-0, BLACK
 - ⑨ EGS TFLM WIRE STOP PIN: STAINLESS STEEL
 - ⑩ EGS TFLM WIRE RETENTION SHIM: STAINLESS STEEL
 - ⑪ EGS STEPPED FLANGE CLIP: STAINLESS STEEL
 - ⑫ SOCKET COVER: PC+ABS, UL94-0, BLACK
 - ASSEMBLED WITH BACKPLATE ASSEMBLY P/N: 2351050 SERIES
 - BOLSTER ASSY WITH SOCKET COVER, ALL DIMENSION IS SAME AS THE PN 2-2351050-4

THIS DRAWING IS A CONTROLLED DOCUMENT.

DWN	JEFF WANG	06AUG2019	TE Connectivity
CHK	BILL LV	06AUG2019	
APVD	SIMON LI	06AUG2019	
NAME	LGA4677-1 SOCKET SOCKET E1 TFLM ASSEMBLY		
DIMENSIONS:	mm	TOLERANCES UNLESS OTHERWISE SPECIFIED:	PRODUCT SPEC 108-115173 APPLICATION SPEC 114-115032
MATERIAL	-	-	SIZE A200779 CAGE CODE C=2351050 DRAWING NO RESTRICTED TO -
CUSTOMER DRAWING			SCALE 1:1 SHEET 2 OF 4 REV A4

Printed on 7 Nov 2023 13:37 (China Standard Time) from M4032745

REVISIONS				
P	LTR	DESCRIPTION	DATE	DWN APVD



KOZ LEGEND	
	ZONE 1: BOLSTER PLATE ZONE, NO OTHER COMPONENT PLACEMENT ALLOWED, 0.0MM HEIGHT RESTRICTION
	ZONE 2: SOCKET CAVITY 1.22 MM MAX HEIGHT RESTRICTION
	ZONE 3: SOCKET CAVITY TO SOCKET ZONE NO COMPONENT PLACEMENT ALLOWED, 0.0MM HEIGHT RESTRICTION
	ZONE 4: NO ROUTE ZONE, THROUGH ALL LAYERS
	ZONE 5: PRIMARY SIDE COMPONENT PLACEMENT ZONE MAX. COMPONENT HEIGHT OF 1.5MM

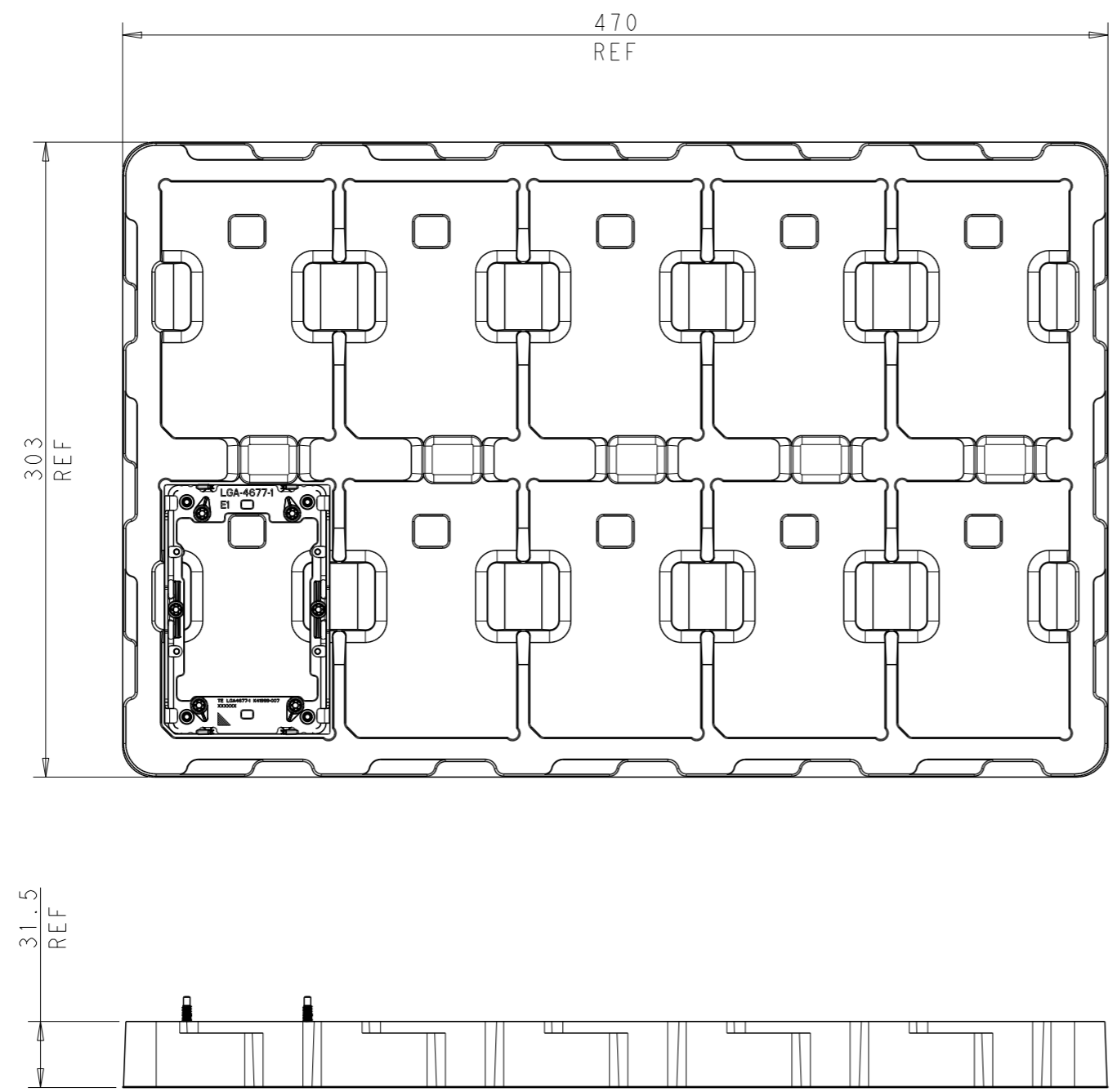
REFERENCE BOLSTER KEEPOUT ZONE

FOR GENERAL BOARD DESIGN, PLEASE REFER TO THE THERMAL AND MECHANICAL DESIGN GUIDELINES PROVIDED BY INTEL

THIS DRAWING IS A CONTROLLED DOCUMENT.		DWN JEFF WANG 06AUG2019	TE Connectivity	
DIMENSIONS: mm		CHK BILL LV 06AUG2019		
TOLERANCES UNLESS OTHERWISE SPECIFIED:		APVD SIMON LI 06AUG2019	NAME LGA4677-1 SOCKET SOCKET E1 TFLM ASSEMBLY	
0 PLC ±0.3 1 PLC ±0.3 2 PLC ±0.3 3 PLC ±0.3 4 PLC ± ANGLES ±3 FINISH -		PRODUCT SPEC 108-115173	RESTRICTED TO	
MATERIAL -		APPLICATION SPEC 114-115032	SIZE A2	CAGE CODE 00779
		WEIGHT -	DRAWING NO C=2351050	
		CUSTOMER DRAWING	SCALE 1:1	SHEET 3 OF 4 REV A4

REVISIONS				
P	LTR	DESCRIPTION	DATE	APVD

P/N 2-2351050-X PACKING AS SHOW



NOTE: PN 2-2351050-X, 10PCS/TRAY, 80PCS/BOX

THIS DRAWING IS A CONTROLLED DOCUMENT.		DWN JEFF WANG 06AUG2019	TE Connectivity	
DIMENSIONS: mm		CHK BILL LV 06AUG2019		
TOLERANCES UNLESS OTHERWISE SPECIFIED: 0 PLC ±0.3 1 PLC ±0.3 2 PLC ±0.3 3 PLC ±0.3 4 PLC ± ANGLES ± FINISH		APVD SIMON LI 06AUG2019	NAME LGA4677-1 SOCKET SOCKET E1 TFLM ASSEMBLY	
		PRODUCT SPEC 108-115173	RESTRICTED TO	
MATERIAL		APPLICATION SPEC 114-115032	SIZE A2	CAGE CODE 00779
-		WEIGHT	DRAWING NO C=2351050	SCALE 1:1
-		CUSTOMER DRAWING	SHEET 4	OF 4
-			REV A4	

Printed on 7 Nov 2023 13:37 (China Standard Time) from M4032745