

THIS DRAWING IS UNPUBLISHED.

RELEASED FOR PUBLICATION

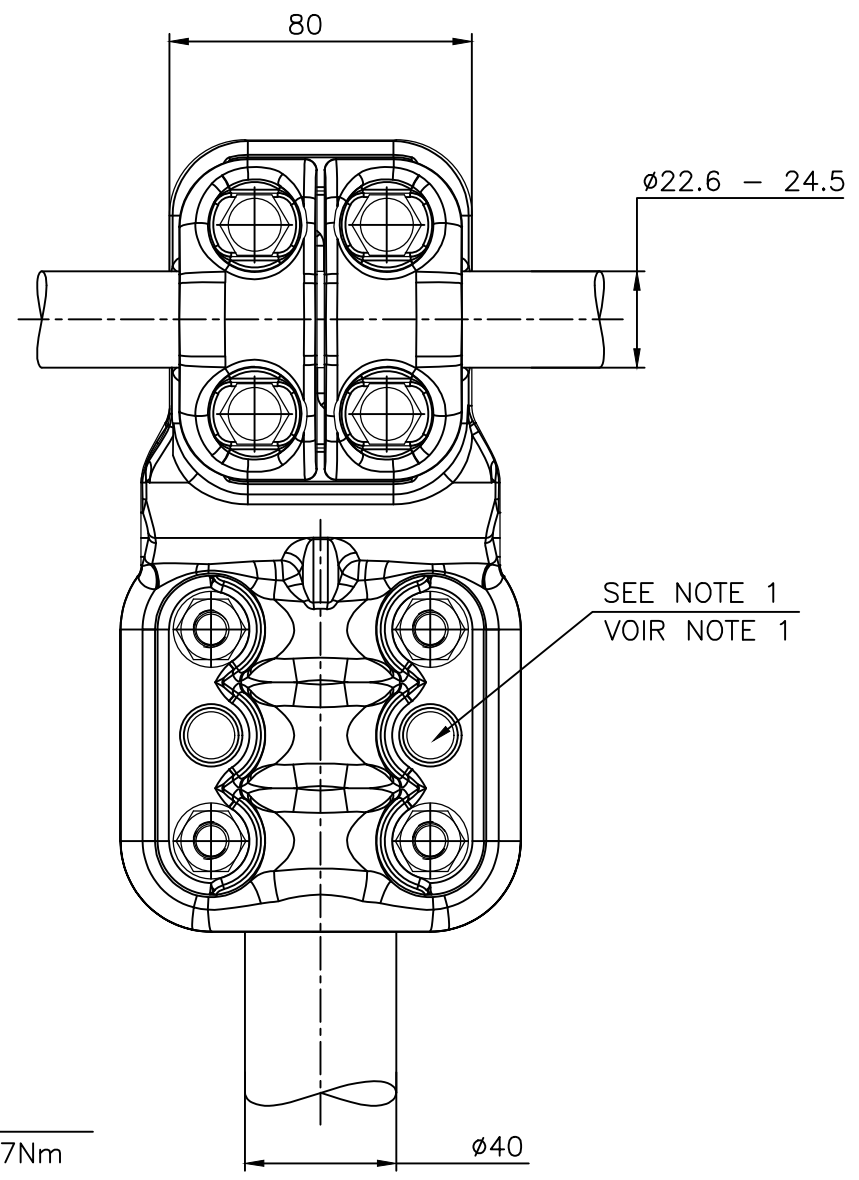
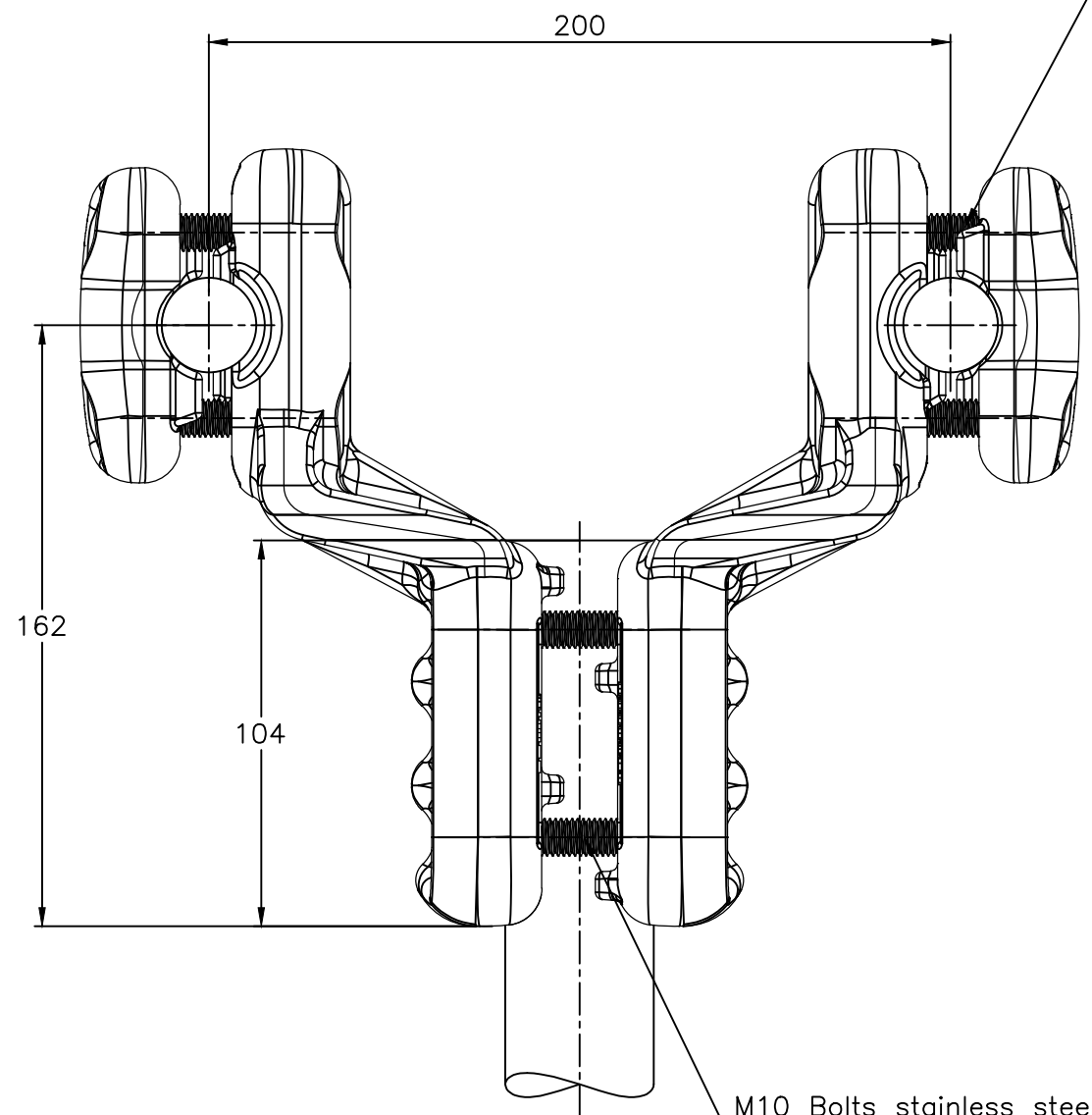
ALL RIGHTS RESERVED.

© COPYRIGHT - By -

REVISIONS

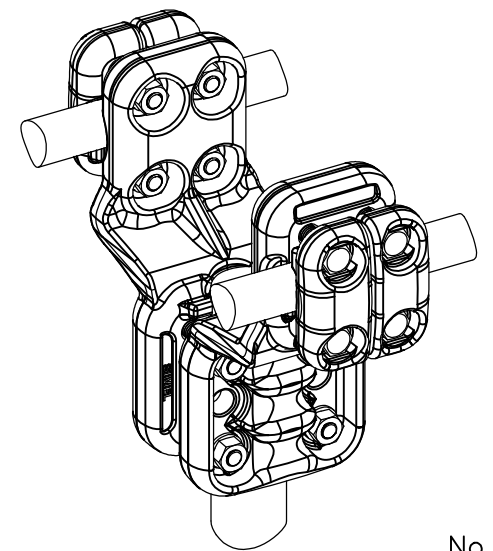
P	LTR	DESCRIPTION	DATE	DWN	APVD
	A	CREATION	07-FEB-19	GL	-

M10 Bolts stainless steel A2: 37Nm
 Boulons M10 acier inoxydable A2: 37Nm

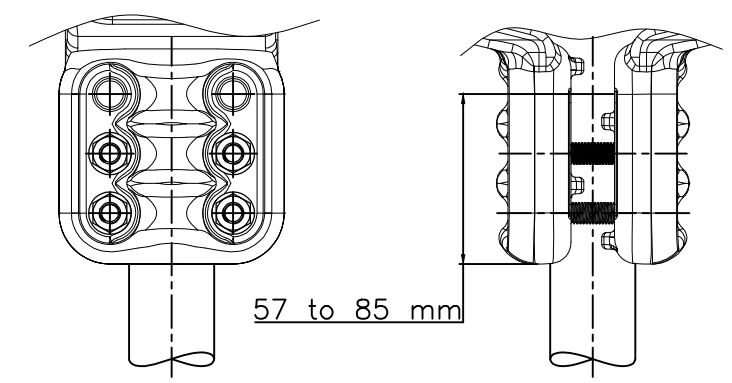


M10 Bolts stainless steel A2: 37Nm
 Boulons M10 acier inoxydable A2: 37Nm

SEE NOTE 1
 VOIR NOTE 1



No scale
 Sans échelle



NOTE 1: Bolts Assembly for Stud length 57 to 85mm
 Assemblage Boulons sur Borne longueur 57 à 85mm

ITEM:.....

THIS DRAWING IS A CONTROLLED DOCUMENT.		DWN	LAFORGE		07-FEB-19
DIMENSIONS: mm		CHK	-		
TOLERANCES UNLESS OTHERWISE SPECIFIED:		APVD	-		
0 PLC ± -		PRODUCT SPEC	108-69096-001		
1 PLC ± -		APPLICATION SPEC	-		
2 PLC ± -		APPROX.WEIGHT	3.5 kg		SIZE
3 PLC ± -		FINISH	-		CAGE CODE
4 PLC ± -					A3 00779
ANGLES ± -		DRAWING NO		G=2351301	
MATERIAL		CUSTOMER DRAWING		RESTRICTED TO	-
-		SCALE		1:2	SHEET
		1 OF 1		REV	A



NAME TEE CONNECTOR FOR TWIN TO STUD
 RACCORD EN TE FAISCEAU DOUBLE SUR BORNE
 5 CT 82 F S245 E200 M405