

4

3

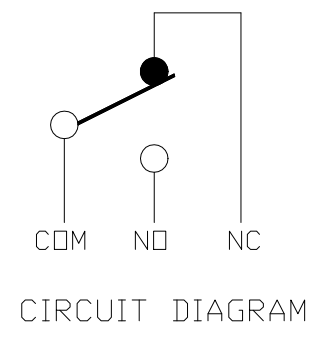
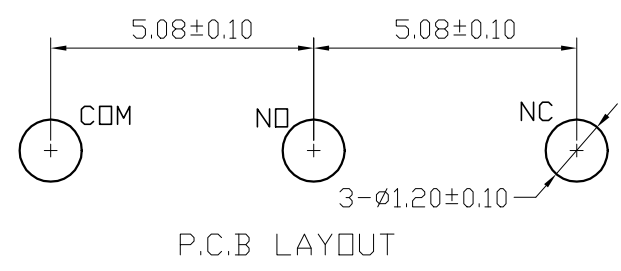
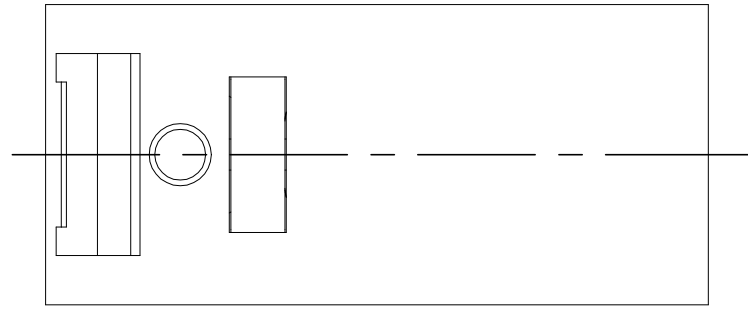
2

1

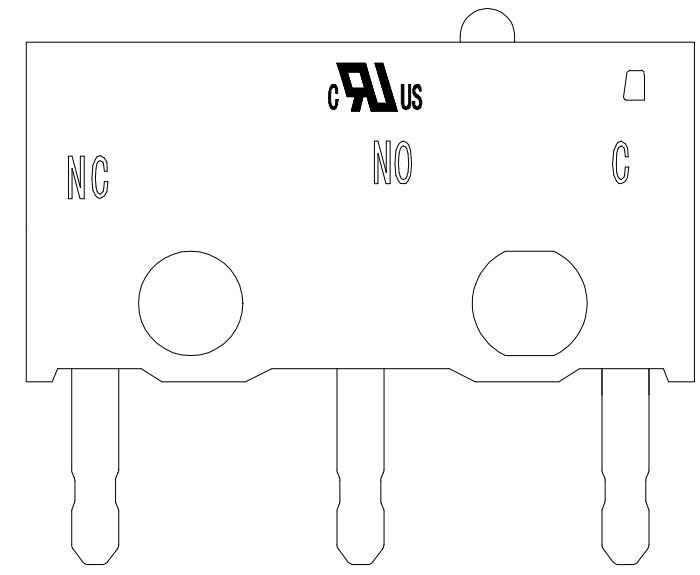
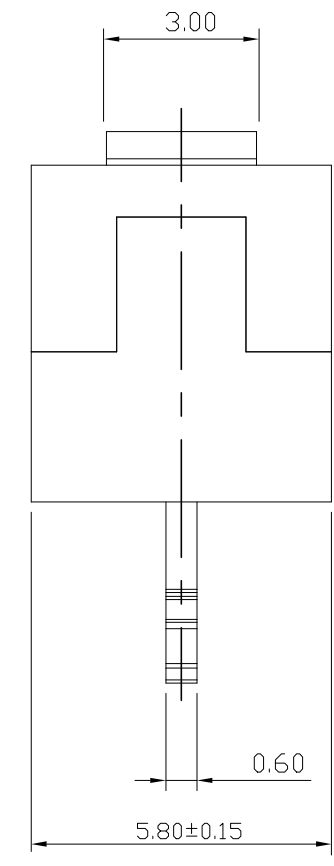
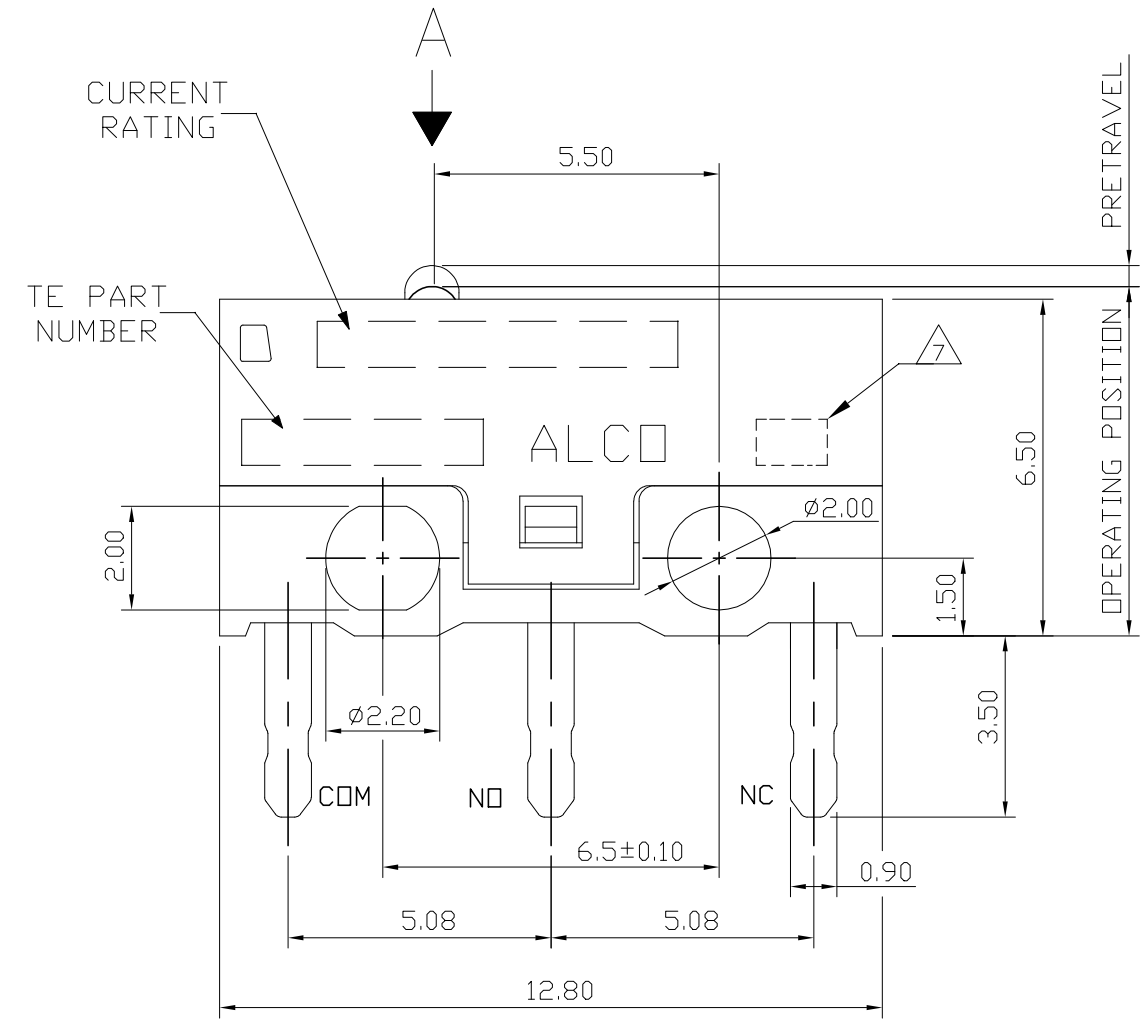
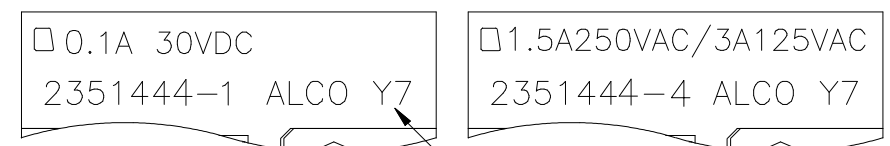
THIS DRAWING IS UNPUBLISHED. RELEASED FOR PUBLICATION  
 © COPYRIGHT - TE Connectivity Ltd. ALL RIGHTS RESERVED.

REVISIONS				
P	LTR	DESCRIPTION	DATE	APVD
1		NEW DRAWING	09MAY2019	GCM AS

APPLICABLE FOR TE P/N  
 2351444-1  
 2351444-4



PART MARKING



**PRELIMINARY**

THIS DRAWING IS A CONTROLLED DOCUMENT.		DWN 09MAY2019 GANESH CM	TE Connectivity	
DIMENSIONS: mm		CHK 09MAY2019 ALEXANDER SHARPE		
TOLERANCES UNLESS OTHERWISE SPECIFIED:		APVD 09MAY2019 ALEXANDER SHARPE	NAME SWITCH, ULTRA SUBMINIATURE SNAP ACTION, PIN PLUNGER, PCB TERMINAL	
0 PLC ± - 1 PLC ± - 2 PLC ± 0.4 3 PLC ± - 4 PLC ± - ANGLES ± -		PRODUCT SPEC -	SIZE CAGE CODE DRAWING NO RESTRICTED TO A3 00779 C-2351444 -	
MATERIAL FINISH		WEIGHT -	CUSTOMER DRAWING SCALE NTS SHEET 1 of 4 REV 1	

4

3

2

1

THIS DRAWING IS UNPUBLISHED.

RELEASED FOR PUBLICATION

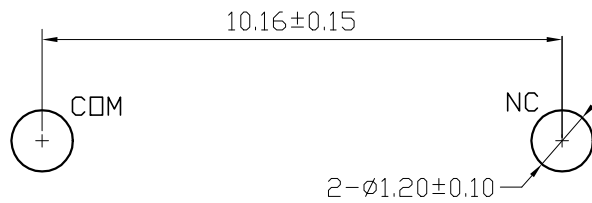
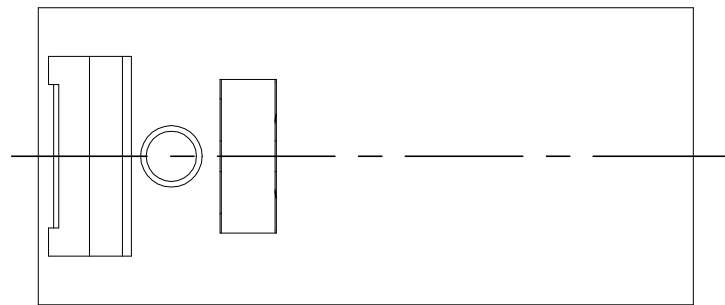
© COPYRIGHT - TE Connectivity Ltd.

ALL RIGHTS RESERVED.

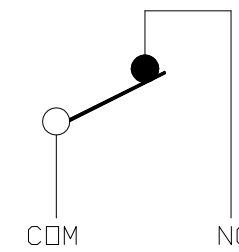
REVISIONS

P	LTR	DESCRIPTION	DATE	DWN	APVD
-	-	SEE SHEET 1	-	-	-

APPLICABLE FOR TE P/N
2351444-2
2351444-5

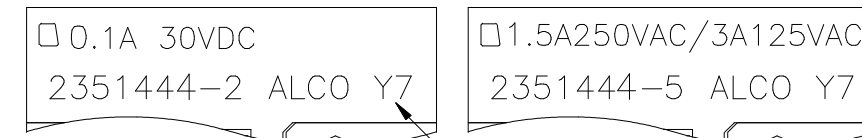


P.C.B LAYOUT



CIRCUIT DIAGRAM

PART MARKING



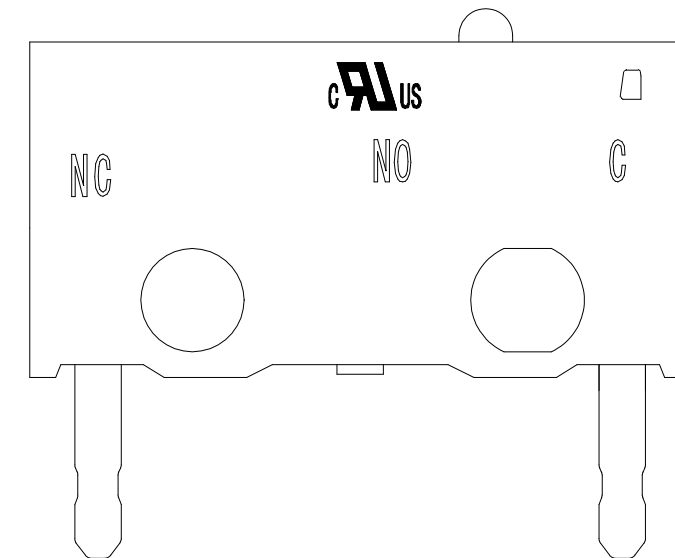
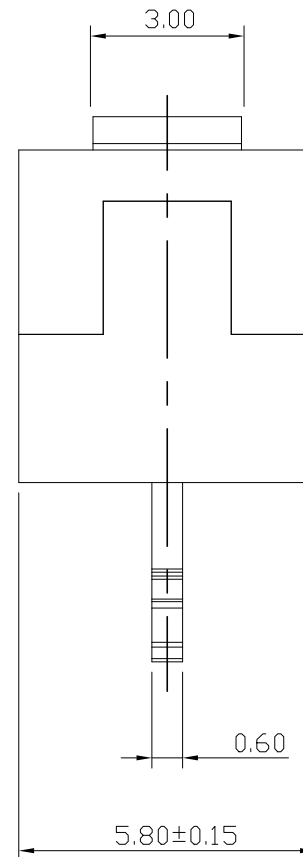
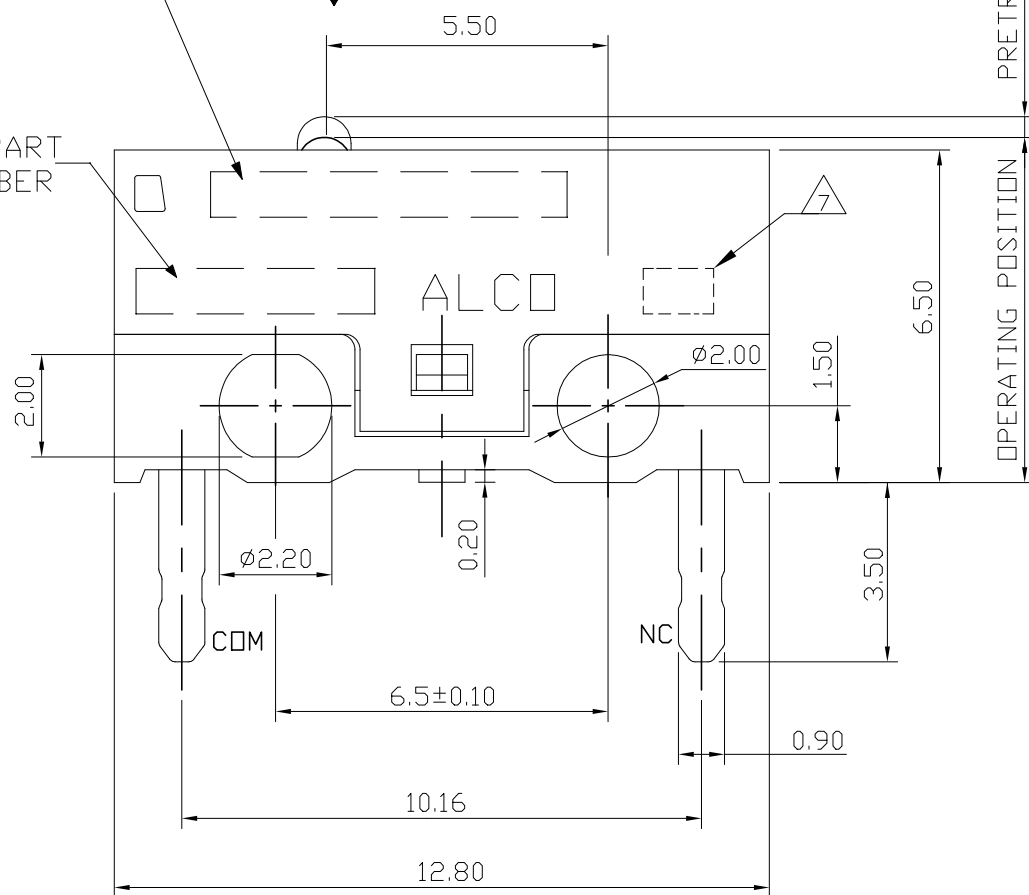
CURRENT RATING

TE PART NUMBER

A

PRETRAVEL

OPERATING POSITION



THIS DRAWING IS A CONTROLLED DOCUMENT.

DWN 09MAY2019 GANESH CM

CHK 09MAY2019 ALEXANDER SHARPE

APVD 09MAY2019 ALEXANDER SHARPE

PRODUCT SPEC

APPLICATION SPEC

WEIGHT

**TE** TE Connectivity

NAME SWITCH, ULTRA SUBMINIATURE SNAP ACTION, PIN PLUNGER, PCB TERMINAL

SIZE	CAGE CODE	DRAWING NO	RESTRICTED TO
A3	00779	C-2351444	-

DIMENSIONS:	TOLERANCES UNLESS OTHERWISE SPECIFIED:
mm	0 PLC ± -
	1 PLC ± -
	2 PLC ± 0.4
	3 PLC ± -
	4 PLC ± -
	ANGLES ± -
MATERIAL	FINISH
-	-

CUSTOMER DRAWING SCALE NTS SHEET 2 of 4 REV 1

**PRELIMINARY**

4

3

2

1

THIS DRAWING IS UNPUBLISHED.

RELEASED FOR PUBLICATION

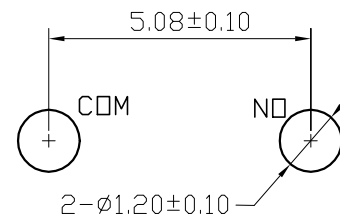
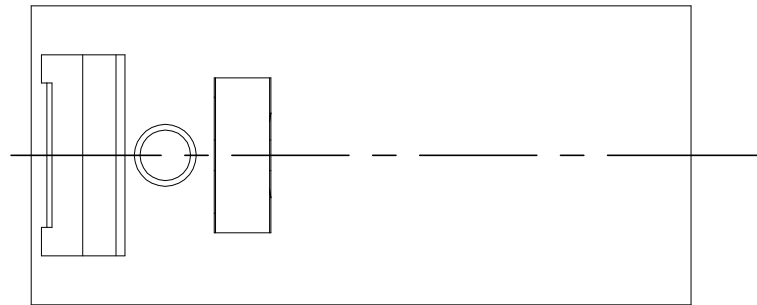
REVISIONS

© COPYRIGHT - TE Connectivity Ltd.

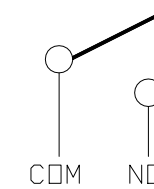
ALL RIGHTS RESERVED.

P	LTR	DESCRIPTION	DATE	DWN	APVD
-	-	SEE SHEET 1	-	-	-

APPLICABLE FOR TE P/N:
2351444-3
2351444-6



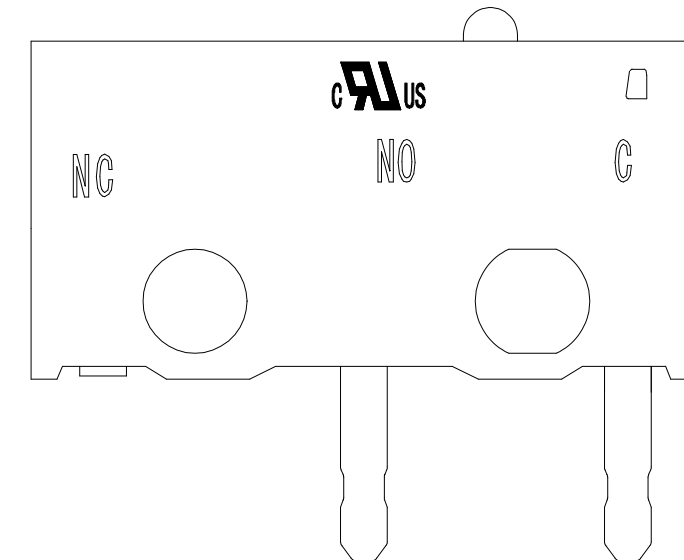
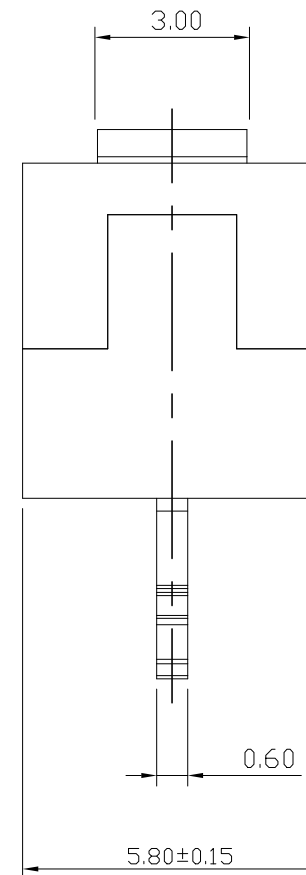
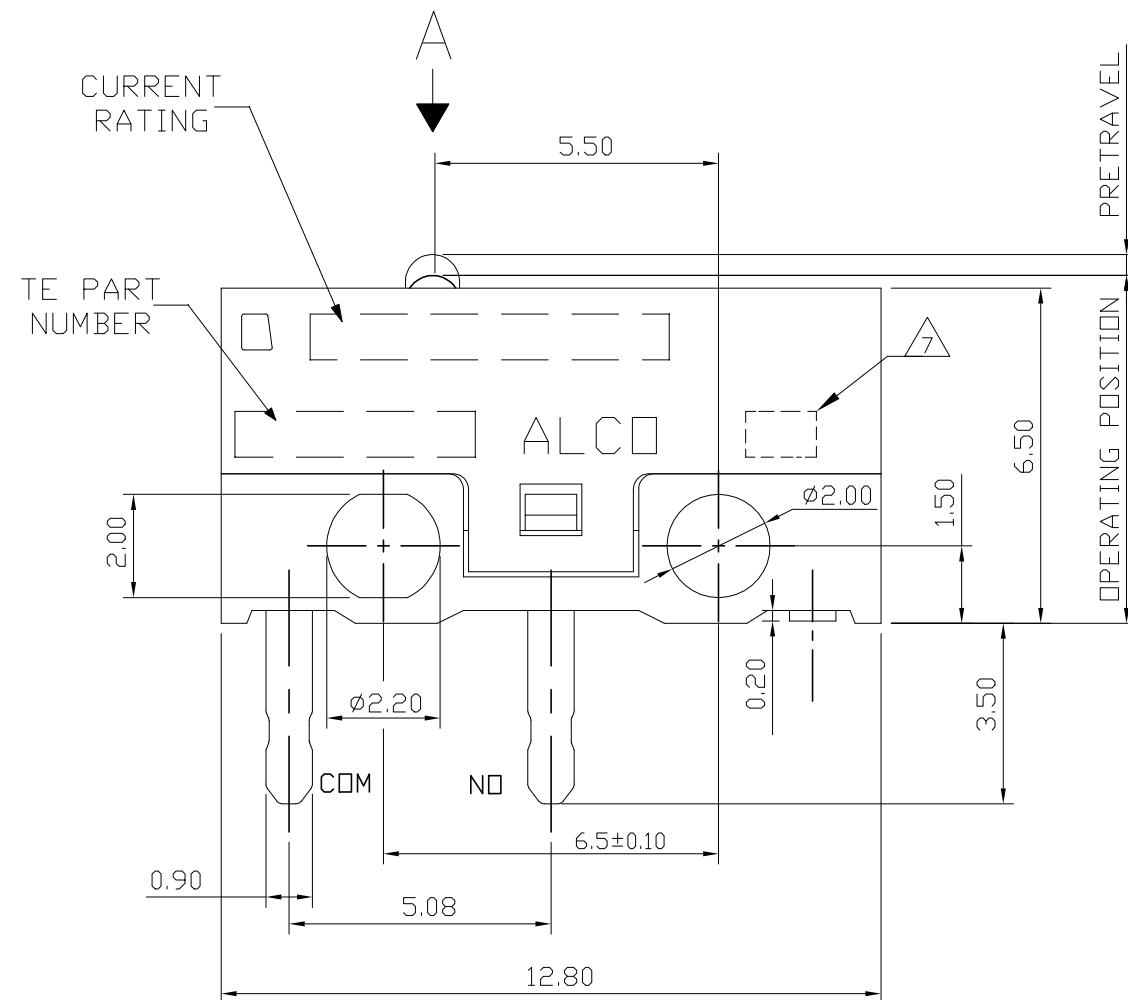
P.C.B. LAYOUT




CIRCUIT DIAGRAM

PART MARKING

□ 0.1A 30VDC 2351444-3 ALCO Y7	□ 1.5A250VAC/3A125VAC 2351444-6 ALCO Y7
-----------------------------------	--



THIS DRAWING IS A CONTROLLED DOCUMENT.		DWN 09MAY2019 GANESH CM	 <b>TE Connectivity</b>	
DIMENSIONS: mm		CHK 09MAY2019 ALEXANDER SHARPE		
TOLERANCES UNLESS OTHERWISE SPECIFIED:		APVD 09MAY2019 ALEXANDER SHARPE	NAME SWITCH, ULTRA SUBMINIATURE SNAP ACTION, PIN PLUNGER, PCB TERMINAL	
<ul style="list-style-type: none"> <li>0 PLC ± -</li> <li>1 PLC ± -</li> <li>2 PLC ± 0.4</li> <li>3 PLC ± -</li> <li>4 PLC ± -</li> <li>ANGLES ± -</li> </ul>		PRODUCT SPEC -	SIZE A3	
MATERIAL -		FINISH -	APPLICATION SPEC -	CAGE CODE 00779
		WEIGHT -	DRAWING NO C-2351444	RESTRICTED TO -
CUSTOMER DRAWING			SCALE NTS	SHEET 3 of 4
			REV 1	

**PRELIMINARY**

THIS DRAWING IS UNPUBLISHED. RELEASED FOR PUBLICATION  
 © COPYRIGHT - TE Connectivity Ltd. ALL RIGHTS RESERVED.

REVISIONS				
P	LTR	DESCRIPTION	DATE	APVD
-	-	SEE SHEET 1	-	-

NOTES:

- OPERATING CHARACTERISTICS ARE FOR OPERATION IN THE A DIRECTION ▼
- PACKAGING:  
SWITCHES ARE BULK PACKAGED IN BAGS, 500 SWITCHES PER BAG, 2 BAGS PER BOX.
- COMPLIANCE:  
THE CURRENT STATEMENT OF COMPLIANCE IS AVAILABLE AT TE.COM.
- MATERIAL AND FINISH:  
BUTTON: THERMOPLASTIC, WHITE  
COVER: THERMOPLASTIC, BLACK  
BASE: THERMOPLASTIC, BLACK  
SPRING PLATE: COPPER ALLOY  
CONTACT: SILVER ALLOY, SILVER PLATED  
TERMINAL: BRASS, SILVER PLATED
- SPECIFICATIONS:  
CURRENT RATING: SEE TABLE  
CONTACT RESISTANCE: 100mΩ MAXIMUM INITIAL, AT FREE POSITION AND TOTAL TRAVEL POSITION.  
INSULATION RESISTANCE: 100MΩ MINIMUM @ 500 V DC FOR 1 MINUTE, INITIAL.  
DIELECTRIC WITHSTANDING VOLTAGE, BETWEEN TERMINALS OF THE SAME POLARITY: 600 V AC, 50 TO 60 Hz FOR 1 MINUTE  
DIELECTRIC WITHSTANDING VOLTAGE, BETWEEN EACH TERMINAL AND GROUND: 1500 V AC, 50 TO 60 Hz FOR 1 MINUTE  
DIELECTRIC WITHSTANDING VOLTAGE, BETWEEN EACH TERMINAL AND NON-CURRENT CARRYING METAL PART: 1500 V AC, 50 TO 60 Hz FOR 1 MINUTE
- SOLDER PROCESS:  
MANUAL SOLDERING: 350°C, 3 SECONDS MAXIMUM, 30 TO 40 WATTS. PREVENT SOLDER AND FLUX CONTACTING THE SWITCH BODY.  
DO NOT OPERATE THE SWITCH DURING THE FIRST MINUTE AFTER SOLDERING.  
WAVE SOLDERING: 260°C, 5 SECONDS MAXIMUM. PREVENT SOLDER AND FLUX CONTACTING THE SWITCH BODY.  
DO NOT OPERATE THE SWITCH DURING THE FIRST MINUTE AFTER SOLDERING.

△ DATE CODE : ① ②

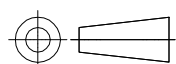
①	MONTH	1 TO 9, X, Y, Z (X=10, Y=11, Z=12)
②	YEAR	0 TO 9 (EX: 7=2017)

8. CERTIFICATION: **ULUS**

SILVER	SPST, NORMALLY OPEN	500,000 CYCLES, MINIMUM	6,000 CYCLES, MINIMUM	-40 TO +85°C/85% RELATIVE HUMIDITY MAXIMUM	-25 TO +75°C/60% RELATIVE HUMIDITY MAXIMUM	0.20 MAXIMUM	0.20 MINIMUM	6.9±0.3	0.50 MAXIMUM	0.05N MINIMUM	0.88N MAXIMUM	3 A, 125 VAC, 1.5 A, 250 VAC	MOMENTARY	SAJ13XXPP0N88SNOPTQ	2351444-6		
	SPST, NORMALLY CLOSED									SAJ13XXPP0N88SNCPTQ	2351444-5						
	SPDT									SAJ13XXPP0N88SDTPTQ	2351444-4						
	SPST, NORMALLY OPEN	1,000,000 CYCLES, MINIMUM	30,000 CYCLES, MINIMUM							0.02N MINIMUM	0.75N MAXIMUM	0.1 A, 30 VDC		SAJ101XPP0N74SNOPTQ	2351444-3		
	SPST, NORMALLY CLOSED													SAJ101XPP0N74SNCPTQ	2351444-2		
	SPDT													SAJ101XPP0N74SDTPTQ	2351444-1		
CONTACT FINISH	CONTACT FORM	MECHANICAL LIFE	ELECTRICAL LIFE	STORAGE TEMPERATURE RANGE/HUMIDITY RANGE	OPERATING TEMPERATURE RANGE/HUMIDITY RANGE	MOVEMENT DIFFERENTIAL	OVERTRAVEL	OPERATING POSITION	PRETRAVEL			RELEASE FORCE	OPERATING FORCE	RATING RESISTIVE LOAD	CONTACT CONFIGURATION	TE SMART PART NUMBER	PART NUMBER

THIS DRAWING IS A CONTROLLED DOCUMENT.

DIMENSIONS: mm



TOLERANCES UNLESS OTHERWISE SPECIFIED:	
0 PLC	± -
1 PLC	± -
2 PLC	± 0.4
3 PLC	± -
4 PLC	± -
ANGLES	± -

DWN	09MAY2019
CHK	GANESH CM
APVD	09MAY2019
PRODUCT SPEC	ALEXANDER SHARPE
APPLICATION SPEC	ALEXANDER SHARPE
WEIGHT	-



NAME: SWITCH, ULTRA SUBMINIATURE SNAP ACTION, PIN PLUNGER, PCB TERMINAL

SIZE	CAGE CODE	DRAWING NO	RESTRICTED TO
A3	00779	2351444	-

**PRELIMINARY**

CUSTOMER DRAWING	SCALE	SHEET	REV
NTS	4 OF 4	1	