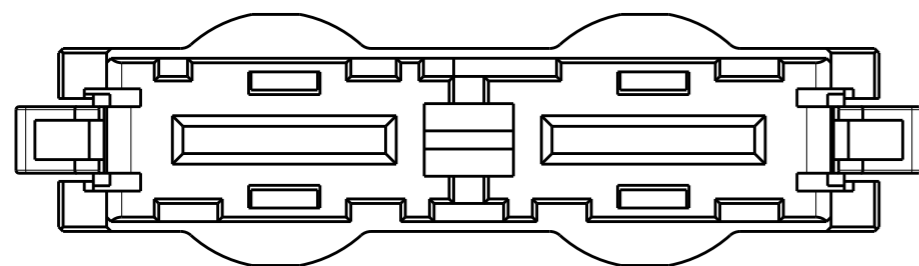
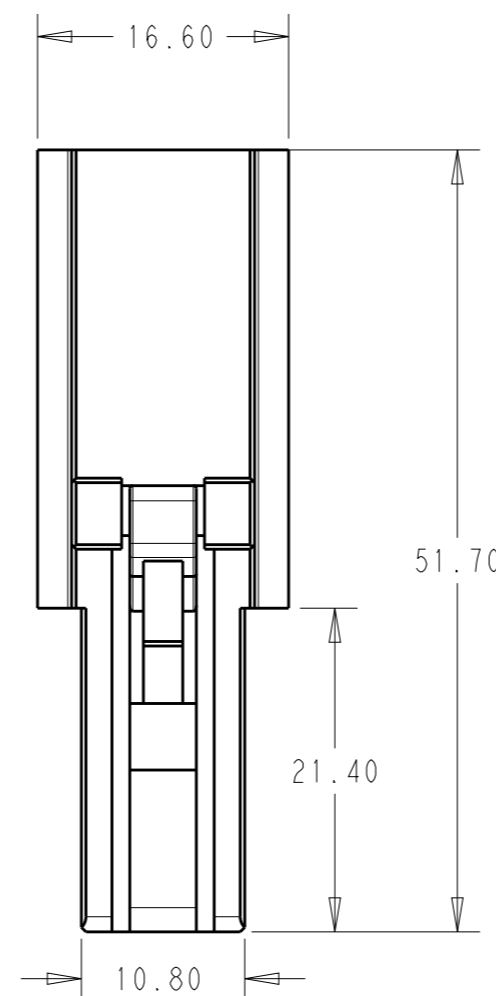
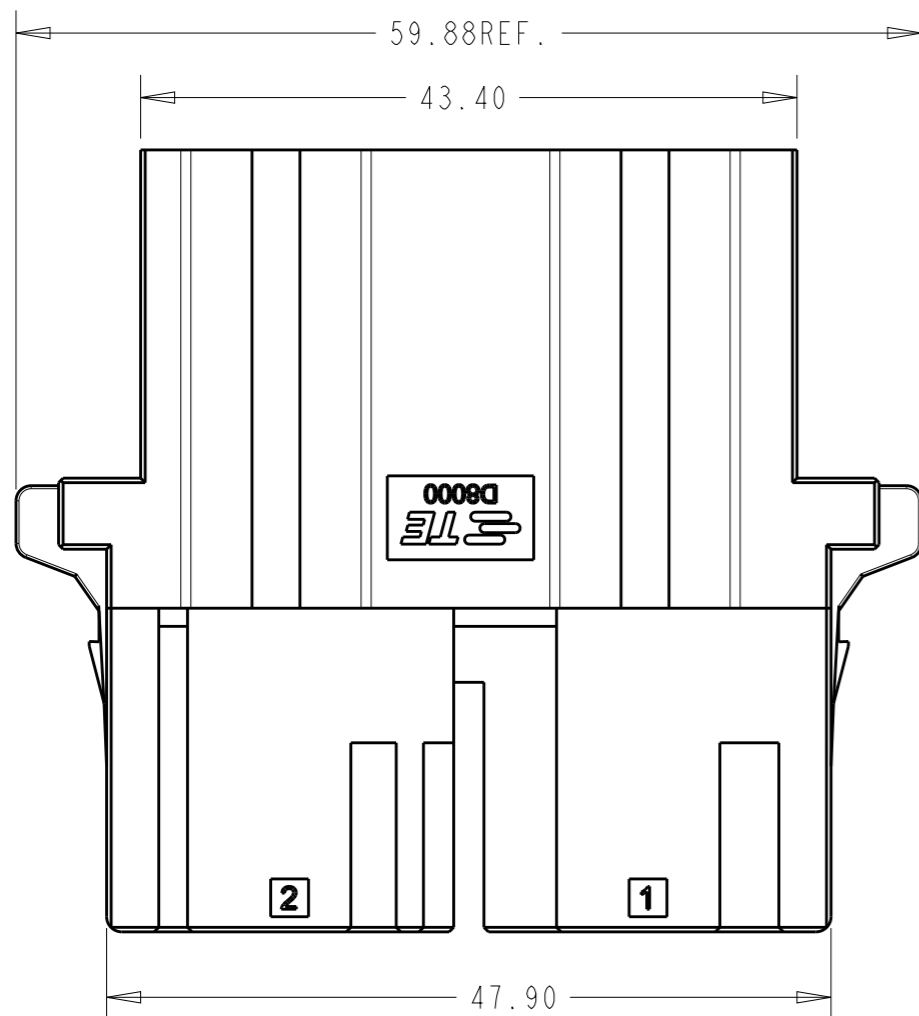
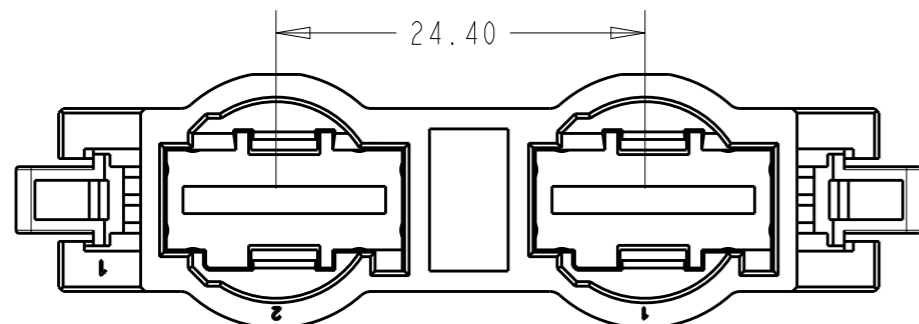



P	LTR	DESCRIPTION	DATE	DWN	APVD
	A	INITIAL	21JUN2020	A.W	R.B

AS SHOWN: 1-2351981-2



NOTE  
1. MATERIAL: HOUSING: GLASS FILED THERMO PLASTIC, POLYESTER(94V-0), COLOR: BLACK

THIS DRAWING IS A CONTROLLED DOCUMENT.		DWN ALVIN.W 24MAR2020	 TE Connectivity		
DIMENSIONS: mm		CHK RICK.B 24MAR2020			
TOLERANCES UNLESS OTHERWISE SPECIFIED:		APVD RICK.B 24MAR2020	NAME REC HOUSING DYNAMIC 8000		
0 PLC ± 1 PLC ±0.5 2 PLC ±0.4 3 PLC ± 4 PLC ± ANGLES ±		PRODUCT SPEC 108-140254	SIZE A3		
MATERIAL SEE NOTE		APPLICATION SPEC 114-78058	CAGE CODE 00779	DRAWING NO C-2351981	RESTRICTED TO -
FINISH -		WEIGHT 19.3g	SCALE 1:1		
		CUSTOMER DRAWING	SHEET 1 OF 1		REV A