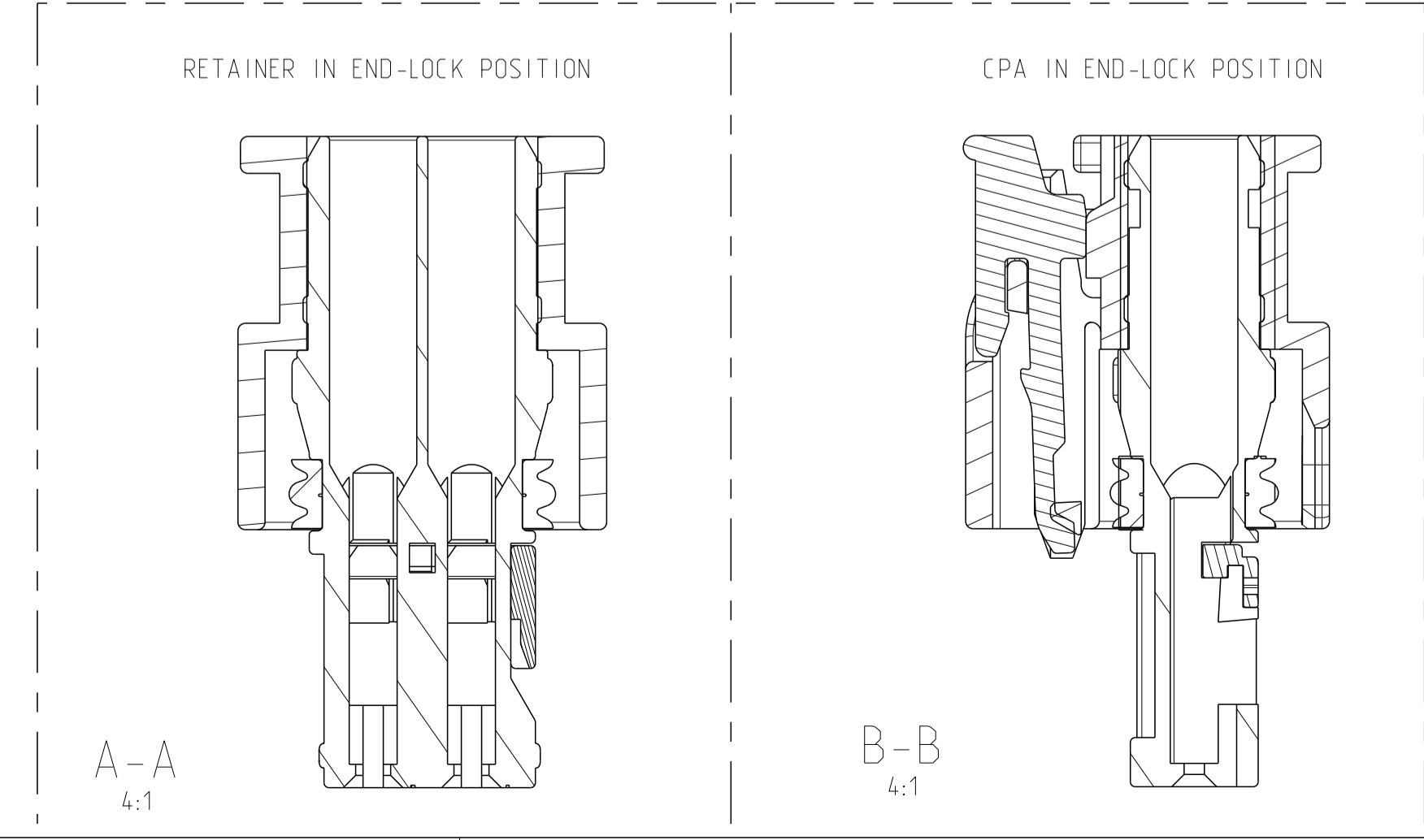
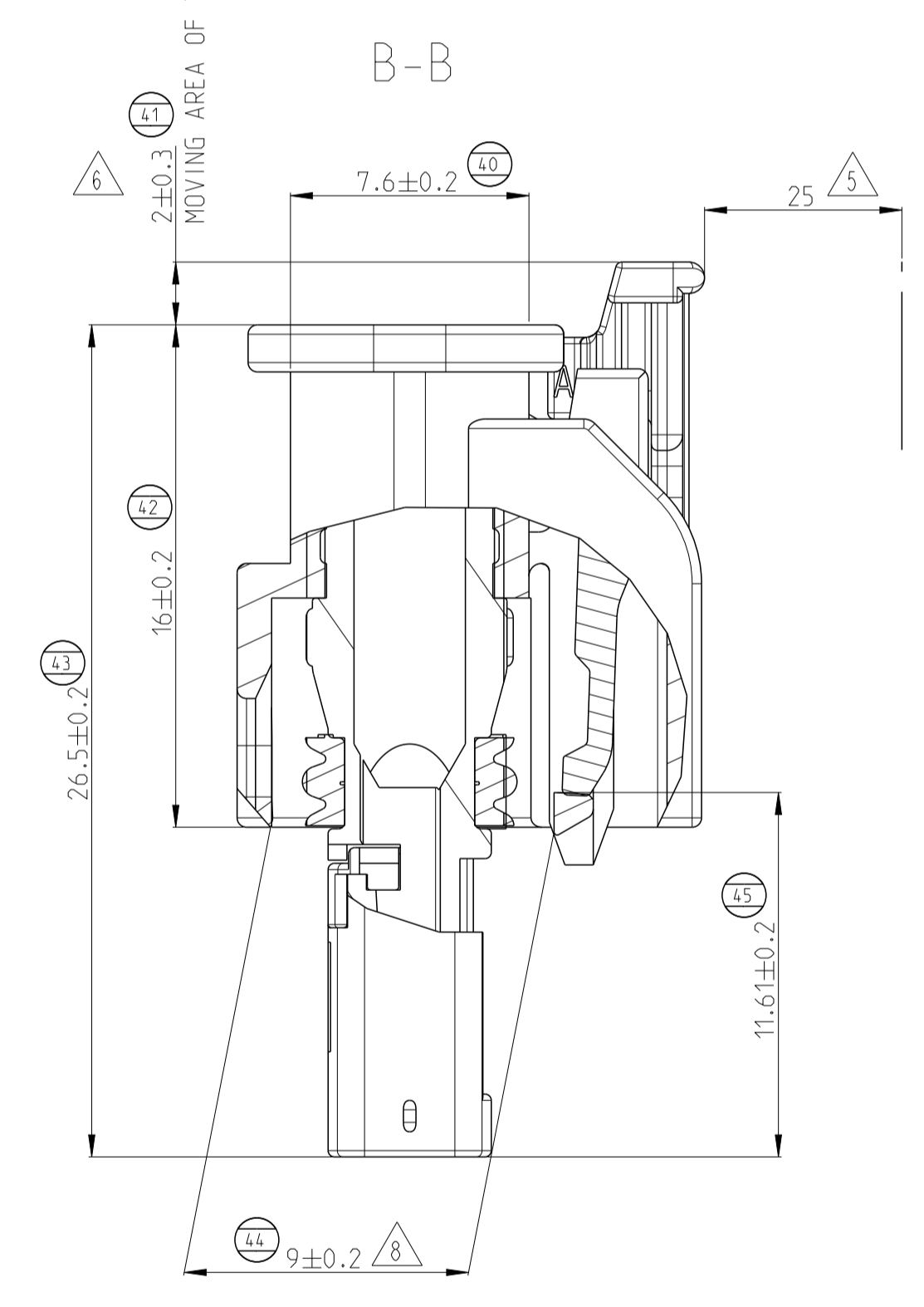
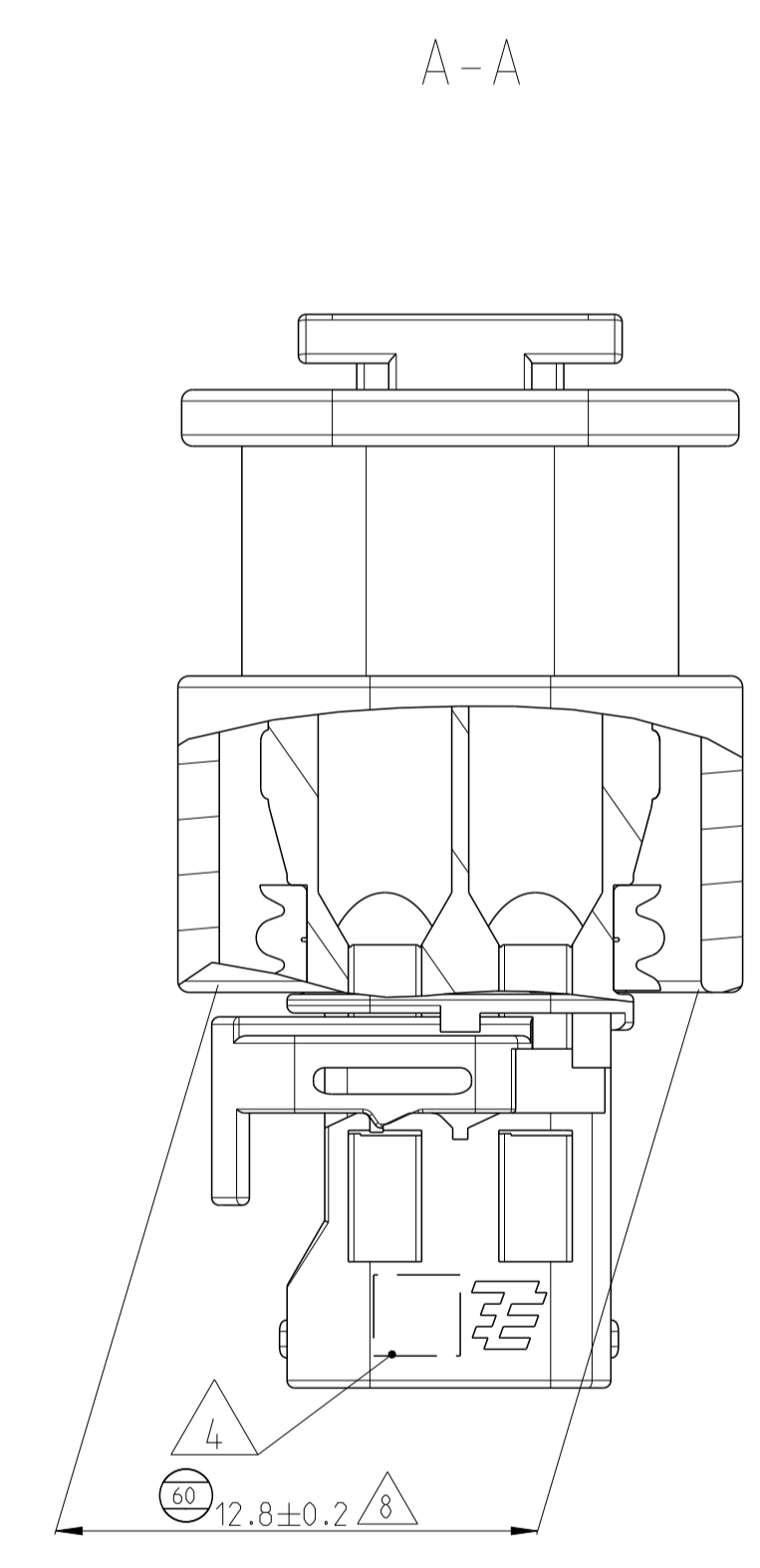
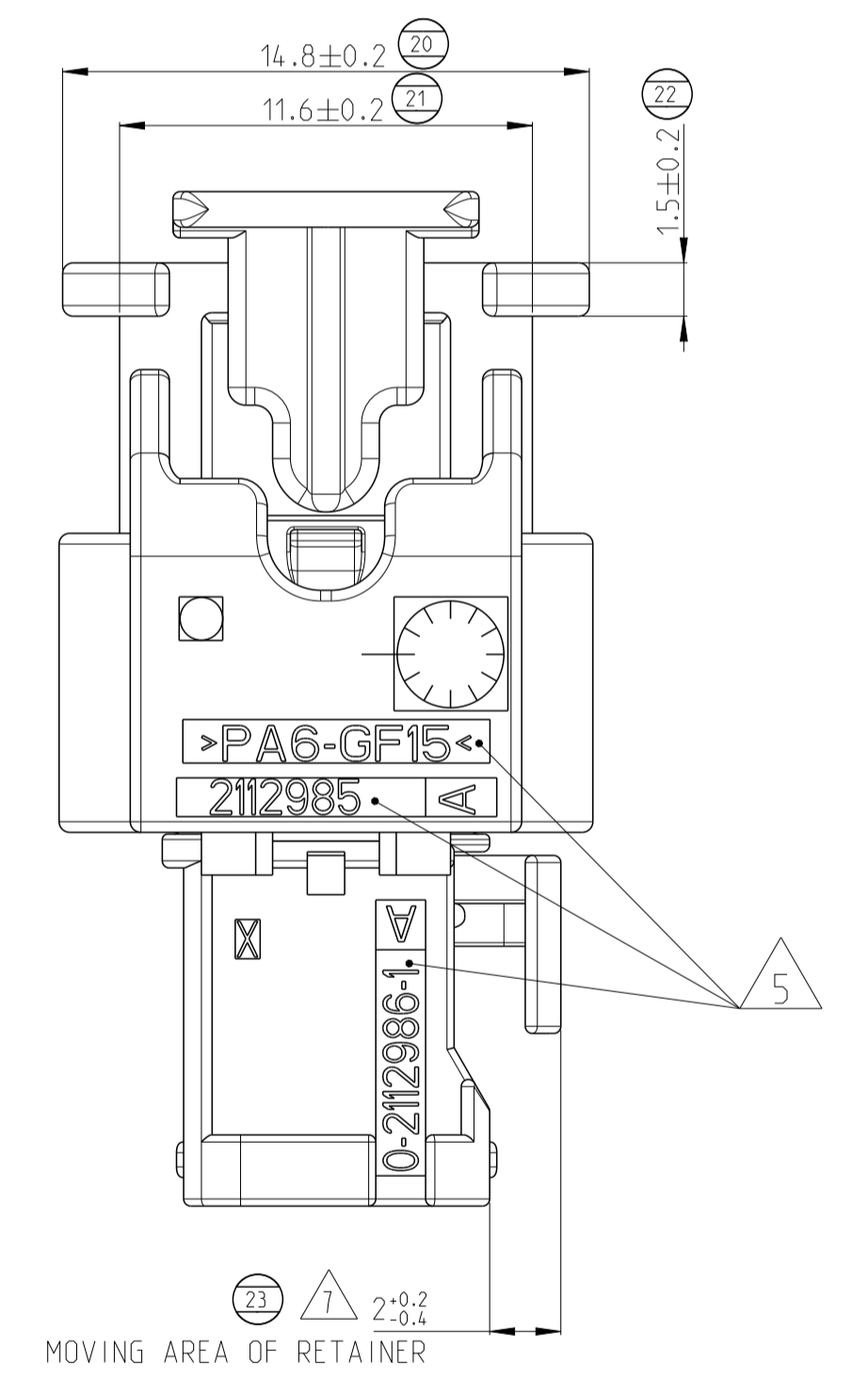
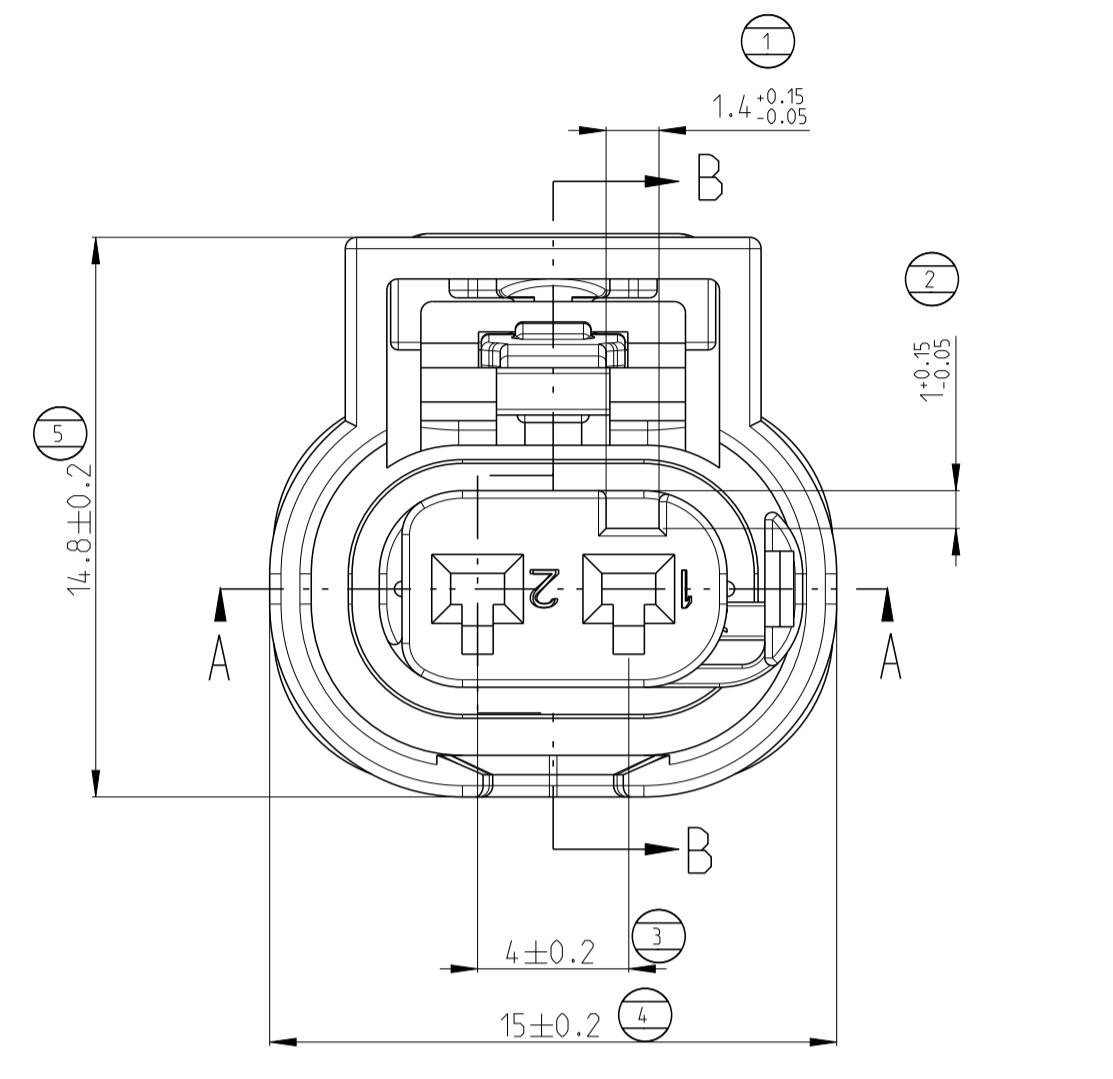


- NOTES:
- AREA FOR PRINT
  - USABLE CONTACTS MCON 1.2 LL  
SEE TE-NO. 1452674. SINGLE WIRE SYSTEM
  - MAX. WIRE SIZE RANGE 1.0 mm<sup>2</sup> FLR PERMITTED  
FOR CAVITY-Ø 3.55mm  
QUANTITY SEE WIRE HARNESS DRAWING  
FOR PERMISSIBLE CURRENT CARRYING CAPACITY OF THE SINGLE CONTACT  
SEE PRODUCT SPECIFICATION NO. 108-18782
  - SUPPLIER-MARK
  - SPACE OF ACTIVITY. PN/REV AND MATERIAL OF OUTER COVER AND INNER HOUSING. CHANGABLE.
  - SUPPLY CONDITION: CPA IN PRELOCKED POSITION
  - SUPPLY CONDITION: RETAINER IN PRELOCKED POSITION
  - INTERFACE WARPAGE PERMITTED TO MAX. +/-0.5mm
  - TE ORDER-NO.
  - ACCORDING TO INTERFACE DRAWING  
SEE TE-NO. 114-18679-3
  - ASSEMBLY LINE SEGMENT IDENTIFICATION. OPTIONAL.
  - DATE CODE (DDYY). OPTIONAL
  - PN -1/-8 INNER HOUSING WITH PA66-GF30. PN -5/-9 INNER HOUSING WITH PBT-GF30.
  - 2355506-• is SZHOU VERSION OF •-1823608-•/•-1718643-•/•-1670916-•  
BOTH HAVE THE SIMILAR PERFORMANCE.

CODING 1-1 AS SHOWN

REVISIONS				
P	LTN	DESCRIPTION	DATE	APVD
A6		CORRECTION OF PN 4-1	15MAR22	Z.J. J.Z
A7		ADD NEW PN -7	30NOV22	Z.J. J.Z
A8		ECN-23-193761	11JAN23	Q.L. J.Z
A9		ECN-24-266207	14MAY24	Q.L. J.Z



TE ORDER-NO.	COD	TITLE	REV	QTY	TITLE	MATERIAL	SURFACE / COLOUR	ITEM
2-2355506-7	B	CONNECTOR 2POS.	A	1	CPA	PA46-GF15	RED	5
				1	SEAL	MVQ	NATURE	4
				1	RETAINER	PA66-GF15	VIOLET	3
				1	OUTER HOUSING	PA6-GF15	YELLOW	2
				1	INNER HOUSING	PA66-GF30	BROWN	1
1-2355506-7	A	CONNECTOR 2POS.	A	1	CPA	PA46-GF15	RED	5
				1	SEAL	MVQ	NATURE	4
				1	RETAINER	PA66-GF15	VIOLET	3
				1	OUTER HOUSING	PA6-GF15	YELLOW	2
				1	INNER HOUSING	PA66-GF30	BLACK	1
4-2355506-1 4-2355506-5	D	CONNECTOR 2POS.	A	1	CPA	PA46-GF15	GREY	5
				1	SEAL	MVQ	NATURE	4
				1	RETAINER	PA66-GF15	VIOLET	3
				1	OUTER HOUSING	PA6-GF15	BLACK	2
				1	INNER HOUSING	PA66-GF30/PBT-GF30	VIOLET	1
3-2355506-8 3-2355506-9	C	CONNECTOR 2POS. W/O CPA	A	1	SEAL	MVQ	NATURE	4
				1	RETAINER	PA66-GF15	VIOLET	3
				1	OUTER HOUSING	PA6-GF15	BLACK	2
				1	INNER HOUSING	PA66-GF30/PBT-GF30	BLUE	1
2-2355506-8 2-2355506-9	B	CONNECTOR 2POS. W/O CPA	A	1	SEAL	MVQ	NATURE	4
				1	RETAINER	PA66-GF15	VIOLET	3
				1	OUTER HOUSING	PA6-GF15	BLACK	2
				1	INNER HOUSING	PA66-GF30/PBT-GF30	NATURE	1
1-2355506-8 1-2355506-9	A	CONNECTOR 2POS. W/O CPA	A	1	SEAL	MVQ	NATURE	4
				1	RETAINER	PA66-GF15	VIOLET	3
				1	OUTER HOUSING	PA6-GF15	BLACK	2
				1	INNER HOUSING	PA66-GF30/PBT-GF30	BLACK	1
3-2355506-1 3-2355506-5	C	CONNECTOR 2POS.	A	1	CPA	PA46-GF15	GREY	5
				1	SEAL	MVQ	NATURE	4
				1	RETAINER	PA66-GF15	VIOLET	3
				1	OUTER HOUSING	PA6-GF15	BLACK	2
				1	INNER HOUSING	PA66-GF30/PBT-GF30	BLUE	1
2-2355506-1 2-2355506-5	B	CONNECTOR 2POS.	A	1	CPA	PA46-GF15	GREY	5
				1	SEAL	MVQ	NATURE	4
				1	RETAINER	PA66-GF15	VIOLET	3
				1	OUTER HOUSING	PA6-GF15	BLACK	2
				1	INNER HOUSING	PA66-GF30/PBT-GF30	NATURE	1
1-2355506-1 1-2355506-5	A	CONNECTOR 2POS.	A	1	CPA	PA46-GF15	GREY	5
				1	SEAL	MVQ	NATURE	4
				1	RETAINER	PA66-GF15	VIOLET	3
				1	OUTER HOUSING	PA6-GF15	BLACK	2
				1	INNER HOUSING	PA66-GF30/PBT-GF30	BLACK	1

THIS DRAWING IS A CONTROLLED DOCUMENT.

OWN: J. ZE	23APR2019		NAME: 2POS. MCON 1.2 - LL CONN. SLD
CHK: J. ZONG	23APR2019		PRODUCT SPEC: 108-32646
APVD: J. YIN	23APR2019		APPLICATION SPEC: 114-18861
			SIZE: 2.4g
DIMENSIONS: mm		TOLERANCES UNLESS OTHERWISE SPECIFIED:	SCALE: 5:1
MATERIAL: -		FINISH: -	SHEET 1 OF 1
TE ORDER-NO. COD TITLE REV		QTY TITLE MATERIAL SURFACE / COLOUR ITEM	REV: A9