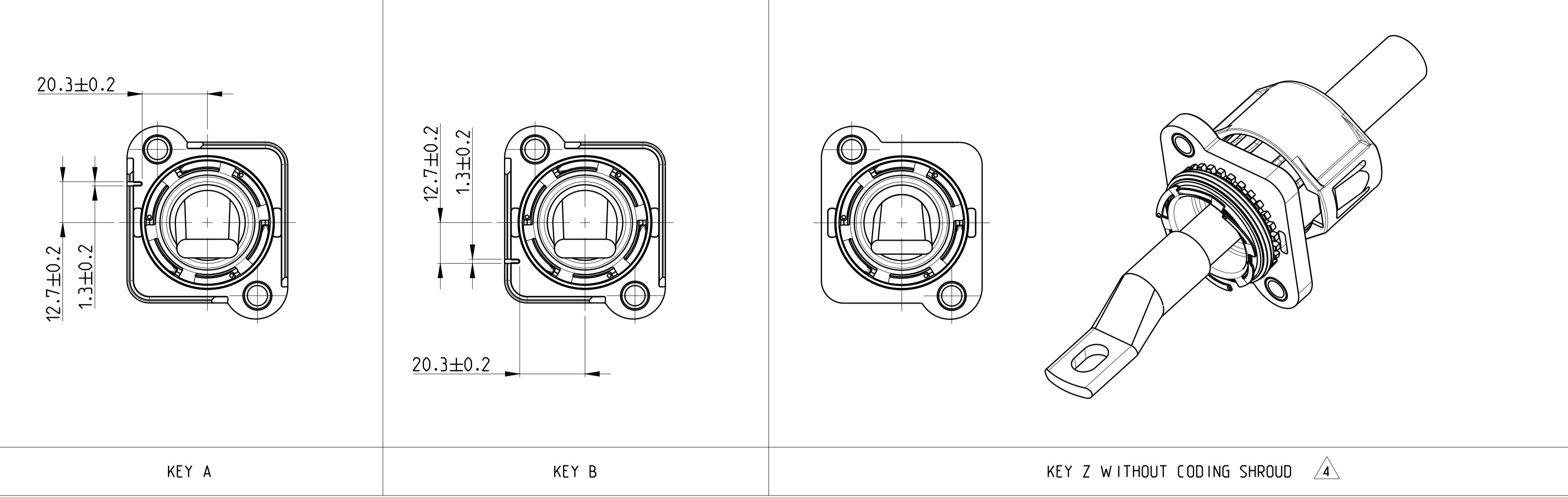
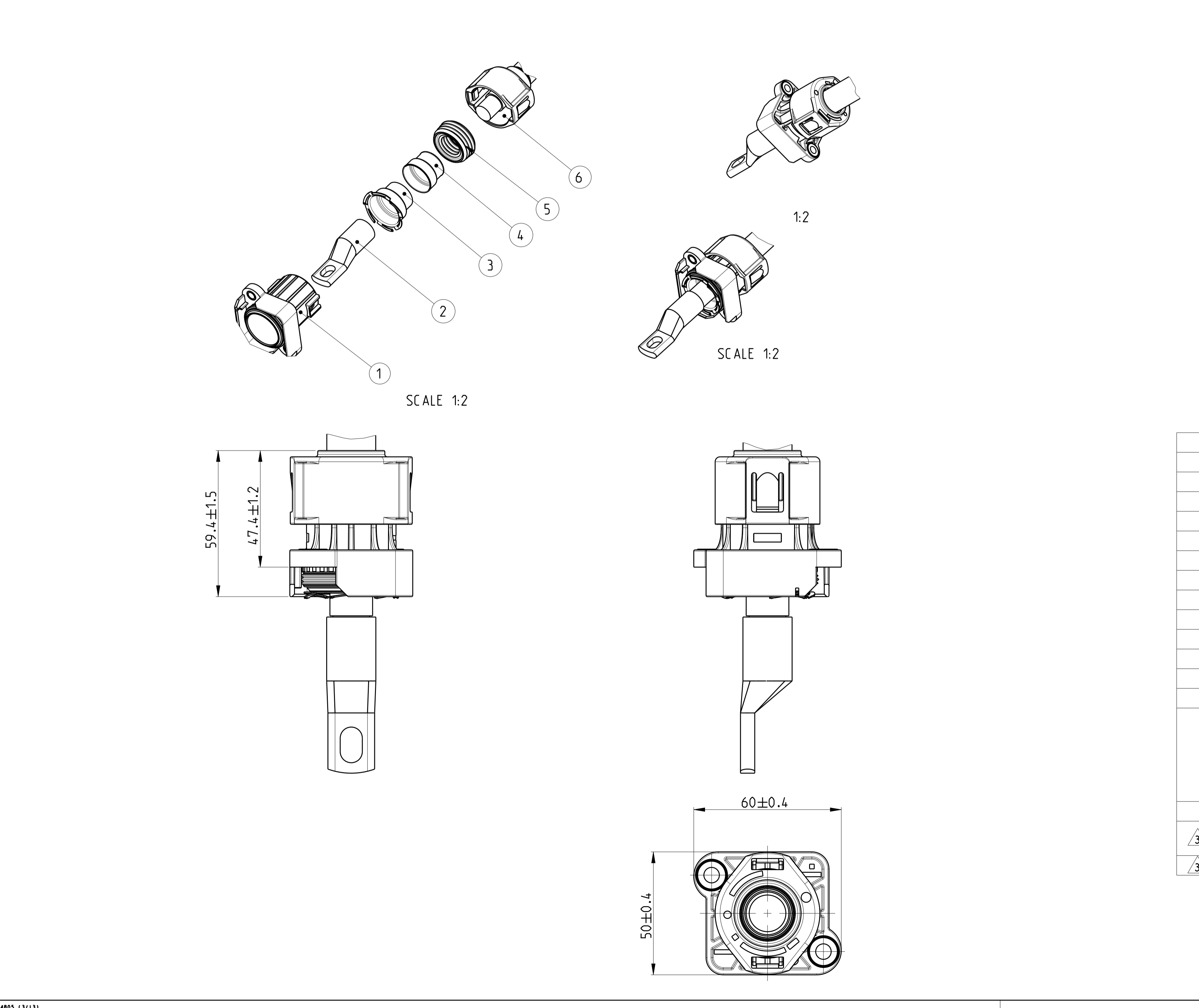


REVISIONS				
P	LTR	DESCRIPTION	DATE	APVD
A		NEW DRAWING	15SEP2020	AS JK



NOTES

- 1 PARTS ARE NOT AVAILABLE BY THESE NUMBERS FULLY ASSEMBLED AS SHOWN. FINAL ASSEMBLY REQUIRES INDIVIDUAL COMPONENTS OR SUB-ASSEMBLIES LISTED IN THE PARTS LIST AND AVAILABLE SEPARATELY FROM TE. CONSULT INDIVIDUAL CUSTOMER DRAWINGS FOR PART RELEASE STATUS.
- 2 CONNECTING GEOMETRY TO THE AGGREGATE SEE 114-18737
- 3 VALIDATED CABLE / SUBCOMPONENT COMBINATION
- 4 IPT HOUSING CAN BE ORDERED WITH AND WITHOUT CODING SHROUD. WITHOUT CODING SHROUD SEE CODING Z



AS SHOWN 2357902-1

QTY	REQ	PER	ASSY	PART NO	DESCRIPTION	ITEM NO
	1	1	1	- - -	0-1670821-3 PROTECTION CAP. 95MM ² (H+S)	6
	-	-	-	1 1 1	0-1670821-2 PROTECTION CAP. 70MM ²	6
	1	1	1	- - -	0-2364891-1 SINGLE WIRE SEAL. PLUG TERM. 95MM ² (H+S)	5
	-	-	-	1 1 1	0-1670820-2 SINGLE WIRE SEAL. PLUG TERM. 70MM ²	5
	-	-	-	1 1 1	0-1670813-2 EMC. CRIMP SLEEVE. IPT 70MM ²	4
	1	1	1	- - -	0-1670813-1 EMC. CRIMP SLEEVE. IPT 95/120MM ²	4
	1	1	1	1 1 1	0-1670814-1 EMC. CRIMP CONTACT. IPT 70 - 120MM ²	3
	1	1	1	- - -	0-1670815-2 RING TONGUE. IPT 95MM ²	2
	-	-	-	1 1 1	0-1670815-1 RING TONGUE. IPT 70MM ²	2
	1	-	-	1 - -	9-1670816-1 1POS. RING TONGUE. HOUSING. ASSY COD Z	1
	-	1	-	- 1 -	2-1670816-1 1POS. RING TONGUE. HOUSING. ASSY COD B	1
	-	-	1	- - 1	1-1670816-1 1POS. RING TONGUE. HOUSING. ASSY COD A	1

QTY REQ PER ASSY			ASSEMBLY INDEX			PARTS LIST
Z	B	A	Z	B	A	
1-2357902-3	1-2357902-2	1-2357902-1	2357902-3	2357902-2	2357902-1	REFERENCE NUMBER THESE NUMBERS ARE FOR REFERENCE PURPOSE ONLY AND ARE NOT FOR SALE

HUBER+SUHNER 84100299		HUBER+SUHNER 84100298		CABLE SUPPLIER/ SPECIFICATION	
95mm ²		70mm ²		CABLE SIZE	
THIS DRAWING IS A CONTROLLED DOCUMENT.					
DIMENSIONS: mm		TOLERANCES UNLESS OTHERWISE SPECIFIED		DWG: H. L. NAVEEN 07 JUN 2019 CHK: A. HERRMANN 08 JUN 2019 APVD: J. KOESTER 08 JUN 2019	
MATERIAL SEE TABLE		FINISH SEE TABLE		NAME: OVERVIEW ASSY 1POS. TERMINAL IPT Uebersicht Assy 1pol. Anschluss IPT SIZE: 108-94026 APPLICATION SPEC: 114-18769 WEIGHT: - CUSTOMER DRAWING	
SCALE: 1:1				SHEET 1 OF 1 REV A	