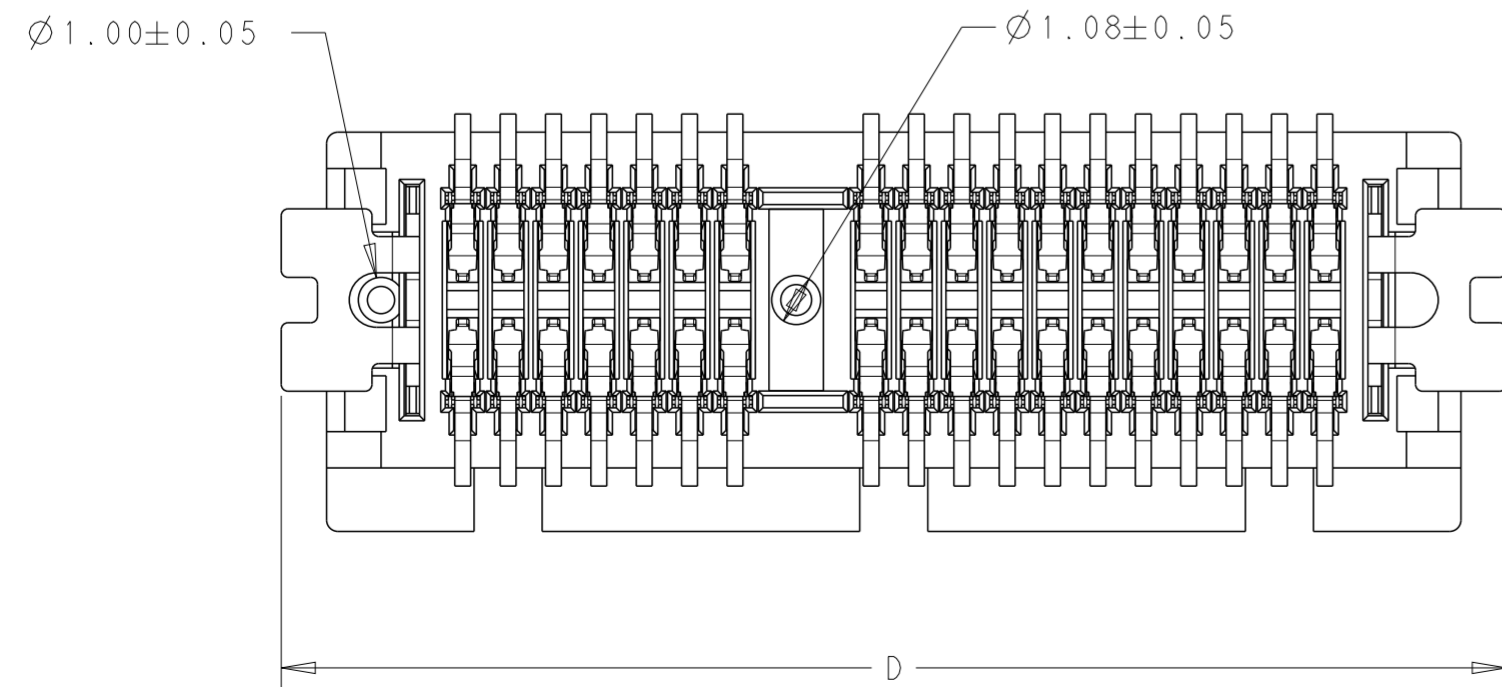
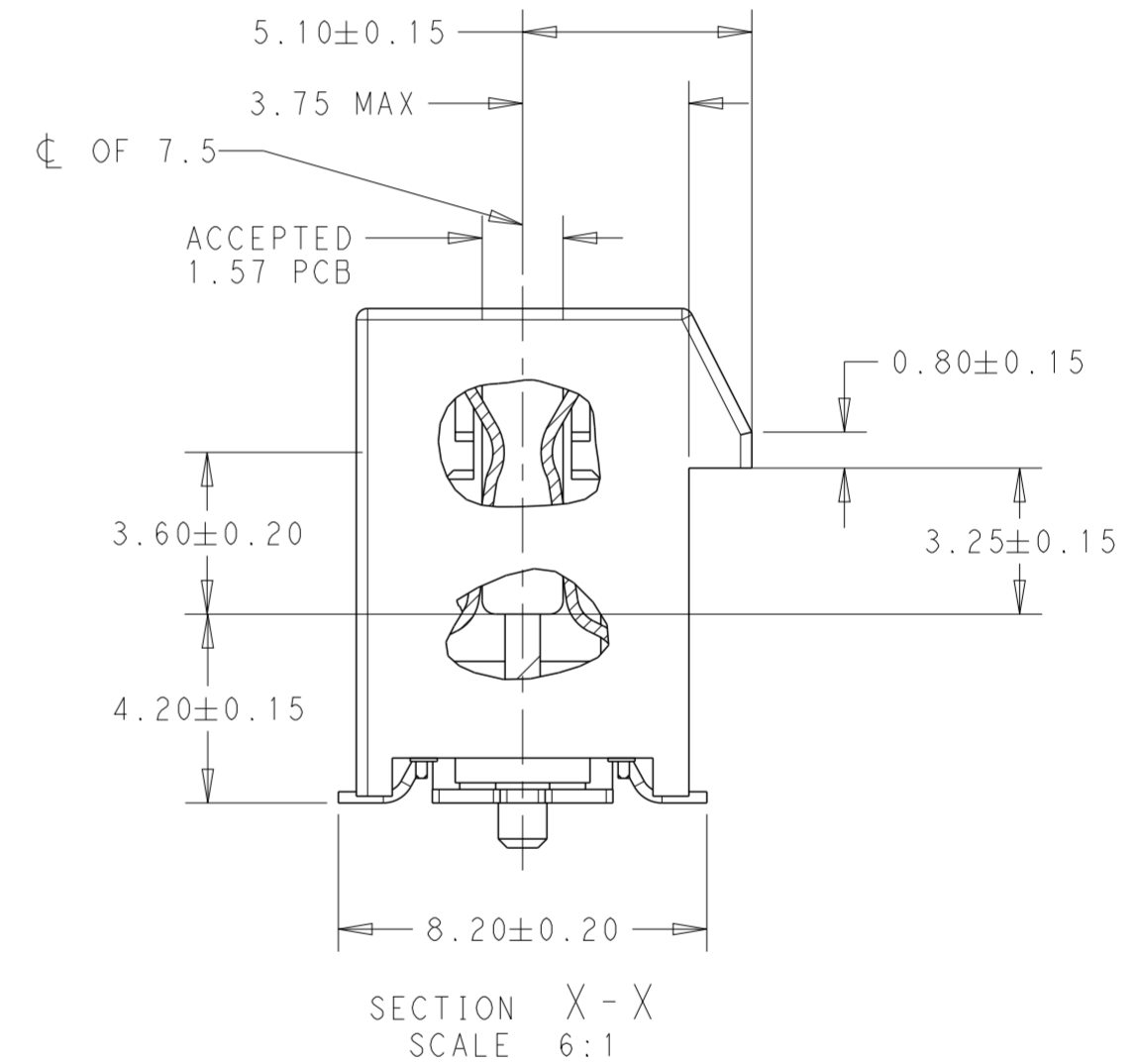
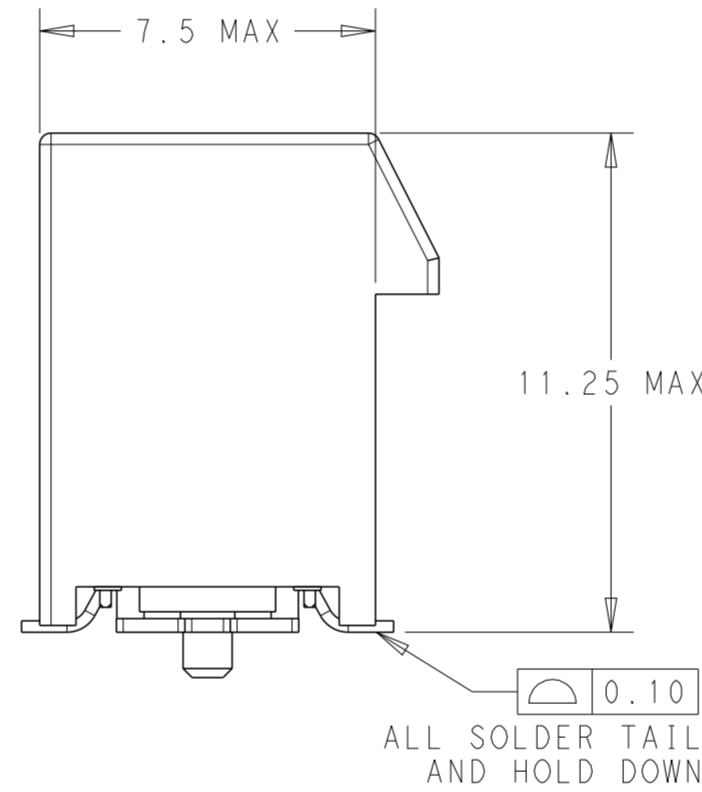
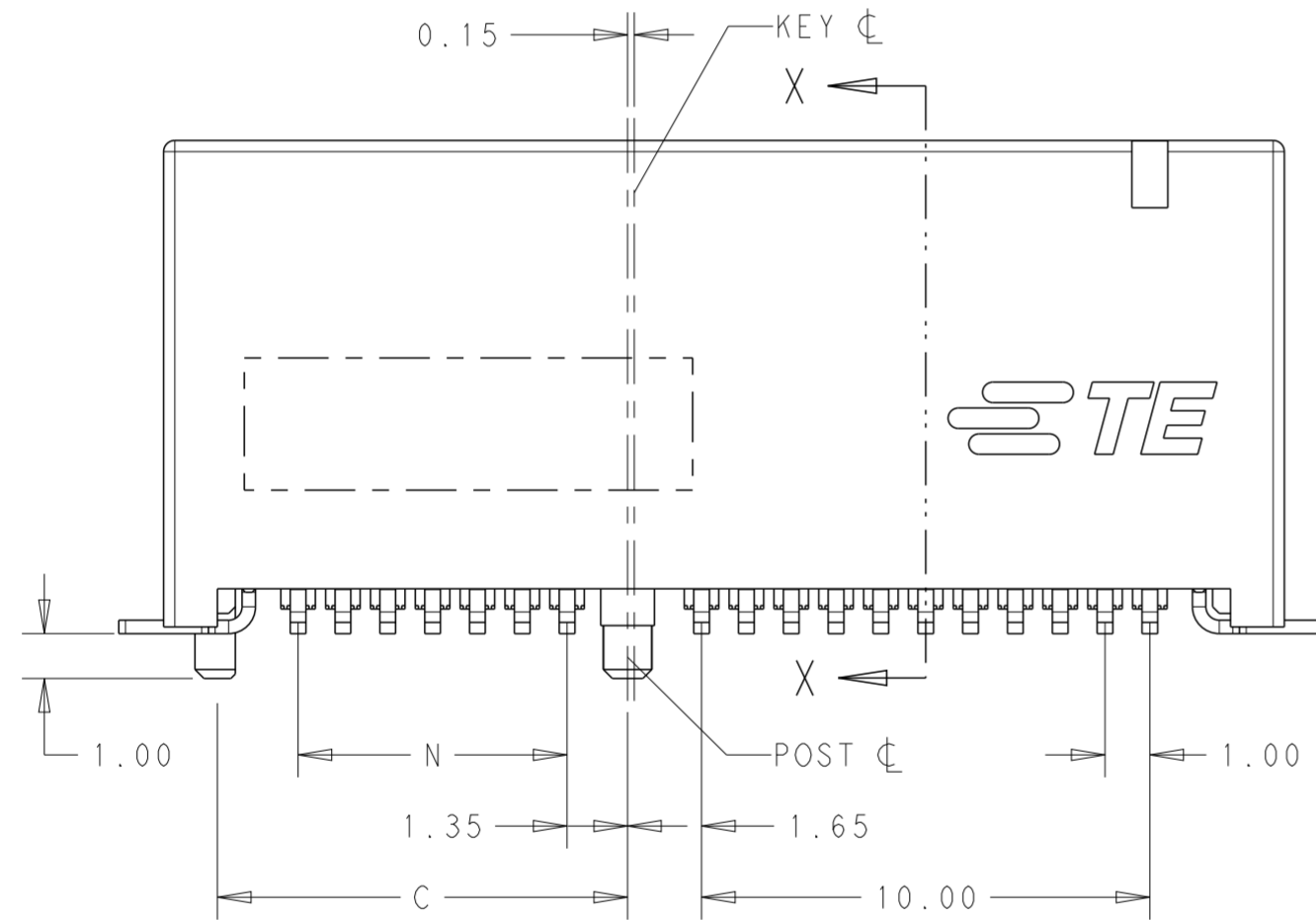
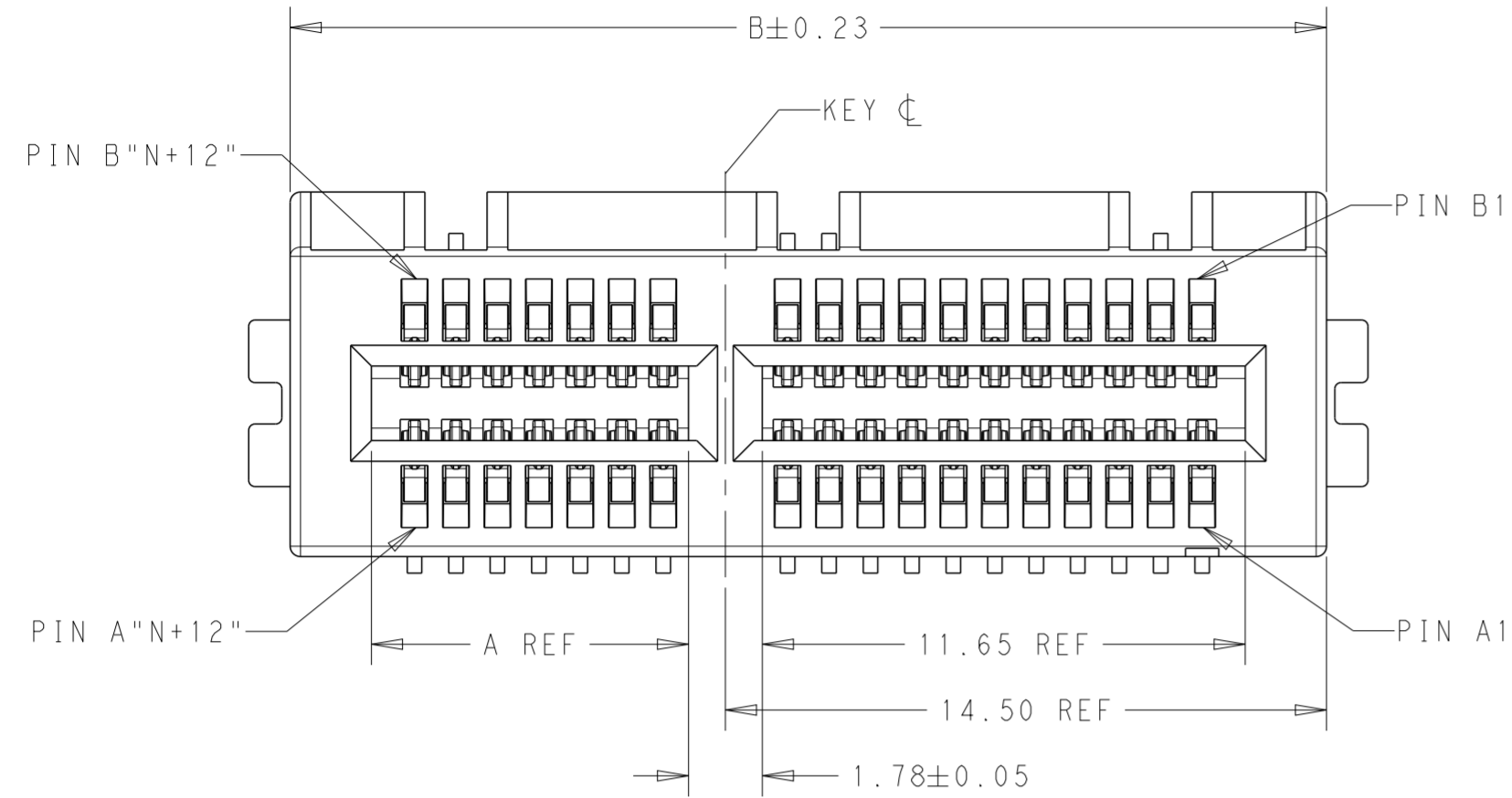


THIS DRAWING IS UNPUBLISHED. RELEASED FOR PUBLICATION 20
 © COPYRIGHT 20 BY - ALL RIGHTS RESERVED.

REVISIONS					
P	LTR	DESCRIPTION	DATE	DWN	APVD
C		ECR-21-119335	18FEB2022	TL	HL

NOTES:

- 1 MATERIAL:
HOUSING: LCP UL94V-0; BLACK
CONTACT: COPPER ALLOY
HOLD DOWN: BRASS
- 2 FINISH:
(SEE TABLE)um GOLD PLATING ON CONTACT AREA.
2.54um MATTE-TIN PLATING ON SOLDER TAIL AREA.
1.27um NICKEL UNDERPLATING OVERALL.
- 3 PARTS STATUS SEE TABLE IN SHEET 2.




THIS DRAWING IS A CONTROLLED DOCUMENT.		DWN SANDERS YAN 18 JUN 2019	STE TE Connectivity	
DIMENSIONS: mm		CHK HOPE LU 18 JUN 2019		
TOLERANCES UNLESS OTHERWISE SPECIFIED:		APVD HOPE LU 18 JUN 2019	NAME PCI EXPRESS CARD EDGE GEN 4 SLOT CHANGE CONNECTOR	
0 PLC \pm		PRODUCT SPEC -	SIZE CAGE CODE DRAWING NO RESTRICTED TO	
1 PLC ± 0.3		APPLICATION SPEC -	A200779 C-2358477	
2 PLC ± 0.20		WEIGHT -	SCALE 3:1 SHEET 1 OF 5 REV C	
3 PLC ± 0.050		CUSTOMER DRAWING		
4 PLC \pm				
ANGLES \pm				
FINISH \pm				

THIS DRAWING IS UNPUBLISHED. RELEASED FOR PUBLICATION 20
 © COPYRIGHT 20 BY - ALL RIGHTS RESERVED.

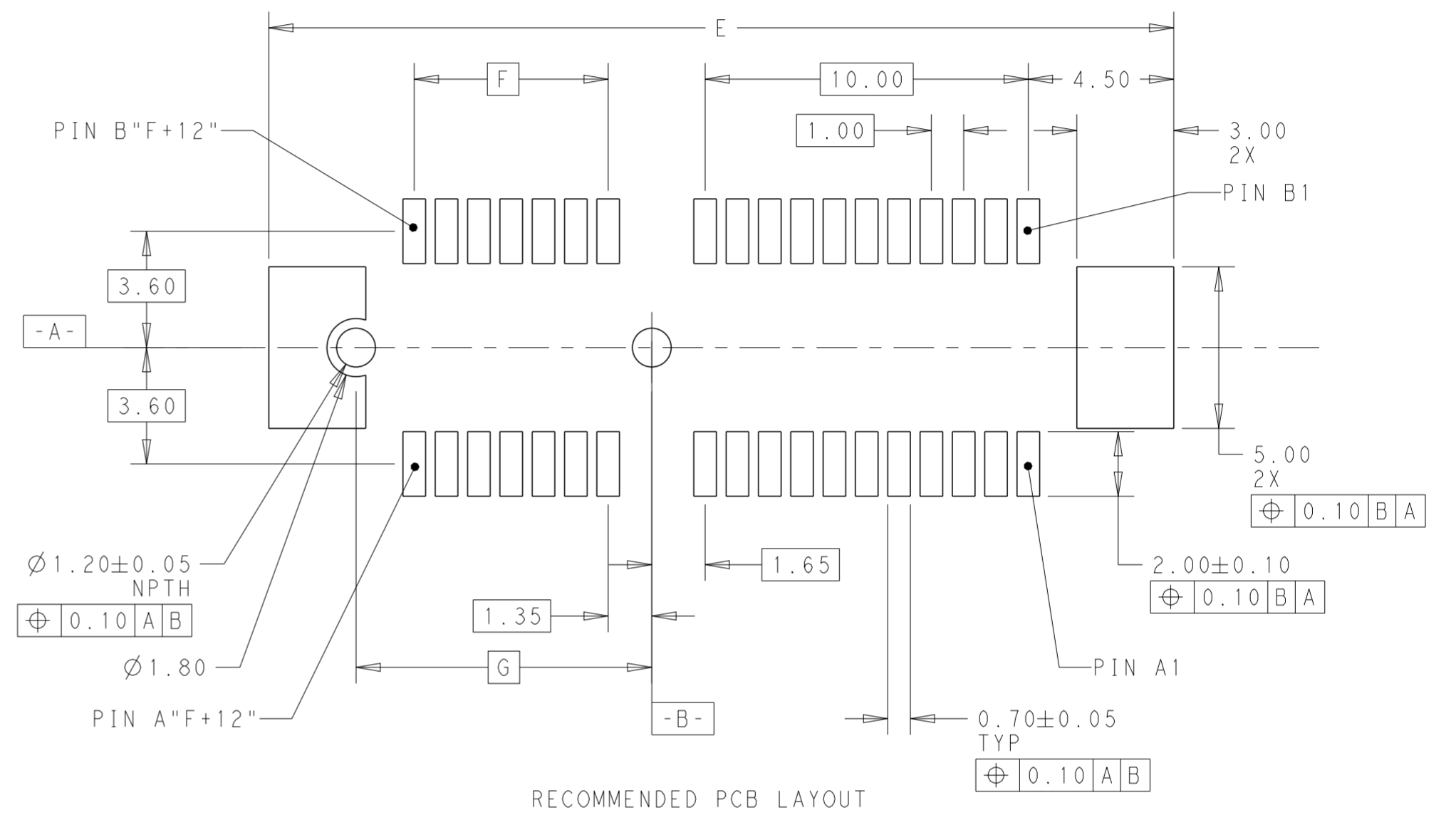
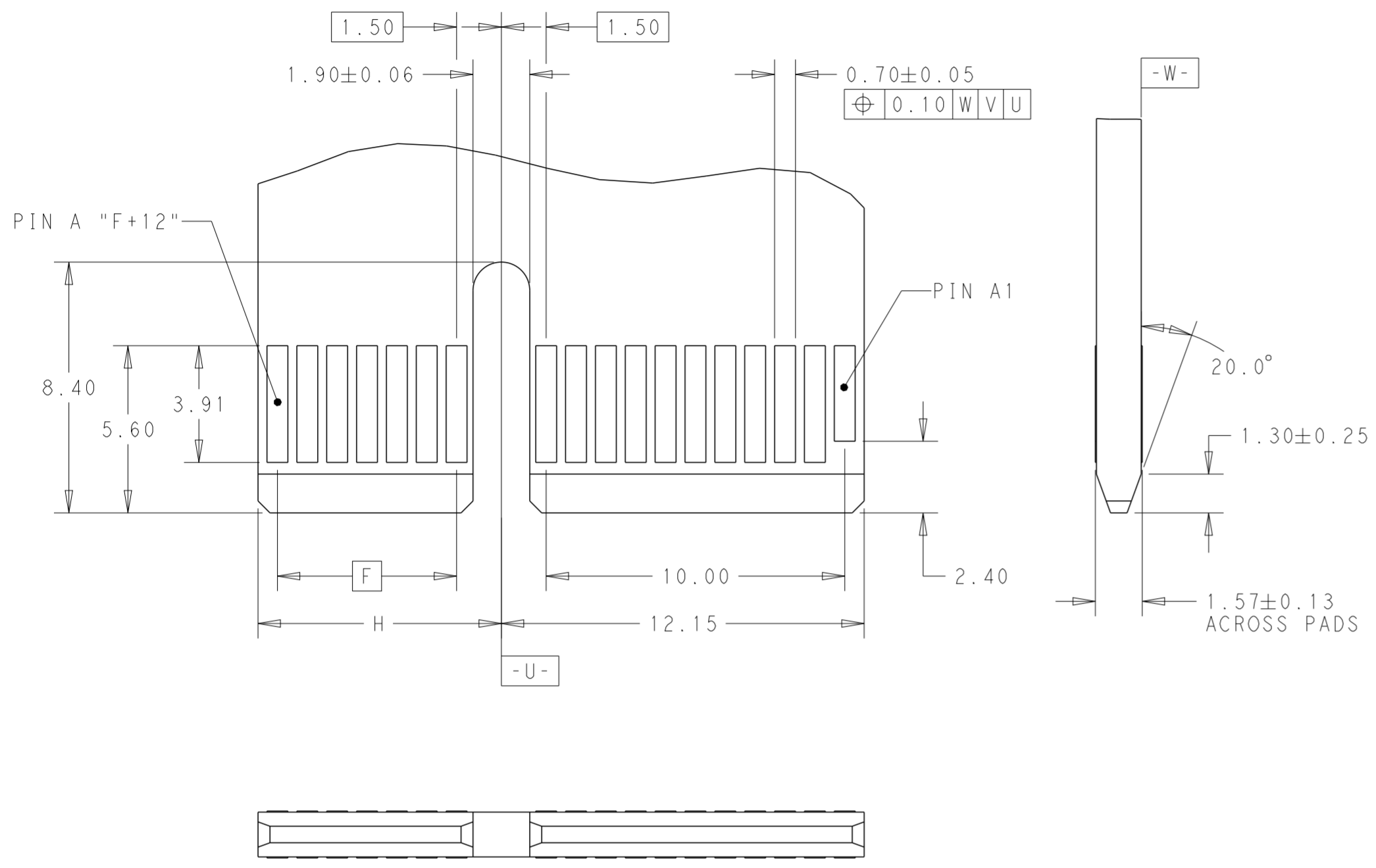
REVISIONS				
P	LTR	DESCRIPTION	DATE	APVD
-	-	SEE SHEET 1	-	-

PACKAGE	PRODUCT SPEC	GOLD PLATING	W	V	J	D	N	C	B	A	POS.	PART NUMBER	
PACKAGE 1	108-60121	30u"	86.5	8.0	44.5	91	70	73.15	89	71.65	164	5-2358477-8	
PACKAGE 2		30u"	53.5		28	58	37	40.15	56	38.65	98	5-2358477-7	
PACKAGE 3		30u"	36.5		19.5	41	20	23.15	39	21.65	64	5-2358477-6	
TBD		30u"	22.5		12.5	27	6	9.15	25	7.65	36	5-2358477-5	
PACKAGE 1		30u"	10.0		44.5	91	70	73.15	89	71.65	164	5-2358477-4	
PACKAGE 2		30u"	10.0		28	58	37	40.15	56	38.65	98	5-2358477-3	
PACKAGE 3		30u"	10.0		19.5	41	20	23.15	39	21.65	64	5-2358477-2	
TBD		30u"	10.0		12.5	27	6	9.15	25	7.65	36	5-2358477-1	
PACKAGE 1		108-60121-1	15u"		86.5	44.5	91	70	73.15	89	71.65	164	4-2358477-8
PACKAGE 2			15u"		53.5	28	58	37	40.15	56	38.65	98	4-2358477-7
PACKAGE 3			15u"		36.5	19.5	41	20	23.15	39	21.65	64	4-2358477-6
TBD			15u"		22.5	12.5	27	6	9.15	25	7.65	36	4-2358477-5
PACKAGE 1	15u"		10.0	44.5	91	70	73.15	89	71.65	164	4-2358477-4		
PACKAGE 2	15u"		10.0	28	58	37	40.15	56	38.65	98	4-2358477-3		
PACKAGE 3	15u"		10.0	19.5	41	20	23.15	39	21.65	64	4-2358477-2		
TBD	15u"		10.0	12.5	27	6	9.15	25	7.65	36	4-2358477-1		
PACKAGE 1	G/F		86.5	44.5	91	70	73.15	89	71.65	164	3-2358477-8		
PACKAGE 2	G/F		53.5	28	58	37	40.15	56	38.65	98	3-2358477-7		
PACKAGE 3	G/F		36.5	19.5	41	20	23.15	39	21.65	64	3-2358477-6		
TBD	G/F		22.5	12.5	27	6	9.15	25	7.65	36	3-2358477-5		
PACKAGE 1	G/F	10.0	44.5	91	70	73.15	89	71.65	164	3-2358477-4			
PACKAGE 2	G/F	10.0	28	58	37	40.15	56	38.65	98	3-2358477-3			
PACKAGE 3	G/F	10.0	19.5	41	20	23.15	39	21.65	64	3-2358477-2			
TBD	G/F	10.0	12.5	27	6	9.15	25	7.65	36	3-2358477-1			
PACKAGE 1	108-60121	30u"	NA	44.5	91	70	73.15	89	71.65	164	2-2358477-4		
PACKAGE 2		30u"	NA	28	58	37	40.15	56	38.65	98	2-2358477-3		
PACKAGE 3		30u"	NA	19.5	41	20	23.15	39	21.65	64	2-2358477-2		
TBD		30u"	NA	12.5	27	6	9.15	25	7.65	36	2-2358477-1		
PACKAGE 1	108-60121-1	15u"	NA	44.5	91	70	73.15	89	71.65	164	6-2358477-4		
PACKAGE 2		15u"	NA	28	58	37	40.15	56	38.65	98	6-2358477-3		
PACKAGE 3		15u"	NA	19.5	41	20	23.15	39	21.65	64	6-2358477-2		
TBD		15u"	NA	12.5	27	6	9.15	25	7.65	36	6-2358477-1		
PACKAGE 1	G/F	NA	44.5	91	70	73.15	89	71.65	164	2358477-4			
PACKAGE 2	G/F	NA	28	58	37	40.15	56	38.65	98	2358477-3			
PACKAGE 3	G/F	NA	19.5	41	20	23.15	39	21.65	64	2358477-2			
TBD	G/F	NA	12.5	27	6	9.15	25	7.65	36	2358477-1			
PACKING SPEC	PRODUCT SPEC	GOLD PLATING	W	V	J	D	N	C	B	A	POS.	PART NUMBER	
			MYLAR SIZE (PAGE 4)										

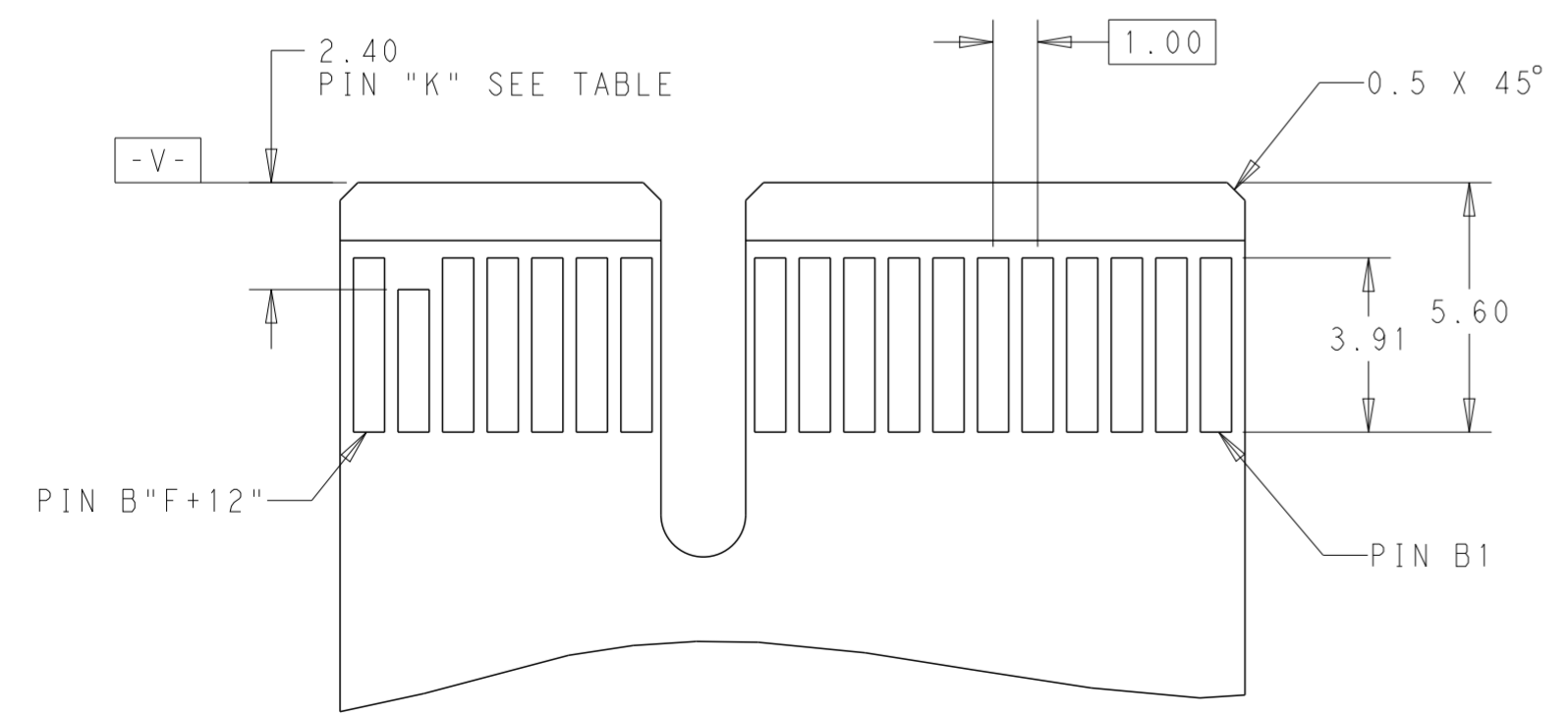
THIS DRAWING IS A CONTROLLED DOCUMENT.		DWN SANDERS YAN 18 JUN 2019	 TE Connectivity	
DIMENSIONS: mm		CHK HOPE LU 18 JUN 2019		
TOLERANCES UNLESS OTHERWISE SPECIFIED:		APVD HOPE LU 18 JUN 2019	NAME PCI EXPRESS CARD EDGE GEN 4 SLOT CHANGE CONNECTOR	
0 PLC ± 1 PLC ±0.3 2 PLC ±0.20 3 PLC ±0.050 4 PLC ± ANGLES ± FINISH		PRODUCT SPEC	SIZE CAGE CODE DRAWING NO RESTRICTED TO	
MATERIAL		APPLICATION SPEC	A200779 C-2358477	
		WEIGHT	SCALE 3:1 SHEET 2 OF 5 REV C	
		CUSTOMER DRAWING		

THIS DRAWING IS UNPUBLISHED. RELEASED FOR PUBLICATION 20
 © COPYRIGHT 20 BY - ALL RIGHTS RESERVED.

REVISIONS					
P	LTR	DESCRIPTION	DATE	DWN	APVD
-	-	SEE SHEET 1	-	-	-



RECOMMENDED PCB LAYOUT



ADD-IN CARD EDGE-FINGER DIMENSION

POS.	DIM. E	DIM. F	DIM. G	DIM. H	"K"
164	92.00	70	73.15	72.15	A1,B17,B31,B48,B81
98	59.00	37	40.15	39.15	A1,B17,B31,B48
64	42.00	20	23.15	22.15	A1,B17,B31
36	28.00	6	9.15	8.15	A1,B17

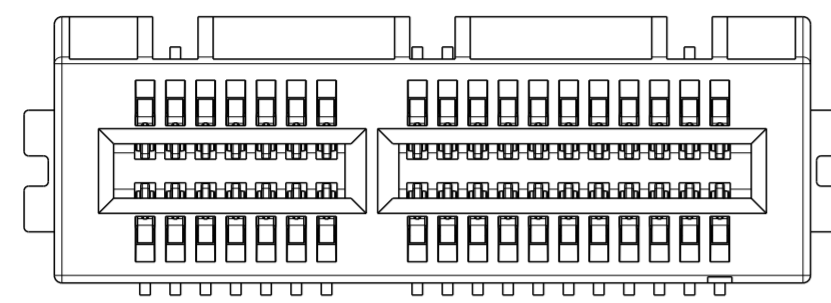
THIS DRAWING IS A CONTROLLED DOCUMENT.

DIMENSIONS: mm	TOLERANCES UNLESS OTHERWISE SPECIFIED: 0 PLC ± 1 PLC ±0.3 2 PLC ±0.20 3 PLC ±0.050 4 PLC ± ANGLES ± FINISH	DWN SANDERS YAN 18JUN2019 CHK HOPE LU 18JUN2019 APVD HOPE LU 18JUN2019	NAME PCI EXPRESS CARD EDGE GEN 4 SLOT CHANGE CONNECTOR
MATERIAL		PRODUCT SPEC	SIZE CAGE CODE DRAWING NO RESTRICTED TO
		APPLICATION SPEC	A200779 C-2358477
		WEIGHT	SCALE 3:1 SHEET 3 OF 5 REV C
		CUSTOMER DRAWING	

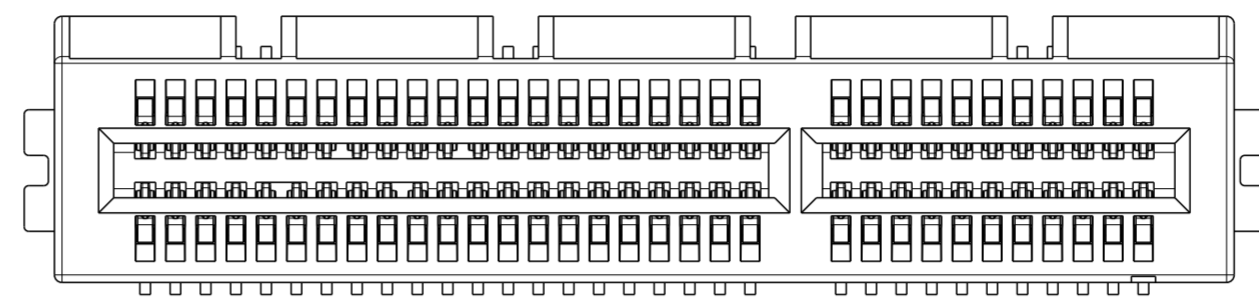
STE TE Connectivity

THIS DRAWING IS UNPUBLISHED. RELEASED FOR PUBLICATION 20
 © COPYRIGHT 20 BY - ALL RIGHTS RESERVED.

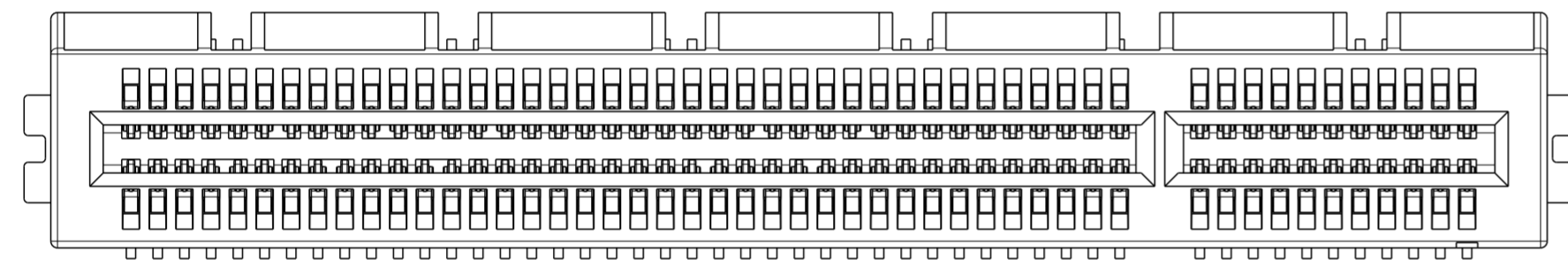
REVISIONS				
P	LTR	DESCRIPTION	DATE	APVD
-	-	SEE SHEET 1	-	-



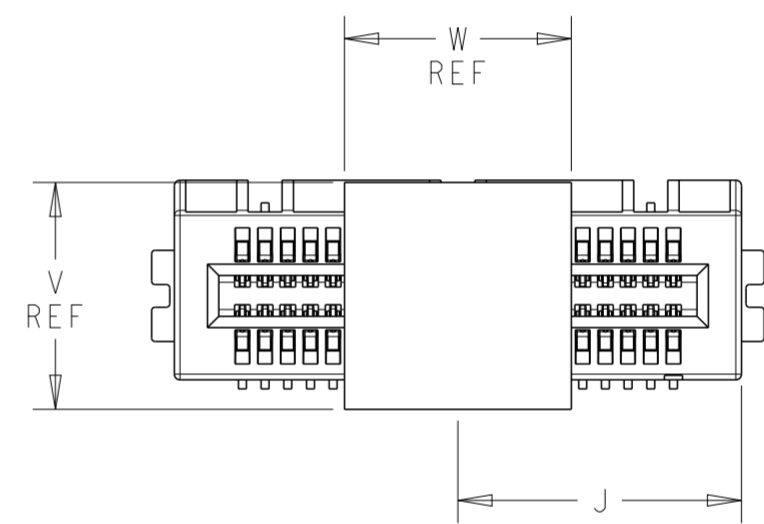
36POS AS SHOWN



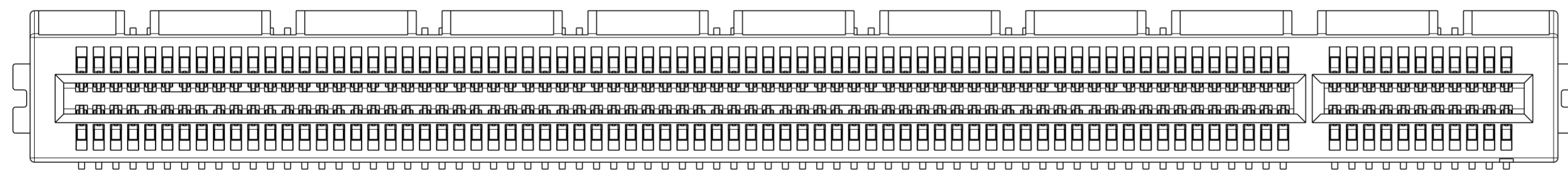
64POS AS SHOWN




98POS AS SHOWN



MYLAR SIZE

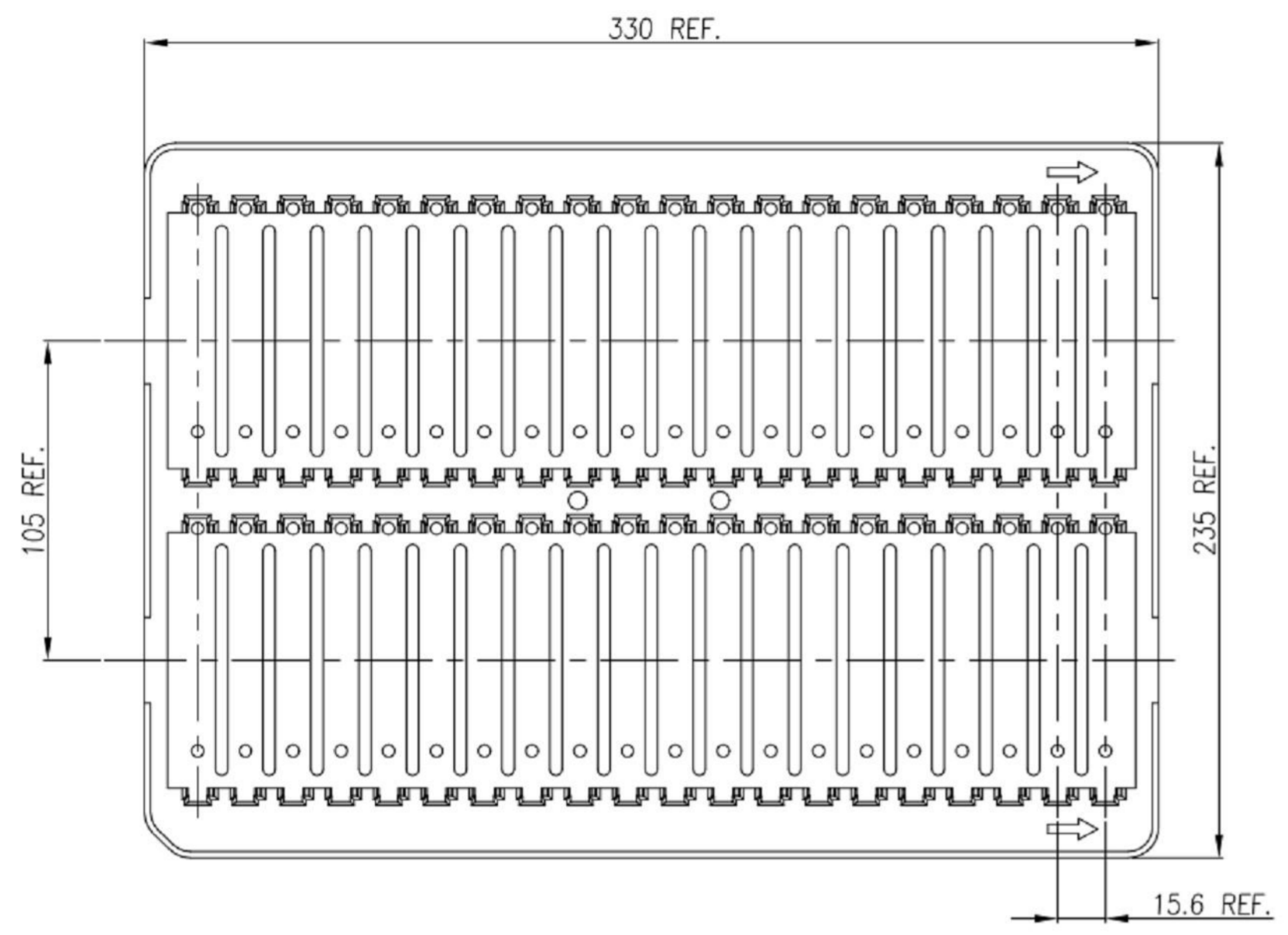


164POS AS SHOWN

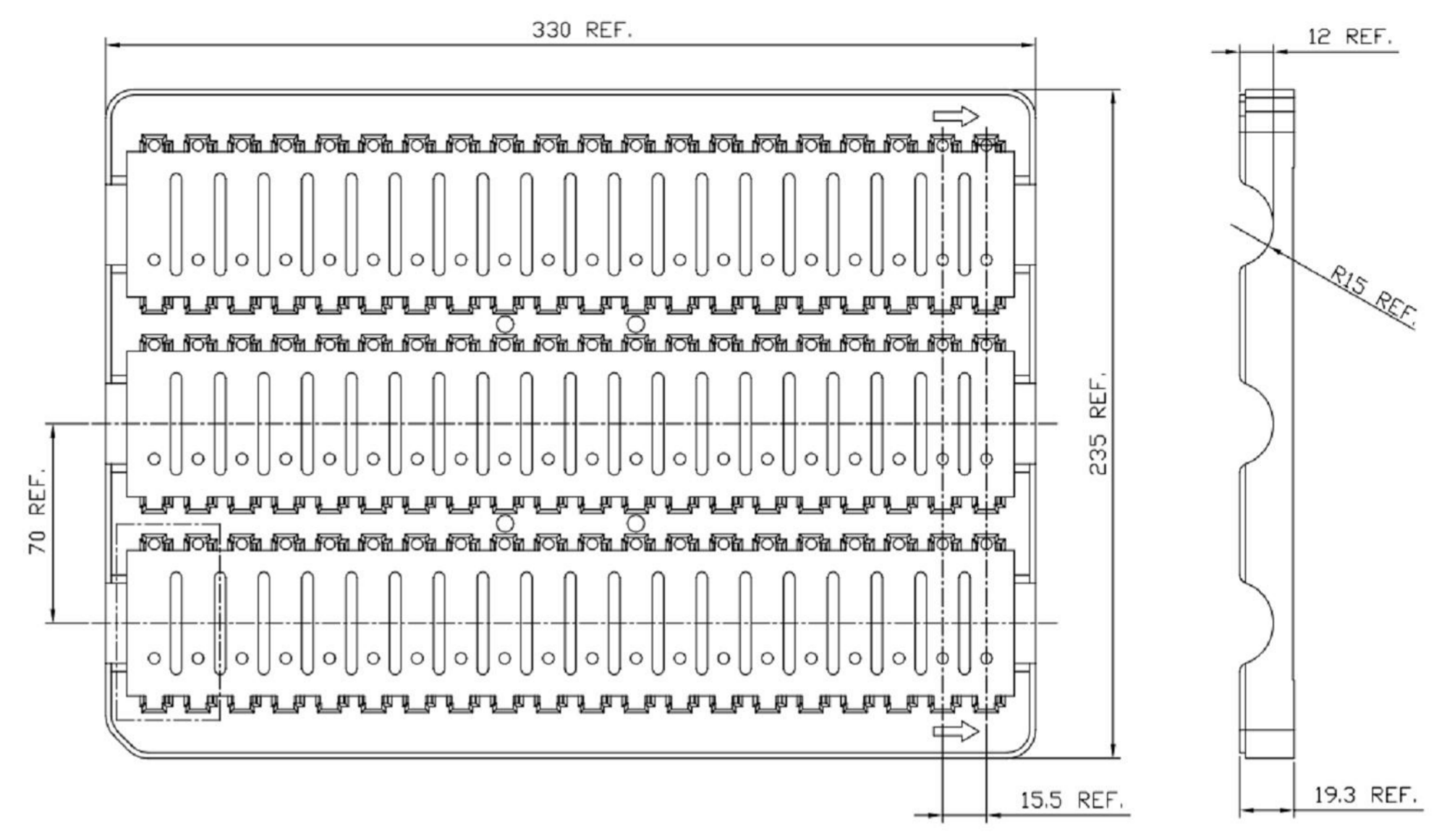
THIS DRAWING IS A CONTROLLED DOCUMENT.		DWN SANDERS YAN 18 JUN 2019	 TE Connectivity																						
DIMENSIONS: mm		CHK HOPE LU 18 JUN 2019																							
TOLERANCES UNLESS OTHERWISE SPECIFIED:		APVD HOPE LU 18 JUN 2019	NAME PCI EXPRESS CARD EDGE GEN 4 SLOT CHANGE CONNECTOR																						
<table border="0"> <tr><td>0 PLC</td><td>±</td><td>-</td></tr> <tr><td>1 PLC</td><td>±0.3</td><td>-</td></tr> <tr><td>2 PLC</td><td>±0.20</td><td>-</td></tr> <tr><td>3 PLC</td><td>±0.050</td><td>-</td></tr> <tr><td>4 PLC</td><td>±</td><td>-</td></tr> <tr><td>ANGLES</td><td>±</td><td>-</td></tr> <tr><td>FINISH</td><td>±</td><td>-</td></tr> </table>		0 PLC	±	-	1 PLC	±0.3	-	2 PLC	±0.20	-	3 PLC	±0.050	-	4 PLC	±	-	ANGLES	±	-	FINISH	±	-	PRODUCT SPEC -	SIZE A200779	CAGE CODE C-2358477
0 PLC	±	-																							
1 PLC	±0.3	-																							
2 PLC	±0.20	-																							
3 PLC	±0.050	-																							
4 PLC	±	-																							
ANGLES	±	-																							
FINISH	±	-																							
MATERIAL -		APPLICATION SPEC -	DRAWING NO -																						
-		WEIGHT -	RESTRICTED TO -																						
-		CUSTOMER DRAWING	SCALE 3:1	SHEET 4 OF 5 REV C																					

THIS DRAWING IS UNPUBLISHED. RELEASED FOR PUBLICATION 20
 © COPYRIGHT 20 BY - ALL RIGHTS RESERVED.

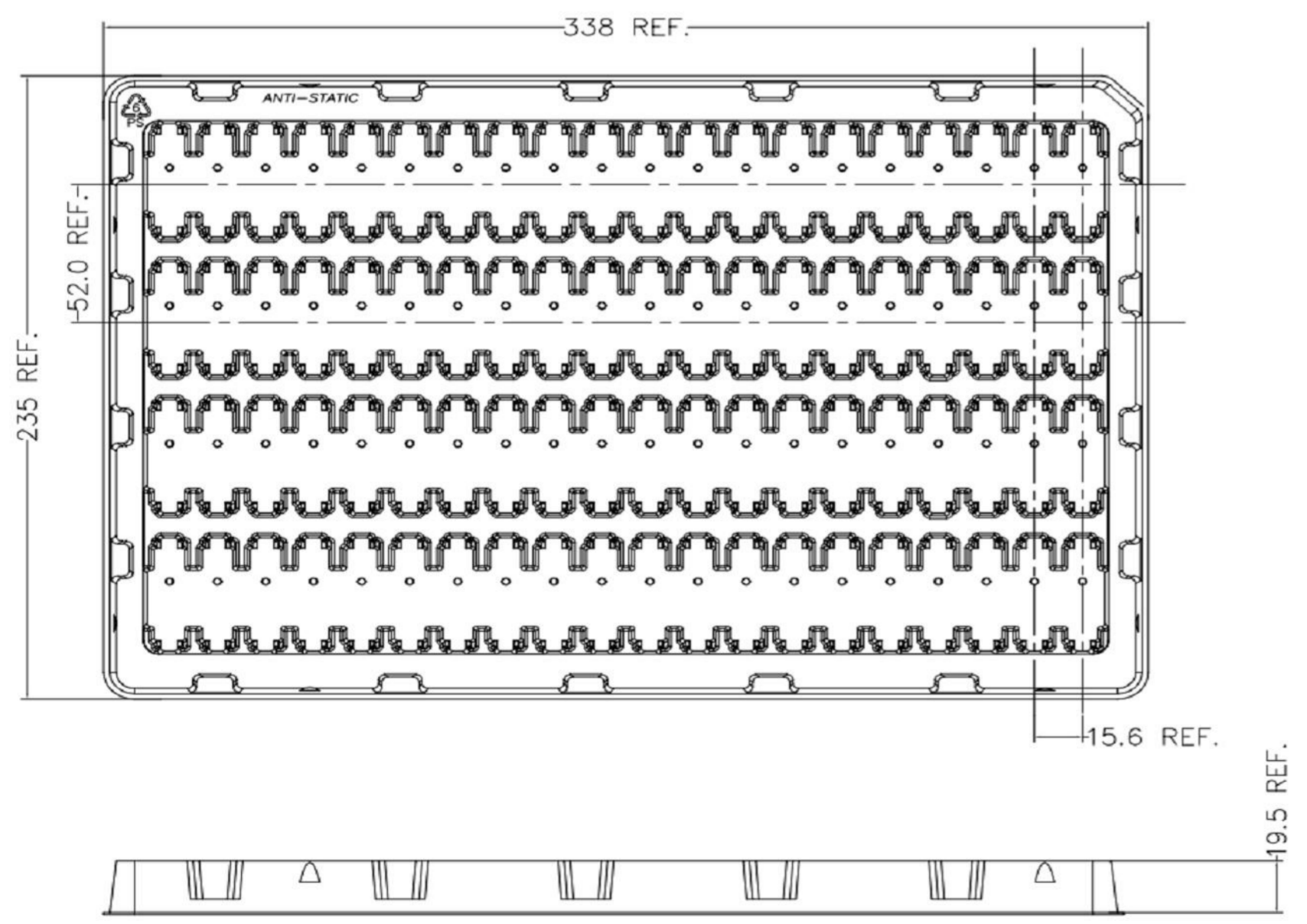
REVISIONS				
P	LTR	DESCRIPTION	DATE	APVD
-	-	SEE SHEET 1	-	-




PACKAGE 1



PACKAGE 2



PACKAGE 3

THIS DRAWING IS A CONTROLLED DOCUMENT.		DWN SANDERS YAN 18 JUN 2019	 TE Connectivity	NAME PCI EXPRESS CARD EDGE GEN 4 SLOT CHANGE CONNECTOR		
DIMENSIONS: mm		CHK HOPE LU 18 JUN 2019		SIZE		
TOLERANCES UNLESS OTHERWISE SPECIFIED:		APVD HOPE LU 18 JUN 2019		CAGE CODE	DRAWING NO	RESTRICTED TO
0 PLC ± 1 PLC ±0.3 2 PLC ±0.20 3 PLC ±0.050 4 PLC ± ANGLES ± FINISH		PRODUCT SPEC		A200779	C-2358477	-
MATERIAL		APPLICATION SPEC	WEIGHT	SCALE 3:1 SHEET 5 OF 5 REV C		
		CUSTOMER DRAWING				