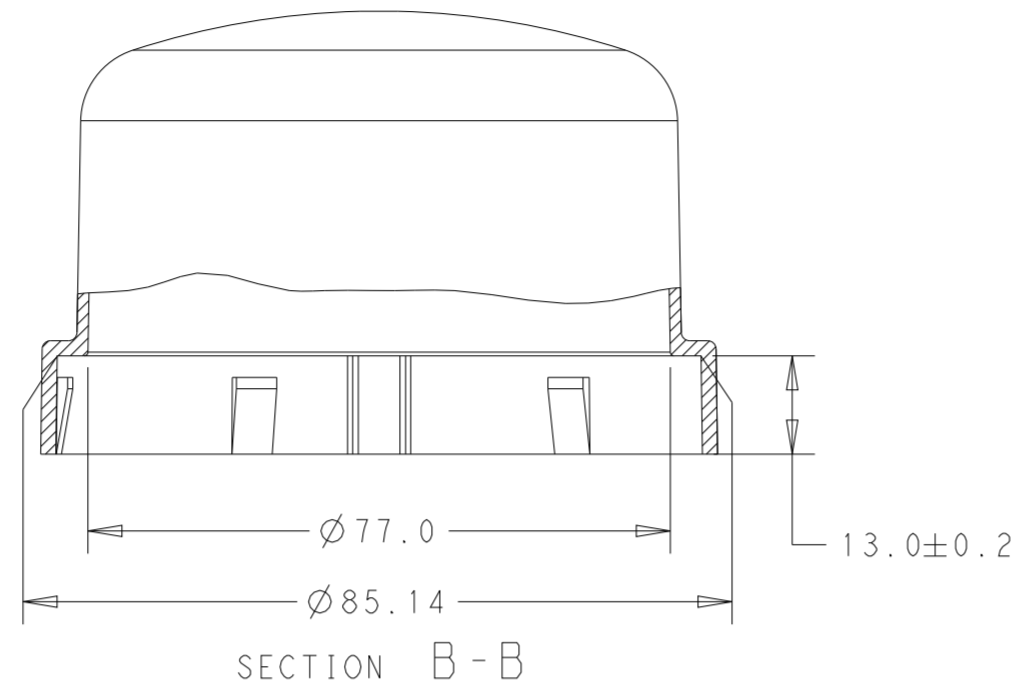
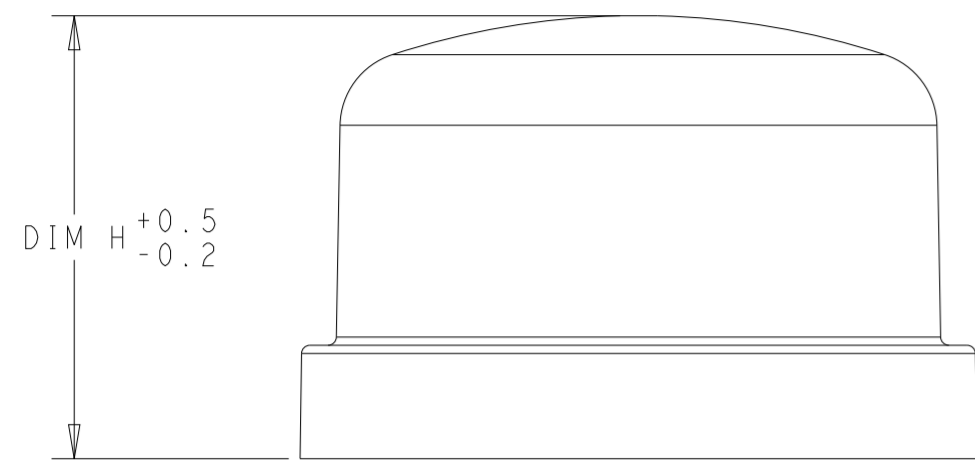
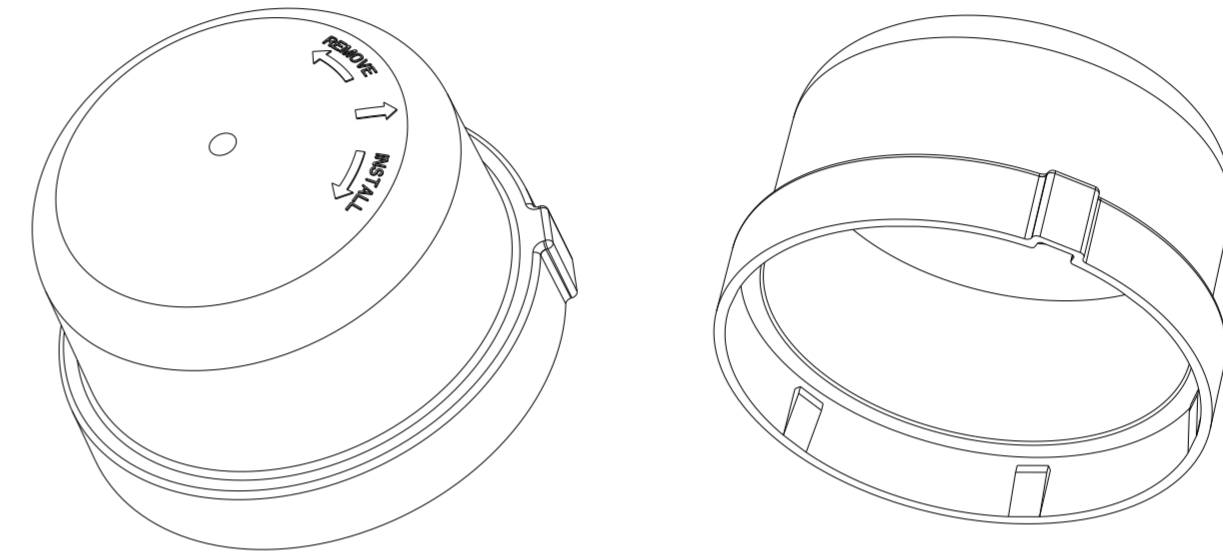
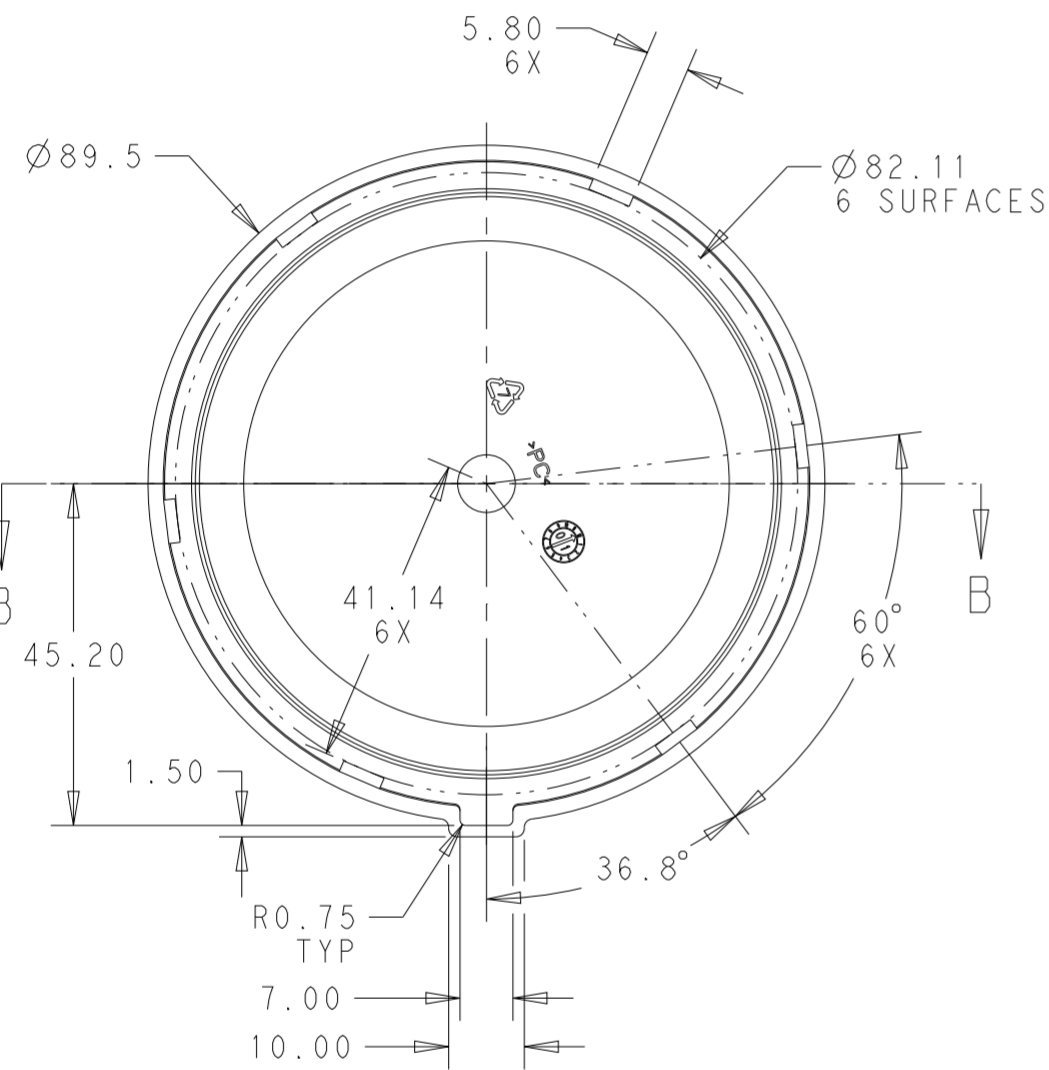


P	LTR	DESCRIPTION	DATE	DWN	APVD
A		ECN-21-128048	24NOV2021	CD	MM
A1		REVISED PER ECR-22-127007	20JAN2022	SD	MM

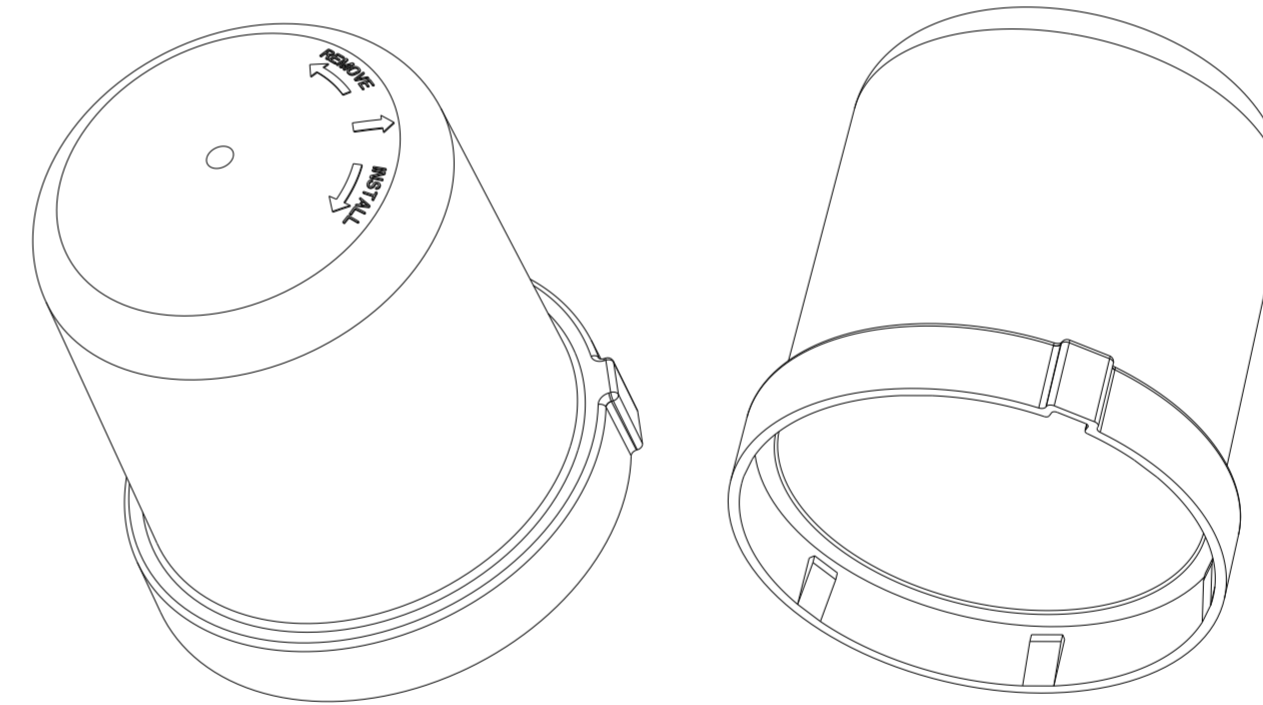


NOTES:

- 1 MATERIALS:
HOUSING: POLYCARBONATE, UL 94V-0 RATED
COLOR: SEE TABLE
- 2 MATING BASE TE P/N: 2359482-X.



2359615-1, 2359615-2, 2359615-5, 1-2359615-1
SHOWN



2359615-3, 2359615-4, 2359615-6, 1-2359615-3
SHOWN

98.0	BLUE	1-2359615-3
58.6	BLUE	1-2359615-1
98.0	CLEAR	2359615-6
58.6	CLEAR	2359615-5
98.0	LIGHT GRAY	2359615-4
98.0	SMOKE GRAY	2359615-3
58.6	LIGHT GRAY	2359615-2
58.6	SMOKE GRAY	2359615-1
DIM H	COLOR	PART NO.

THIS DRAWING IS A CONTROLLED DOCUMENT.		DWN C. DAILY 18JUL2019	TE Connectivity	
		CHK J. LATORRE 18JUL2019		
DIMENSIONS:	TOLERANCES UNLESS OTHERWISE SPECIFIED:	APVD	NAME	
mm	0 PLC ± 1 PLC ±0.2 2 PLC ±0.13 3 PLC ± 4 PLC ±	-	COVER	
	ANGLES ±1°	PRODUCT SPEC	PHOTOCELL,	
	FINISH	108-32606	LUMAWISE ENDURANCE N+	
MATERIAL		APPLICATION SPEC	SIZE	CAGE CODE
1		114-32363	A2	-
		WEIGHT	DRAWING NO	
		-	C-2359615	
		CUSTOMER DRAWING	SCALE	SHEET
			1:1	1 OF 1
				REV A1