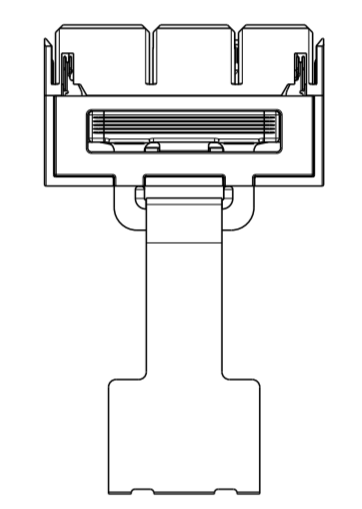
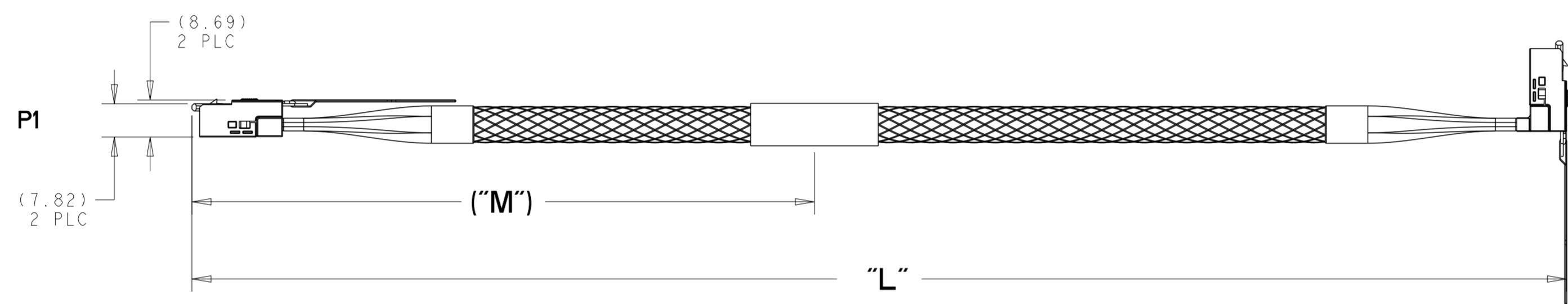
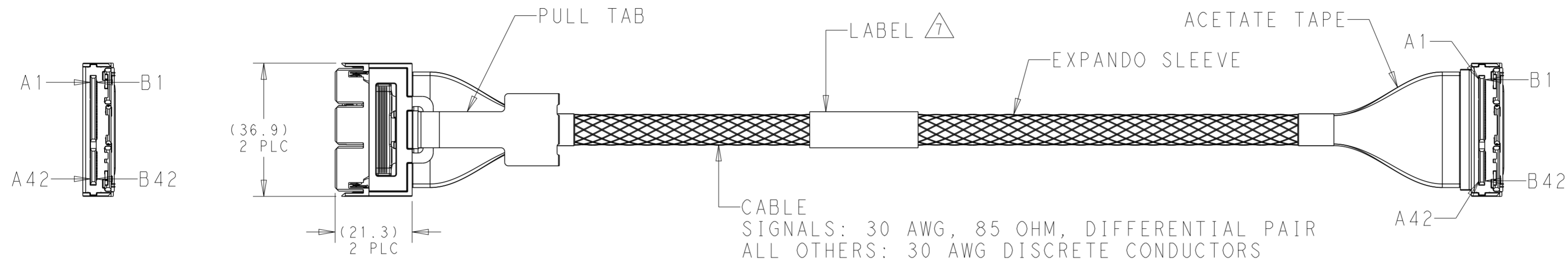


THIS DRAWING IS UNPUBLISHED. RELEASED FOR PUBLICATION 20
 © COPYRIGHT 20 BY - ALL RIGHTS RESERVED.

REVISIONS				
P	LTR	DESCRIPTION	DATE	APVD
B		ECO-20-013466	24SEP2020	NN DZ



1. ALL MATERIALS, COMPONENTS AND PROCESS SHALL COMPLY WITH TEC-138-702. (CONTAINS NO BANNED OR RESTRICTED SUBSTANCES).
2. NO REACH SvHC SHALL BE CONTAINED ABOVE THE THRESHOLD AS DEFINED IN REACH SvHC COMPLIANCE DEFINITION IN ANNEX A OF TEC-138-702.
3. ASSEMBLY TESTED FOR CONTINUITY, OPENS, SHORTS, AND SIGNAL INTEGRITY.
4. CABLE BEND RADIUS 5X BUNDLE CABLE OD.
5. SEE SHEET 2 AND 3 FOR WIRING SCHEMATIC.
6. CONNECTORS ARE GEN-Z COMPLIANT.

7 LABEL INFORMATION SHOWN BELOW:



8. CABLE CONNECTOR MATES WITH TE SLIVER RECEPTACLE P/N 2331813-X, OR 2331814-X.


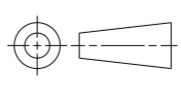
500	1000 +10/-0	2361344-2
250	500 +10/-0	2361344-1
("M")	"L"	TE P/N

THIS DRAWING IS A CONTROLLED DOCUMENT.		DWN B. MATTHEWS 27AUG2019	TE Connectivity	
		CHK R. HENRY 27AUG2019		
DIMENSIONS: mm 		TOLERANCES UNLESS OTHERWISE SPECIFIED: 0 PLC ± 1 PLC ±0.5 2 PLC ±0.13 3 PLC ±0.013 4 PLC ±0.0001 ANGLES ± FINISH -		NAME SLIVER 2.0 2C 30AWG STRAIGHT TO RIGHT ANGLE SIZE A2 CAGE CODE 00779 DRAWING NO C-2361344 RESTRICTED TO -
MATERIAL -		APVD -		SCALE 1:1
		PRODUCT SPEC -		SHEET 1 OF 3
		APPLICATION SPEC -		REV B
		WEIGHT -		
		CUSTOMER DRAWING		

THIS DRAWING IS UNPUBLISHED. RELEASED FOR PUBLICATION 20
 © COPYRIGHT 20 BY - ALL RIGHTS RESERVED.

REVISIONS					
P	LTR	DESCRIPTION	DATE	DWN	APVD
-	-	SEE SHEET 1	-	-	-


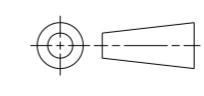
P1	WIRE TYPE	P2		
		DESIGNATION	PAIR NO.	
PIN NO.	PAIR NO.	DESIGNATION	PAIR NO.	PIN NO.
A1		GROUND		A1
A2		GROUND		A2
A3		GROUND		A3
A4		GROUND		A4
A5		GROUND		A5
A6		GROUND		A6
A7		SIDE BAND		A7
A8		SIDE BAND		A8
A9		SIDE BAND		A9
A10		SIDE BAND		A10
A11		SIDE BAND		A11
A12		SIDE BAND		A12
A13		GND		A13
A14		CLK		A14
A15		CLK		A15
A16		GND		A16
A17	0	PCIeTX	0	A17
A18	0	PCIe TX	0	A18
A19		GND		A19
A20	1	PCIeTX	1	A20
A21	1	PCIe TX	1	A21
A22		GND		A22
A23	2	PCIeTX	2	A23
A24	2	PCIe TX	2	A24
A25		GND		A25
A26	3	PCIeTX	3	A26
A27	3	PCIe TX	3	A27
A28		GND		A28
A29		KEY		A29
A30	4	PCIeTX	4	A30
A31	4	PCIe TX	4	A31
A32		GND		A32
A33	5	PCIeTX	5	A33
A34	5	PCIe TX	5	A34
A35		GND		A35
A36	6	PCIeTX	6	A36
A37	6	PCIe TX	6	A37
A38		GND		A38
A39	7	PCIeTX	7	A39
A40	7	PCIe TX	7	A40
A41		GND		A41
A42		SIDE BAND		A42

THIS DRAWING IS A CONTROLLED DOCUMENT.		DWN B. MATTHEWS 27AUG2019	 TE Connectivity	
DIMENSIONS: mm 		CHK R. HENRY 27AUG2019		
TOLERANCES UNLESS OTHERWISE SPECIFIED: 0 PLC ± 1 PLC ±0.5 2 PLC ±0.13 3 PLC ±0.013 4 PLC ±0.001 ANGLES ± FINISH -		NAME SLIVER 2.0 2C 30AWG STRAIGHT TO RIGHT ANGLE	PRODUCT SPEC -	RESTRICTED TO -
MATERIAL -	WEIGHT -	SIZE A200779	CAGE CODE C-2361344	DRAWING NO. -
CUSTOMER DRAWING		SCALE 1:1	SHEET 2 OF 3	REV B

THIS DRAWING IS UNPUBLISHED. RELEASED FOR PUBLICATION 20
 © COPYRIGHT 20 BY - ALL RIGHTS RESERVED.

REVISIONS					
P	LTR	DESCRIPTION	DATE	DWN	APVD
-	-	SEE SHEET 1	-	-	-

P1				WIRE TYPE	P2		
PIN NO.	PAIR NO.	DESIGNATION	DESIGNATION		PAIR NO.	PIN NO.	
B1		12V POWER	DISCRETE	12V POWER		B1	
B2		12V POWER	DISCRETE	12V POWER		B2	
B3		12V POWER	DISCRETE	12V POWER		B3	
B4		12V POWER	DISCRETE	12V POWER		B4	
B5		12V POWER	DISCRETE	12V POWER		B5	
B6		12V POWER	DISCRETE	12V POWER		B6	
B7		SIDE BAND	DISCRETE	SIDE BAND		B7	
B8		SIDE BAND	DISCRETE	SIDE BAND		B8	
B9		SIDE BAND	DISCRETE	SIDE BAND		B9	
B10		SIDE BAND	DISCRETE	SIDE BAND		B10	
B11		3.3 AUX POWER	DISCRETE	3.3 AUX POWER		B11	
B12		SIDE BAND	DISCRETE	SIDE BAND		B12	
B13		GND		GND		B13	
B14		CLK	DIFF PAIR	CLK		B14	
B15		CLK	DIFF PAIR	CLK		B15	
B16		GND		GND		B16	
B17	0	PCIe RX	DIFF PAIR	PCIe RX	0	B17	
B18	0	PCIe RX	DIFF PAIR	PCIe RX	0	B18	
B19		GND		GND		B19	
B20	1	PCIe RX	DIFF PAIR	PCIe RX	1	B20	
B21	1	PCIe RX	DIFF PAIR	PCIe RX	1	B21	
B22		GND		GND		B22	
B23	2	PCIe RX	DIFF PAIR	PCIe RX	2	B23	
B24	2	PCIe RX	DIFF PAIR	PCIe RX	2	B24	
B25		GND		GND		B25	
B26	3	PCIe RX	DIFF PAIR	PCIe RX	3	B26	
B27	3	PCIe RX	DIFF PAIR	PCIe RX	3	B27	
B28		GND		GND		B28	
		KEY		KEY			
B29		GND		GND		B29	
B30	4	PCIe RX	DIFF PAIR	PCIe RX	4	B30	
B31	4	PCIe RX	DIFF PAIR	PCIe RX	4	B31	
B32		GND		GND		B32	
B33	5	PCIe RX	DIFF PAIR	PCIe RX	5	B33	
B34	5	PCIe RX	DIFF PAIR	PCIe RX	5	B34	
B35		GND		GND		B35	
B36	6	PCIe RX	DIFF PAIR	PCIe RX	6	B36	
B37	6	PCIe RX	DIFF PAIR	PCIe RX	6	B37	
B38		GND		GND		B38	
B39	7	PCIe RX	DIFF PAIR	PCIe RX	7	B39	
B40	7	PCIe RX	DIFF PAIR	PCIe RX	7	B40	
B41		GND		GND		B41	
B42		SIDE BAND	DISCRETE	SIDE BAND		B42	

THIS DRAWING IS A CONTROLLED DOCUMENT.		DWN B. MATTHEWS 27AUG2019	 TE Connectivity	
DIMENSIONS: mm		CHK R. HENRY 27AUG2019		
		TOLERANCES UNLESS OTHERWISE SPECIFIED: 0 PLC ±- 1 PLC ±0.5 2 PLC ±0.13 3 PLC ±0.013 4 PLC ±0.001 ANGLES ±-		NAME SLIVER 2.0 2C 30AWG STRAIGHT TO RIGHT ANGLE
MATERIAL		APVD	PRODUCT SPEC	RESTRICTED TO
-		-	APPLICATION SPEC	-
-		WEIGHT	SIZE	CAGE CODE
-		-	A200779	DRAWING NO
-		CUSTOMER DRAWING	C-2361344	SCALE
-		SCALE	1:1	SHEET
-		1 OF 3	REV	B