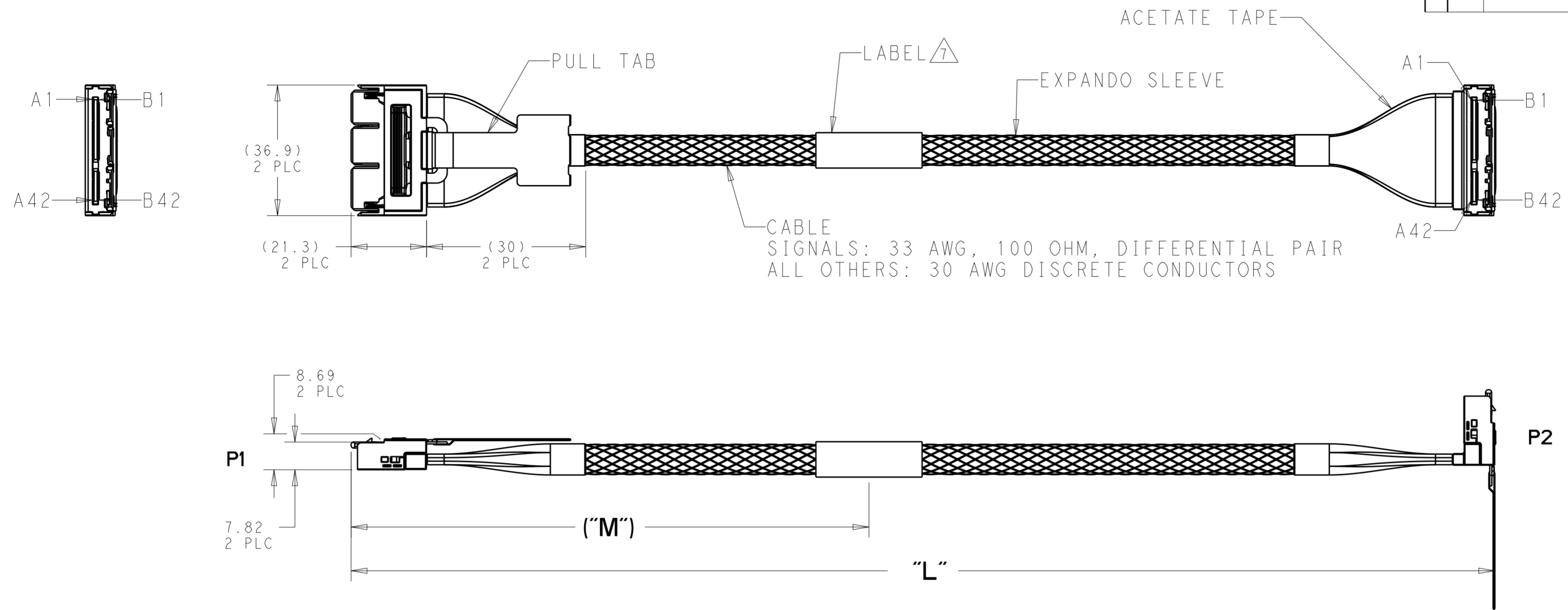


THIS DRAWING IS UNPUBLISHED. RELEASED FOR PUBLICATION 20
 © COPYRIGHT 20 BY - ALL RIGHTS RESERVED.

REVISIONS				
P	LTR	DESCRIPTION	DATE	APVD
B		ECO-20-013466	28SEP2020	NN DZ



1. ALL MATERIALS, COMPONENTS AND PROCESS SHALL COMPLY WITH TEC-138-702. (CONTAINS NO BANNED OR RESTRICTED SUBSTANCES).
2. NO REACH SvHC SHALL BE CONTAINED ABOVE THE THRESHOLD AS DEFINED IN REACH SvHC COMPLIANCE DEFINITION IN ANNEX A OF TEC-138-702.
3. ASSEMBLY TESTED FOR CONTINUITY, OPENS, SHORTS, AND SIGNAL INTEGRITY.
4. CABLE BEND RADIUS 5X BUNDLE CABLE OD.
5. SEE SHEET 2 AND 3 FOR WIRING SCHEMATIC.
6. CONNECTORS ARE GEN-Z COMPLIANT.

△ LABEL INFORMATION SHOWN BELOW:



8. CABLE CONNECTOR MATES WITH TE SLIVER RECEPTACLE P/N 2331813-X, OR 2331814-X.

500	1000 +10/-0	2361349-2
250	500 +10/-0	2361349-1
("M")	"L"	TE P/N

THIS DRAWING IS A CONTROLLED DOCUMENT.		DWN B. MATTHEWS 29AUG2019	STE TE Connectivity	
		CHK R. HENRY 29AUG2019		
DIMENSIONS:	TOLERANCES UNLESS OTHERWISE SPECIFIED:	APVD	NAME	
mm	0 PLC ± 1 PLC ±0.5 2 PLC ±0.13 3 PLC ±0.013 4 PLC ±0.0001	-	SLIVER 2.0 2C 33AWG 100 OHM STRAIGHT TO RIGHT ANGLE	
MATERIAL	FINISH	PRODUCT SPEC	SIZE	CAGE CODE
-	-	-	A2	00779
		APPLICATION SPEC	DRAWING NO	RESTRICTED TO
		-	C-2361349	-
		WEIGHT	CUSTOMER DRAWING	SCALE 1:1 SHEET 1 OF 3 REV B
		-		

THIS DRAWING IS UNPUBLISHED. RELEASED FOR PUBLICATION 20
 © COPYRIGHT 20 BY - ALL RIGHTS RESERVED.

REVISIONS				
P	LTR	DESCRIPTION	DATE	APVD
-	-	SEE SHEET 1	-	-

P1	WIRE TYPE	P2		
		DESIGNATION	PAIR NO.	
PIN NO.	PAIR NO.	DESIGNATION	PAIR NO.	PIN NO.
A1		GROUND		A1
A2		GROUND		A2
A3		GROUND		A3
A4		GROUND		A4
A5		GROUND		A5
A6		GROUND		A6
A7		SIDE BAND		A7
A8		SIDE BAND		A8
A9		SIDE BAND		A9
A10		SIDE BAND		A10
A11		SIDE BAND		A11
A12		SIDE BAND		A12
A13		GND		A13
A14		CLK		A14
A15		CLK		A15
A16		GND		A16
A17	0	PCIeTX	0	A17
A18	0	PCIe TX	0	A18
A19		GND		A19
A20	1	PCIeTX	1	A20
A21	1	PCIe TX	1	A21
A22		GND		A22
A23	2	PCIeTX	2	A23
A24	2	PCIe TX	2	A24
A25		GND		A25
A26	3	PCIeTX	3	A26
A27	3	PCIe TX	3	A27
A28		GND		A28
		KEY		
A29		GND		A29
A30	4	PCIeTX	4	A30
A31	4	PCIe TX	4	A31
A32		GND		A32
A33	5	PCIeTX	5	A33
A34	5	PCIe TX	5	A34
A35		GND		A35
A36	6	PCIeTX	6	A36
A37	6	PCIe TX	6	A37
A38		GND		A38
A39	7	PCIeTX	7	A39
A40	7	PCIe TX	7	A40
A41		GND		A41
A42		SIDE BAND		A42

THIS DRAWING IS A CONTROLLED DOCUMENT.

DWN: B. MATTHEWS 29AUG2019
 CHK: R. HENRY 29AUG2019
 APVD: -

STE TE Connectivity

NAME: SLIVER 2.0 2C 33AWG 100 OHM STRAIGHT TO RIGHT ANGLE

SIZE: A2 CAGE CODE: 00779 DRAWING NO: C-2361349 RESTRICTED TO: -

MATERIAL: - DIMENSIONS: mm TOLERANCES UNLESS OTHERWISE SPECIFIED: 0 PLC ±, 1 PLC ±0.5, 2 PLC ±0.13, 3 PLC ±0.013, 4 PLC ±0.001 ANGLES ±, FINISH -


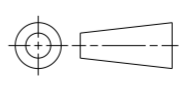
PRODUCT SPEC: - APPLICATION SPEC: - WEIGHT: -

CUSTOMER DRAWING SCALE: 1:1 SHEET: 2 OF 3 REV: B

THIS DRAWING IS UNPUBLISHED. RELEASED FOR PUBLICATION 20
 © COPYRIGHT 20 BY - ALL RIGHTS RESERVED.

REVISIONS				
P	LTR	DESCRIPTION	DATE	APVD
-	-	SEE SHEET 1	-	-

P1	WIRE TYPE	P2		
		DESIGNATION	PAIR NO.	
PIN NO.	PAIR NO.	DESIGNATION	PAIR NO.	PIN NO.
B1		12V POWER		B1
B2		12V POWER		B2
B3		12V POWER		B3
B4		12V POWER		B4
B5		12V POWER		B5
B6		12V POWER		B6
B7		SIDE BAND		B7
B8		SIDE BAND		B8
B9		SIDE BAND		B9
B10		SIDE BAND		B10
B11		3.3 AUX POWER		B11
B12		SIDE BAND		B12
B13		GND		B13
B14		CLK		B14
B15		CLK		B15
B16		GND		B16
B17	0	PCIe RX	0	B17
B18	0	PCIe RX	0	B18
B19		GND		B19
B20	1	PCIe RX	1	B20
B21	1	PCIe RX	1	B21
B22		GND		B22
B23	2	PCIe RX	2	B23
B24	2	PCIe RX	2	B24
B25		GND		B25
B26	3	PCIe RX	3	B26
B27	3	PCIe RX	3	B27
B28		GND		B28
B29		KEY		B29
B30	4	PCIe RX	4	B30
B31	4	PCIe RX	4	B31
B32		GND		B32
B33	5	PCIe RX	5	B33
B34	5	PCIe RX	5	B34
B35		GND		B35
B36	6	PCIe RX	6	B36
B37	6	PCIe RX	6	B37
B38		GND		B38
B39	7	PCIe RX	7	B39
B40	7	PCIe RX	7	B40
B41		GND		B41
B42		SIDE BAND		B42

THIS DRAWING IS A CONTROLLED DOCUMENT.		DWN B. MATTHEWS 29AUG2019	 TE Connectivity	
DIMENSIONS: mm		CHK R. HENRY 29AUG2019		
		TOLERANCES UNLESS OTHERWISE SPECIFIED: 0 PLC ± 1 PLC ±0.5 2 PLC ±0.13 3 PLC ±0.013 4 PLC ±0.001 ANGLES ± FINISH ±		NAME SLIVER 2.0 2C 33AWG 100 OHM STRAIGHT TO RIGHT ANGLE
MATERIAL	-	APVD	PRODUCT SPEC	RESTRICTED TO
			APPLICATION SPEC	
		WEIGHT	SIZE	CAGE CODE
		CUSTOMER DRAWING	A200779	DRAWING NO. C-2361349
		SCALE	1:1	SHEET 3 OF 3
				REV B