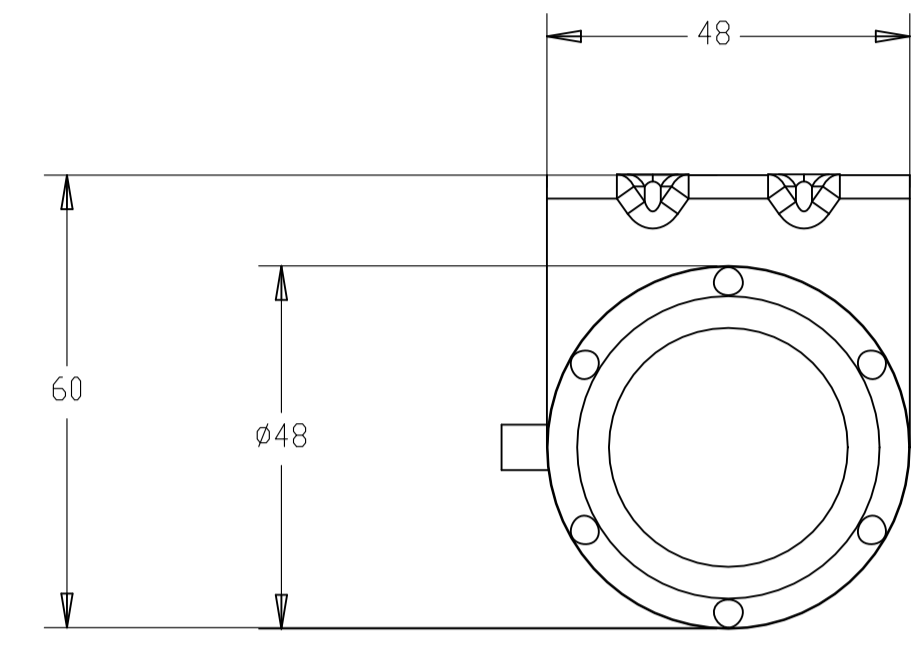
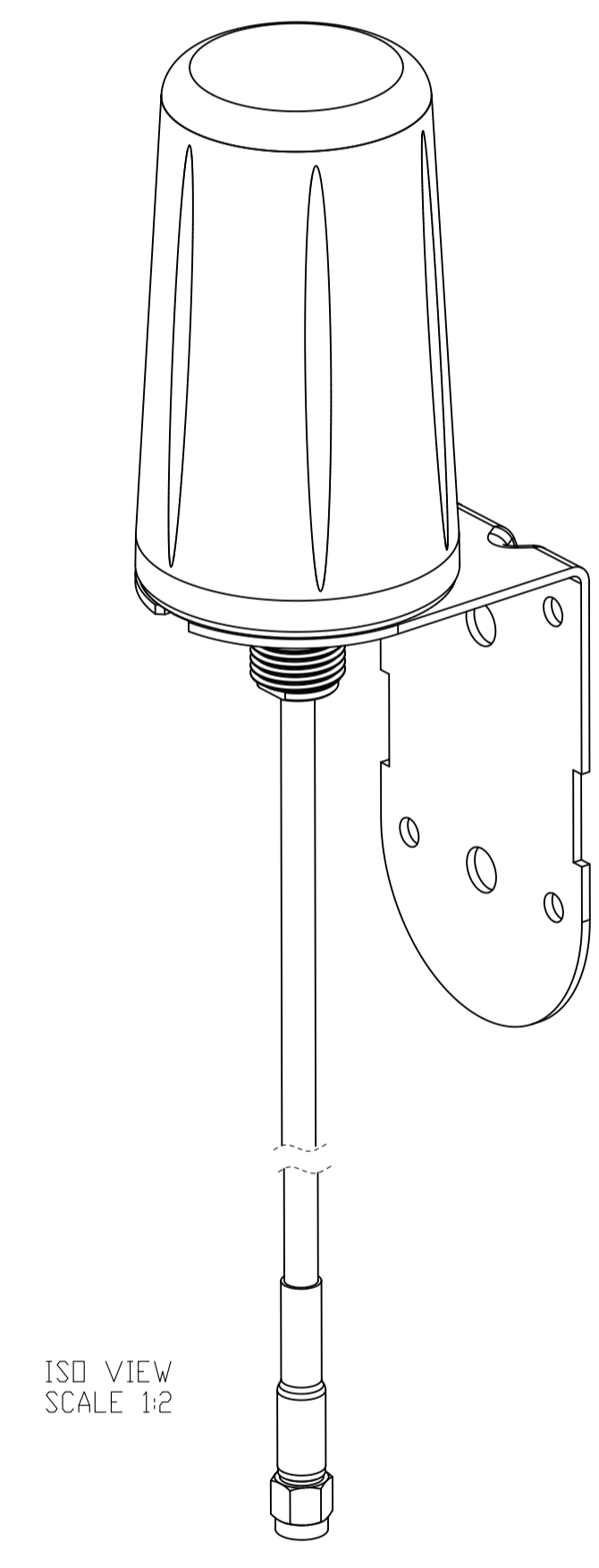
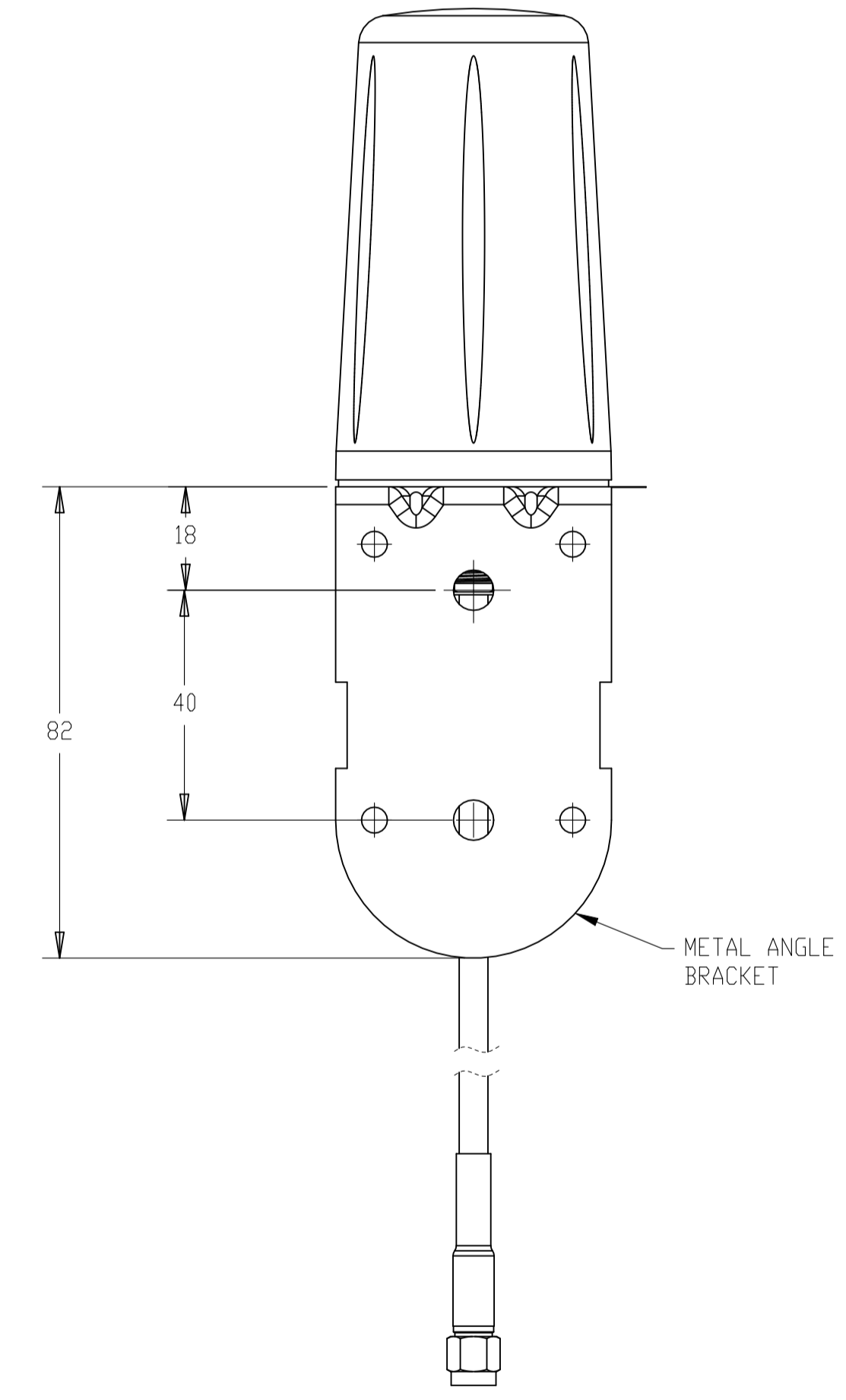
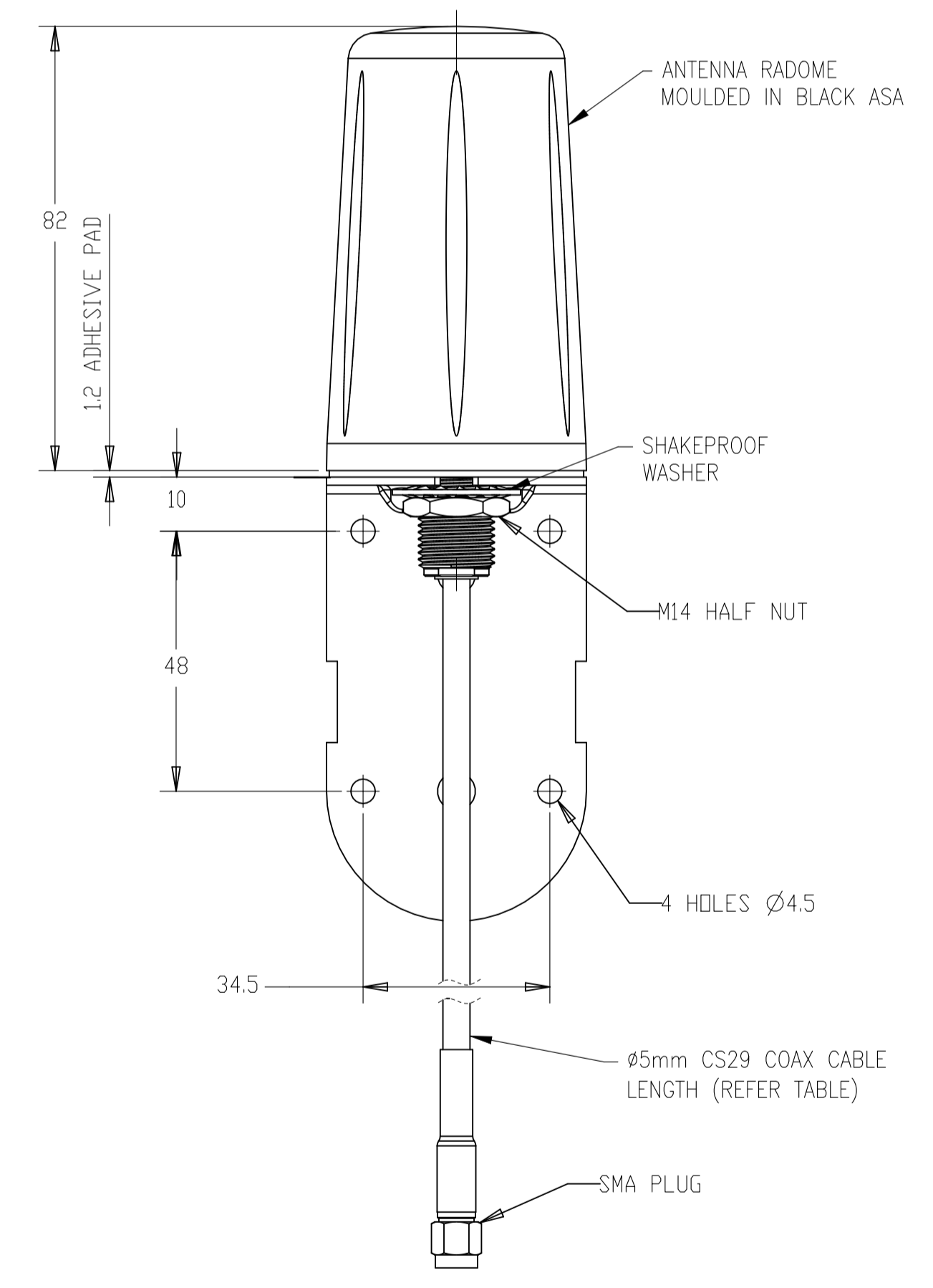


REVISIONS					
REV	DATE	DESCRIPTION	BY	CHK	APP'D
B	05JUL2022	TCPN 2363694-2 PART STATUS CHANGED	DW	CY	



- NOTES:
1. REFER DATASHEET: 2363694
 2. FREQUENCY RANGE:
ANTENNA 1: 698-960 / 1710-6000MHZ
 3. OPERATIONAL BAND: 2G/3G/4G/5G
 4. PATTERN: OMNI-DIRECTIONAL
 5. POLARIZATION: VERTICAL
 6. MAX. INPUT POWER: 30 WATTS
 7. OPERATING TEMPERATURE: -40 to +85° (-40 to 185° F)
 8. MATERIAL: ASA, ALUMINIUM, ZINC PLATED STEEL
 9. INGRESS PROTECTION RATING: IP66
 10. COLOUR: BLACK
 11. WEIGHT: 2363694-1=188g
2363694-2=372g



TE P/N	DESCRIPTION	CABLE LENGTH	TERMINATION
2363694-2	SISO BRACKET MOUNT 5G ANTENNA 5m	5 (17')	SMA PLUG
2363694-1	SISO BRACKET MOUNT 5G ANTENNA 0.5m	0.5 (1.5')	

THIS DRAWING IS A CONTROLLED DOCUMENT.

DIMENSIONS:	TOLERANCES UNLESS OTHERWISE SPECIFIED:	DWG NO	220CT2019
mm	0. PLC ± 0.5	CHK	GOPALAKRISHNA H.V.
	1. PLC ± 0.2	APP'D	GOPALAKRISHNA H.V.
	2. PLC ± 0.1	NAME	F. STELLINGA
	3. PLC ± 0.1	PRODUCT SPEC	
	4. PLC ± 0.1	APPLICATION SPEC	
	ANGLES ± 1°	SIZE	A1
MATERIAL	FINISH	CAGE CODE	00779
		DRAWING NO	2363694
		WEIGHT	
		CUSTOMER DRAWING	

SCALE: 1:1 SHEET 1 OF 1 REV B