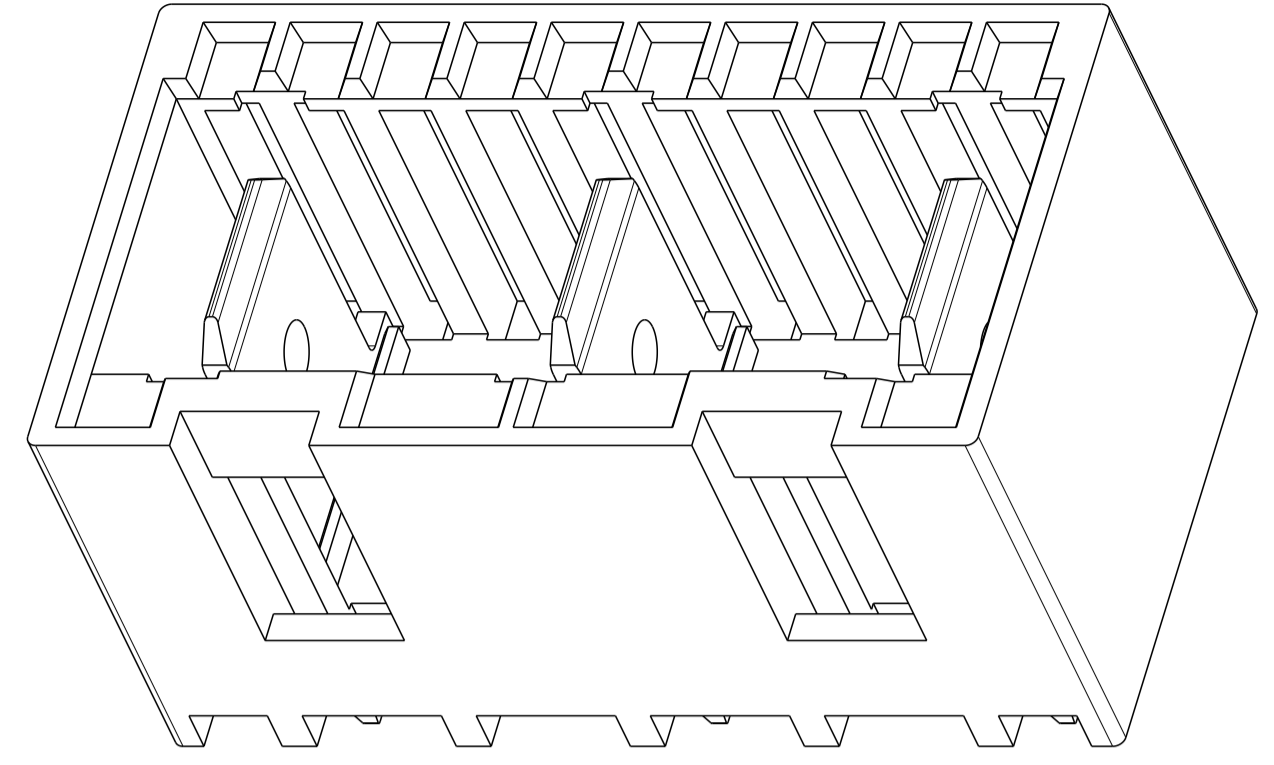
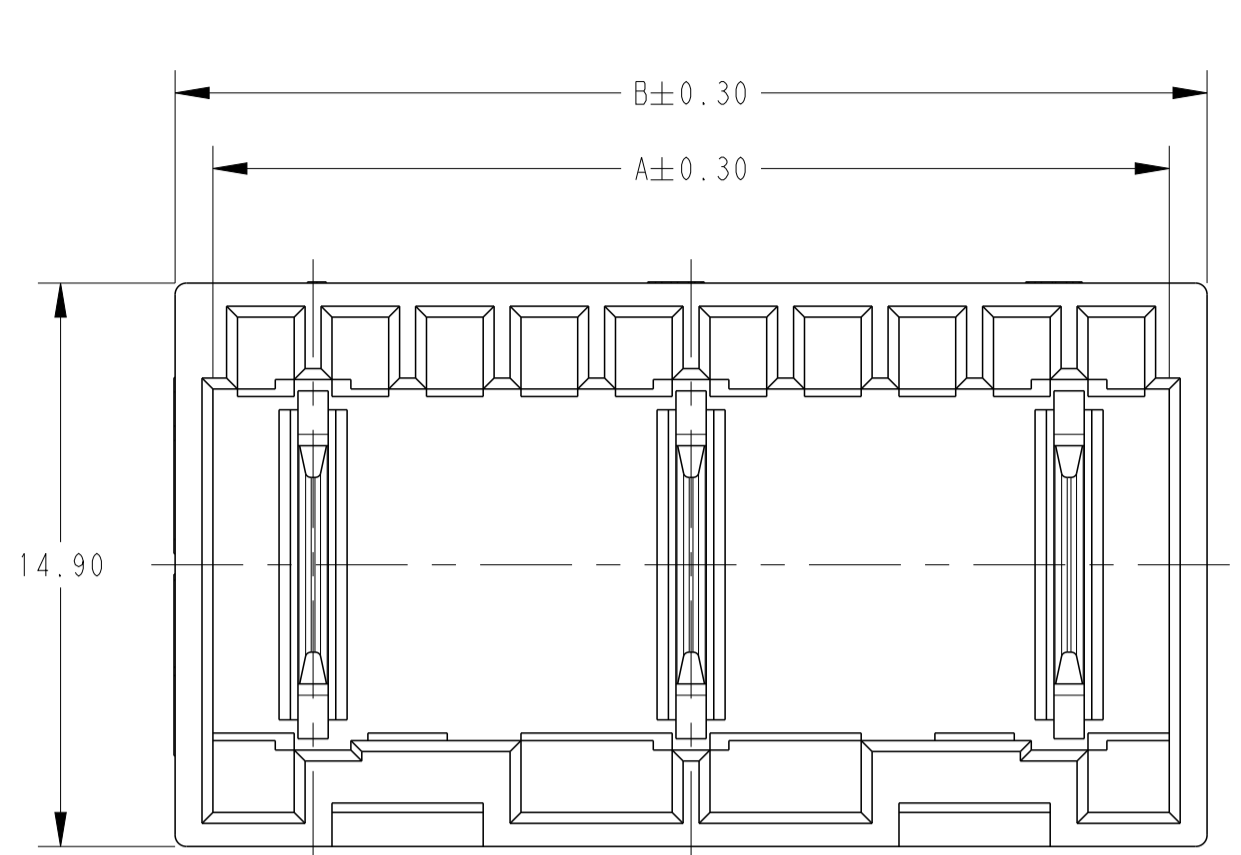
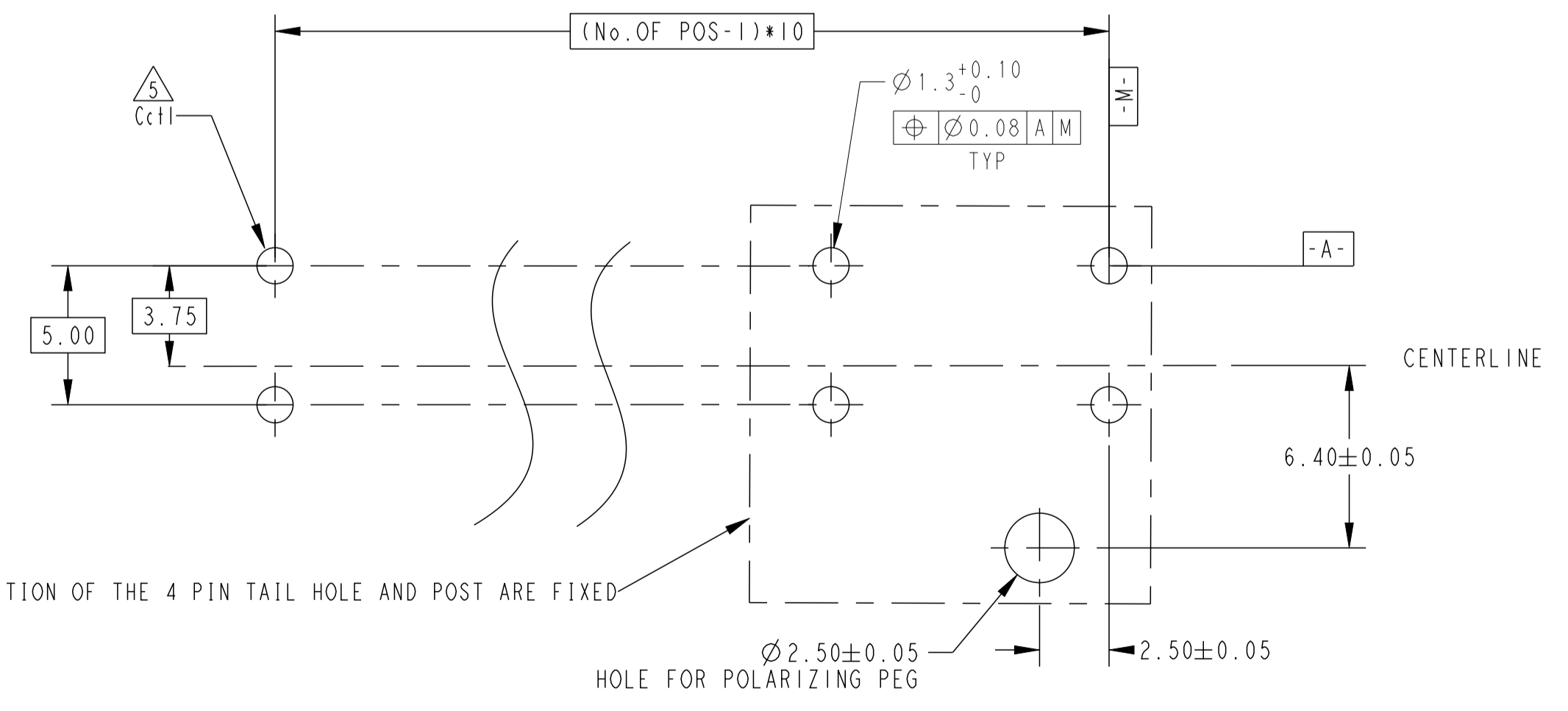
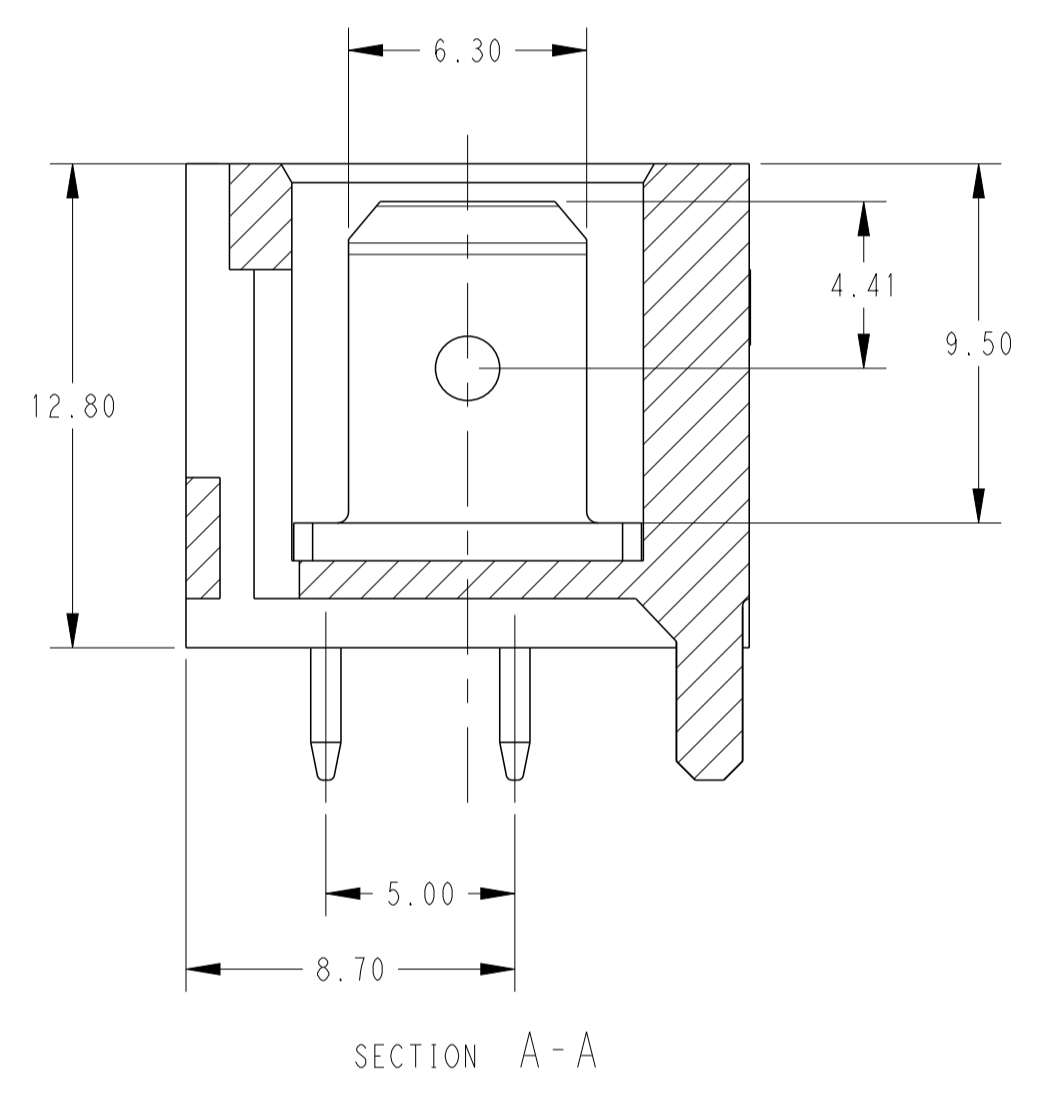
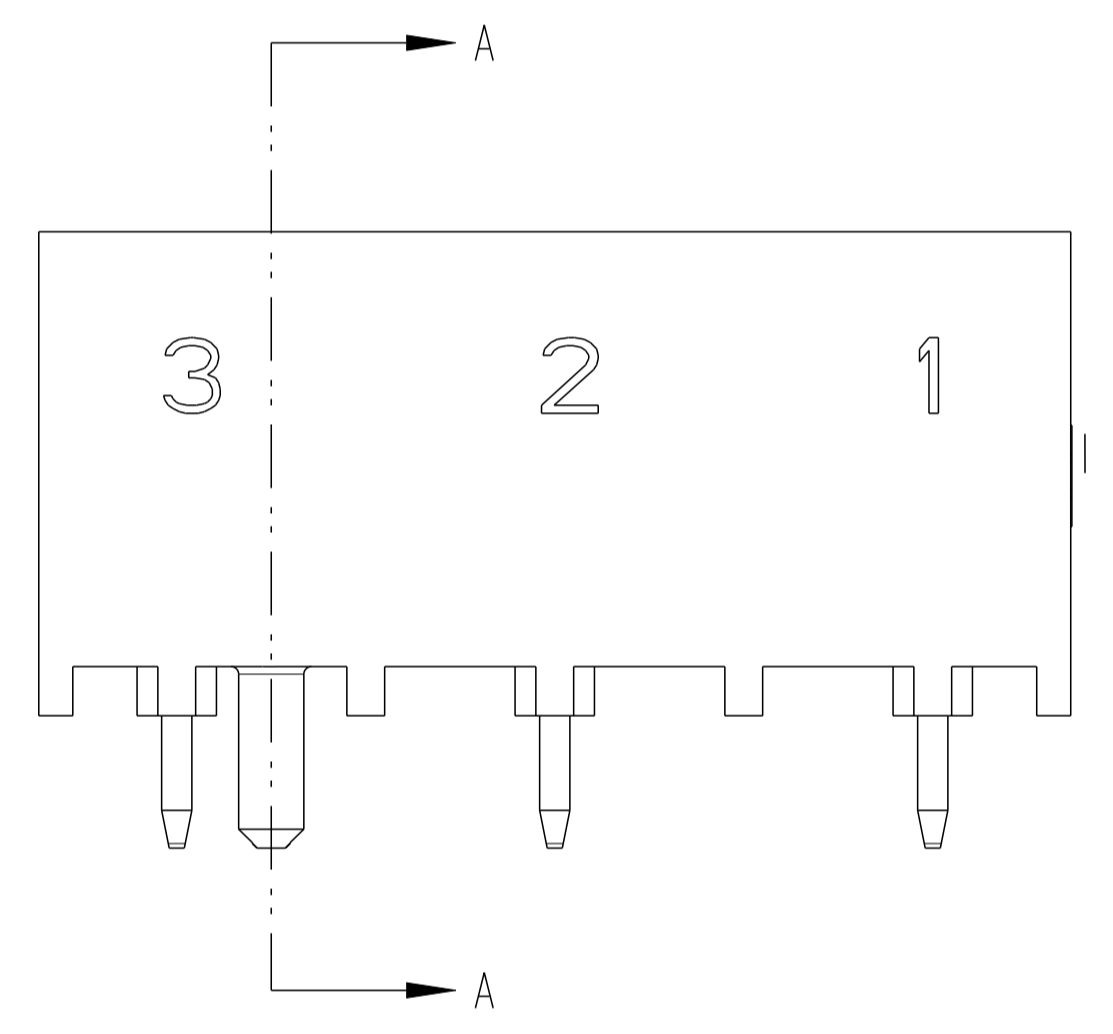
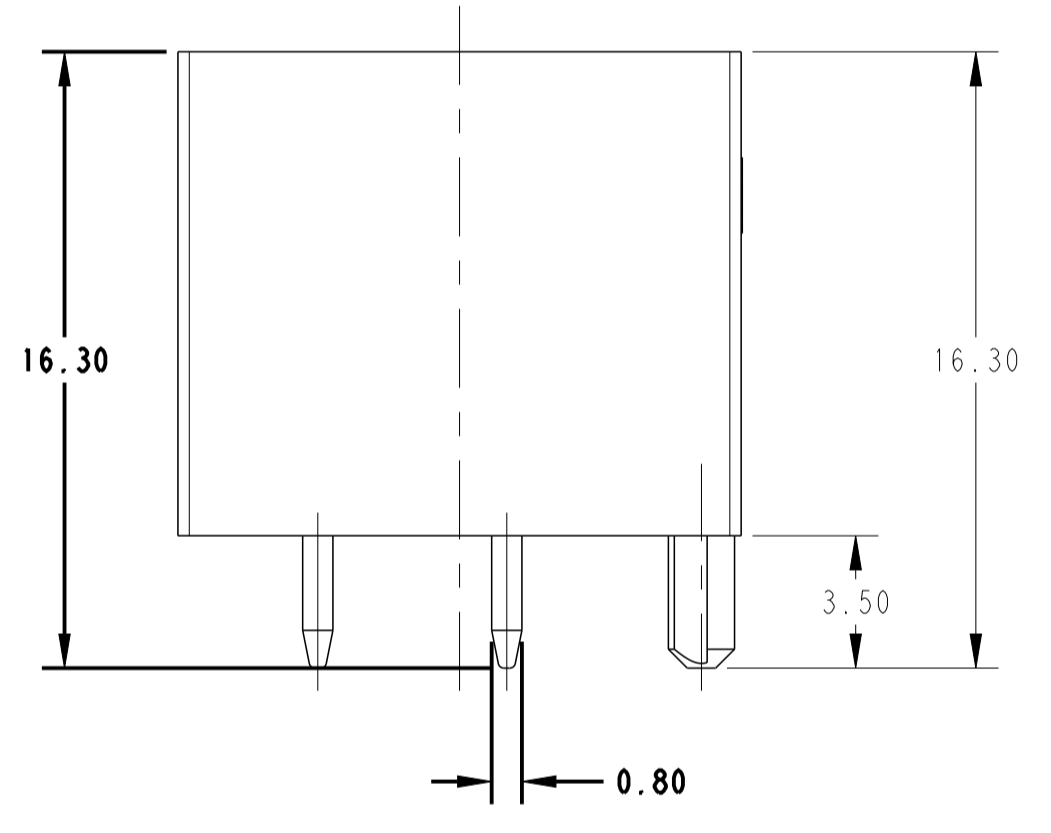
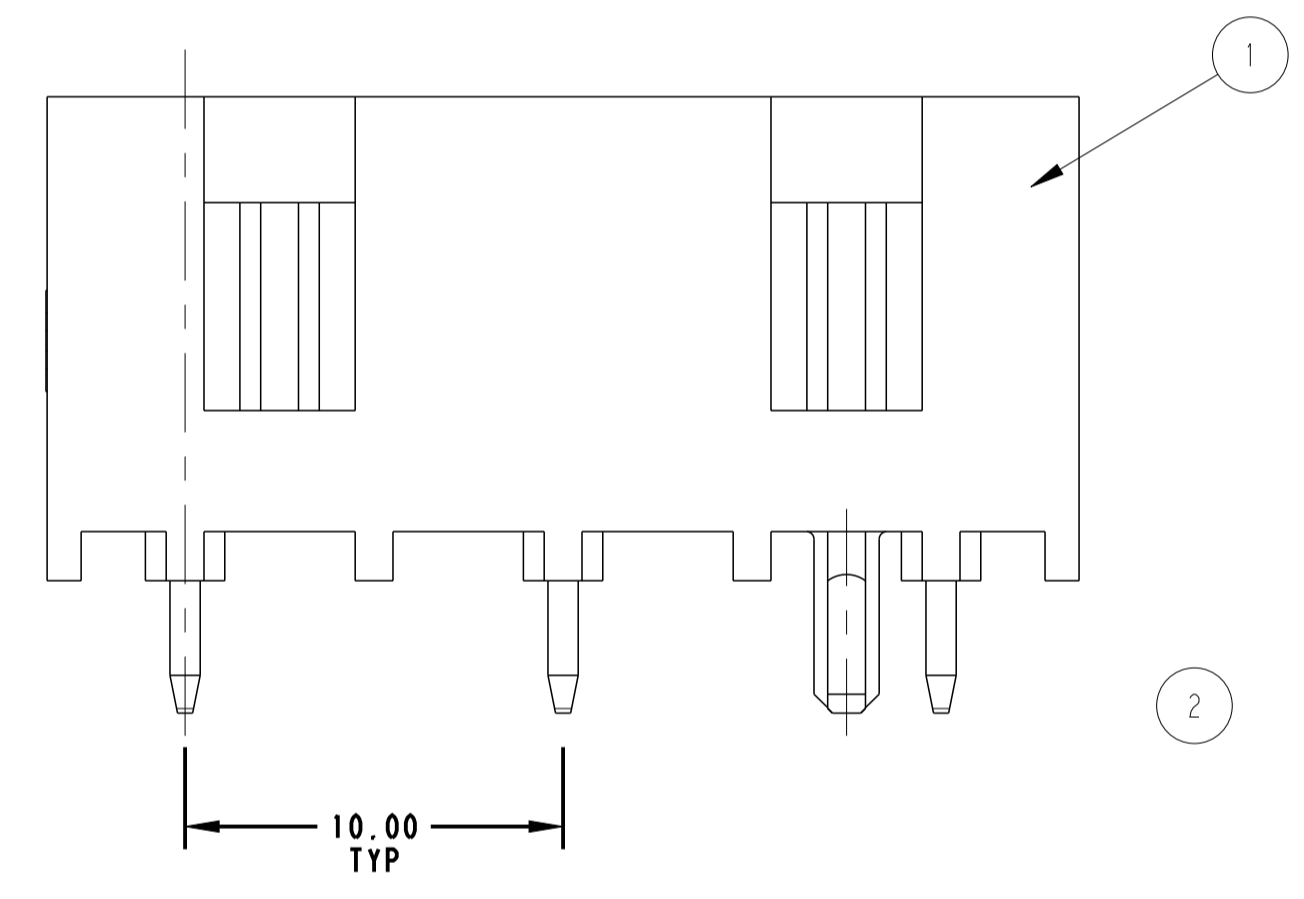


REVISIONS					
P	LTN	DESCRIPTION	DATE	DMN	APVD
A		INITIAL RELEASED	10FEB2022	KD	FL
B		ECR-22-138533	16MAY2022	KD	FL
B1		ECR-24-211411	17JUN2024	SP	FL
B2		ECR-24-213527	08JUL2024	SP	FL



- NOTE:
- SUITABLE WITH STANDARD TIMER HOUSING FOR 25A *-2364000-*
 - HOUSING HAS RAST 5 COMPLIANT TAB IS 6.30 X 0.8 ACCORDING TO DIN 46244
 - MATERIAL: HOUSING, NYLON, UL94-V0, GWEPTE 750°C NO FLAME ACCORDING TO IEC-60335-1 CONTACT, COPPER ALLOY, 0.8MM THICK
 - FINISH: CONTACTS, MATT TIN PLATING OVERALL, NICKEL UNDER-PLATING
 - PCB TABS INSERTED IN A LINEAR PATTERN BEGINNING WITH POSITION 1 (C_{C11})



THE POSITION OF THE 4 PIN TAIL HOLE AND POST ARE FIXED

RECOMMEND PCB LAYOUT - SOLDER SIDE
ODD NUMBER OF PINS
PCB 1.5±0.2 THICK

Q'TY	DESCRIPTION	Q'TY	DESCRIPTION	B	A	NO. OF POS.	PART NUMBER
4	TAB CONTACT W/ MATT TIN PLATING	1	TAB HEADER HOUSING, 4P	37.3	35.3	4	2364002-4
3		1	TAB HEADER HOUSING, 3P	27.3	25.3	3	2364002-3
2		1	TAB HEADER HOUSING, 2P	17.3	15.3	2	2364002-2

THIS DRAWING IS A CONTROLLED DOCUMENT.

DMN: BASAVARAJA D A 09 JUN 2020
CHK: K I DEOK CHEON 09 JUN 2020
APVD: K I DEOK CHEON 09 JUN 2020

NAME: ASSEMBLY, TAB HEADER ASSY FOR 10mm PITCH, DIN STYLE, TH, VERTICAL

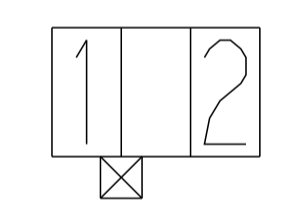
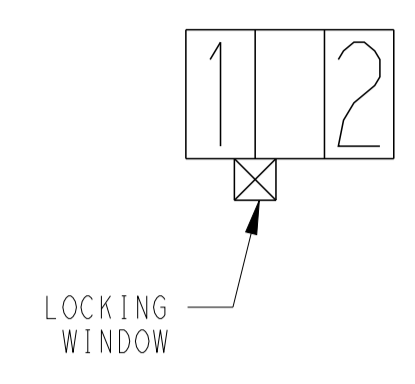
PRODUCT SPEC: 108-106080
APPLICATION SPEC:

SIZE: A | 00779 | C=2364002
WEIGHT: -
CUSTOMER DRAWING

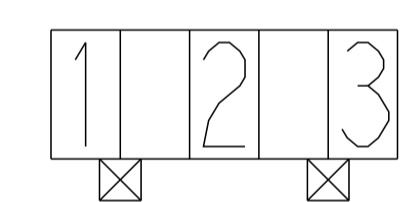
SCALE: 5:1 SHEET 1 OF 2 REV B2

REVISIONS				
P	LTN	DESCRIPTION	DATE	APVD
-		SEE SHEET 1	-	-

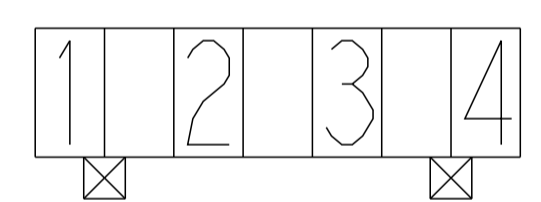
PICTORIAL VIEW



2364002-2



2364002-3



2364002-4

THIS DRAWING IS A CONTROLLED DOCUMENT.		DWN: BASAVARAJA D A 09 JUN 2020 CHK: K I DEOK CHEON 09 JUN 2020 APVD: K I DEOK CHEON 09 JUN 2020	
DIMENSIONS: mm	TOLERANCES UNLESS OTHERWISE SPECIFIED: 0 PLC ±0.25 1 PLC ±0.25 2 PLC ±0.25 3 PLC ±0.25 4 PLC ±0.25 ANGLES ±° FINISH ±5°	NAME: ASSEMBLY, TAB HEADER ASSY FOR 10mm PITCH, DIN STYLE, TH, VERTICAL PRODUCT SPEC: 108-106080 APPLICATION SPEC:	
		SIZE: A 00779 C=2364002 WEIGHT: - MATERIAL: - FINISH: -	RESTRICTED TO: - SCALE: 5:1 SHEET: 2 OF 2 REV: B2 CUSTOMER DRAWING