

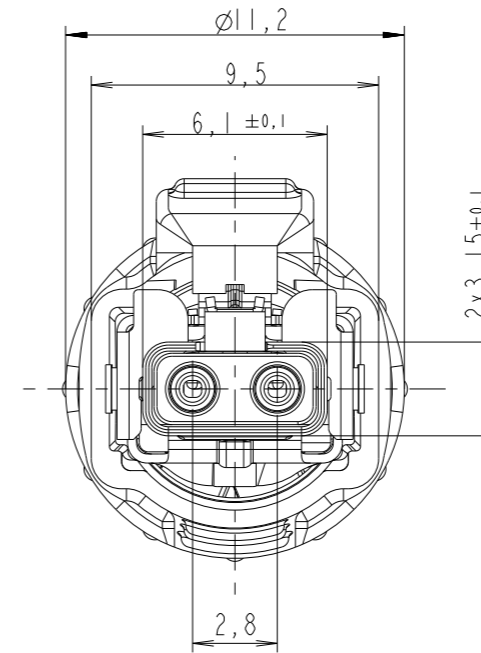
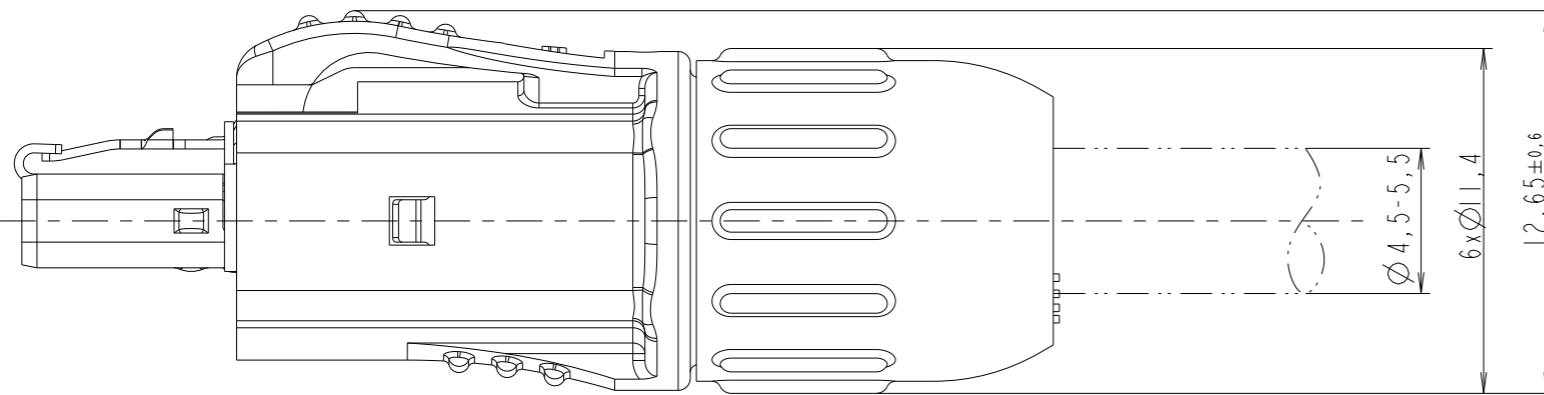
THIS DRAWING IS UNPUBLISHED.

RELEASED FOR PUBLICATION

20

© COPYRIGHT 2020 TE Connectivity. All Rights Reserved. ALL RIGHTS RESERVED.

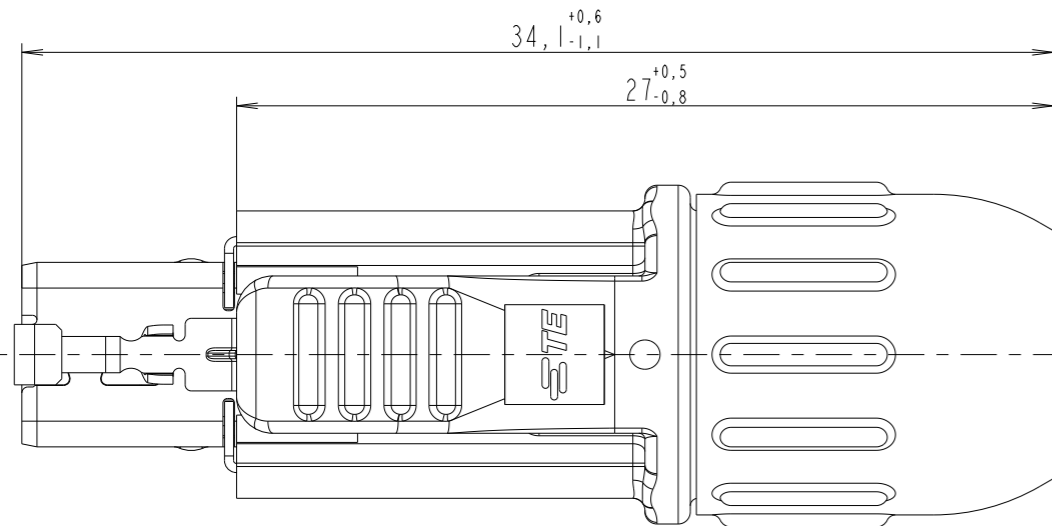
LOC	DIST	REVISIONS				
P	LTR	DESCRIPTION	DATE	DWN	APVD	
-	-	A	RELEASE TO PRODUCTION	22JUN2022	SS	PP



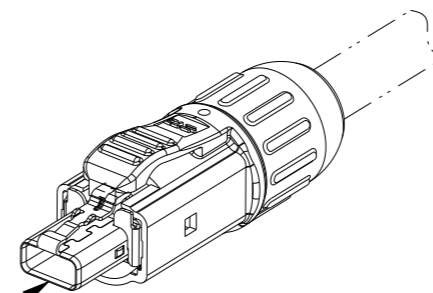
contact 1 2

NOTES:

1. PRODUCT AS SHOWN WILL BE DELIVERED AS KIT:
- WITHOUT CONTACTS AND CABLE.
2. FOR AVAILABLE CONTACTS TYPES SEE DRAWING:
- 2368258
3. FOR AVAILABLE CABLE TYPES SEE DRAWING:
- 2368259 FOR SPE CABLE AWG 26;
- 2368898 FOR SPE CABLE AWG 22.
4. COUNTERPART P/N 2364151
5. ALL DIMENSIONS WITHOUT TOLERANCES ARE REF. DIMENSIONS.




mating face acc. to IEC 63171-6



CONTACT	PMA SIGNAL
1	BI_DA+
2	BI_DA-

2364150-1	100 PIECES
PART NO:	PACKAGING:

THIS DRAWING IS A CONTROLLED DOCUMENT.		DWN	S SHARMA	14JUN2022	 TE Connectivity	NAME	SPE T1 INDUSTRIAL PLUG IP20 KIT				
DIMENSIONS: mm		CHK	P POORTER	16JUN2022			PRODUCT SPEC	-			
TOLERANCES UNLESS OTHERWISE SPECIFIED:		APVD	J DE BRUIJN	20JUN2022				APPLICATION SPEC	-		
0 PLC ±- 1 PLC ±- 2 PLC ±- 3 PLC ±- 4 PLC ±- ANGLES ±- FINISH -		PRODUCT SPEC	108-19502					SIZE	CAGE CODE	DRAWING NO	RESTRICTED TO
MATERIAL -		APPLICATION SPEC	114-19163		WEIGHT	A3 00779 ©-2364150		-			
CUSTOMER DRAWING					SCALE	NTS		SHEET 1 OF 1	REV A		

PRODUCT AS SHOWN WITH CONTACTS (TO BE ORDERED SEPARATELY)