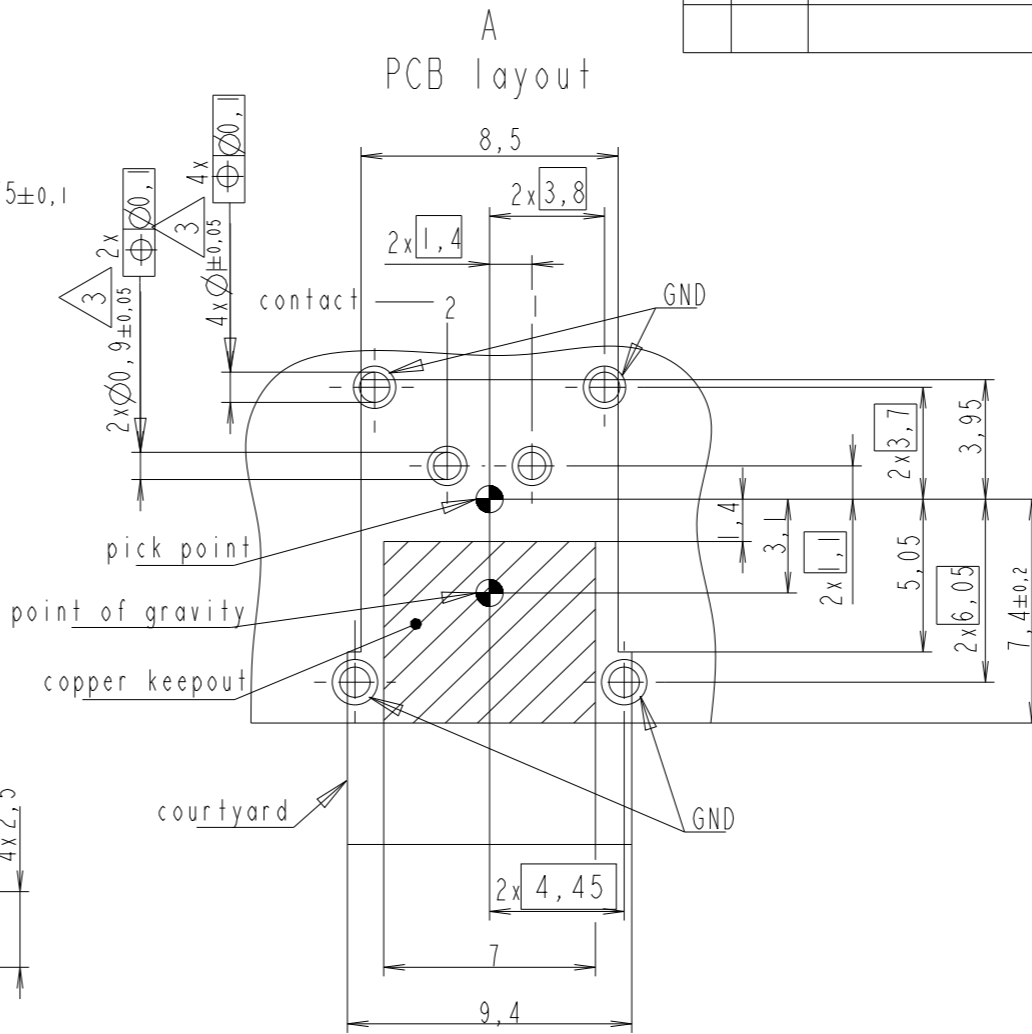
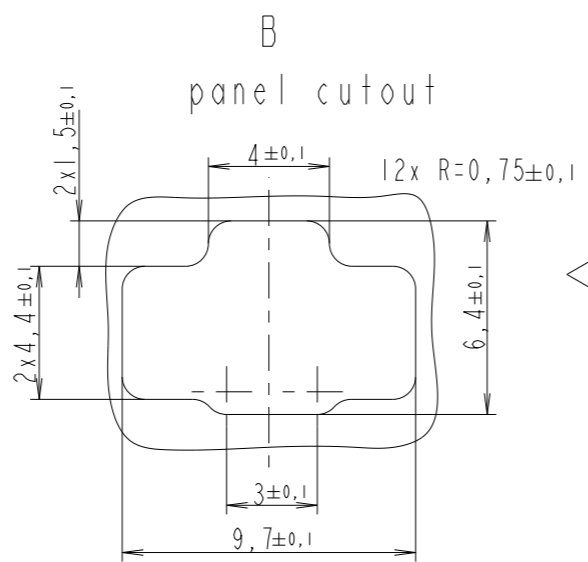
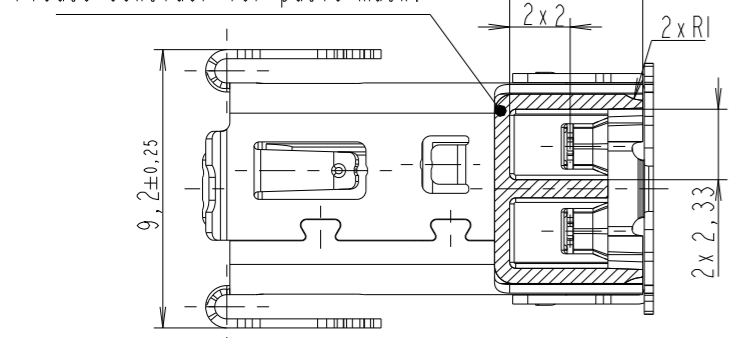


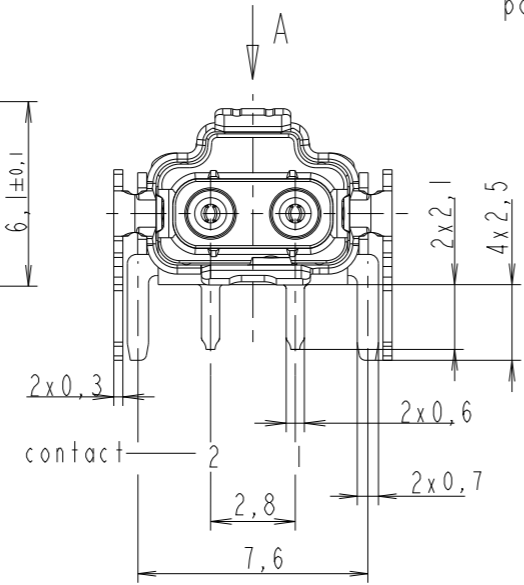
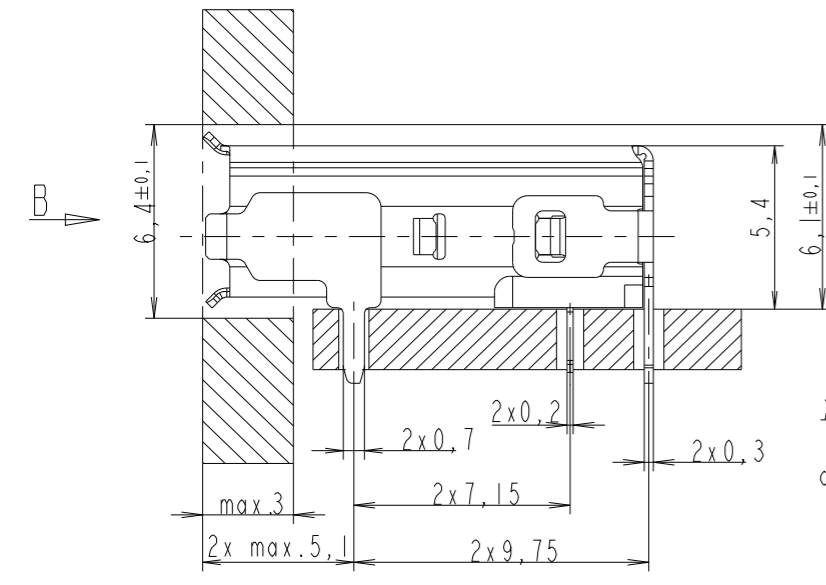
REVISIONS

P	LTR	DESCRIPTION	DATE	DWN	APVD
	A	RELEASE TO PRODUCTION	22JUN2022	SS	PP

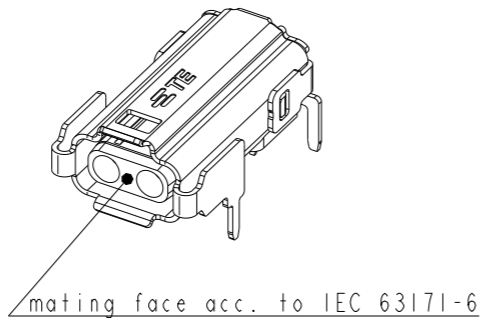
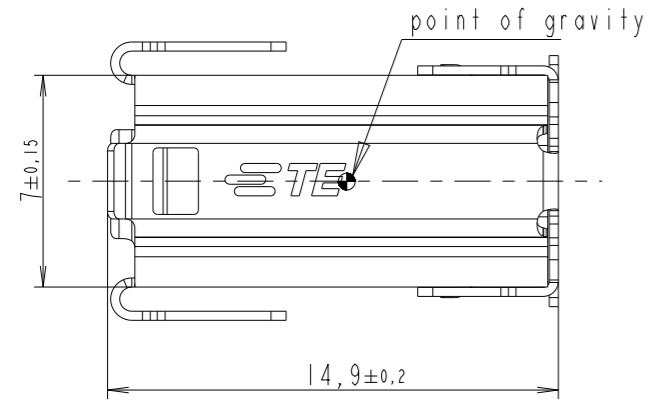
This plastic surface touches the PCB. Please consider for paste mask.



- NOTES:
- COUNTERPART P/N 2364150-X
  - MORE PACKAGING INFO SEE LAST SHEET
  - ALL HOLES ARE FINISHED DIAMETER
  - ALL DIMENSIONS WITHOUT TOLERANCES ARE REF. DIMENSIONS.



CONTACT	PMA signal
1	BI_DA+
2	BI_DA-



THIS DRAWING IS A CONTROLLED DOCUMENT.

DIMENSIONS: mm	TOLERANCES UNLESS OTHERWISE SPECIFIED.
	0 PLC ±
	1 PLC ±0,1
	2 PLC ±0,01
	3 PLC ±0,001
	4 PLC ±0,0001
	ANGLES ±
MATERIAL	FINISH
-	-

DWN	S SHARMA	14JUN2022
CHK	P POORTER	16JUN2022
APVD	J DE BRUIJN	20JUN2022
PRODUCT SPEC	108-19502	
APPLICATION SPEC	114-19163	
WEIGHT	-	
CUSTOMER DRAWING		

2364151-1		400 PIECES	
TE PART NUMBER		PACKAGING	
TE Connectivity			
NAME: SPE TI INDUSTRIAL R/A JACK IP20			
SIZE	CAGE CODE	DRAWING NO	RESTRICTED TO
A3	00779	©-2364151	
SCALE: NTS		SHEET: 1 OF 1	REV: A