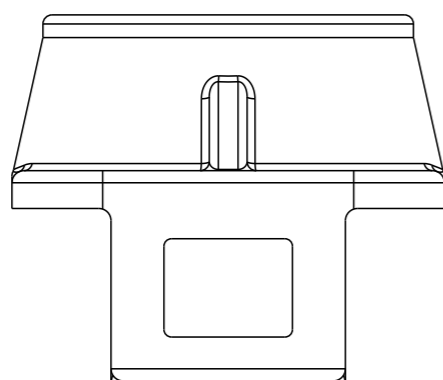
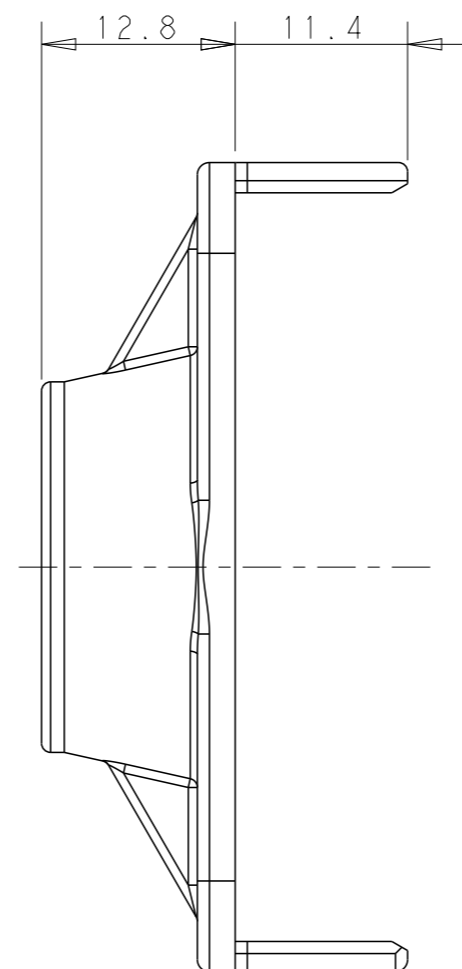
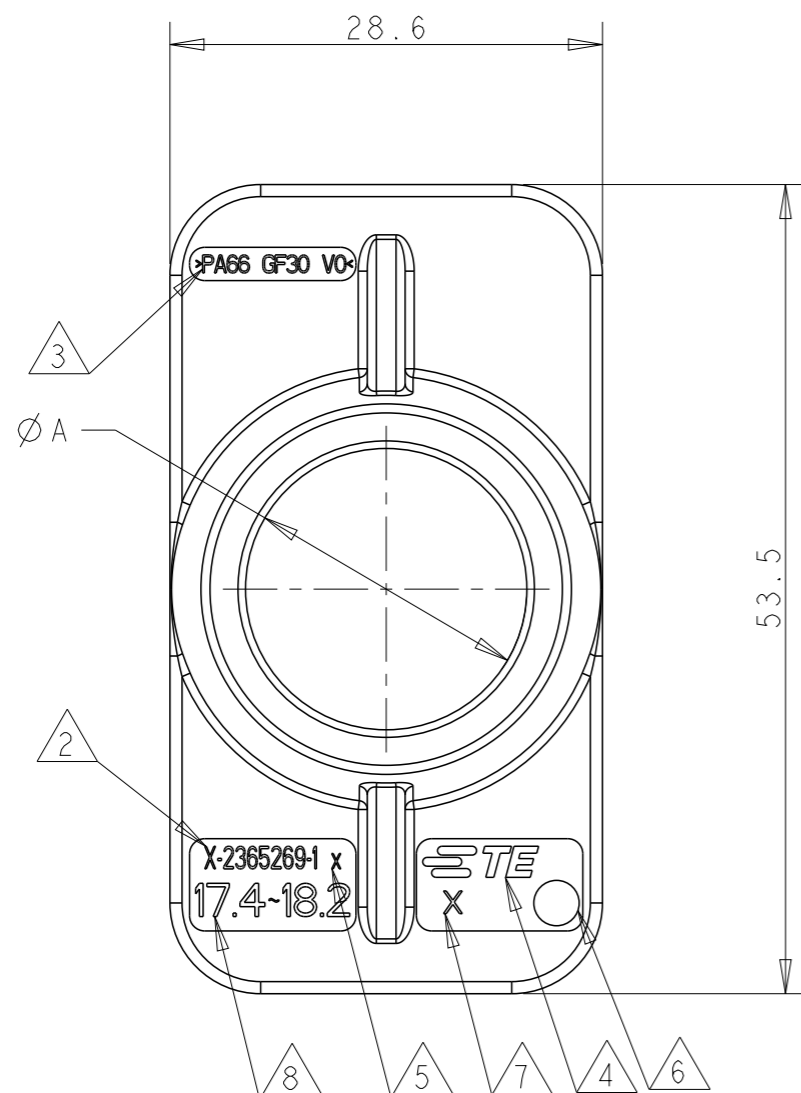


REVISIONS

P	LTR	DESCRIPTION	DATE	DWN	APVD



- 1. MATERIAL: PA66 GF30 V0, ORANGE
- △2 TE PART NUMBER MARKING
- △3 MATERIAL MARKING
- △4 TE LOGO MARKING
- △5 CAVITY MARKING
- △6 MANUFACTURE DATE MARKING
- △7 PART VISION MARKING
- △8 CABLE SIZE MARKING ACCRODING TO TABLE
- △9 PART FOR CABLE SIZE 70mm<sup>2</sup> OD 17.4~18.2mm
- △10 PART FOR CABLE SIZE 95mm<sup>2</sup> OD 20.1~20.9mm
- △11 PART FOR CABLE SIZE 95mm<sup>2</sup> OD 19.1~19.9mm

3-2365269-1	20.3	△11
2-2365269-1	21.3	△10
2365269-1	18.6	△9
TE PN	DIM A	FOR CABLE SIZE

THIS DRAWING IS A CONTROLLED DOCUMENT.		DWN D. DI 15MAR2021	TE Connectivity	
DIMENSIONS: mm		CHK E. JIANG 15MAR2021		
TOLERANCES UNLESS OTHERWISE SPECIFIED: ±0.3 0 PLC ±- 1 PLC ±0.5 2 PLC ±0.13 3 PLC ±0.013 4 PLC ±0.0001 ANGLES ±-		APVD E. JIANG 15MAR2021	NAME 2POS, 21MM, CABLE SEAL COVER	
		PRODUCT SPEC 108-160128	RESTRICTED TO -	
MATERIAL		APPLICATION SPEC 114-160072	SIZE A3	CAGE CODE 00779
FINISH		WEIGHT	DRAWING NO C-2365269	SCALE 2:1
CUSTOMER DRAWING			SHEET 1 OF 1	REV A