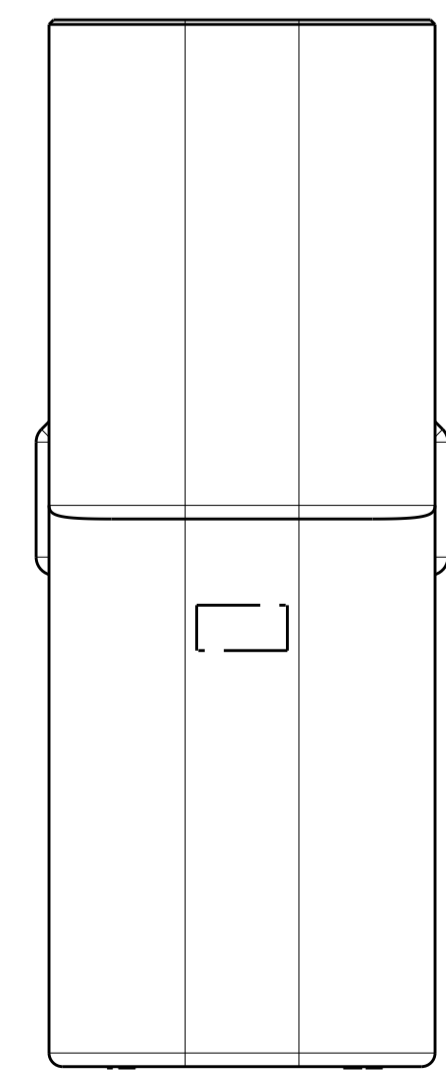
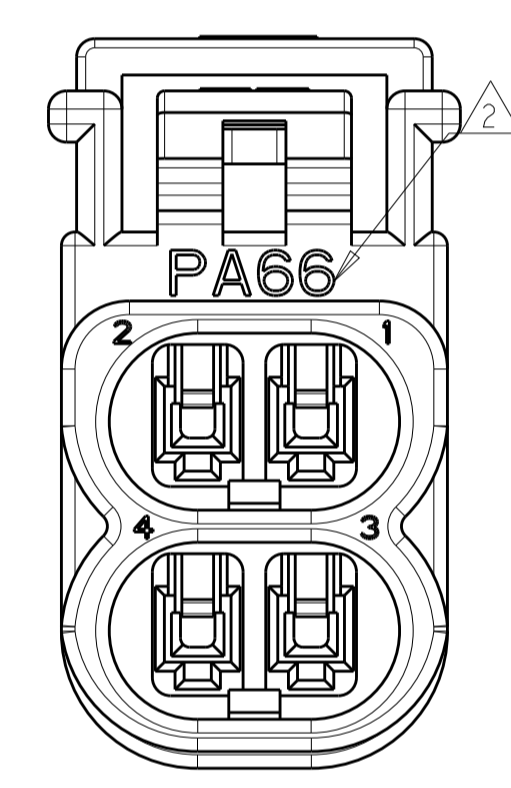
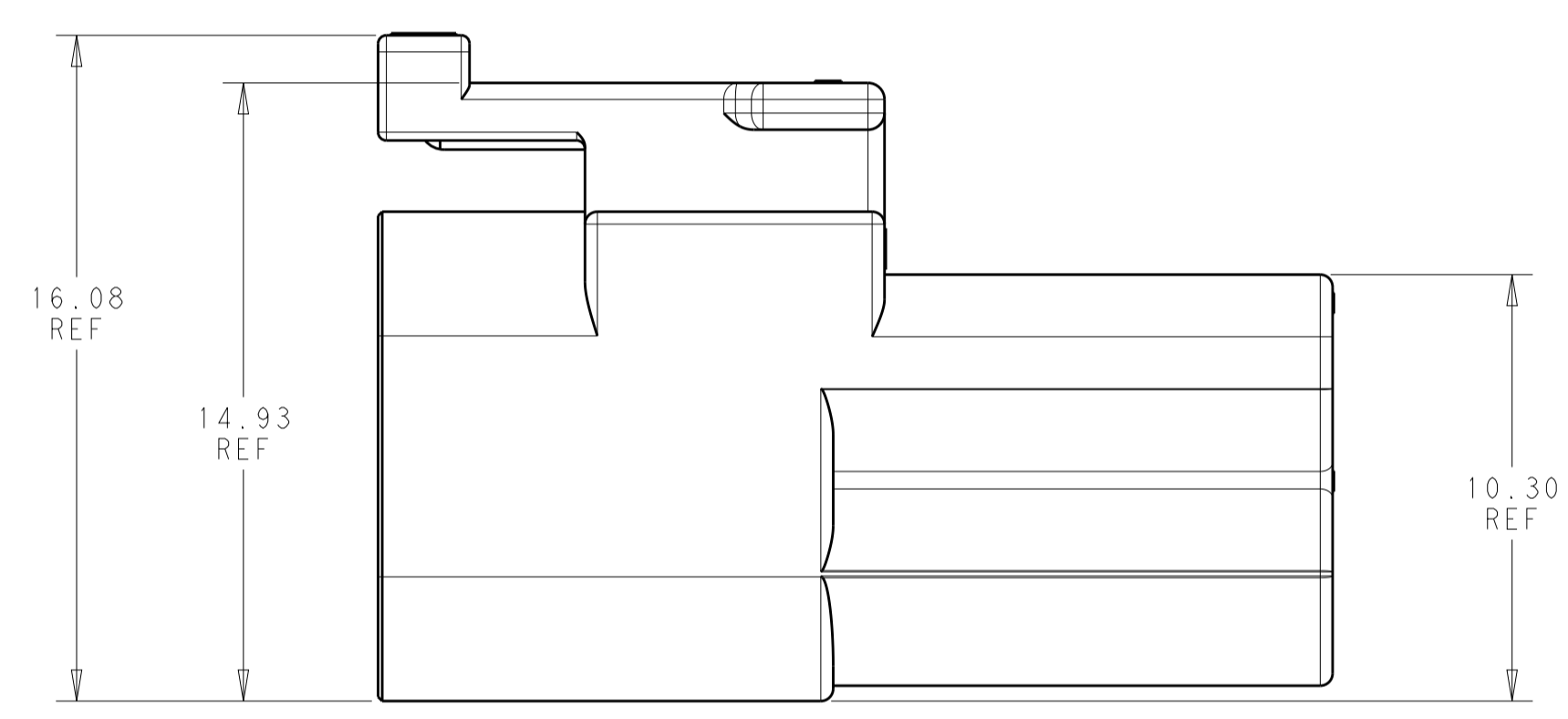
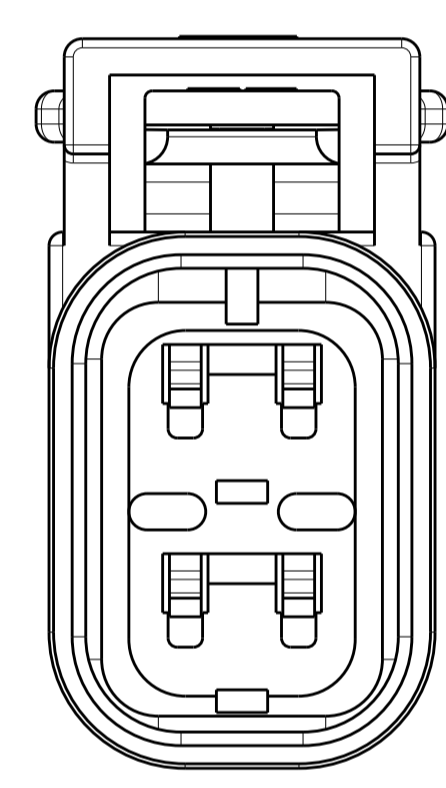
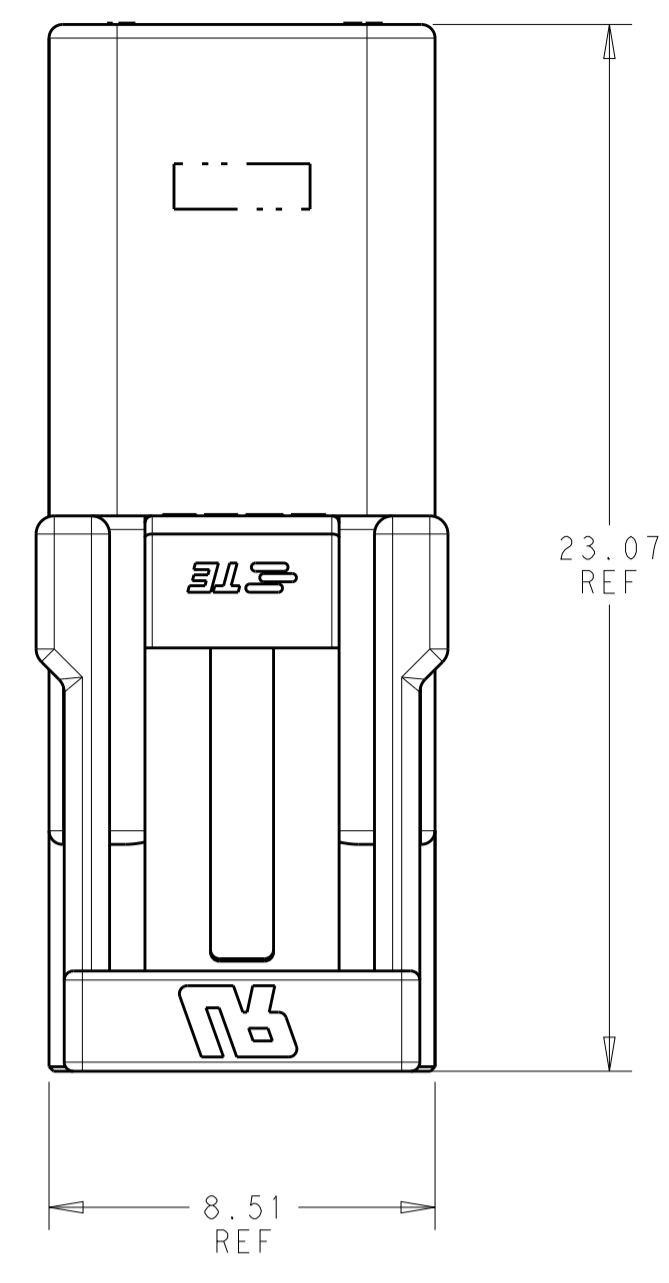
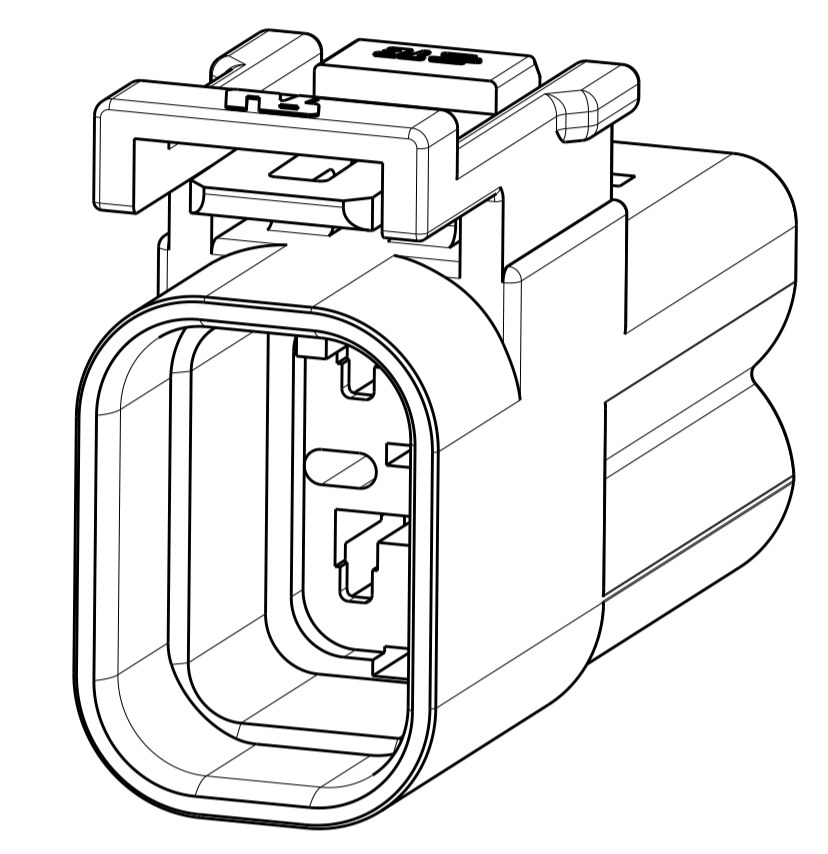


REVISIONS				
P.	LTN	DESCRIPTION	DATE	APVD
A		RELEASED PER ECO-20-008224	12JUN2020	BKW SF



- 1 MATERIAL: PA66 COLOR: NATURAL
- 2 MATERIAL MARK: PA66
- 3. PRELIMINARY PART - NOT RELEASED FOR PRODUCTION
THIS PRODUCT HAS NOT COMPLETED QUALIFICATION TESTING



2*2 (4 POSN)	2366249-4
POSN	PART NUMBER

THIS DRAWING IS A CONTROLLED DOCUMENT.		DWN: B. WEAVER 04DEC2019	TE Connectivity NAME: CAP HOUSING, SDL 2.5 WATERPROOF PRODUCT SPEC: 108-143069 APPLICATION SPEC: 114-143067 SIZE: A1 CAGE CODE: 2366249 DRAWING NO: 00779	RESTRICTED TO: -	
DIMENSIONS: mm		CHK: S. FERNANDES 04DEC2019		MATERIAL: PA66 FINISH: - CUSTOMER DRAWING	SCALE: 6:1
TOLERANCES UNLESS OTHERWISE SPECIFIED:		APVD: J. MARSH 04DEC2019			SHEET 1 OF 1
0 PLC ±	1 PLC ±0.25	WEIGHT: -			REV: A
2 PLC ±	3 PLC ±	ANGLES ±			