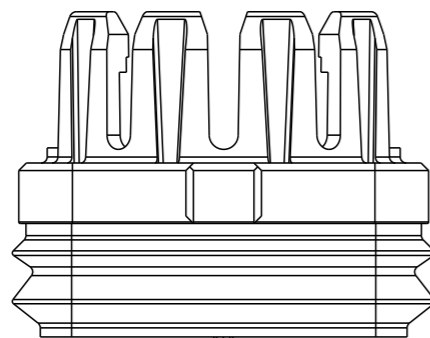
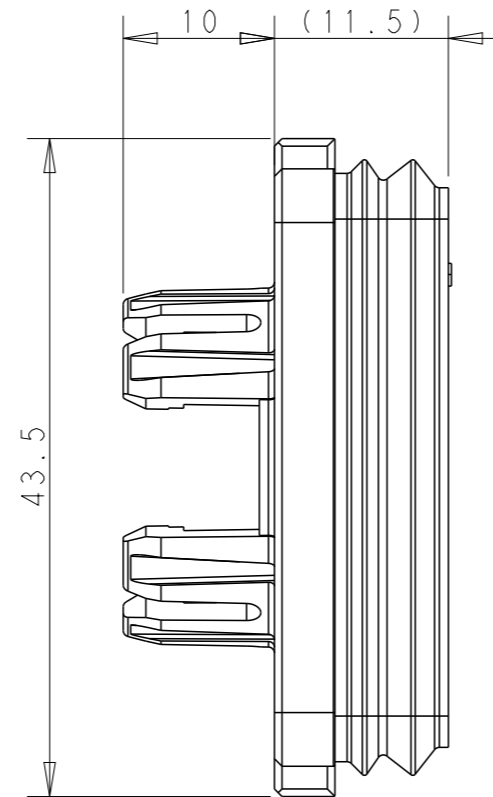
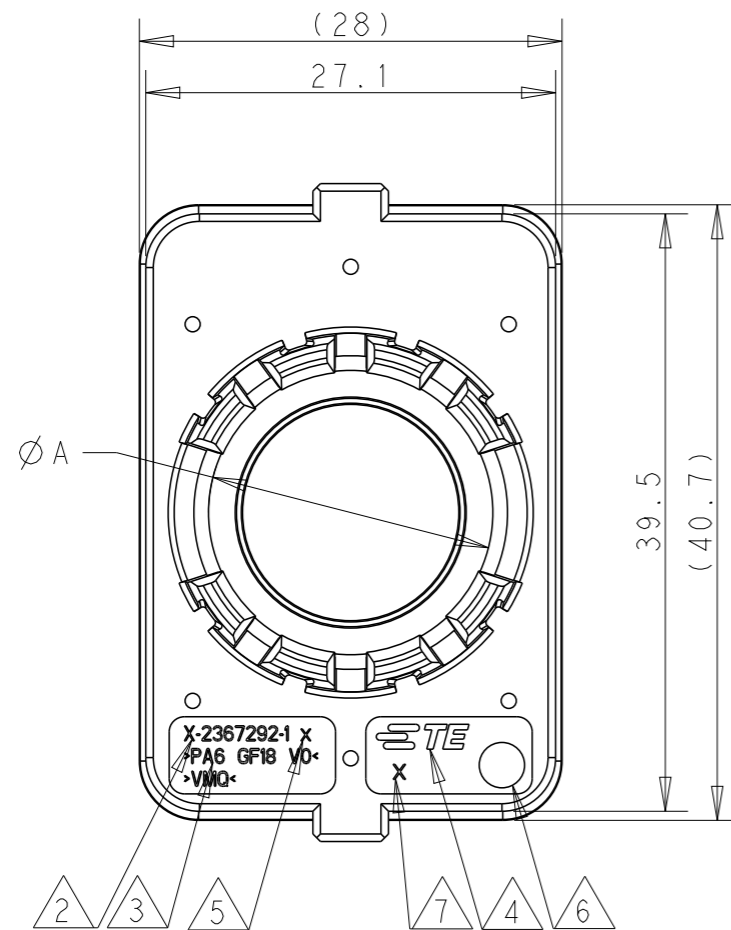


P	LTR	DESCRIPTION	DATE	DWN	APVD
	A	INITIAL RELEASED	03NOV2020	D. D	E. J
	A1	ADD NEW PART	23DEC2021	W. Z	E. J
	A2	UPDATED DRAWING	7MAR2022	W. Z	E. J
	A3	NEW PART	19APR2022	W. Z	E. J



- MATERIAL A: PA6 GF18 V0 ORANGE  
 B: SILICONE, BLUE FOR 2367292-1  
 GREEN FOR 2-2367292-1, GRAY FOR 3-2367292-1  
 BROWN FOR 5-2367292-1

- △2 TE PART NUMBER MARKING
- △3 MATERIAL MARKING
- △4 TE LOGO MARKING
- △5 CAVITY MARKING
- △6 MANUFACTURE DATE MARKING
- △7 PART VISION MARKING
- △8 PART FOR CABLE SIZE 70mm<sup>2</sup> OD 17.4~18.2mm
- △9 PART FOR CABLE SIZE 95mm<sup>2</sup> OD 20.1~20.9mm
- △10 PART FOR CABLE SIZE 95mm<sup>2</sup> OD 19.1~19.9mm
- △11 PART FOR CABLE SIZE 50mm<sup>2</sup> OD 15.2~15.8mm
- △12 PART FOR CABLE SIZE 70mm<sup>2</sup> (UNSHIELDED) OD 14.3~15.1mm

TE PN	DIM A	FOR CABLE SIZE
6-2367292-1	15.7	△12
5-2367292-1	16.4	△11
3-2367292-1	20.5	△10
2-2367292-1	21.5	△9
2367292-1	18.8	△8

THIS DRAWING IS A CONTROLLED DOCUMENT.		DWN D. DI	03NOV2020	TE Connectivity	
DIMENSIONS: mm		CHK E. JIANG	03NOV2020		
TOLERANCES UNLESS OTHERWISE SPECIFIED: ±0.3		APVD E. JIANG	03NOV2020	NAME 2POS, 21MM, CABLE SEAL CLIP, ASSY	
0 PLC ±- 1 PLC ±- 2 PLC ±- 3 PLC ±- 4 PLC ±- ANGLES ±-		PRODUCT SPEC 108-32575	SIZE A3		
MATERIAL		APPLICATION SPEC 114-32326	CAGE CODE 00779		DRAWING NO C-2367292
FINISH		WEIGHT	RESTRICTED TO		
		CUSTOMER DRAWING	SCALE 2:1	SHEET 1 OF 1	REV A3