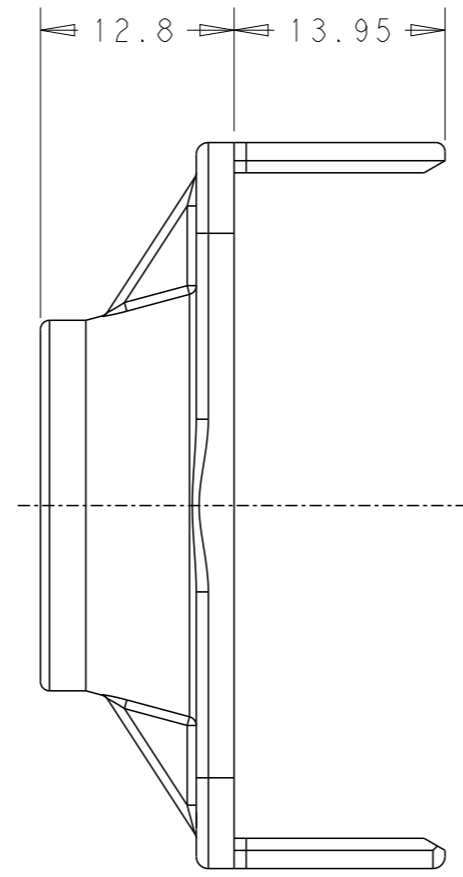
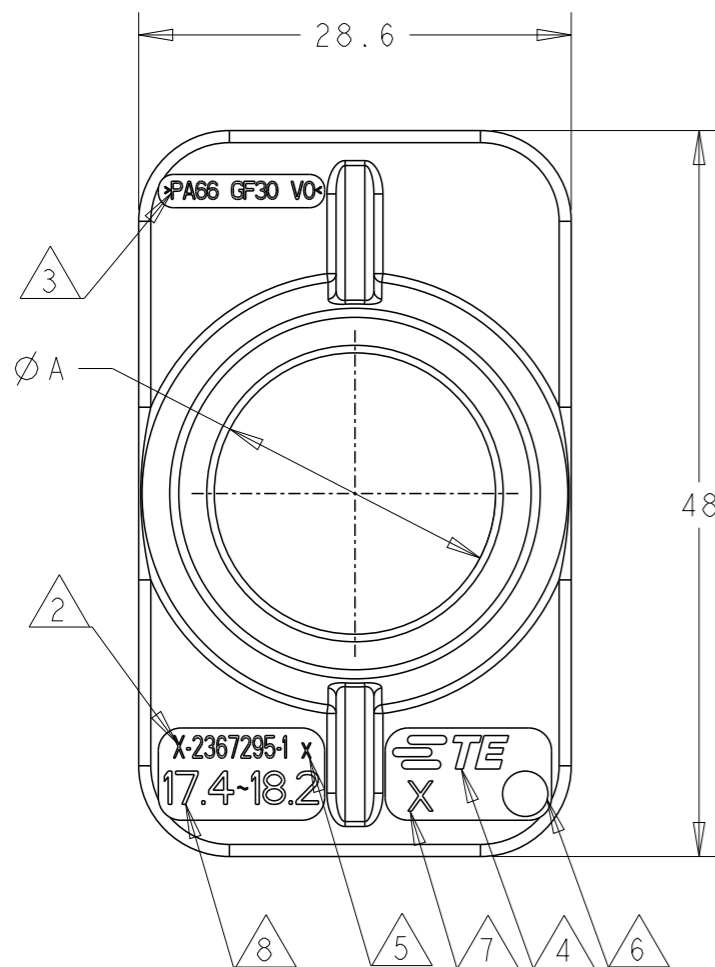
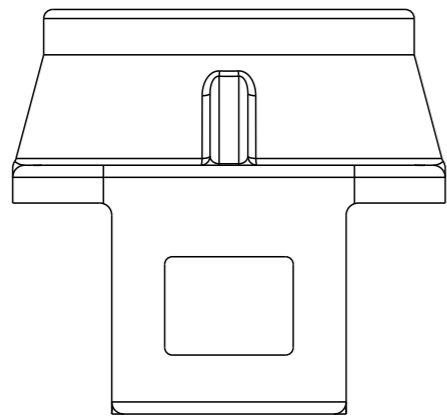


P	LTR	DESCRIPTION	DATE	DWN	APVD
	A	INITIAL RELEASED	09NOV2020	D.D	E.J
	A1	DRAWING UPDATED	26AUG2021	W.Z	E.J
	A2	NEW PART	19APR2022	W.Z	E.J



1. MATERIAL: PA66 GF30 V0, ORANGE
2. TE PART NUMBER MARKING
3. MATERIAL MARKING
4. TE LOGO MARKING
5. CAVITY MARKING
6. MANUFACTURE DATE MARKING
7. PART VISION MARKING
8. CABLE SIZE MARKING ACCRODING TO TABLE
9. PART FOR CABLE SIZE 70mm² OD 17.4~18.2mm
10. PART FOR CABLE SIZE 95mm² OD 20.1~20.9mm
11. PART FOR CABLE SIZE 95mm² OD 19.1~19.9mm
12. PART FOR CABLE SIZE 50mm² OD 15.2~15.8mm
13. PART FOR CABLE SIZE 70mm² (UNSHIELDED) OD 14.3~15.1mm



TE PN	DIM A	FOR CABLE SIZE
6-2367295-1	15.5	13
5-2367295-1	16.2	12
3-2367295-1	20.3	11
2-2367295-1	21.3	10
2367295-1	18.6	9

THIS DRAWING IS A CONTROLLED DOCUMENT.		DWN D.D	09NOV2020	STE TE Connectivity											
DIMENSIONS: mm		CHK E. JIANG	09NOV2020												
TOLERANCES UNLESS OTHERWISE SPECIFIED: ±0.3		APVD E. JIANG	09NOV2020												
<table border="1"> <tr><td>0 PLC</td><td>±-</td></tr> <tr><td>1 PLC</td><td>±-</td></tr> <tr><td>2 PLC</td><td>±-</td></tr> <tr><td>3 PLC</td><td>±-</td></tr> <tr><td>4 PLC</td><td>±-</td></tr> <tr><td>ANGLES</td><td>±-</td></tr> </table>		0 PLC	±-		1 PLC	±-	2 PLC	±-	3 PLC	±-	4 PLC	±-	ANGLES	±-	PRODUCT SPEC 108-32575
0 PLC	±-														
1 PLC	±-														
2 PLC	±-														
3 PLC	±-														
4 PLC	±-														
ANGLES	±-														
MATERIAL		APPLICATION SPEC 114-32326	WEIGHT	SIZE A3											
		CUSTOMER DRAWING	SCALE 2:1	CAGE CODE 00779											
				DRAWING NO 2367295											
				RESTRICTED TO -											
				SHEET 1 OF 1											
				REV A2											