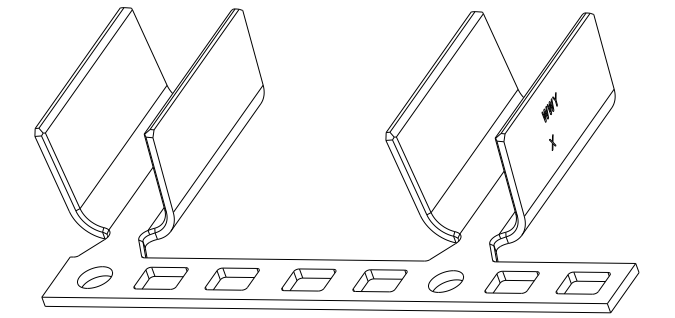
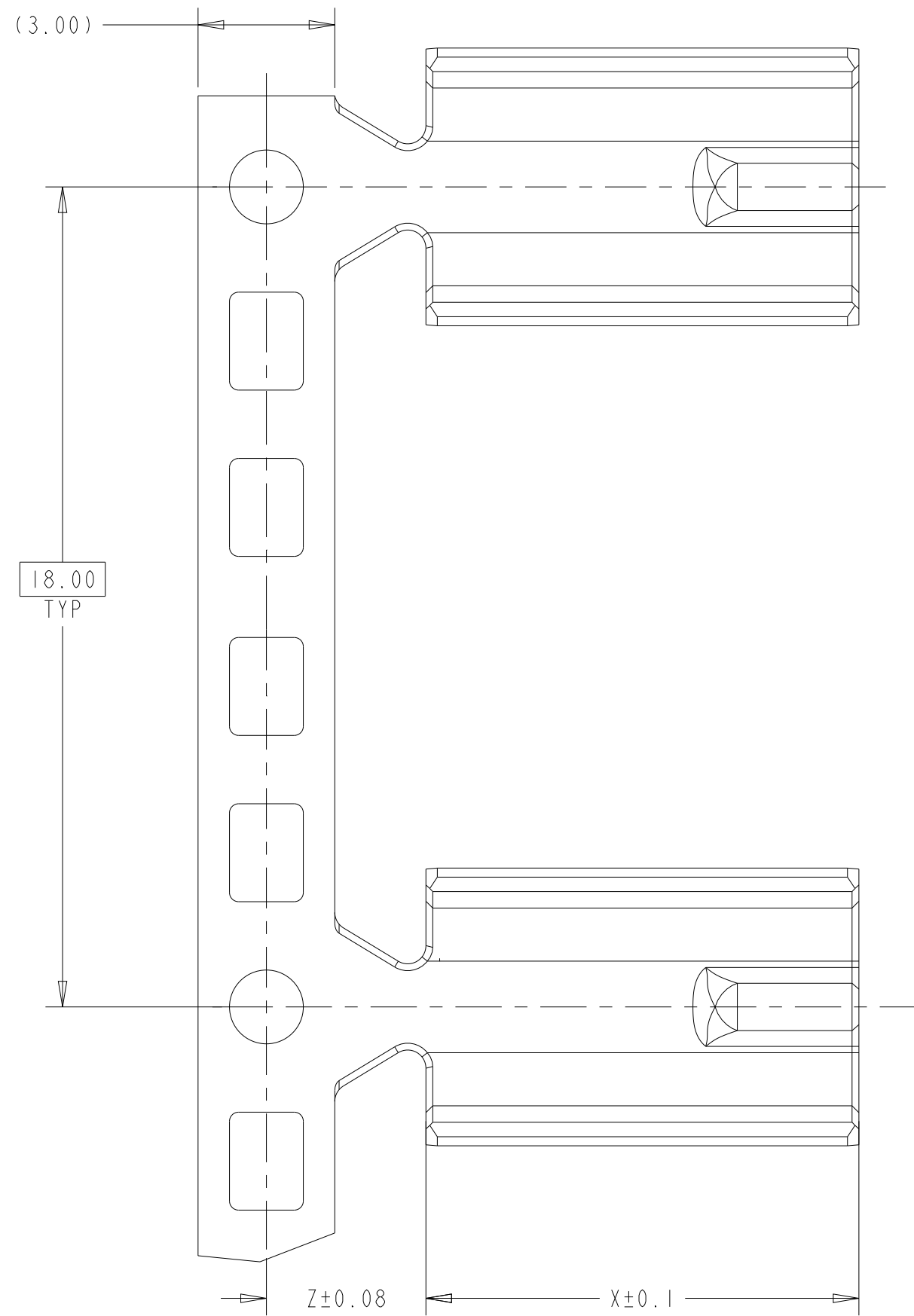
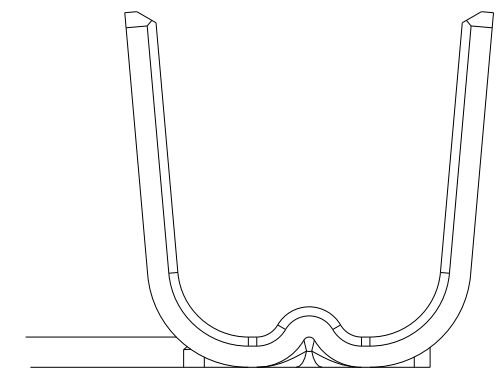
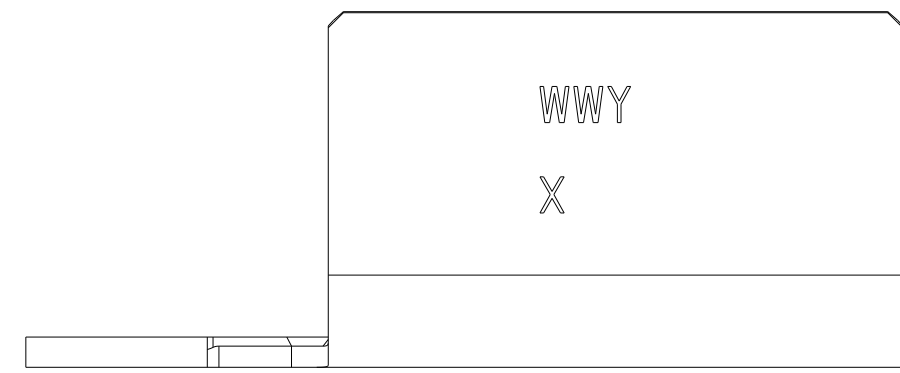
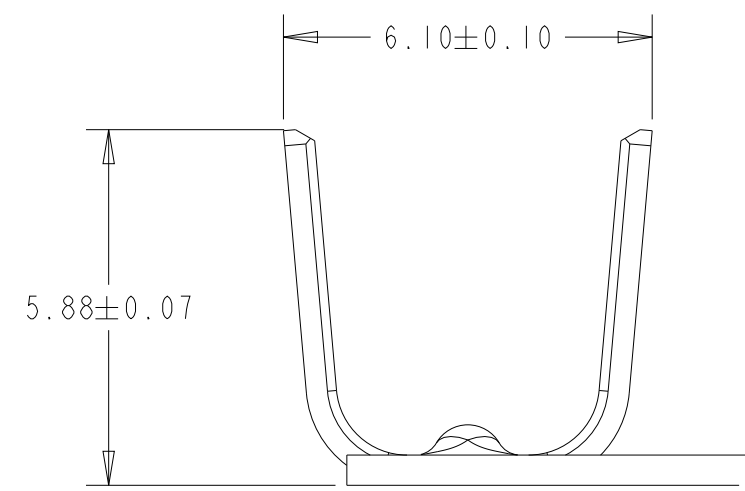


REVISIONS					
P	LTR	DESCRIPTION	DATE	DWN	APVD
B6		ECR-23-178511	13JUN2023	NR	DJ
B7		ECR-23-184101	14AUG2023	NR	DJ
B8		ECR-23-184290	16AUG2023	NR	DJ
C		ECR-23-191050	30OCT2023	NR	DJ



ISOMETRIC VIEW  
SCALE 3:1



- 1 MATERIAL: COPPER
- 2 FINISH: 1.0µm MIN TIN
- 3. 2368028-1 AS SHOWN
- 4. PACKAGED ON REEL

3.50	9.50	DACAR 686-3	2368028-3	C
3.50	11		2368028-2	B
4.25	8.75		2368028-1	B
Z	X	CABLE TYPE	PART NUMBER	REV

THIS DRAWING IS A CONTROLLED DOCUMENT.

DIMENSIONS: mm	TOLERANCES UNLESS OTHERWISE SPECIFIED: 0 PLC ± 1 PLC ± 2 PLC ± 3 PLC ± 4 PLC ± ANGLES ± FINISH	DWN J. A. BAKER 02JUN2020 CHK N. SCHROLL 02JUN2020 APVD N. SCHROLL 02JUN2020 PRODUCT SPEC - APPLICATION SPEC 114-32334 WEIGHT -	NAME OUTER FERRULE, 180 DEG, GEMNET - SIZE A2 CAGE CODE 00779 DRAWING NO C-2368028 RESTRICTED TO
MATERIAL 1	FINISH 2	CUSTOMER DRAWING	SCALE 8:1 SHEET 1 OF 1 REV C